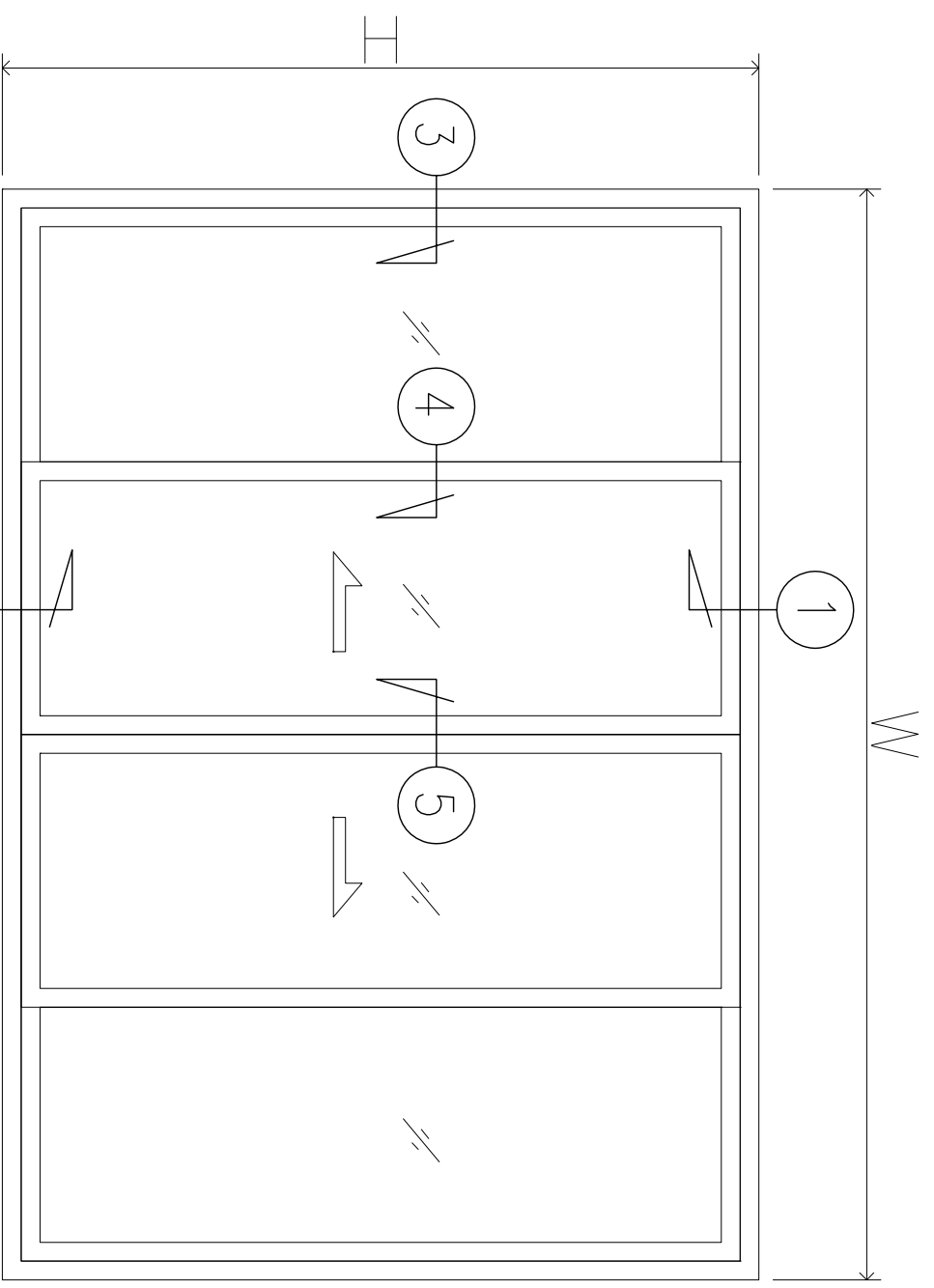
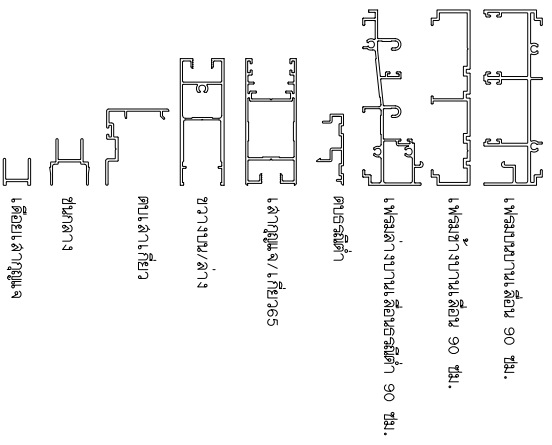


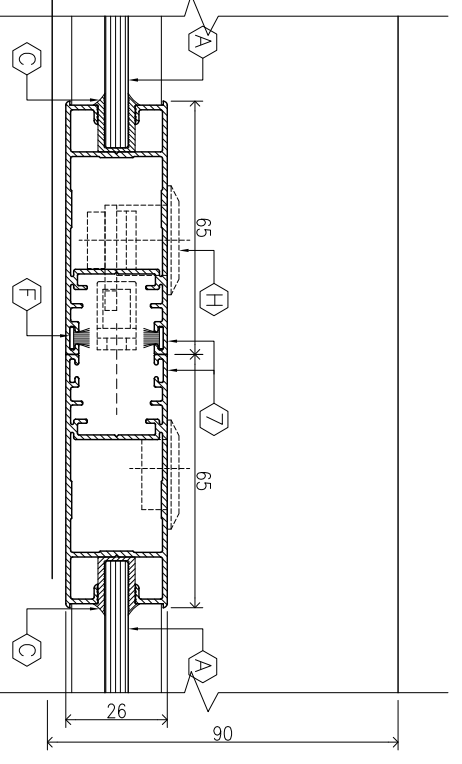
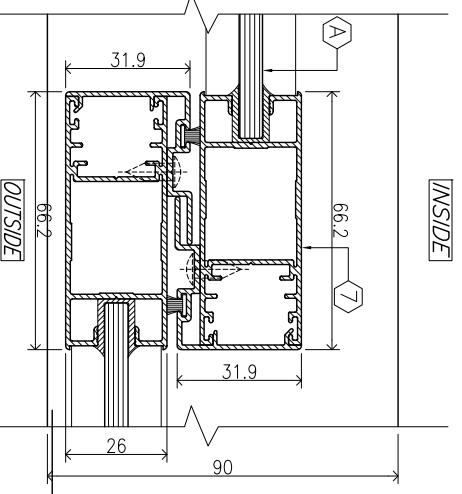
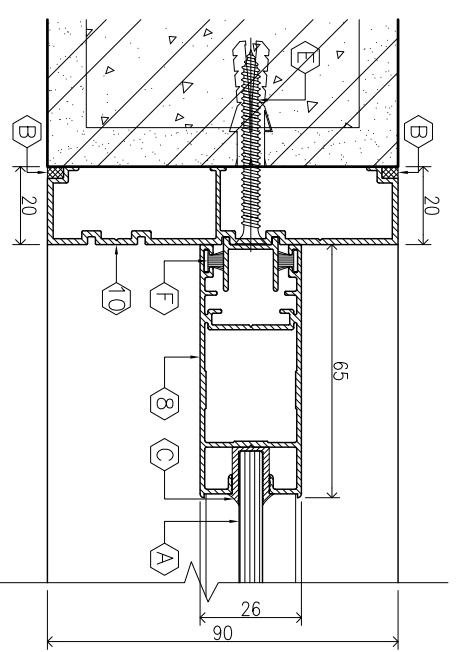
|| - ພາ. ພາ. ບ ສໍາ 65

ALUMINIUM EXTRUDED SECTION ALLOY 6063-T5	
1	HEAD SECTION
2	TRANSOM SECTION
3	TOPRAIL SECTION
4	BOTTOMRAIL SECTION
5	SILL SECTION
6	LOCKER STILE SECTION
7	INNER LOCKER STILE SECTION
8	STILE SECTION
9	MULLION SECTION
10	JAMB SECTION
11	SASH SECTION
12	BEAD SECTION

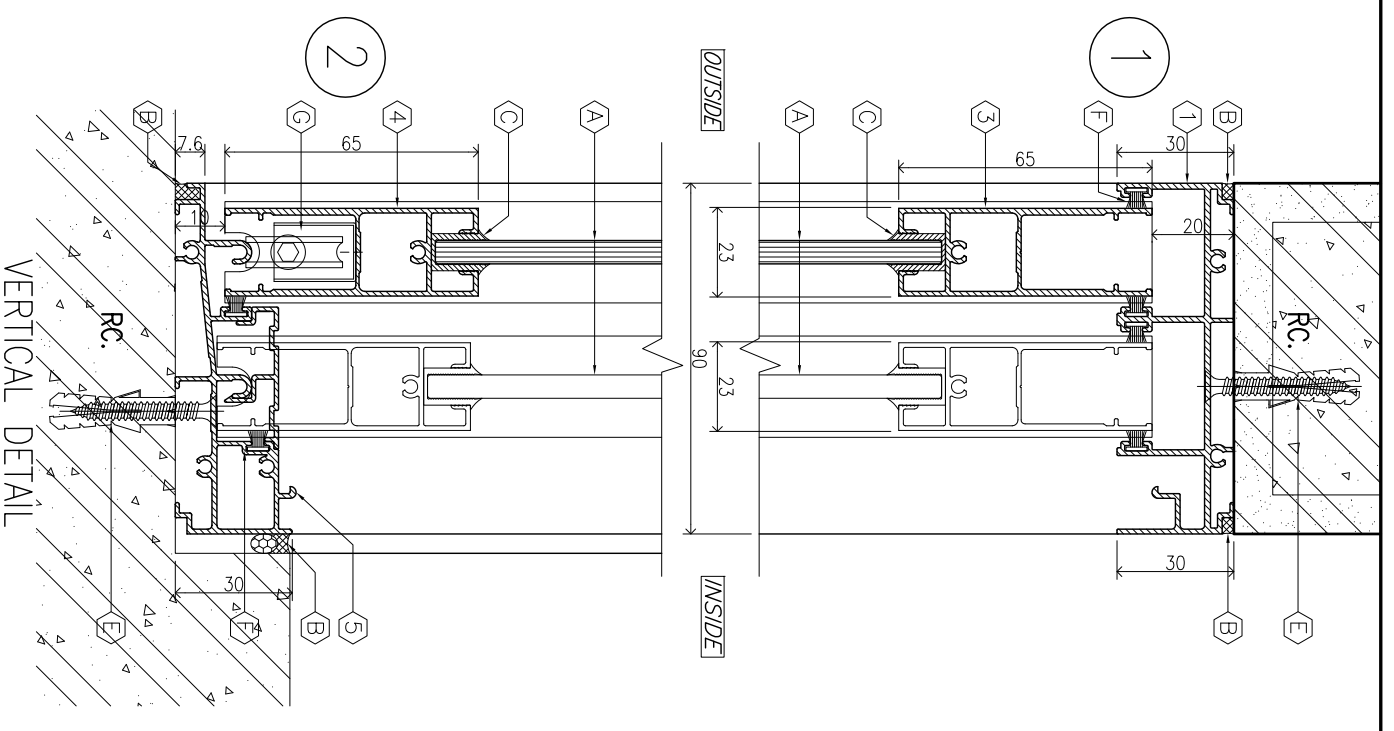
ACCESSORIES DOOR & WINDOW	
A	GLASS PANELS
B	SILICONE SEALANT
C	GLAZING GASKET
D	BUBBLE GASKET
E	SCREW & NYLON PLUG
F	WOOL PILE
G	ROLLER SLIDING
H	HANDLE LOCK
I	CAM LOCK
J	SETTING BLOCK



TYPICAL SLIDING DOOR ELEVATION



HORIZONTAL DETAIL

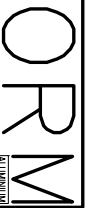


VERTICAL DETAIL

PROJECT : STANDARD PROJECT  
LOCATION :

OWNER :  
LOCATION :

ALUMINIUM CONTRACTOR :



ALUMINIUM ORN (THAILAND) CO., LTD.  
27/28 Moo 11, Bangma Bridge  
Klong Luang, Pathum Thani  
Tel. : 09-755-883, 097-755-884

DRAWING TITLE  
DOOR & WINDOW  
TYPICAL STANDARD DETAIL

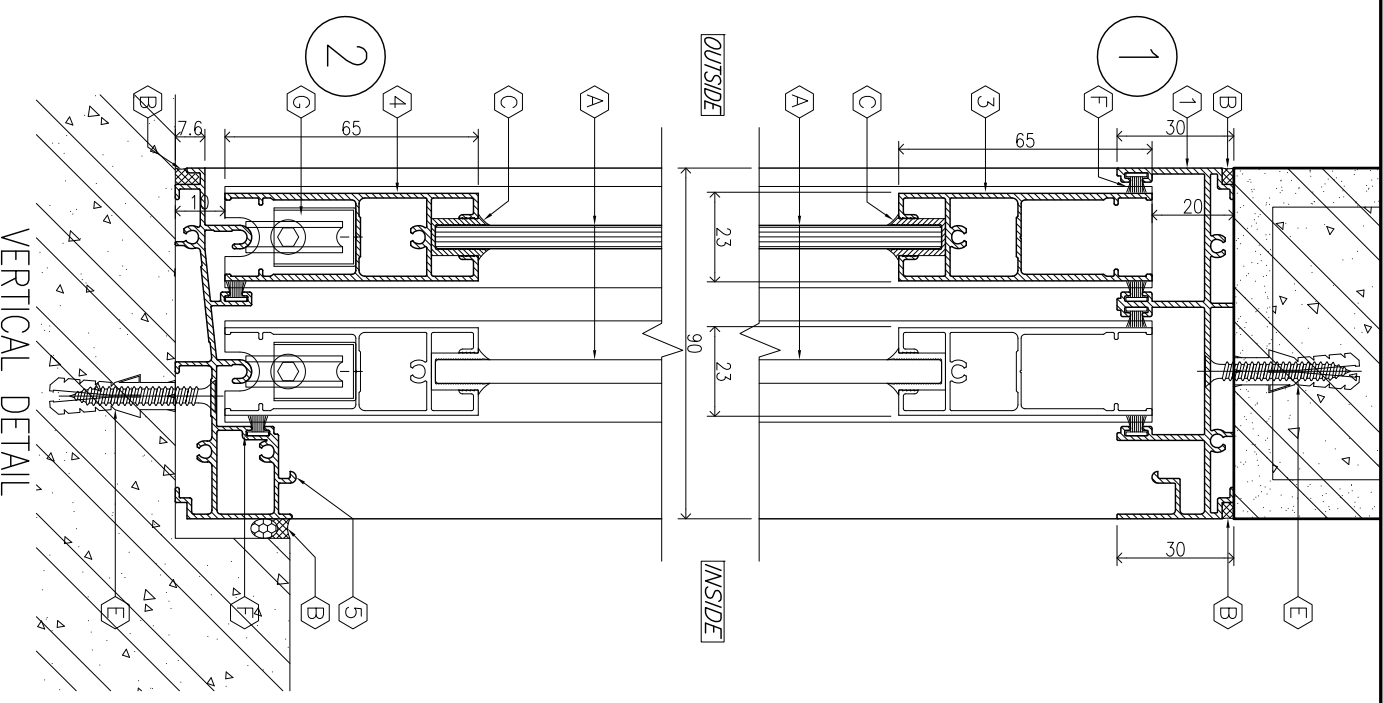
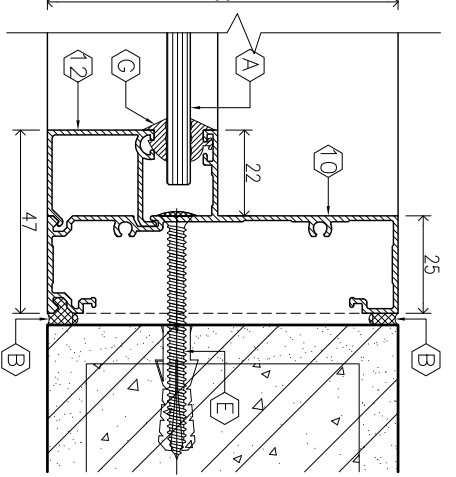
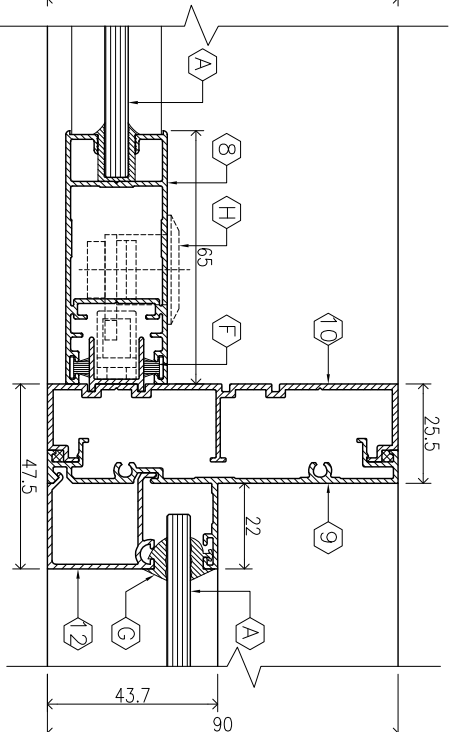
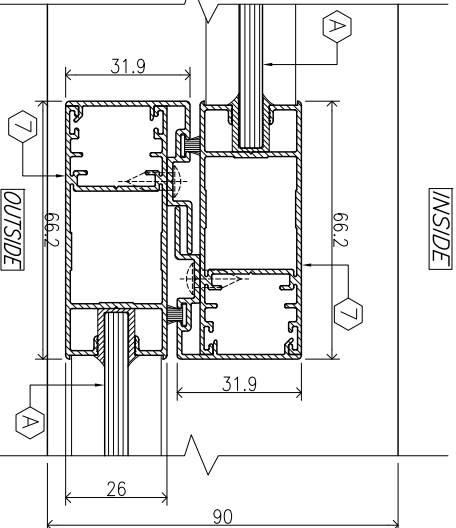
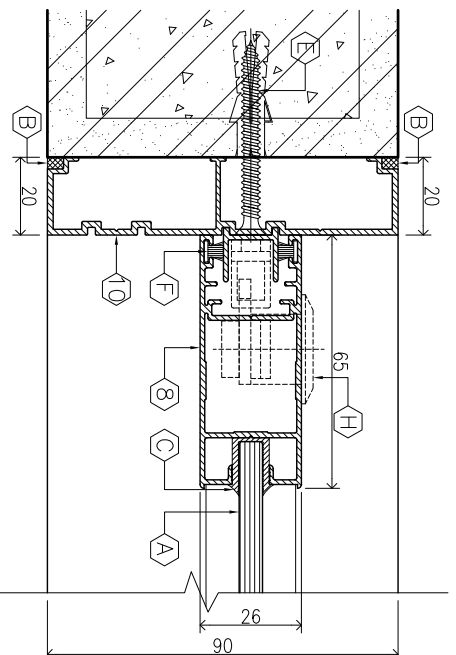
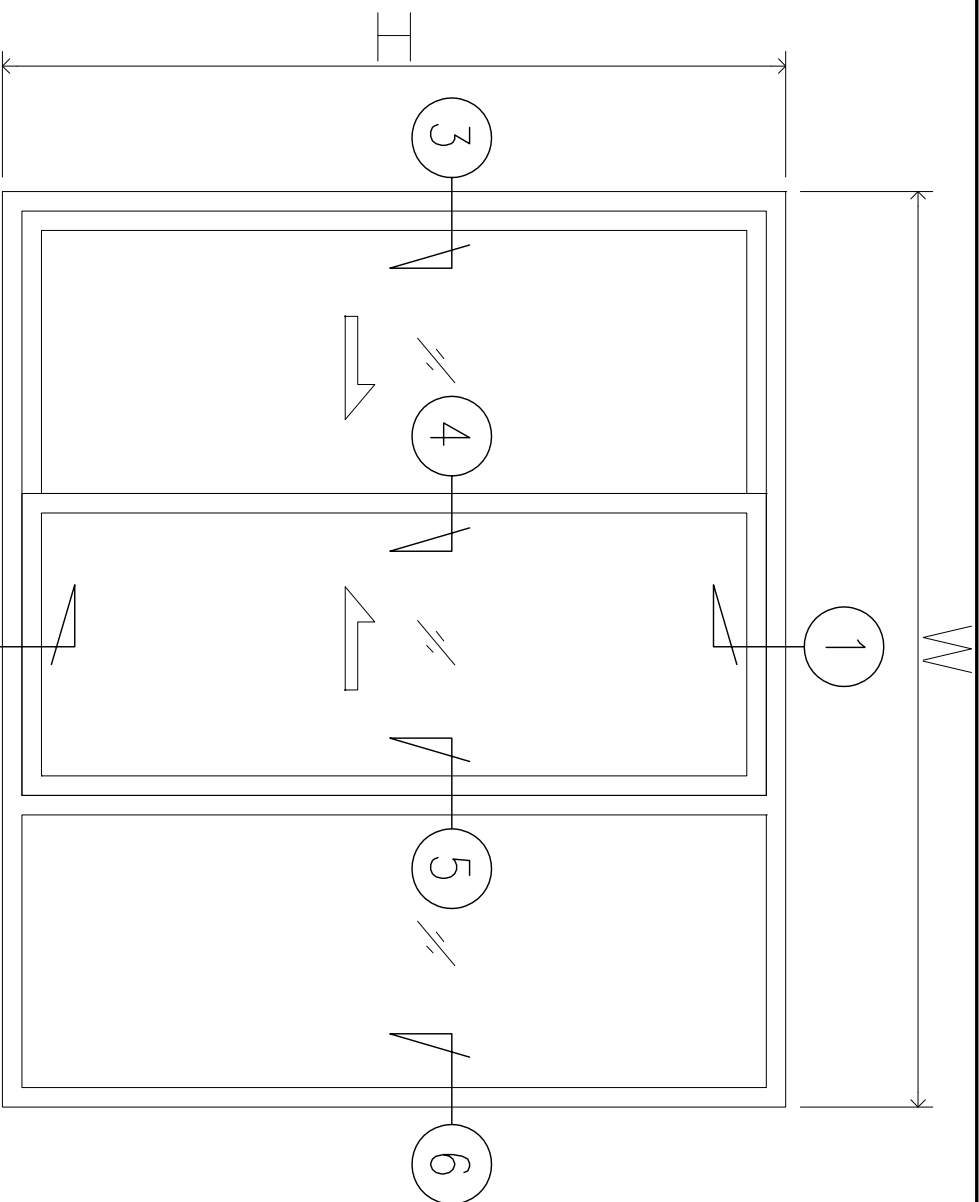
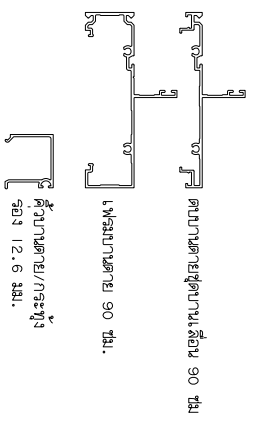
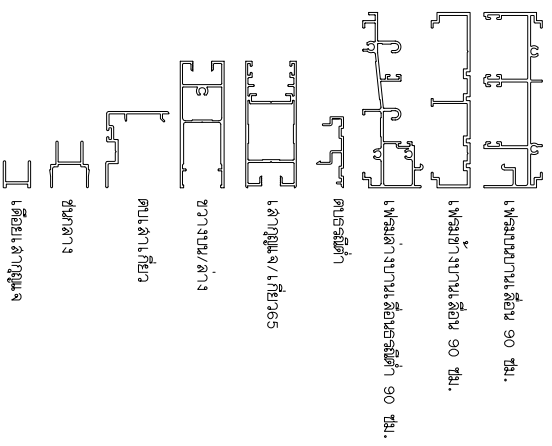
REVISION			DATE :
NO.	DATE	DESCRIPTION	APPROVED

DESIGN & DWN : MANIT SRISANGSUNG ML.4193  
CHKD. BY :  
SCALE : 1 : 2 (A3)

APPROVED BY  
DRAWING NO. SD-01

SYMBOL	ALUMINIUM EXTRUDED SECTION ALLOY 6063-T5
1	HEAD SECTION
2	TRANSOM SECTION
3	TOPRAIL SECTION
4	BOTTOMRAIL SECTION
5	SILL SECTION
6	LOCKER STILE SECTION
7	INNER LOCKER STILE SECTION
8	STILE SECTION
9	MULLION SECTION
10	JAMB SECTION
11	SASH SECTION
12	BEAD SECTION

SYMBOL	ACCESSORIES DOOR & WINDOW
A	GLASS PANELS
B	SILICONE SEALANT
C	GLAZING GASKET
D	BUBBLE GASKET
E	SCREW & NYLON PLUG
F	WOOL PILE
G	ROLLER SLIDING
H	HANDLE LOCK
I	CAM LOCK
J	SETTING BLOCK

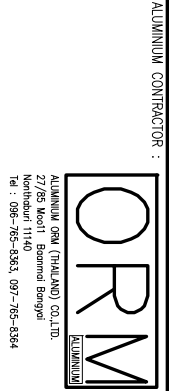


HORIZONTAL DETAIL

PROJECT : STANDARD PROJECT  
 LOCATION :

OWNER :

ALUMINIUM CONTRACTOR :



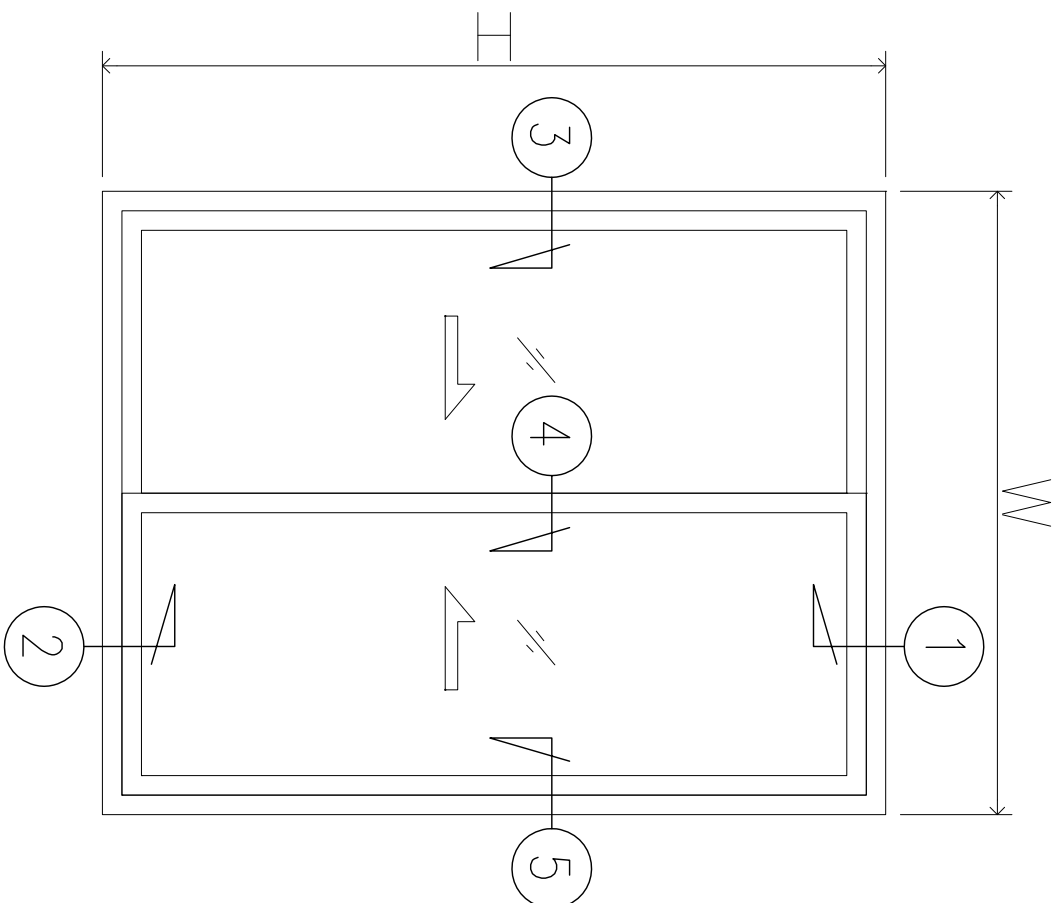
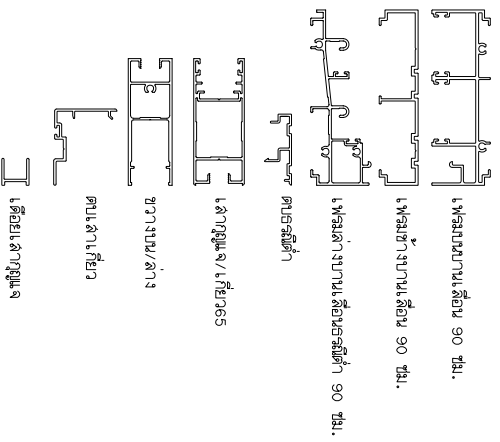
DRAWING TITLE  
 DOOR & WINDOW  
 TYPICAL STANDARD DETAIL

NO.	DATE	REVISION DESCRIPTION	APPROVED

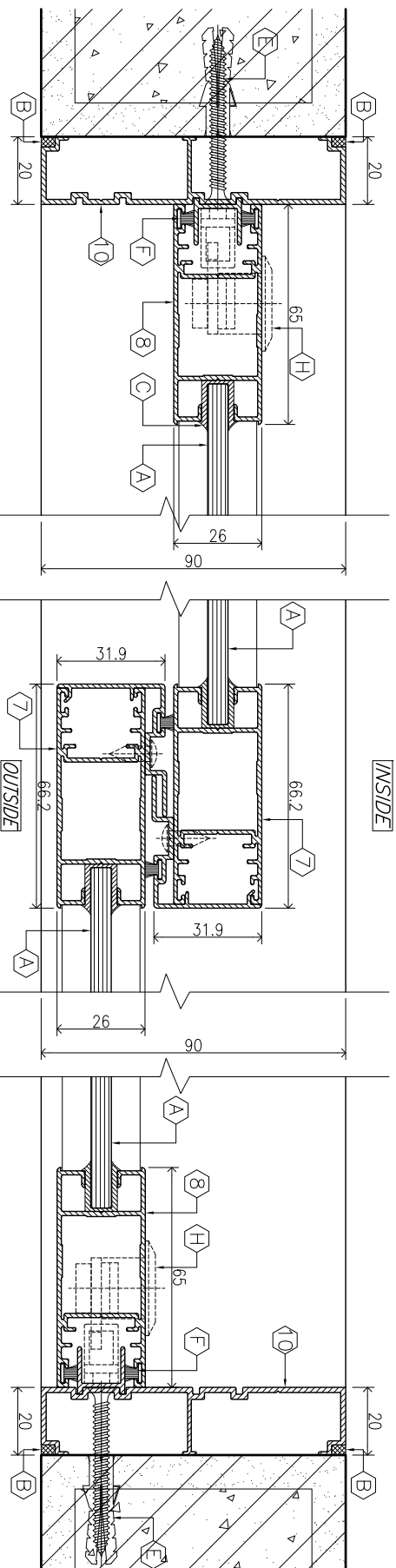
DATE :  
 DESIGN & DWN : MANIT SRISANGSUNG  
 CHKD. BY :  
 SCALE : 1 : 2 (A3)  
 APPROVED BY :  
 DRAWING NO. SD-02

ALUMINIUM EXTRUDED SECTION ALLOY 6063-T5	
1	HEAD SECTION
2	TRANSOM SECTION
3	TOPRAIL SECTION
4	BOTTOMRAIL SECTION
5	SILL SECTION
6	LOCKER STILE SECTION
7	INNER LOCKER STILE SECTION
8	STILE SECTION
9	MULLION SECTION
10	JAMB SECTION
11	SASH SECTION
12	BEAD SECTION

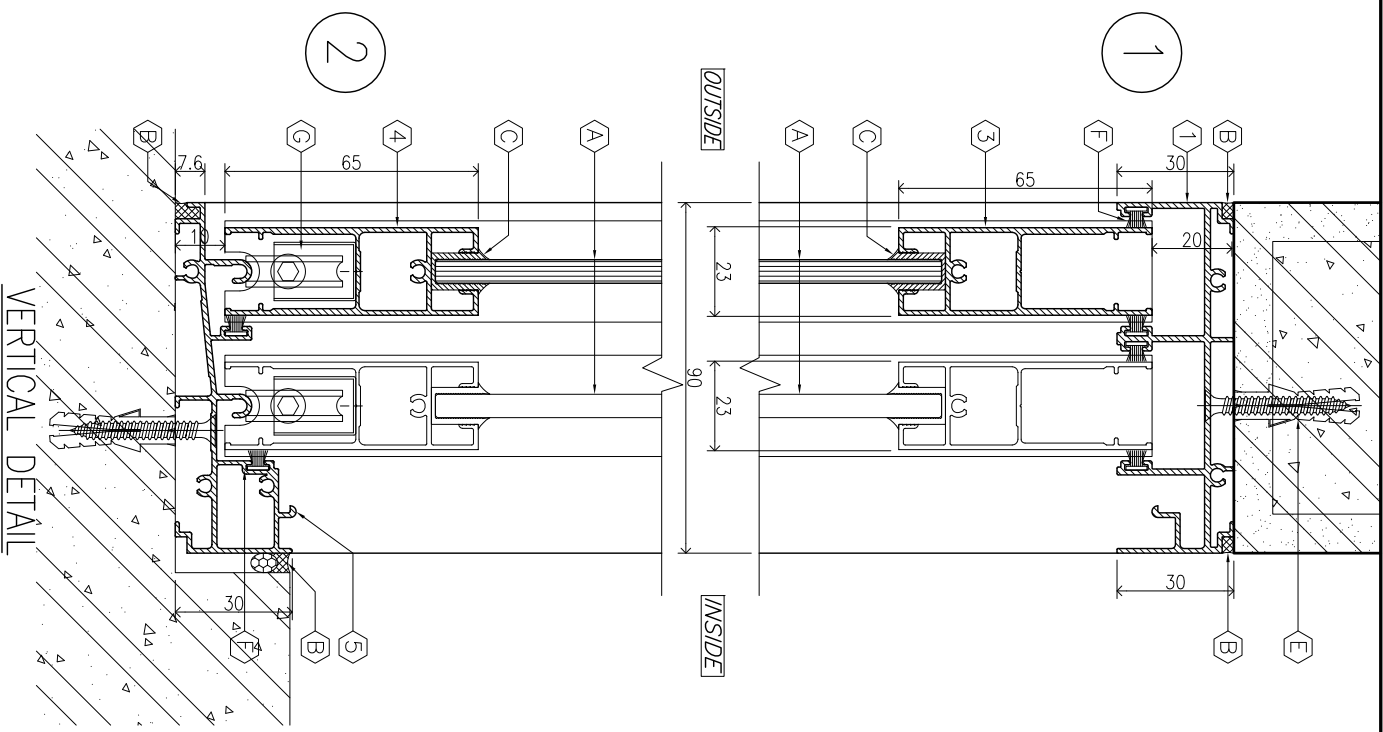
ACCESSORIES DOOR & WINDOW	
A	GLASS PANELS
B	SILICONE SEALANT
C	GLAZING GASKET
D	BUBBLE GASKET
E	SCREW & NYLON PLUG
F	WOOL PILE
G	ROLLER SLIDING
H	HANDLE LOCK
I	CAM LOCK
J	SETTING BLOCK



TYPICAL SLIDING DOOR ELEVATION



HORIZONTAL DETAIL



VERTICAL DETAIL

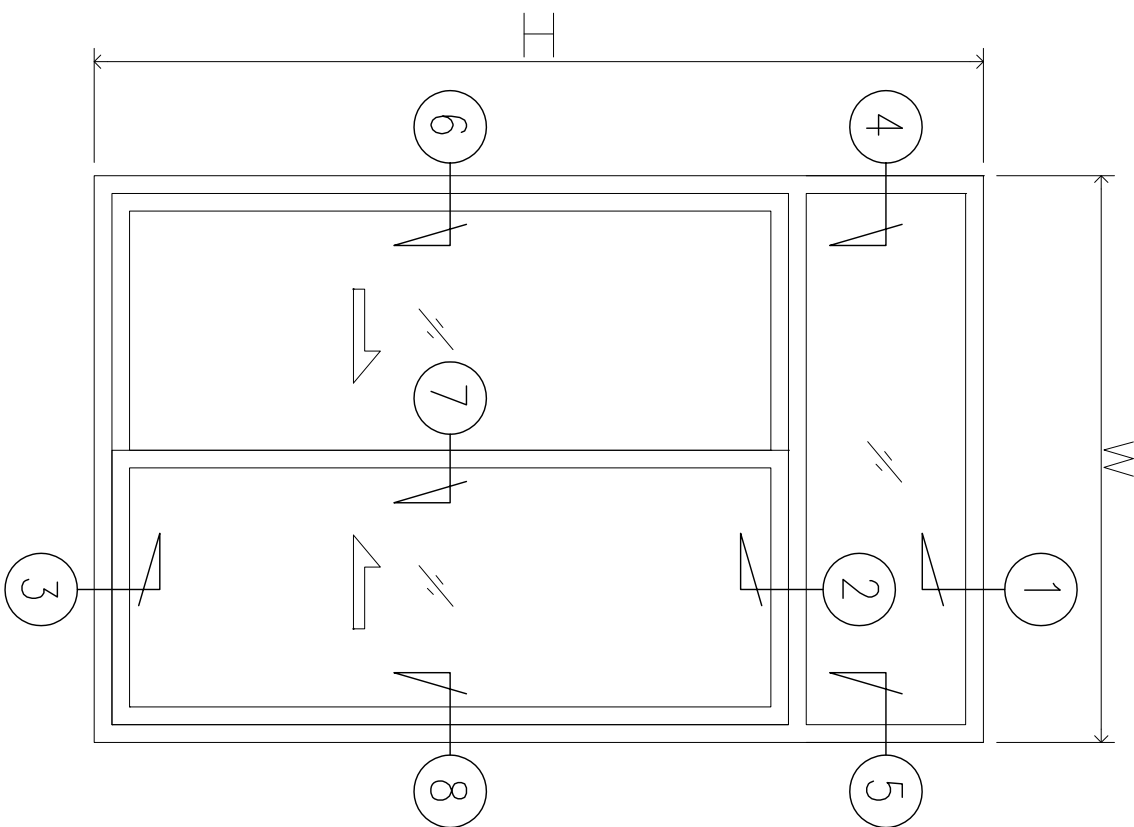
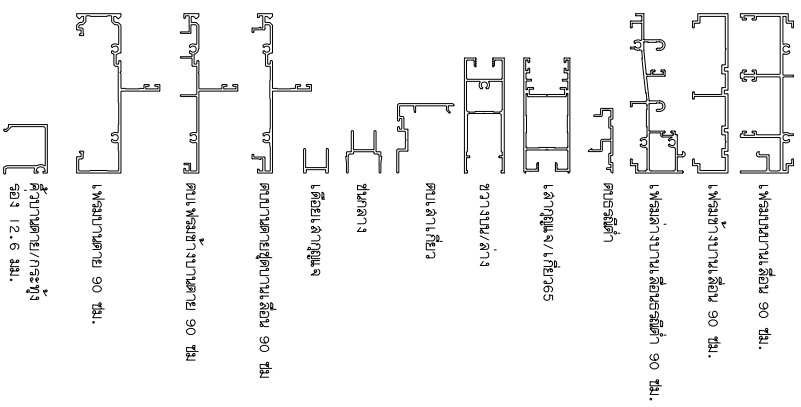
PROJECT : STANDARD PROJECT  
 LOCATION :  
 OWNER :  
 LOCATION :  
 ALUMINIUM CONTRACTOR :  
**ORM**  
 ALUMINIUM ORN (THAILAND) CO.,LTD.  
 27/28 Moo 11, Bangna-Boonrut Road, Bangna District, Bangkok 10700, Thailand  
 Tel. : 096-755-8863, 093-755-8864  
 DRAWING TITLE : DOOR & WINDOW TYPICAL STANDARD DETAIL  

NO.	DATE	REVISION DESCRIPTION	APPROVED

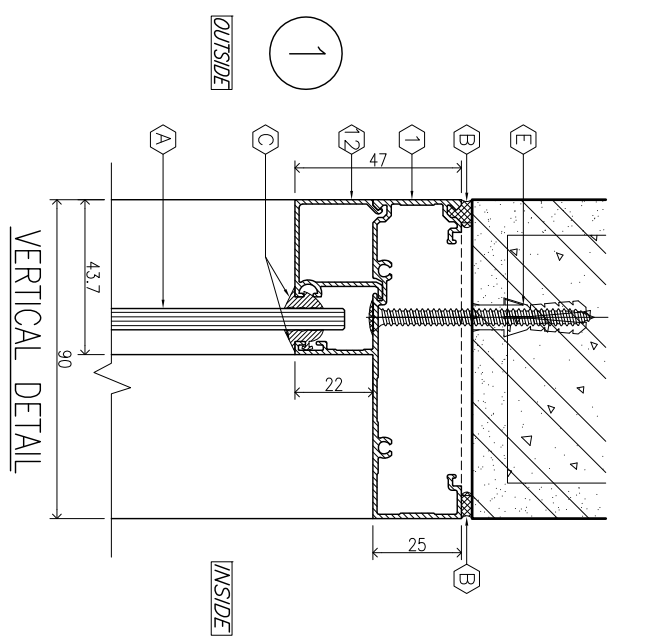
 DATE :  
 DESIGN & DWG : MANIT SRSANGSUNG ML.4193  
 CHKD. BY :  
 SCALE : 1 : 2 (A3)  
 APPROVED BY :  
 DRAWING NO. : SD-03

ALUMINIUM EXTRUDED SECTION ALLOY 6063-15	
1	HEAD SECTION
2	TRANSOM SECTION
3	TOPRAIL SECTION
4	BOTTOMRAIL SECTION
5	SILL SECTION
6	LOCKER STILE SECTION
7	INNER LOCKER STILE SECTION
8	STILE SECTION
9	MULLION SECTION
10	JAMB SECTION
11	SASH SECTION
12	BEAD SECTION

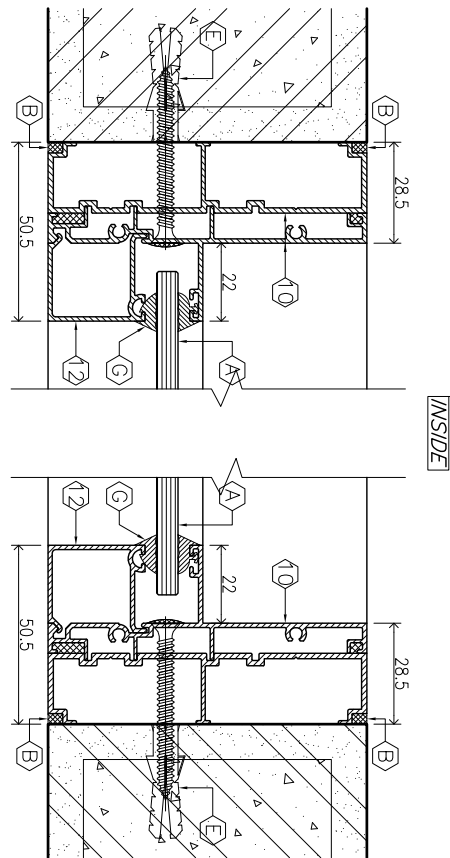
ACCESSORIES DOOR & WINDOW	
A	GLASS PANELS
B	SILICONE SEALANT
C	GLAZING GASKET
D	BUBBLE GASKET
E	SCREW & NYLON PLUG
F	WOOL PILE
G	ROLLER SLIDING
H	HANDLE LOCK
I	CAM LOCK
J	SETTING BLOCK



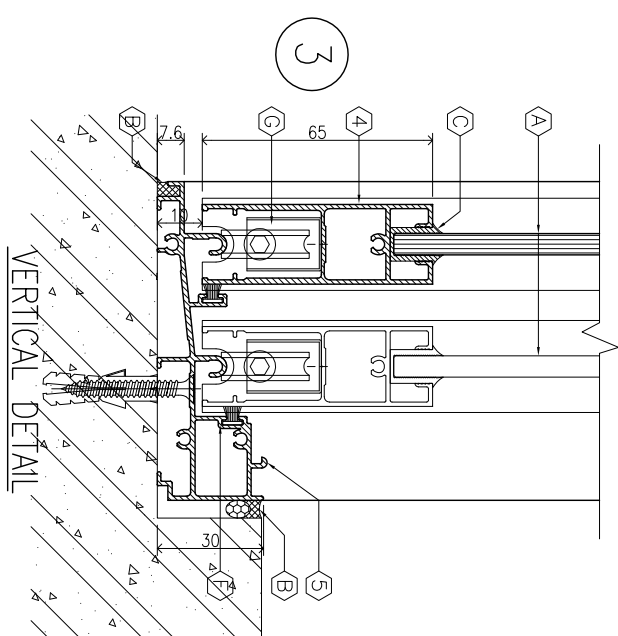
TYPICAL SLIDING DOOR & FIXED ELEVATION



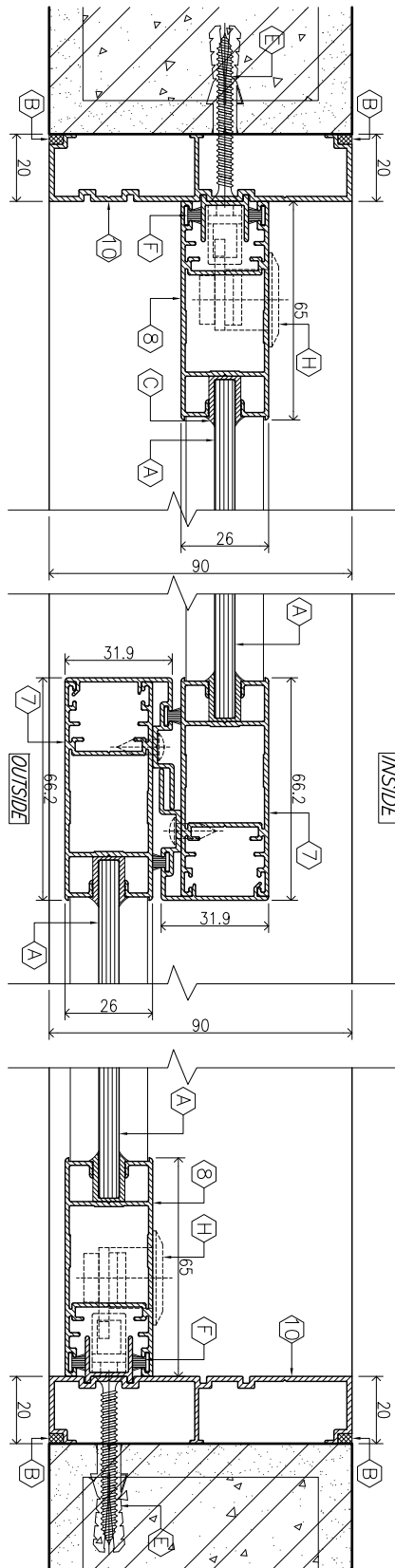
VERTICAL DETAIL



INSIDE



VERTICAL DETAIL



HORIZONTAL DETAIL

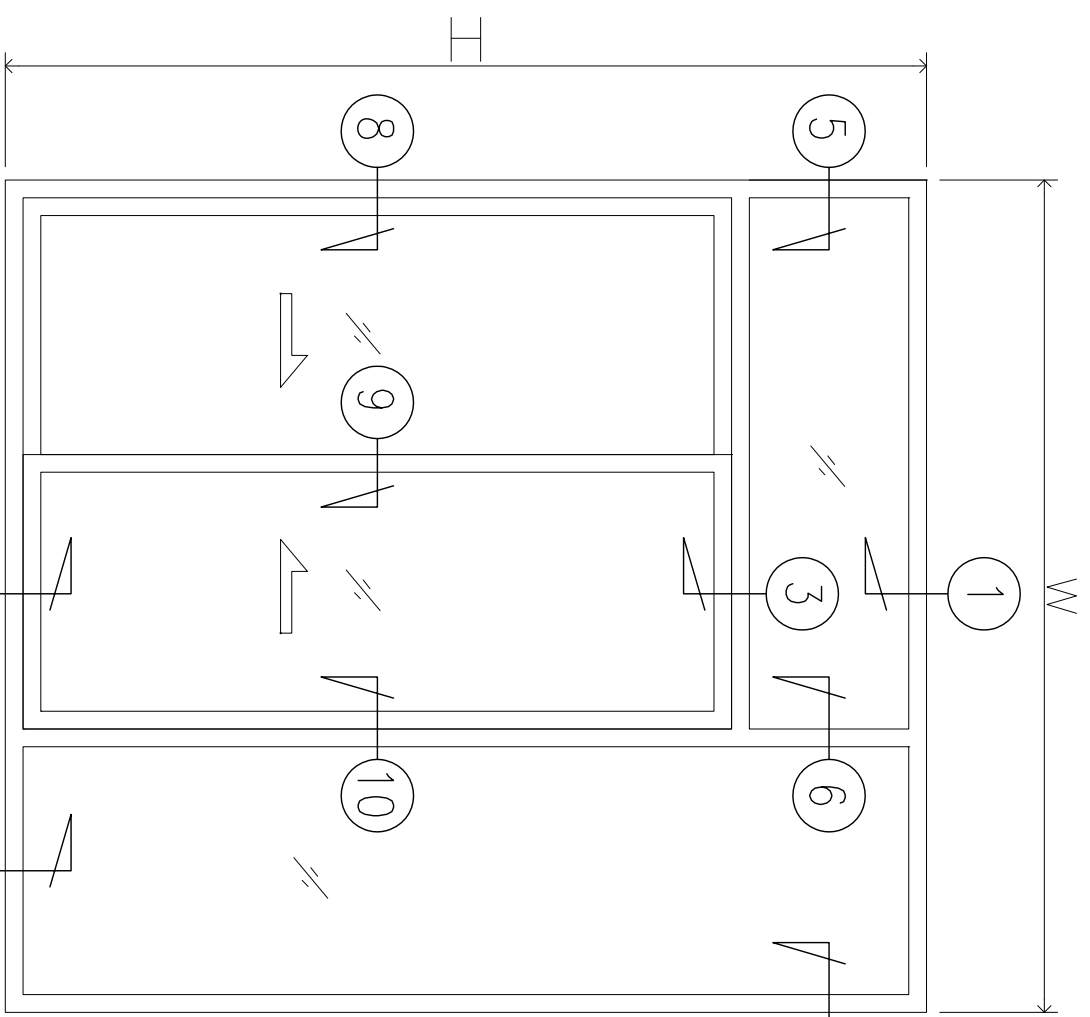
PROJECT : **STANDARD PROJECT**      OWNER :      ALUMINIUM CONTRACTOR : **ORM**      DRAWING TITLE : **DOOR & WINDOW TYPICAL STANDARD DETAIL**

LOCATION :      LOCATION :      LOCATION :

NO.	DATE	REVISION DESCRIPTION	APPROVED

DATE :      DESIGN & DWN : **MANIT SRISANGSUNG ML.4193**      APPROVED BY :      CHKD. BY :      DRAWING NO. : **SD-04**

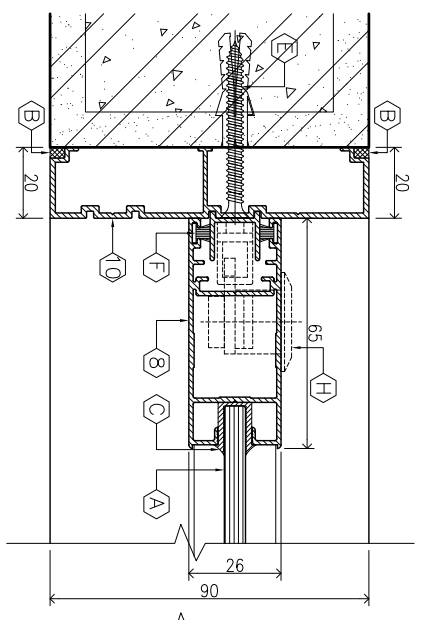
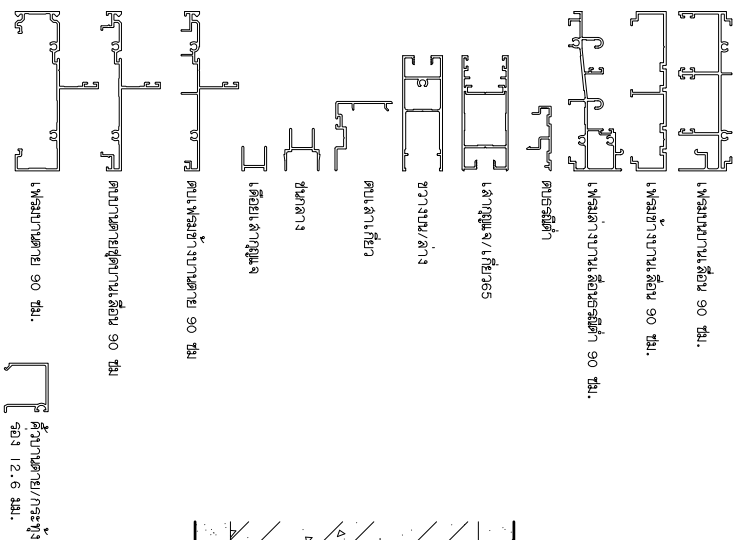
SCALE : **1 : 2.2 (A3)**



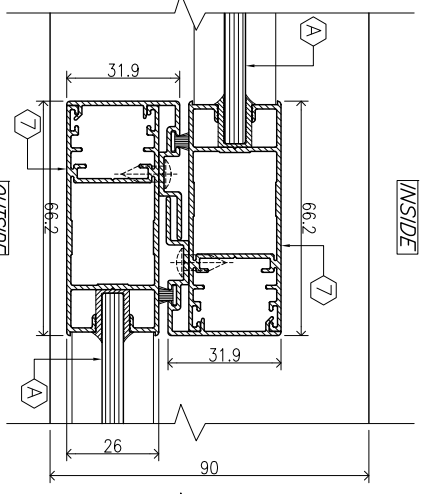
TYPICAL SLIDING DOOR & FIXED ELEVATION

SYMBOL	ALUMINIUM EXTRUDED SECTION
1	HEAD SECTION
2	TRANSOM SECTION
3	TOPRAIL SECTION
4	BOTTOMRAIL SECTION
5	SILL SECTION
6	LOCKER STILE SECTION
7	INNER LOCKER STILE SECTION
8	STILE SECTION
9	MULLION SECTION
10	JAMB SECTION
11	SASH SECTION
12	BEAD SECTION

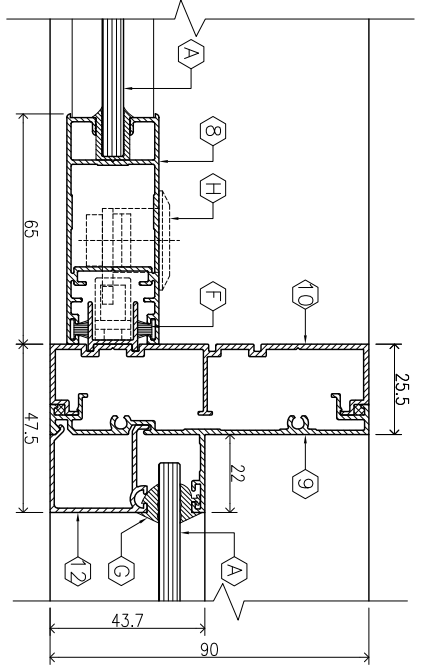
SYMBOL	ACCESSORIES
A	GLASS PANELS
B	SILICONE SEALANT
C	GLAZING GASKET
D	BUBBLE GASKET
E	SCREW & NYLON PLUG
F	WOOL PILE
G	ROLLER SLIDING
H	HANDLE LOCK
I	CAM LOCK
J	SETTING BLOCK



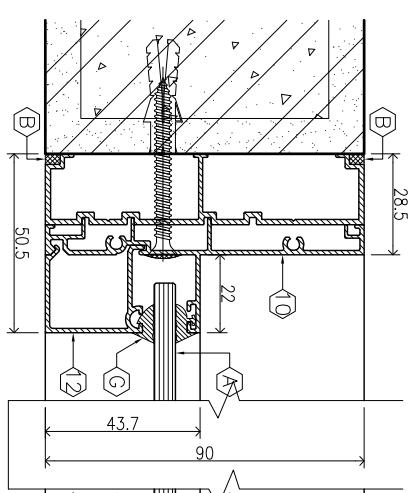
8



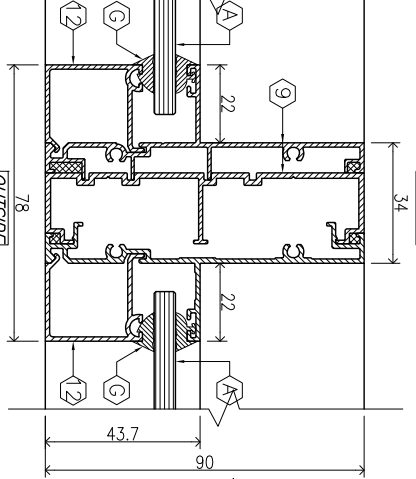
9



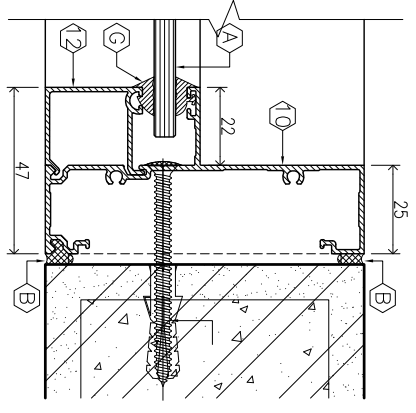
10



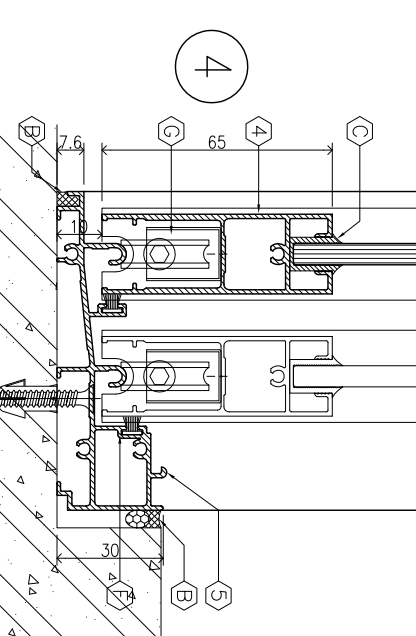
5



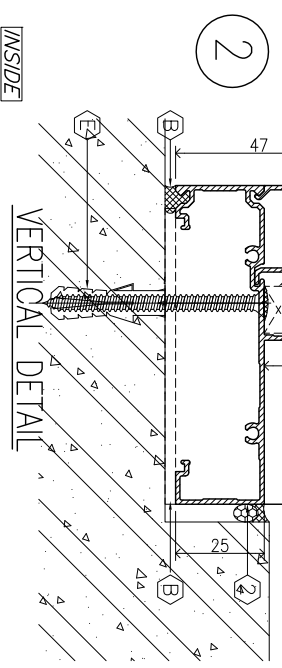
6



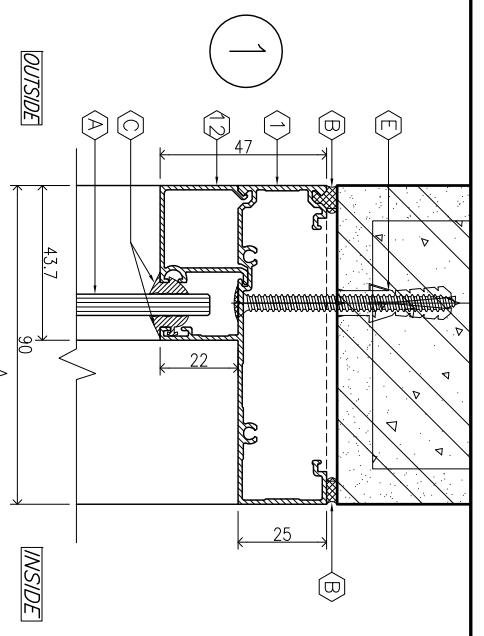
7



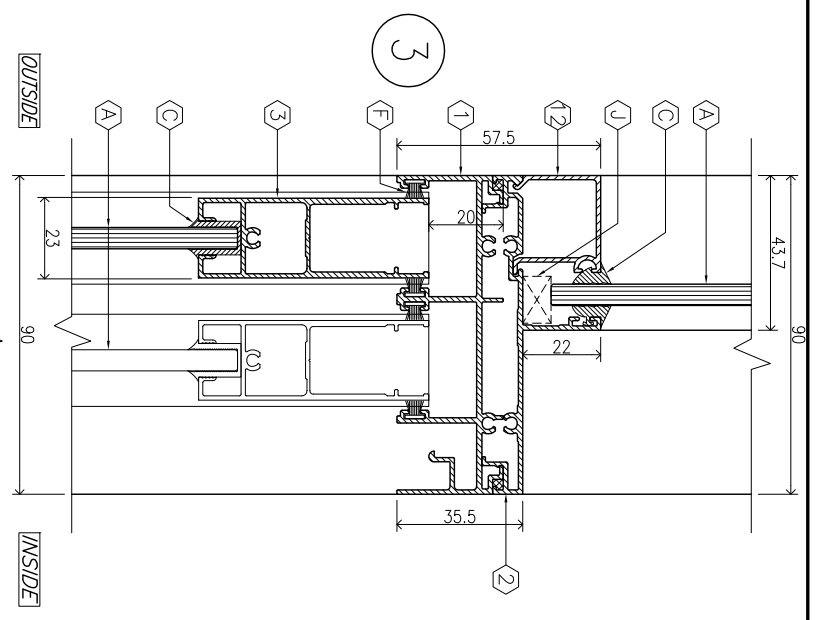
4



2



1



3

PROJECT : STANDARD PROJECT

OWNER : **ORM**

ALUMINIUM CONTRACTOR : **ORM**

ALUMINIUM ORN (THAILAND) CO.,LTD.  
 27/28 Moo 11, Bangma Express  
 Bangma Express Road, Bangma Sub-township,  
 Bangma District, Bangkok 10140  
 Tel. : 096-765-883, 097-765-884

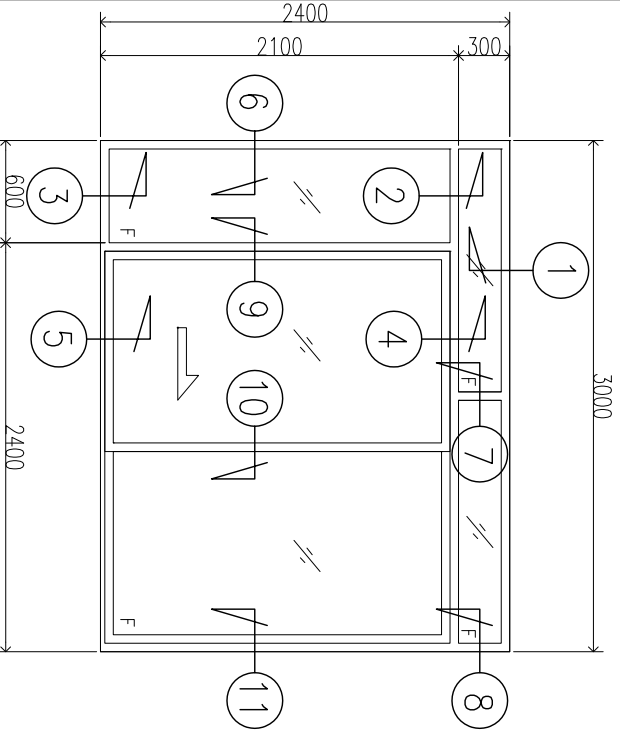
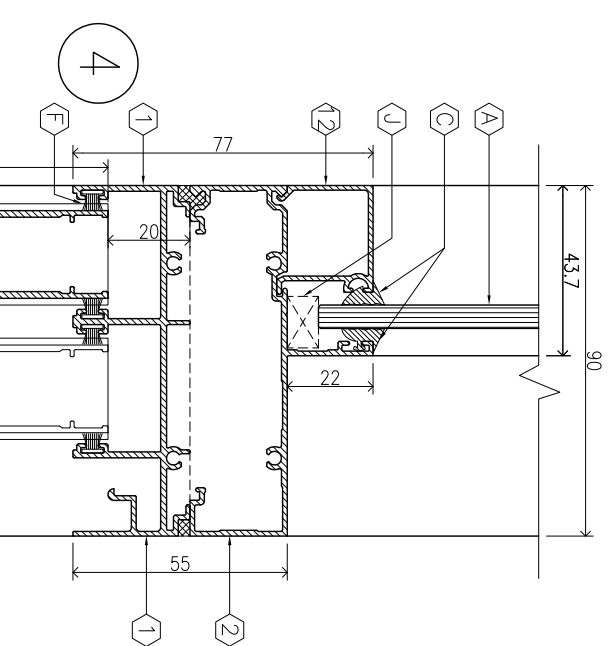
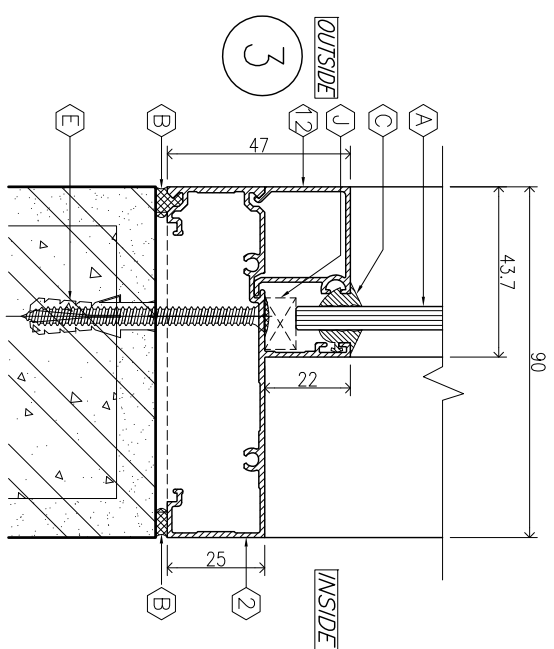
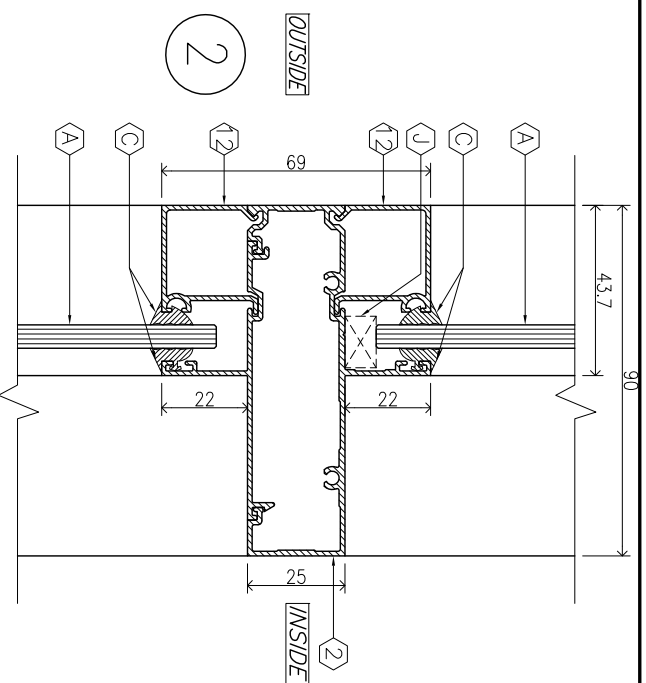
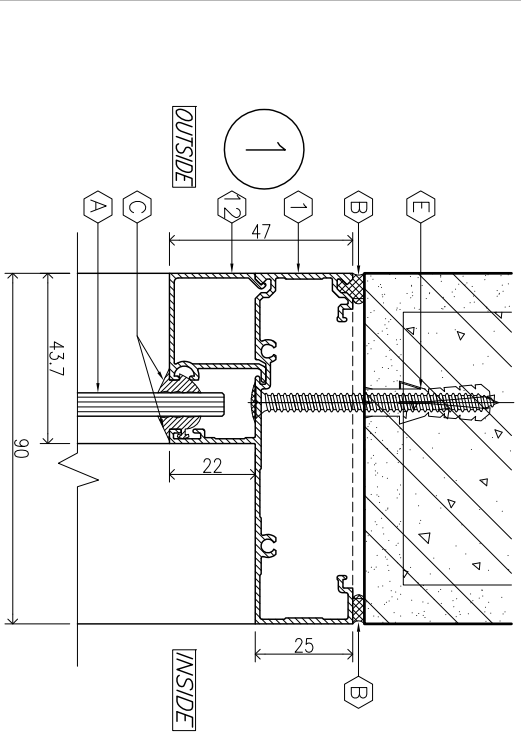
DRAWING TITLE : DOOR & WINDOW TYPICAL STANDARD DETAIL

NO.	DATE	REVISION DESCRIPTION	APPROVED

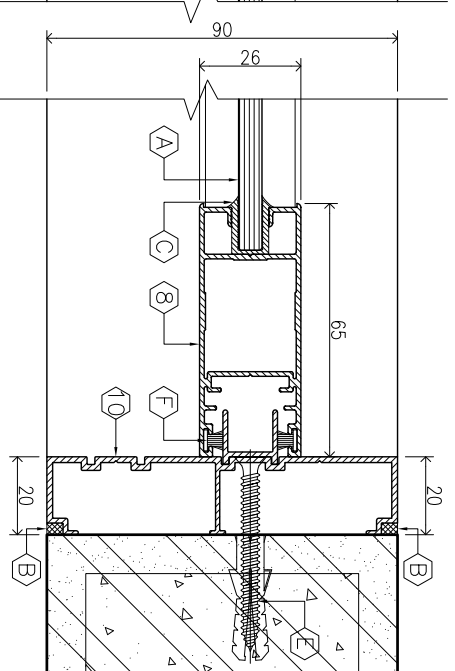
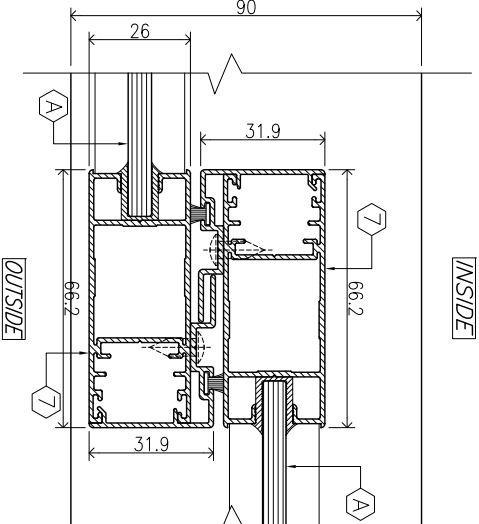
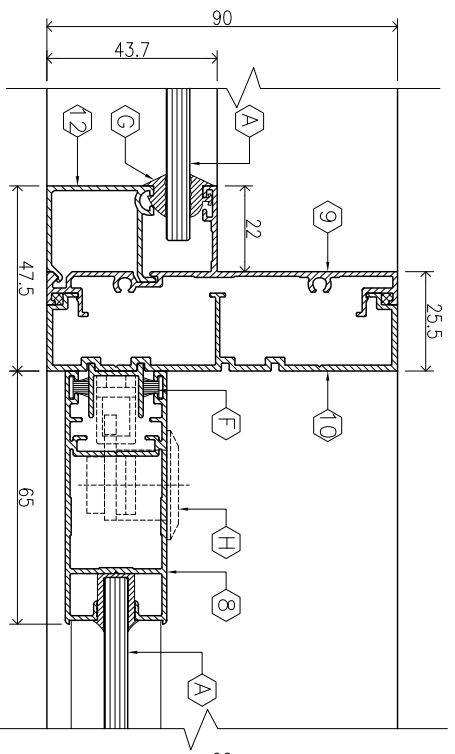
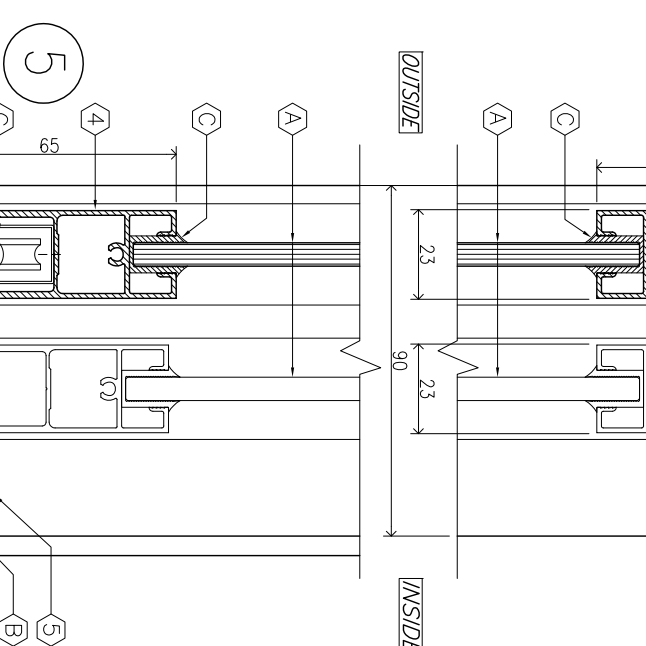
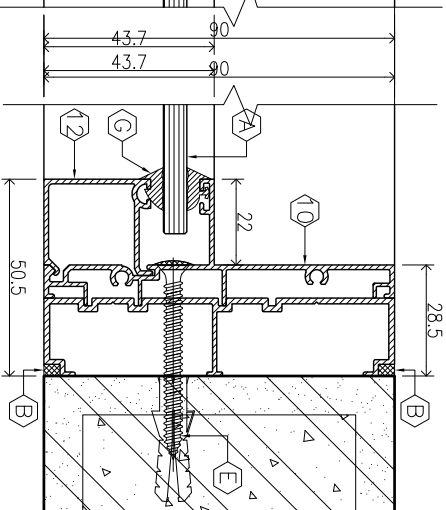
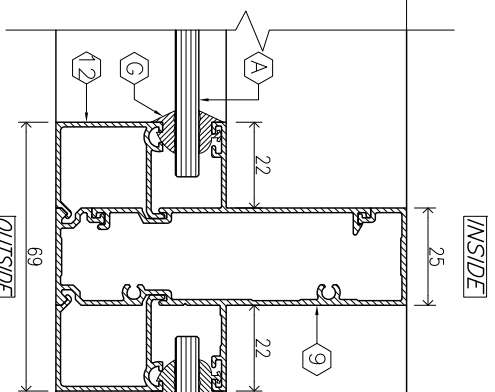
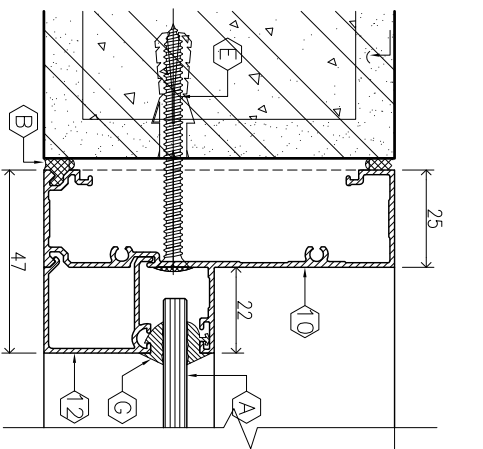
DATE : DESIGN & DWN : MANIT SRISANGSUNG TEL. 4193

CHKD. BY : SCALE : 1 : 2.2 (A3)

APPROVED BY : DRAWING NO. SD-05



TYPICAL SLIDING WINDOW & FIXED ELEVATION



HORIZONTAL DETAIL

SYMBOL	ALUMINIUM EXTRUDED SECTION
ALLOY	6063-T5
1	HEAD SECTION
2	TRANSOM SECTION
3	TOPRAIL SECTION
4	BOTTOMRAIL SECTION
5	SILL SECTION
6	LOCKER STILE SECTION
7	INTER LOCKER STILE SECTION
8	STILE SECTION
9	MULLION SECTION
10	JAMB SECTION
11	SASH SECTION
12	BEAD SECTION

SYMBOL	ACCESSORIES
A	GLASS PANELS
B	SILICONE SEALANT
C	GLAZING GASKET
D	BUBBLE GASKET
E	SCREW & NYLON PLUG
F	WOOL PILE
G	ROLLER SLIDING
H	HANDLE LOCK
I	CAM LOCK
J	SETTING BLOCK

PROJECT : **STANDARD PROJECT** OWNER : **ALUMINIUM CONTRACTOR :**

LOCATION : LOCATION :

ALUMINIUM CONTRACTOR : **ORM** ALUMINIUM CO. (THAILAND) CO., LTD.  
 27/28 Moo 11, Bangna-Boengye  
 Bangna Suburb, Bangkok 10700  
 Tel. : 096-765-8863, 097-765-8884

DRAWING TITLE : **DOOR & WINDOW TYPICAL STANDARD DETAIL**

NO.	DATE	REVISION DESCRIPTION	APPROVED

DATE : DESIGN & DWN : **MANIT SRSANGSUNG** ML.4193  
 CHKD. BY :  
 SCALE : 1 : 2 (A3)

APPROVED BY : **SD-06**