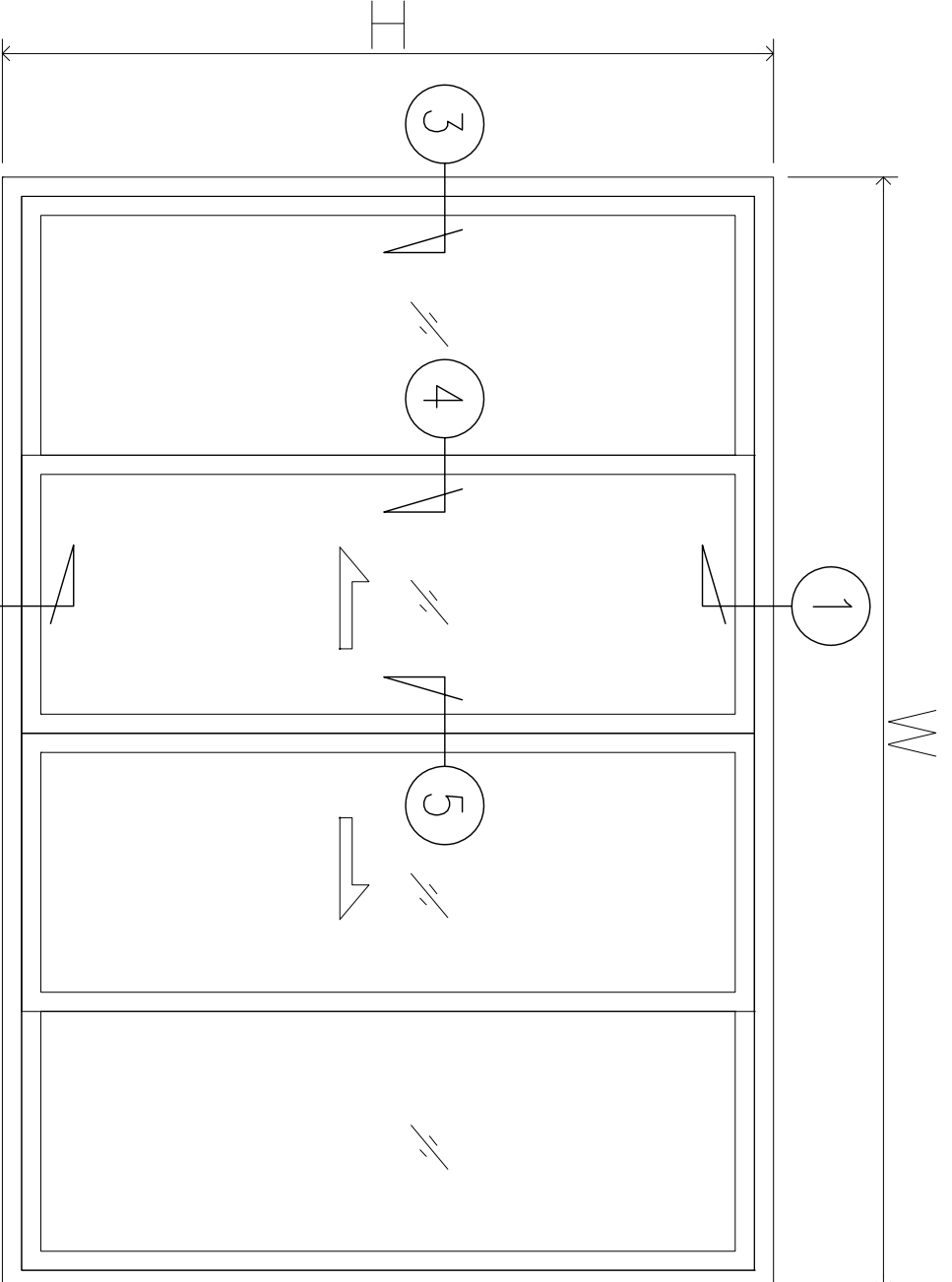
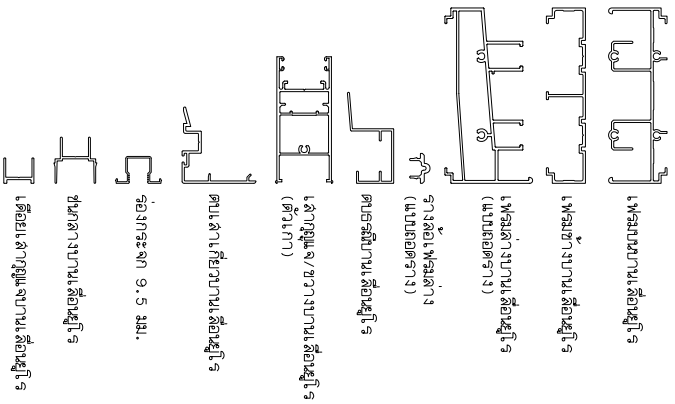


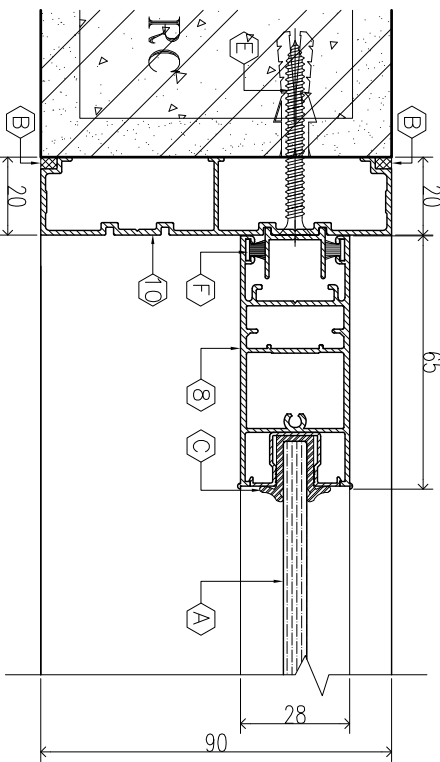
10-12-01

ALUMINIUM EXTRUDED SECTION ALLOY 6063-15	
1	HEAD SECTION
2	TRANSOM SECTION
3	TOPRAIL SECTION
4	BOTTOMRAIL SECTION
5	SILL SECTION
6	LOCKER STILE SECTION
7	INTER LOCKER STILE SECTION
8	STILE SECTION
9	MULLION SECTION
10	JAMB SECTION
11	SASH SECTION
12	BEAD SECTION

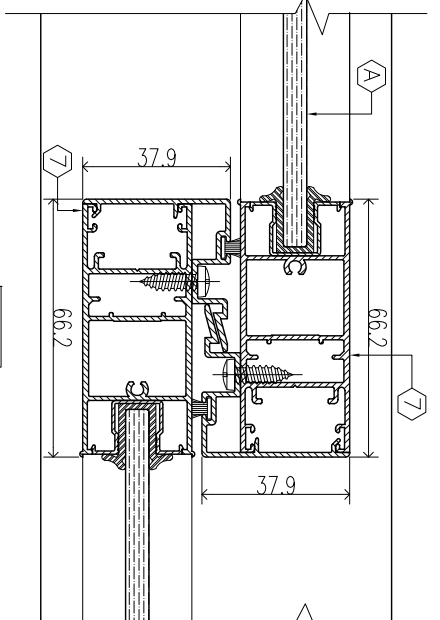
ACCESSORIES DOOR & WINDOW	
A	GLASS PANELS
B	SILICONE SEALANT
C	GLAZING GASKET
D	BUBBLE GASKET
E	SCREW & NYLON PLUG
F	WOOL PILE
G	ROLLER SLIDING
H	HANDLE LOCK
I	CAM LOCK
J	SETTING BLOCK



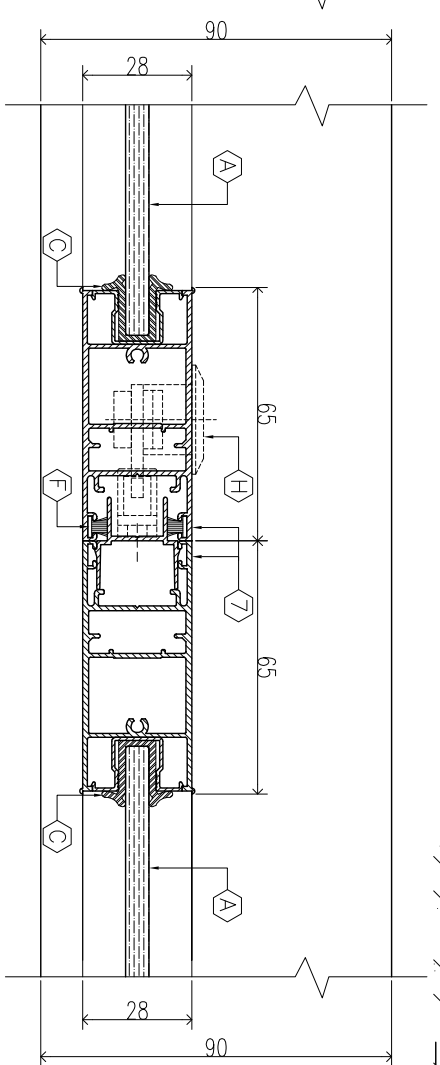
TYPICAL SLIDING DOOR ELEVATION



3

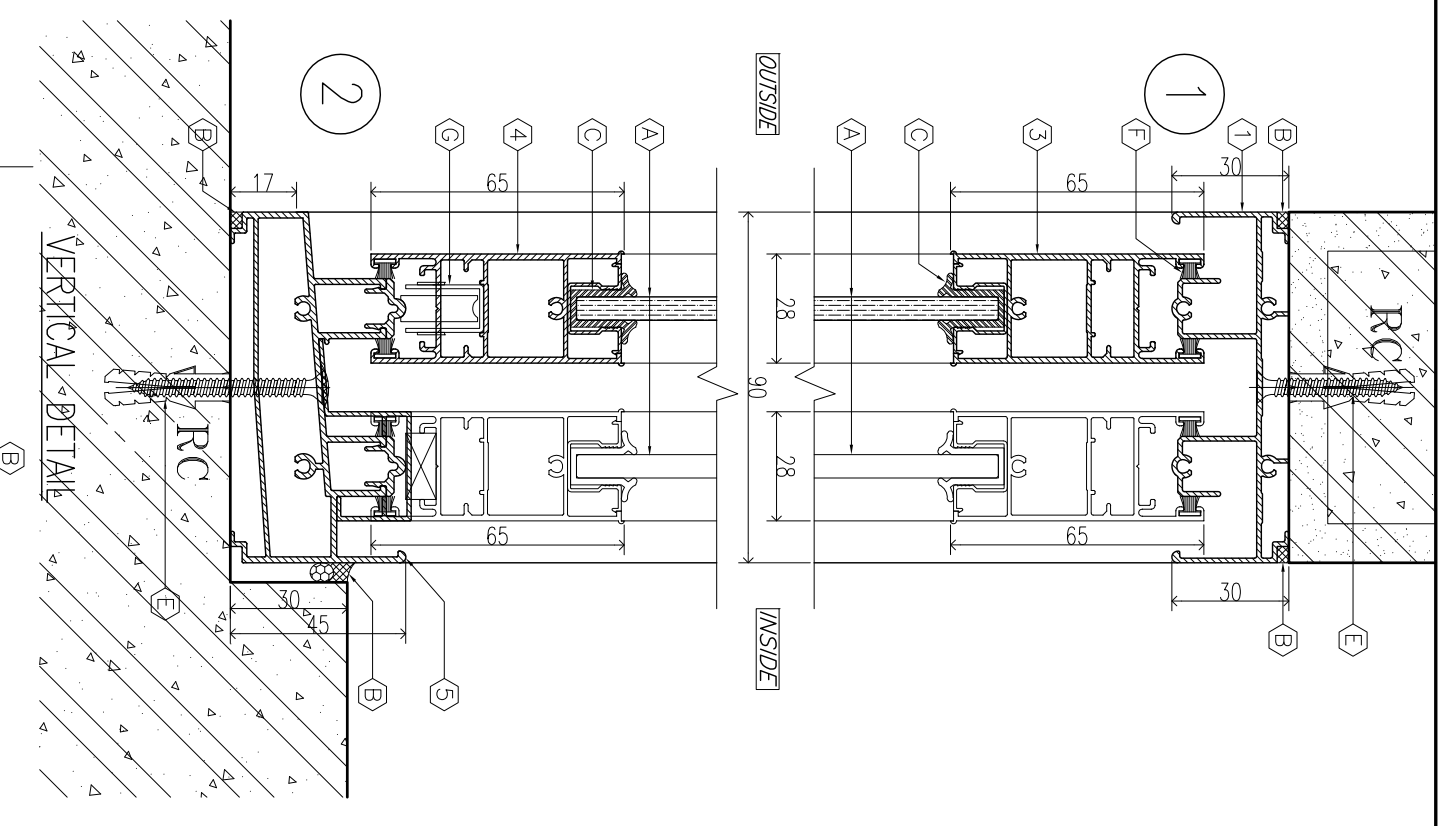


4



5

HORIZONTAL DETAIL



2

VERTICAL DETAIL

PROJECT : STANDARD PROJECT

OWNER :

ALUMINIUM CONTRACTOR : **ORM** (ALUMINIUM)

DRAWING TITLE : DOOR & WINDOW TYPICAL STANDARD DETAIL

NO.	DATE	REVISION DESCRIPTION	APPROVED

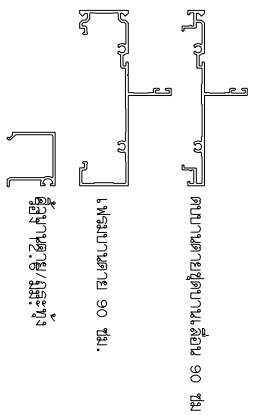
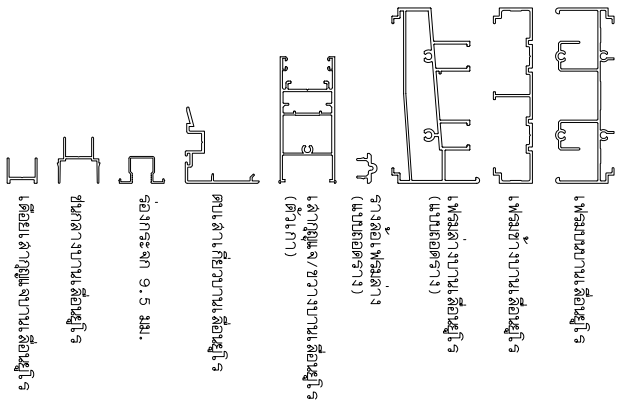
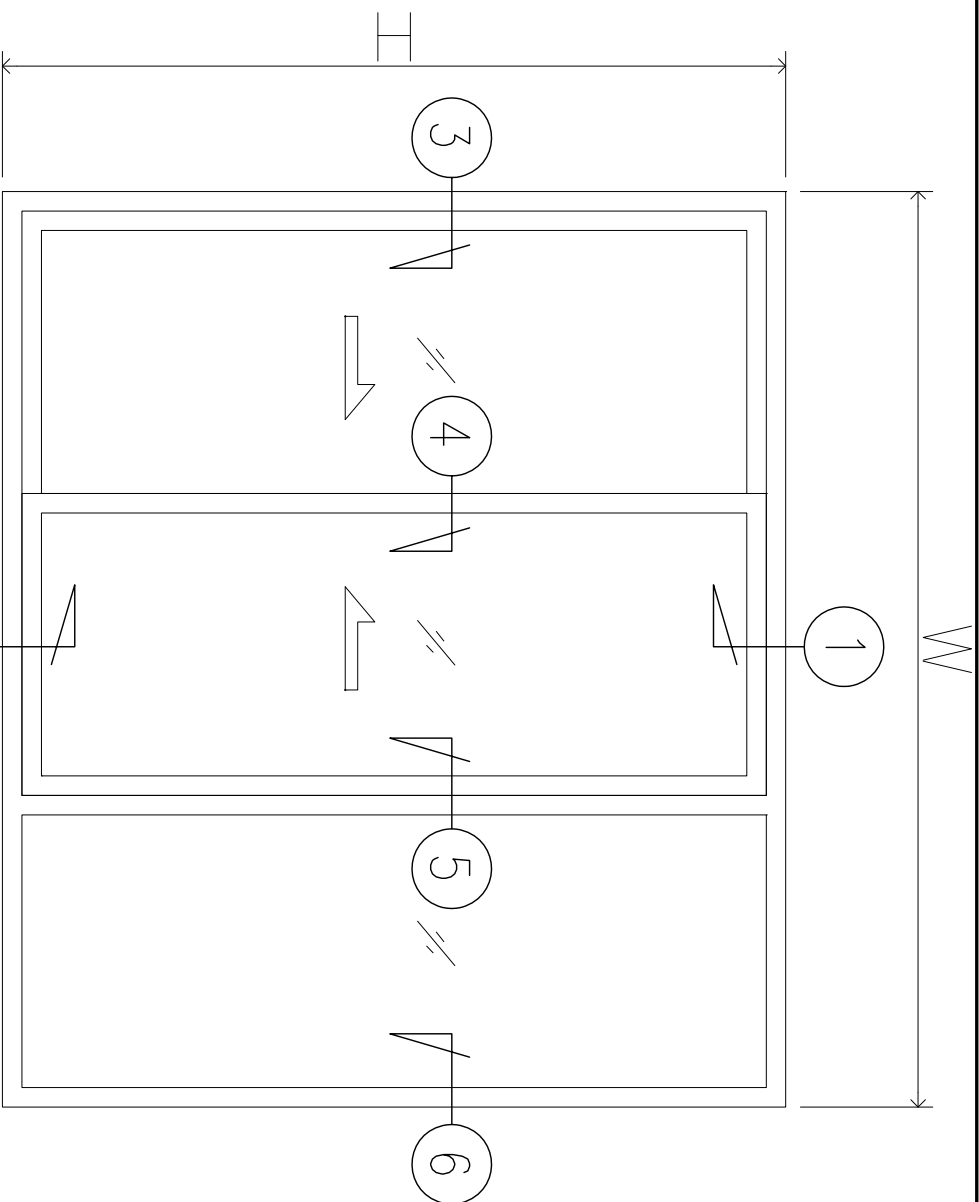
DATE :  
DESIGN & DWG : MANIT SRISANGSUNG ML.4193  
CHKD. BY :  
SCALE : 1 : 2 (A3)

APPROVED BY :  
DRAWING NO. : SD-01E

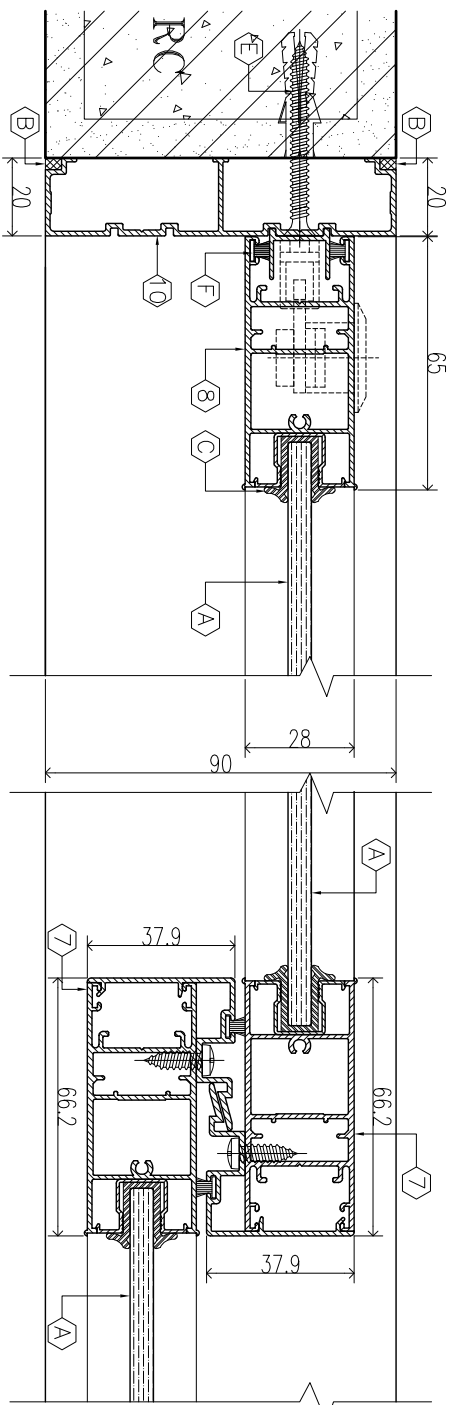
LOCATION :  
LOCATION :

SYMBOL	DESCRIPTION
1	ALUMINIUM EXTRUDED SECTION ALLOY 6063-15
1	HEAD SECTION
2	TRANSOM SECTION
3	TOPRAIL SECTION
4	BOTTOMRAIL SECTION
5	SILL SECTION
6	LOCKER STILE SECTION
7	INNER LOCKER STILE SECTION
8	STILE SECTION
9	MULLION SECTION
10	JAMB SECTION
11	SASH SECTION
12	BEAD SECTION

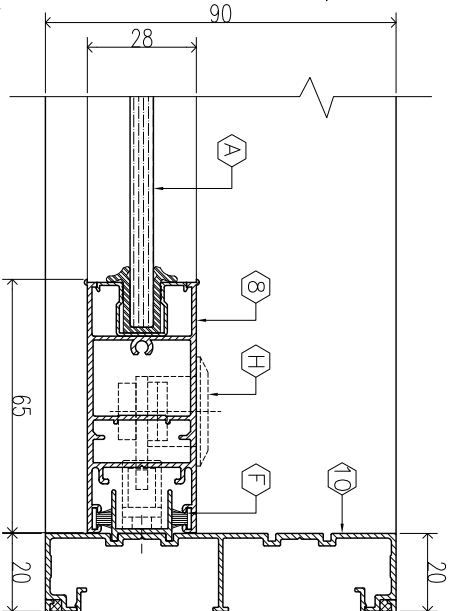
SYMBOL	DESCRIPTION
A	GLASS PANELS
B	SILICONE SEALANT
C	GLAZING GASKET
D	BUBBLE GASKET
E	SCREW & NYLON PLUG
F	WOOL PILE
G	ROLLER SLIDING
H	HANDLE LOCK
I	CAM LOCK
J	SETTING BLOCK



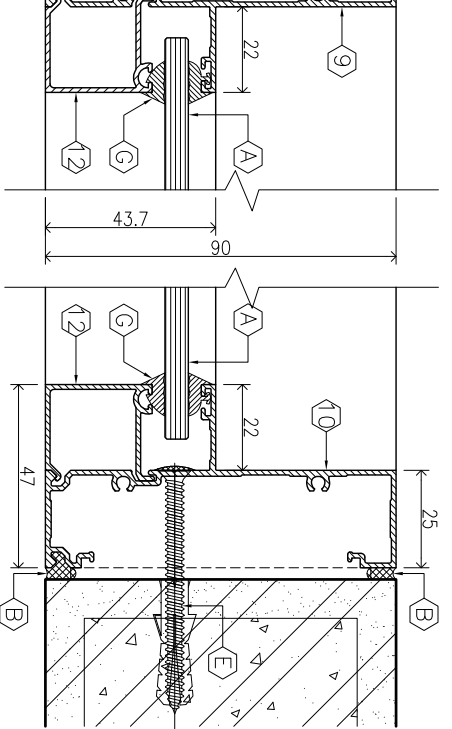
TYPICAL SLIDING DOOR & FIXED ELEVATION



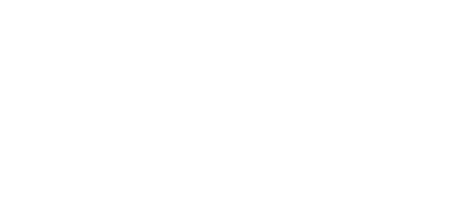
3



4

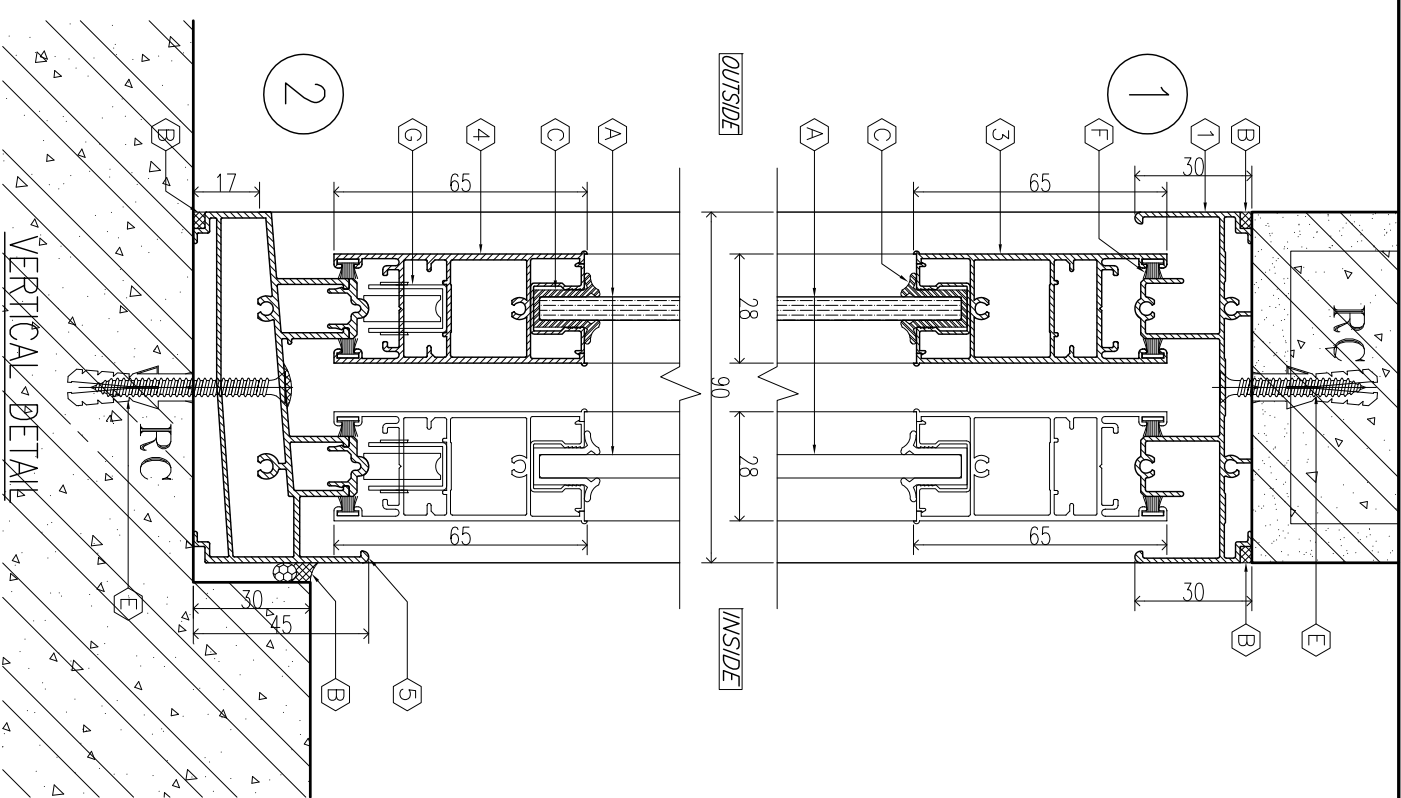


5



6

HORIZONTAL DETAIL

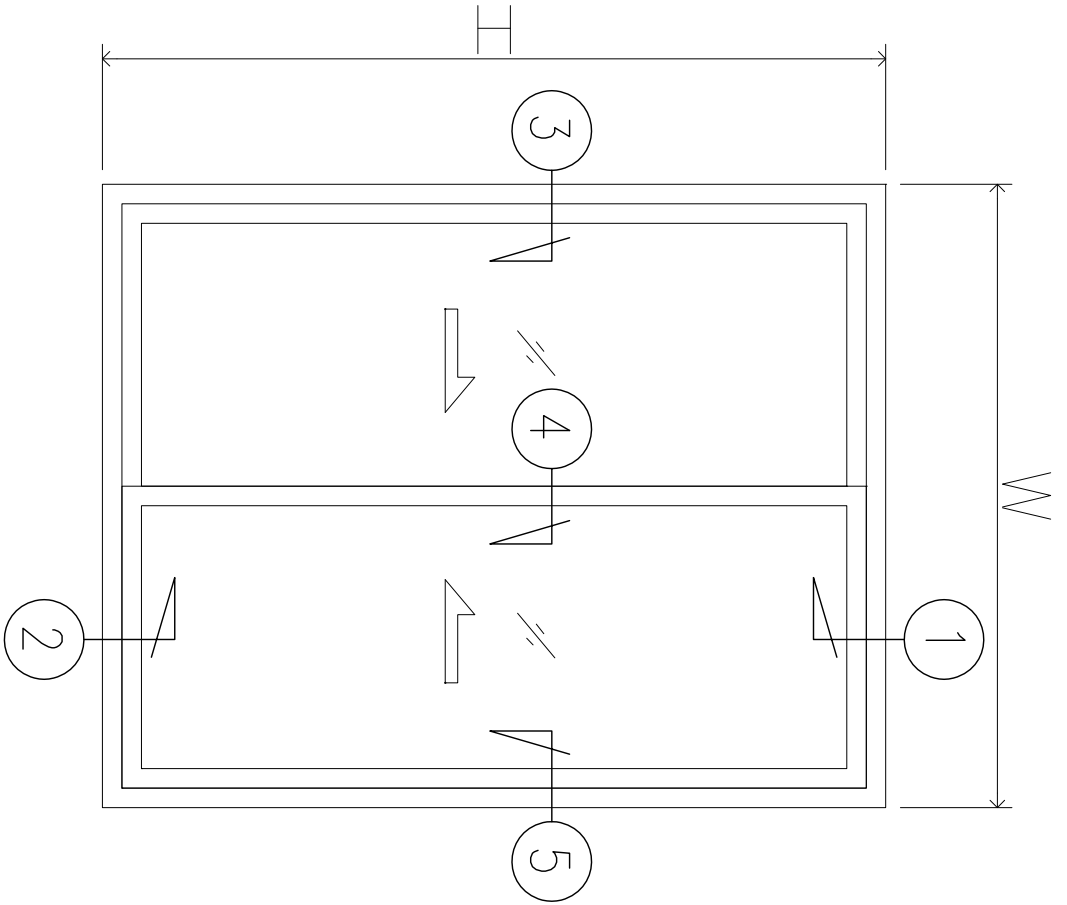
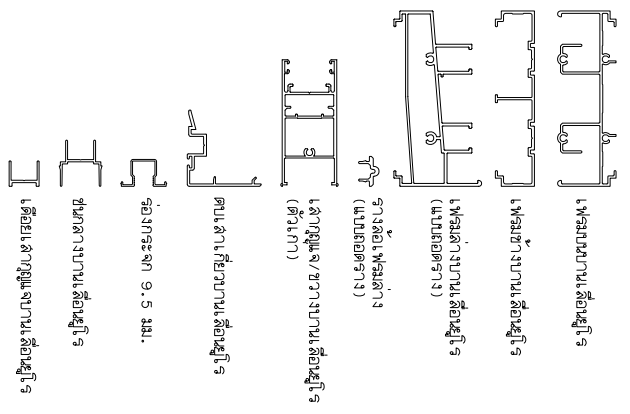


2

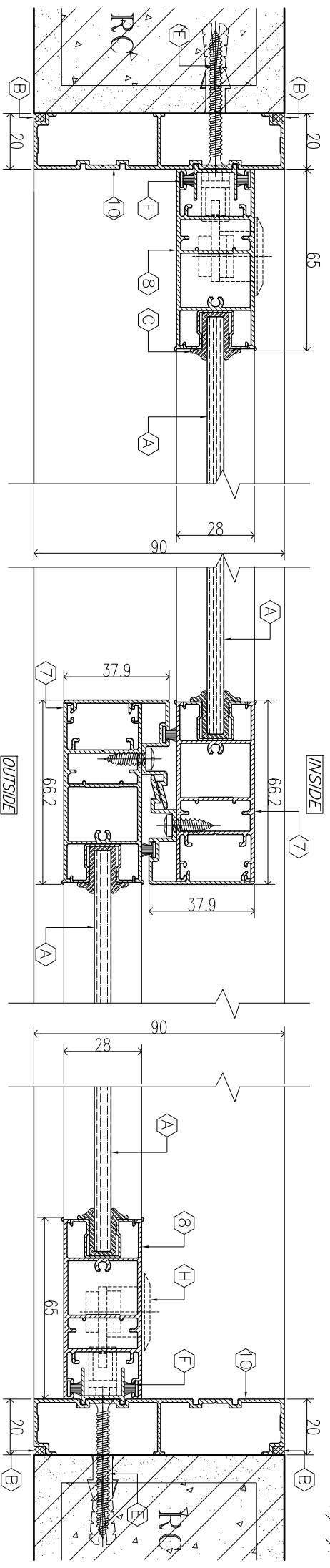
PROJECT : STANDARD PROJECT  
 OWNER :  
 ALUMINIUM CONTRACTOR : ORM  
 DRAWING TITLE : DOOR & WINDOW TYPICAL STANDARD DETAIL  
 NO. DATE DESCRIPTION APPROVED DATE :  
 DESIGN & DWN : MANIT SRISANGSUNG  
 CHKD. BY :  
 SCALE : 1 : 2 (A3)  
 APPROVED BY :  
 DRAWING NO. : SD-02E

SYMBOL	DESCRIPTION
1	ALUMINIUM EXTRUDED SECTION ALLOY 6063-T5
1	HEAD SECTION
2	TRANSOM SECTION
3	TOPRAIL SECTION
4	BOTTOMRAIL SECTION
5	SILL SECTION
6	LOCKER STILE SECTION
7	INNER LOCKER STILE SECTION
8	STILE SECTION
9	MULLION SECTION
10	JAMB SECTION
11	SASH SECTION
12	BEAD SECTION

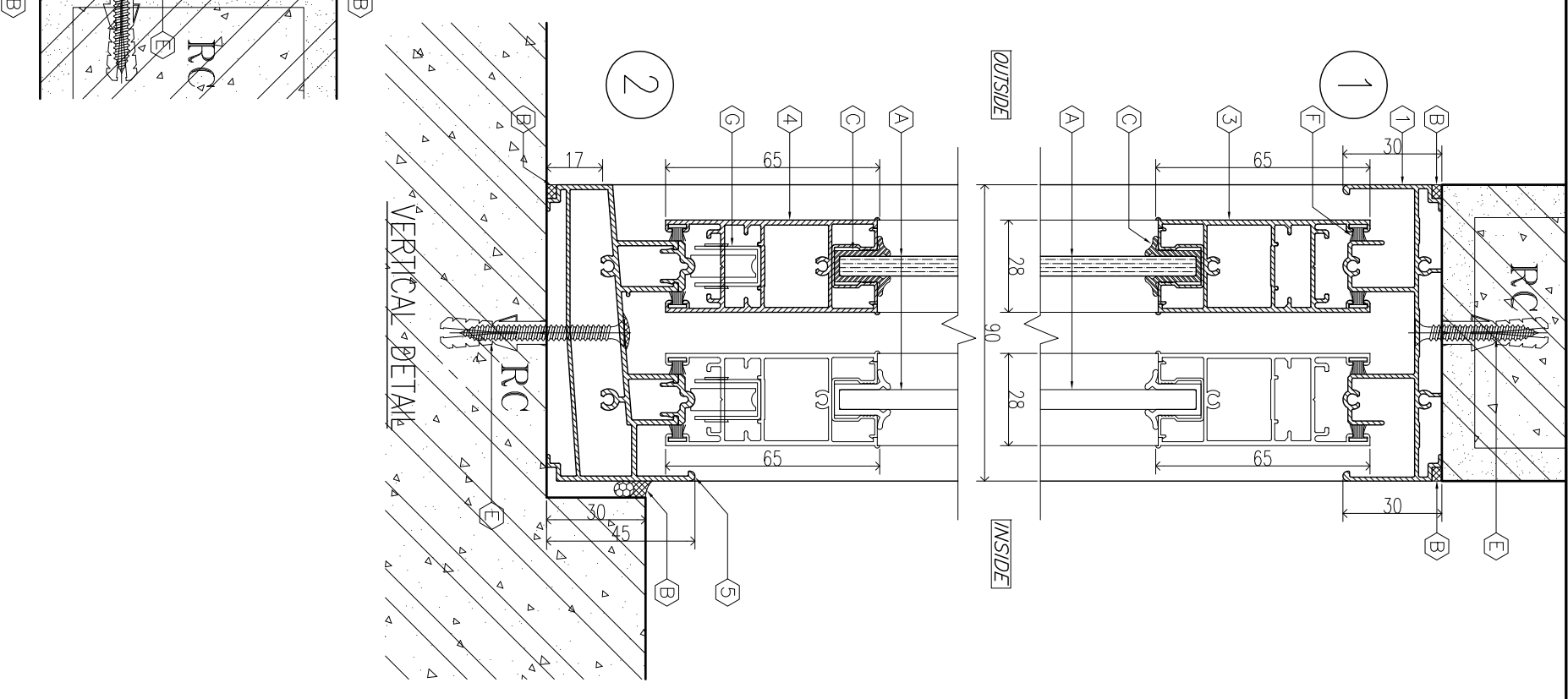
SYMBOL	DESCRIPTION
A	GLASS PANELS
B	SILICONE SEALANT
C	GLAZING GASKET
D	BUBBLE GASKET
E	SCREW & NYLON PLUG
F	WOOL PILE
G	ROLLER SLIDING
H	HANDLE LOCK
I	CAM LOCK
J	SETTING BLOCK



TYPICAL SLIDING DOOR ELEVATION



3



2

HORIZONTAL DETAIL

4

5

PROJECT : STANDARD PROJECT

OWNER :

ALUMINIUM CONTRACTOR : **ORM**

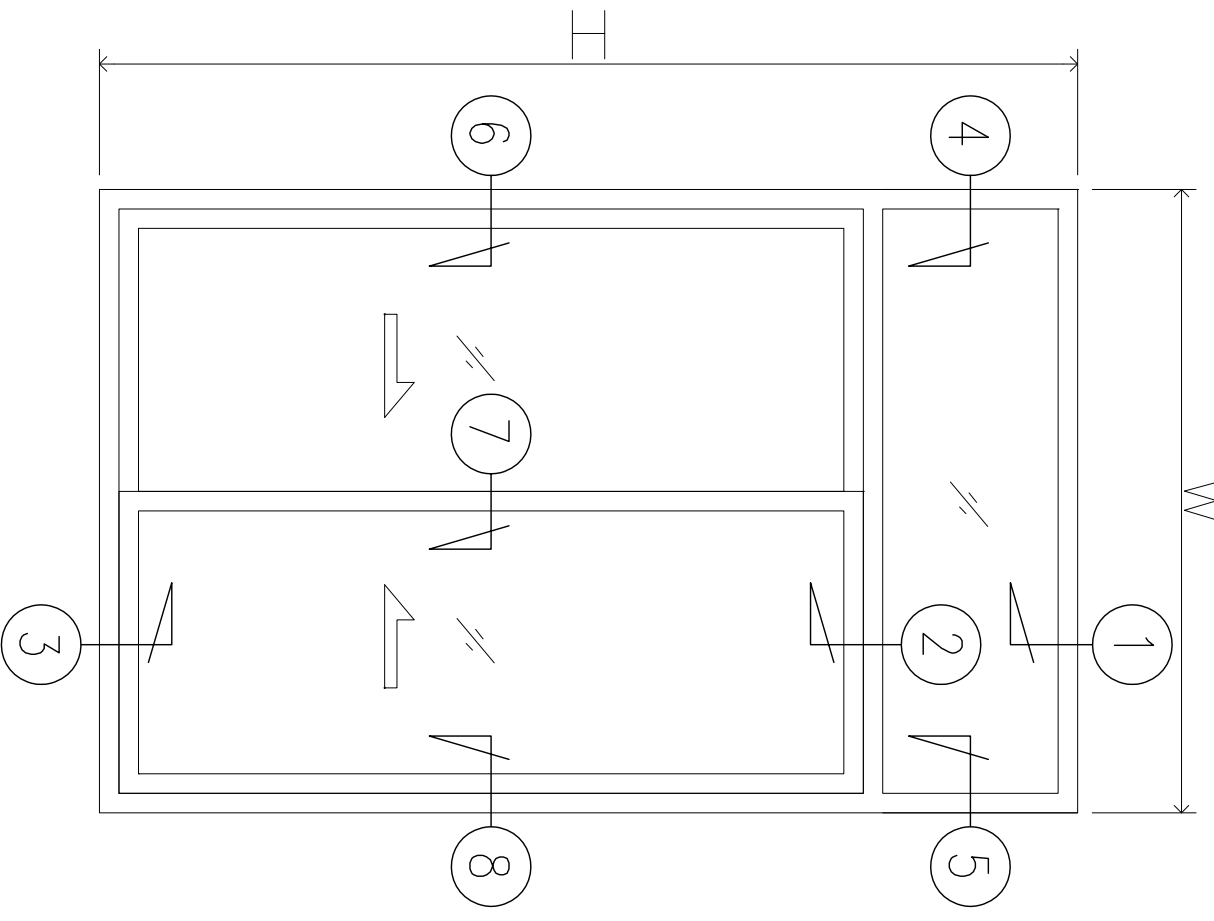
ALUMINIUM ORN (THAILAND) CO.,LTD.  
 27/28 Moo 11, Bangma Bridge  
 Bangma Sub-township, Bangma District,  
 Bangkok 10140, Thailand  
 Tel. : 096-755-8863, 097-755-8864

DRAWING TITLE : DOOR & WINDOW TYPICAL STANDARD DETAIL

NO.	DATE	REVISION DESCRIPTION	APPROVED

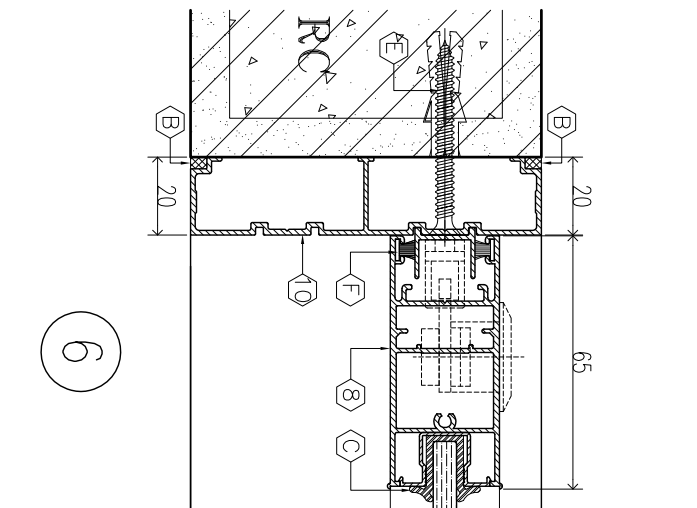
DATE :  
 DESIGN & DWN : MANIT SRISANGSUNG ML.4193  
 CHKD. BY :  
 SCALE : 1 : 2 (A3)

APPROVED BY :  
 DRAWING NO. : SD-03E

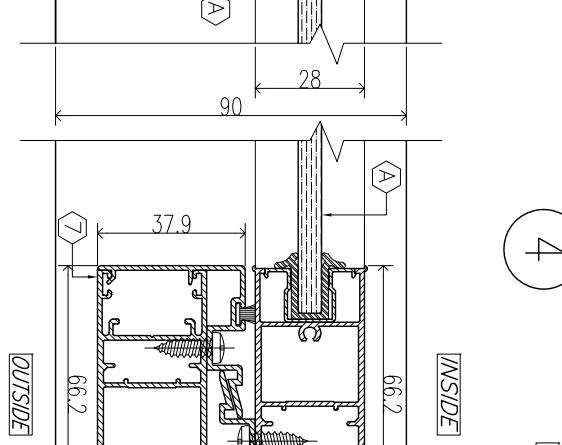


TYPICAL SLIDING DOOR & FIXED ELEVATION

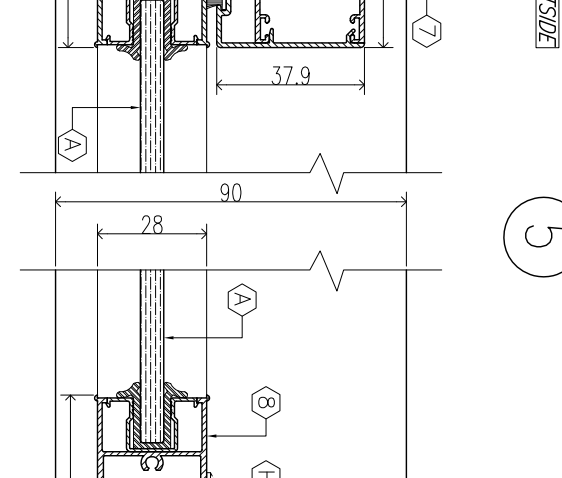
SYMBOL	ALUMINIUM EXTRUDED SECTION ALLOY 6063-T5
1	HEAD SECTION
2	TRANSOM SECTION
3	TOPRAIL SECTION
4	BOTTOMRAIL SECTION
5	SILL SECTION
6	LOCKER STILE SECTION
7	INNER LOCKER STILE SECTION
8	MULLION SECTION
9	JAMB SECTION
10	SASH SECTION
11	BEAD SECTION
12	ACCESSORIES DOOR & WINDOW



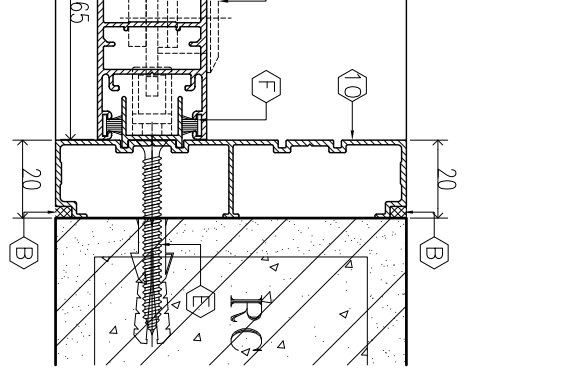
6



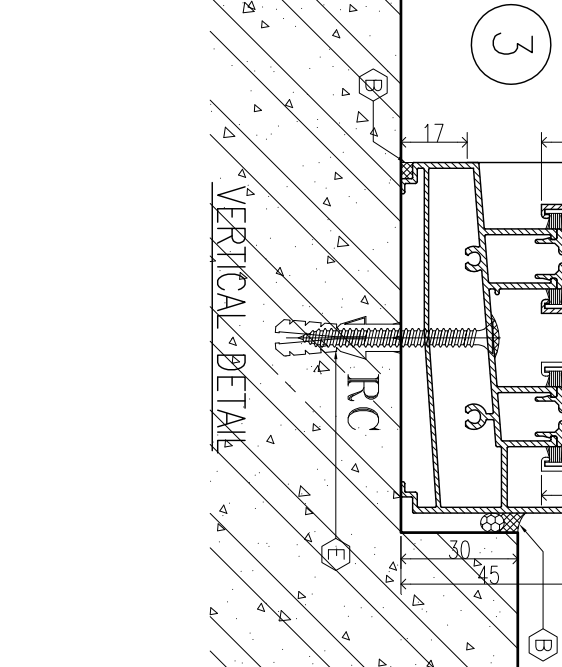
4



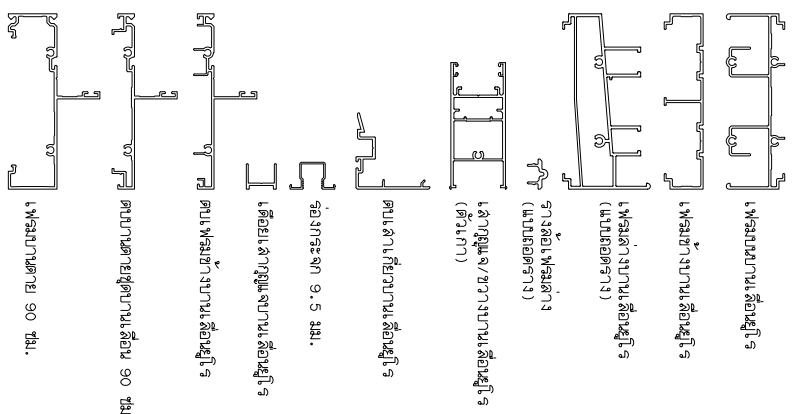
5



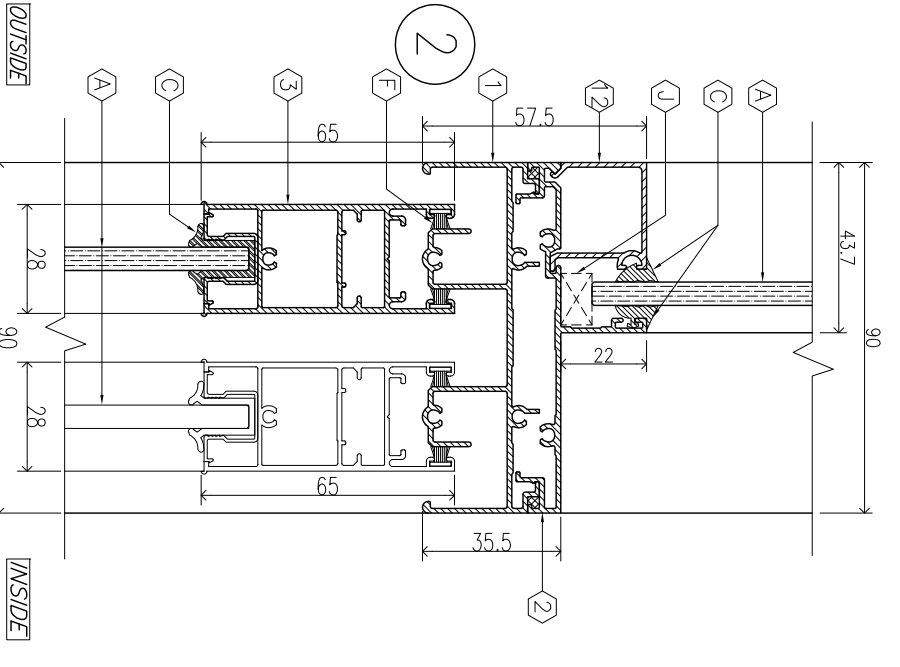
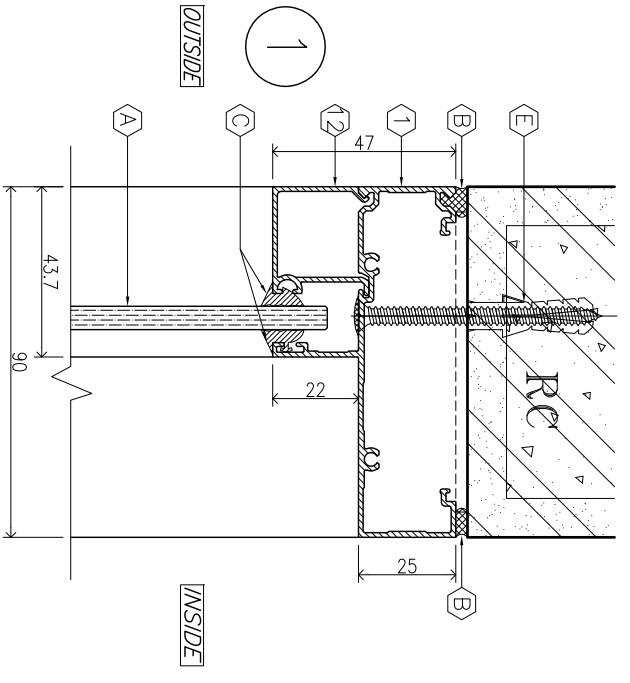
7



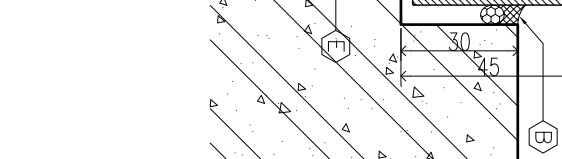
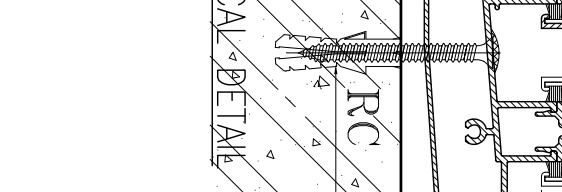
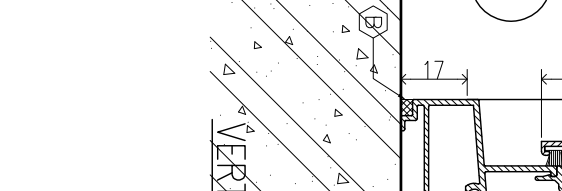
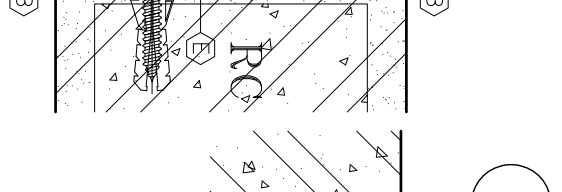
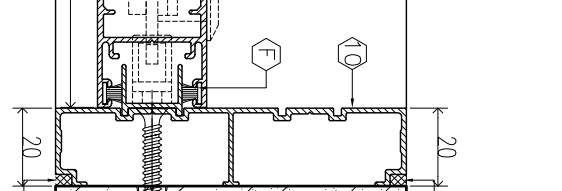
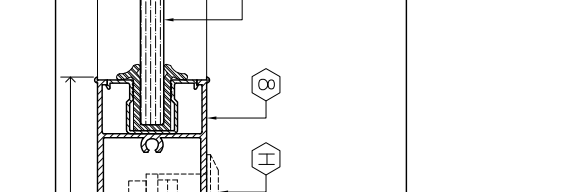
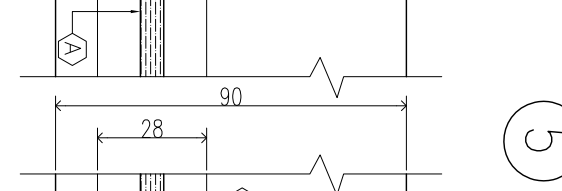
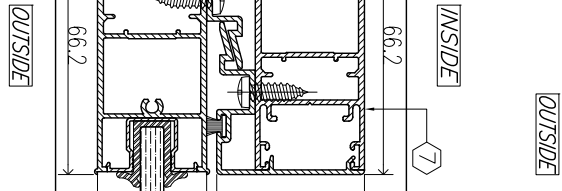
8



VERTICAL DETAIL



HORIZONTAL DETAIL



PROJECT : STANDARD PROJECT

OWNER :

ALUMINIUM CONTRACTOR : **ORM** ALUMINIUM

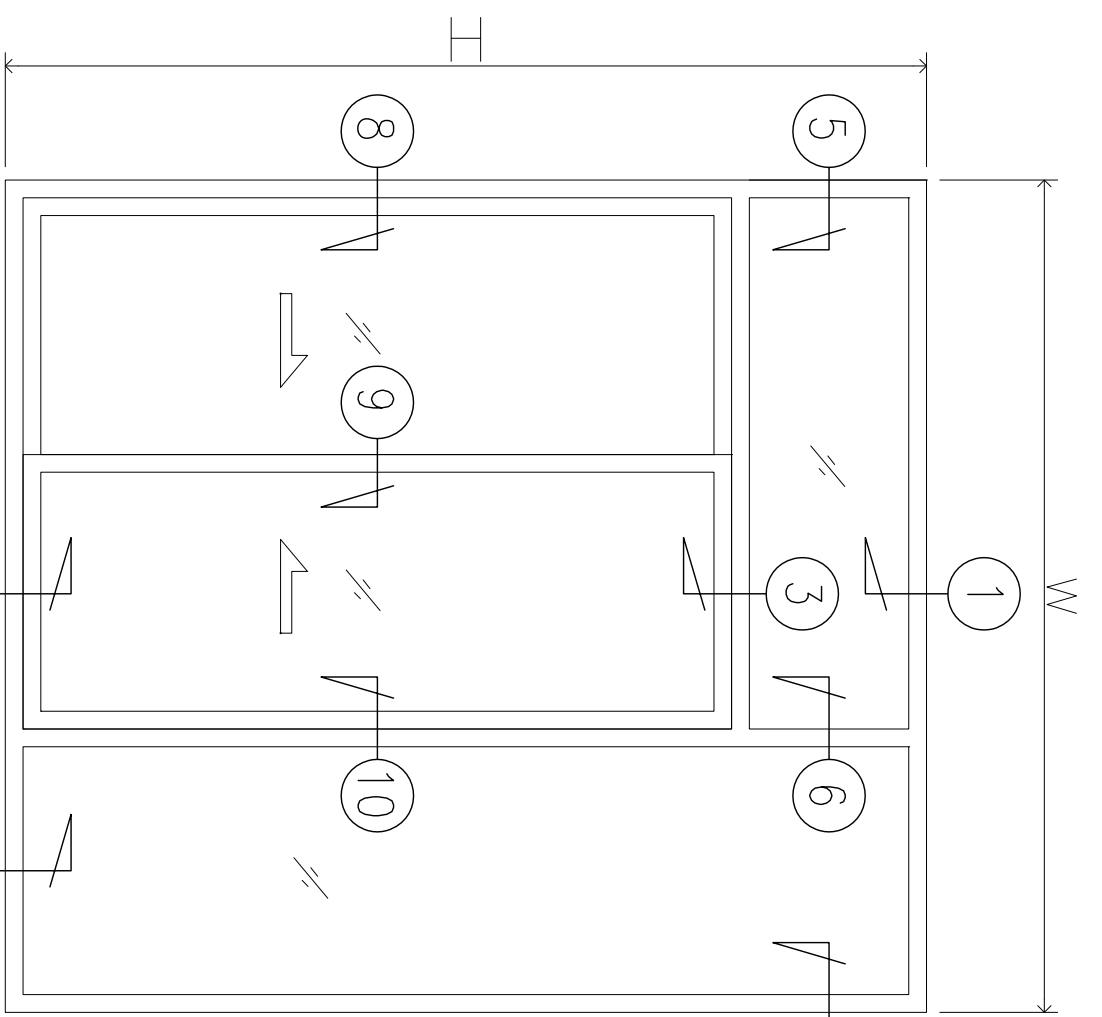
ALUMINIUM CO. (THAILAND) CO., LTD.  
 27/28 Moo 11, Bangna-Prachin Buri Rd., Bang Na District, Bangkok 10700, Thailand  
 Tel. : 096-765-883, 097-765-884

DRAWING TITLE : DOOR & WINDOW TYPICAL STANDARD DETAIL

NO.	DATE	REVISION DESCRIPTION	APPROVED

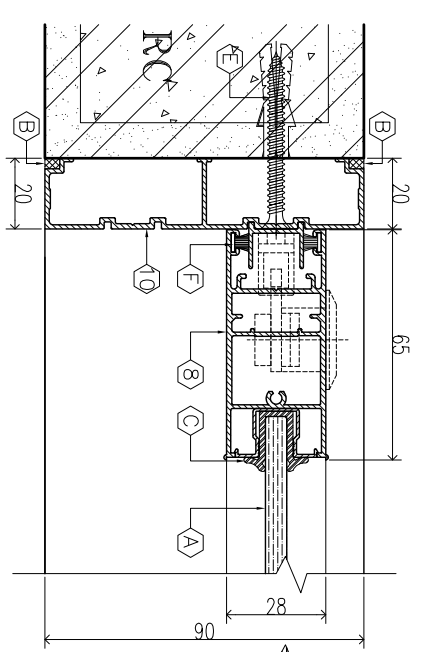
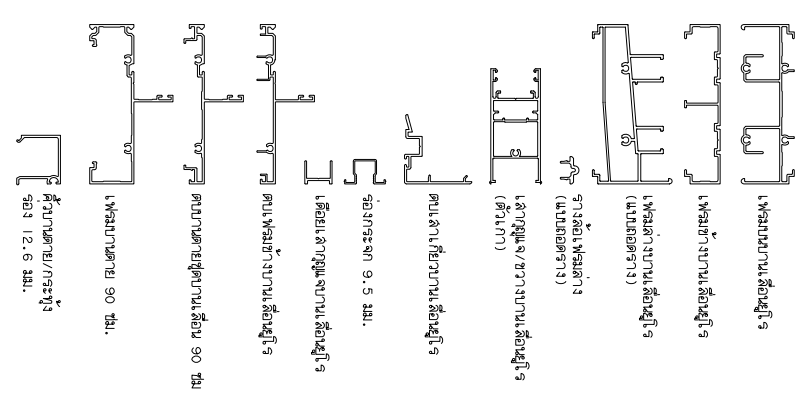
DATE :  
 DESIGN & DWN : MANIT SRISANGSUNG ML.4193  
 CHKD. BY :  
 SCALE : 1 : 2 (A3)

APPROVED BY :  
 DRAWING NO. : SD-04E

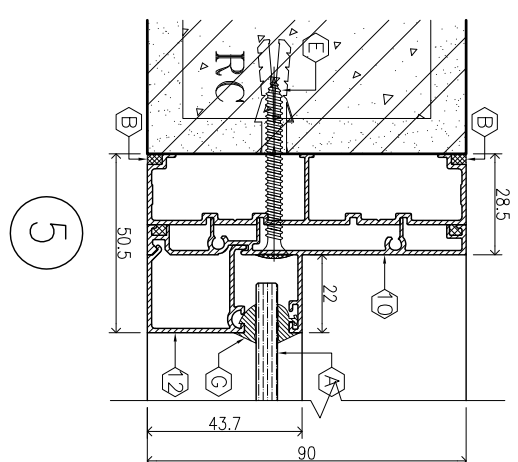


TYPICAL SLIDING DOOR & FIXED ELEVATION

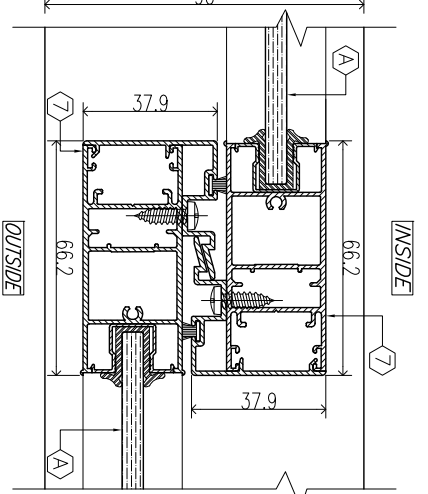
SYMBOL	ACCESSORIES DOOR & WINDOW
1	GLASS PANELS
2	SILICONE SEALANT
3	GLAZING GASKET
4	BUBBLE GASKET
5	SCREW & NYLON PLUG
6	WOOL PILE
7	ROLLER SLIDING
8	HANDLE LOCK
9	CAM LOCK
10	SETTING BLOCK



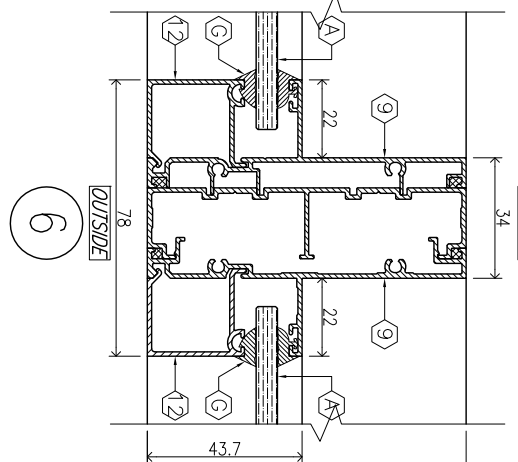
8



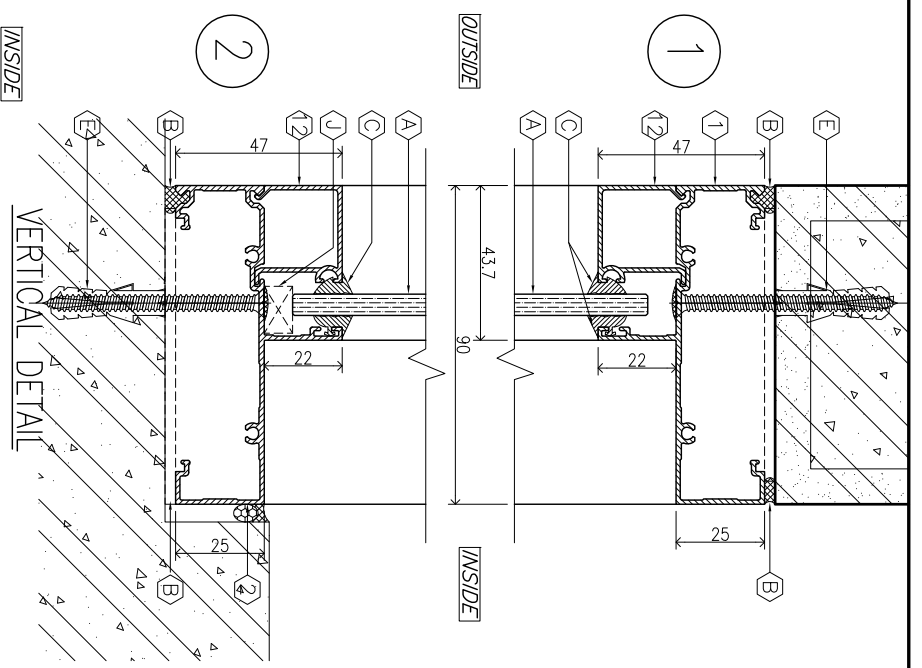
5



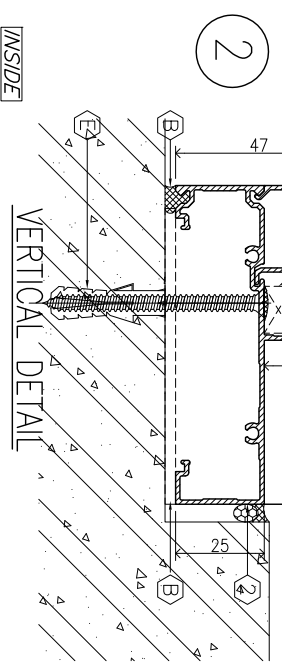
9



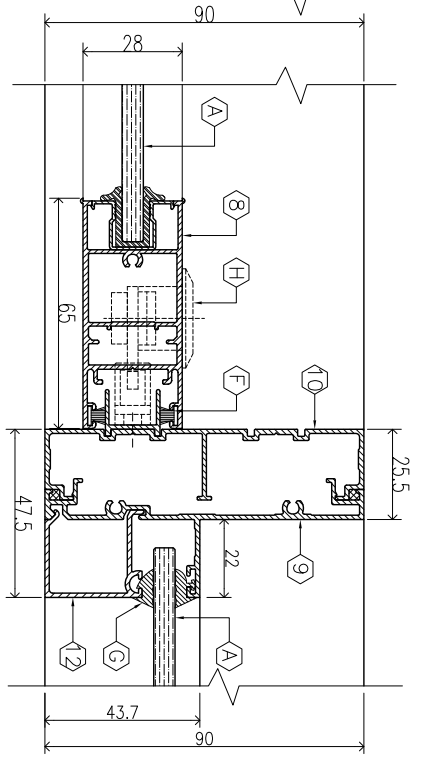
6



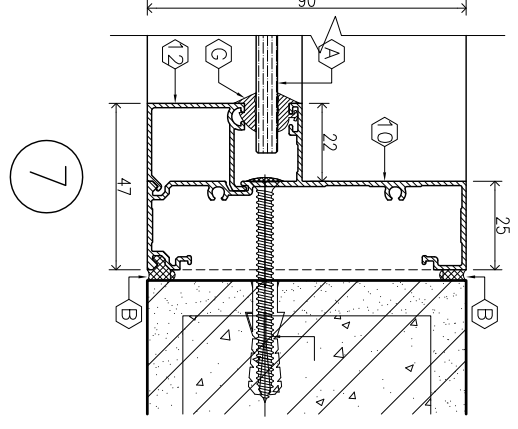
1



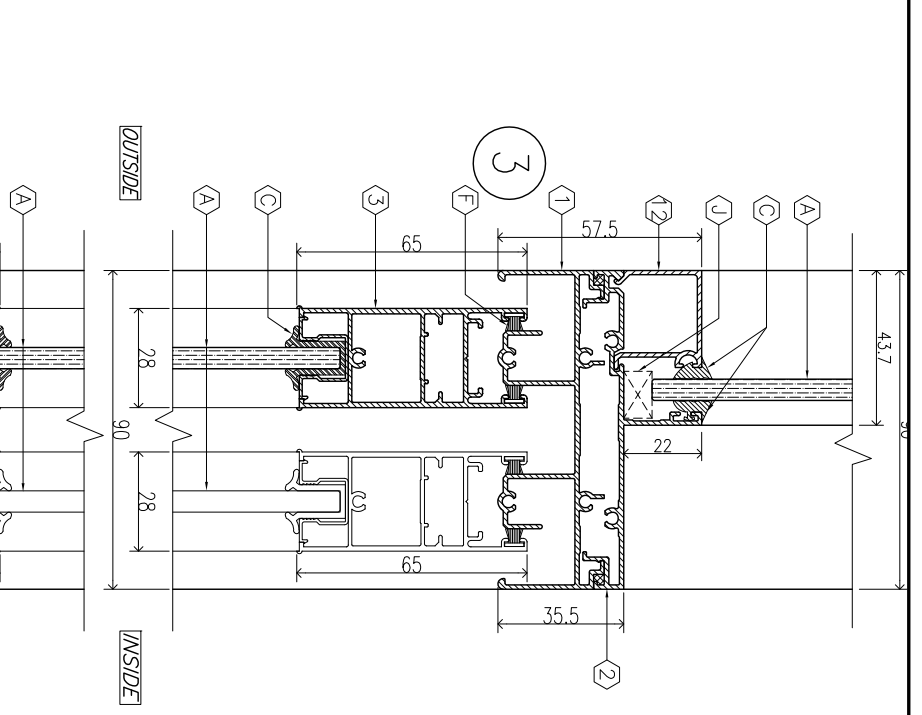
2



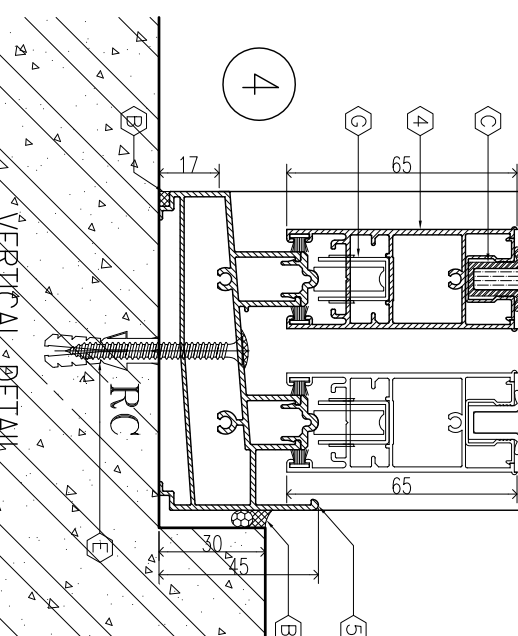
10



7



3



4

HORIZONTAL DETAIL

DOOR & WINDOW TYPICAL STANDARD DETAIL

PROJECT : <b>STANDARD PROJECT</b>	OWNER :	ALUMINIUM CONTRACTOR : <b>ORM</b> ALUMINIUM (THAILAND) CO., LTD. 27/28 Moo 11, Bangna-Boonrut Road, Bangna District, Bangkok 10700, Thailand Tel. : 096-765-8863, 097-765-8864	DRAWING TITLE <b>DOOR &amp; WINDOW TYPICAL STANDARD DETAIL</b>	REVISION	APPROVED BY	
LOCATION :	ALUMINIUM CONTRACTOR :	DATE :	NO.	DATE	DESCRIPTION	APPROVED
LOCATION :	ALUMINIUM CONTRACTOR :	DESIGN & DIM : MANIT SRISANGSUNG TEL. 4193	CHKD. BY :	SCALE :	1 : 2.2 (A3)	DRAWING NO. <b>SD-05E</b>