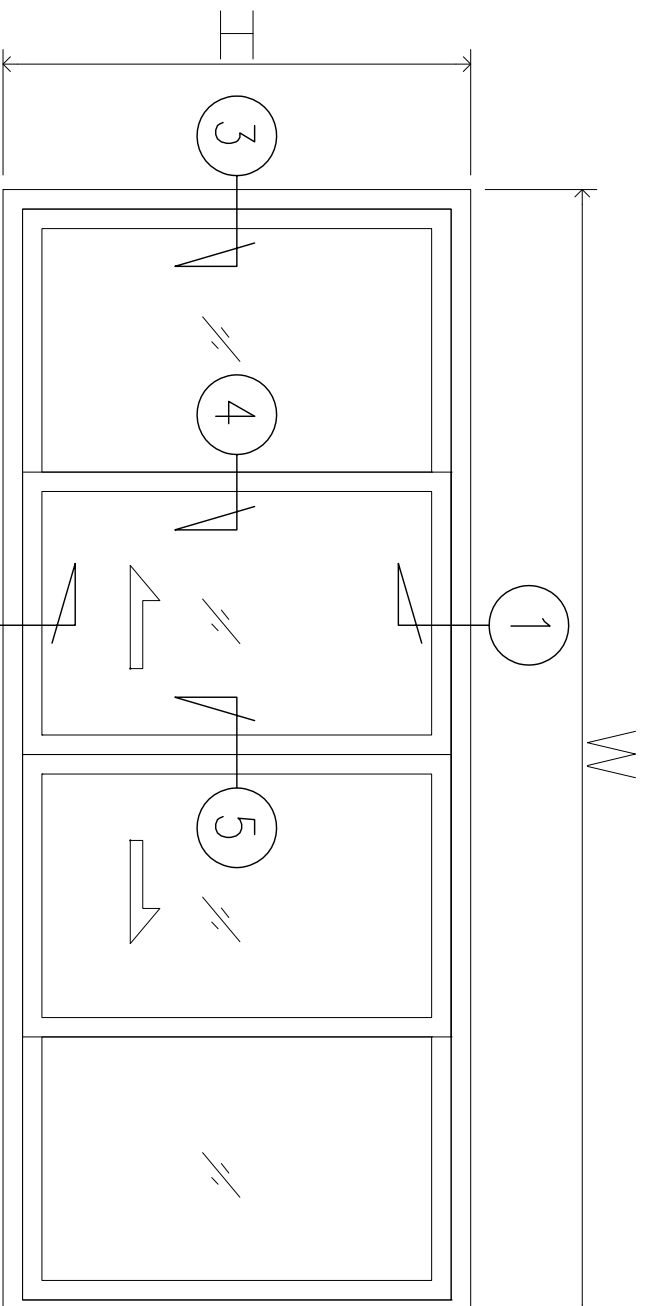
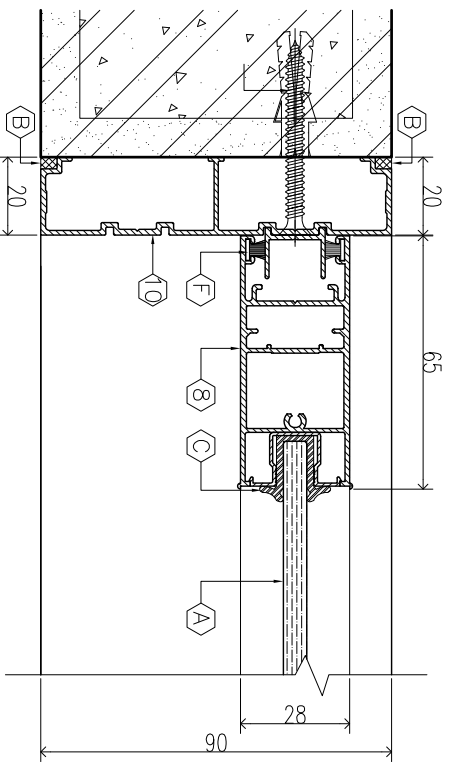


၁။ သို့မဟုတ် - - - - -

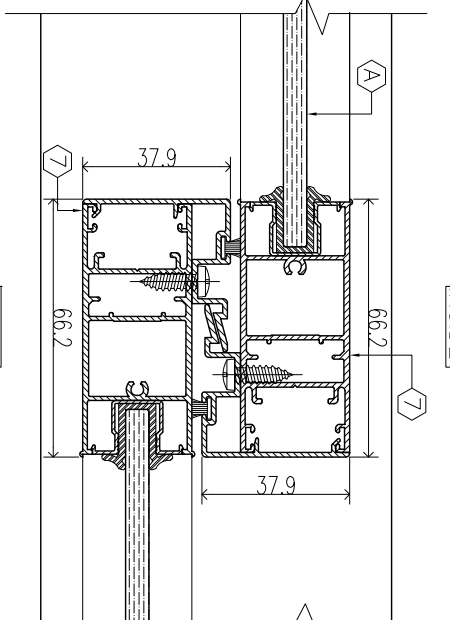
Symbol	ALUMINIUM EXTRUDED SECTION ALLOY 6063-T5
1	HEAD SECTION
2	TRANSOM SECTION
3	TOPRAIL SECTION
4	BOTTOMRAIL SECTION
5	SILL SECTION
6	LOCKER STILE SECTION
7	INNER LOCKER STILE SECTION
8	STILE SECTION
9	MULLION SECTION
10	JAMB SECTION
11	SASH SECTION
12	BEAD SECTION
	ACCESSORIES DOOR & WINDOW
A	GLASS PANELS
B	SILICONE SEALANT
C	GLAZING GASKET
D	BUBBLE GASKET
E	SCREW & NYLON PLUG
F	WOOL PILE
G	ROLLER SLIDING
H	HANDLE LOCK
I	CAM LOCK
J	SETTING BLOCK



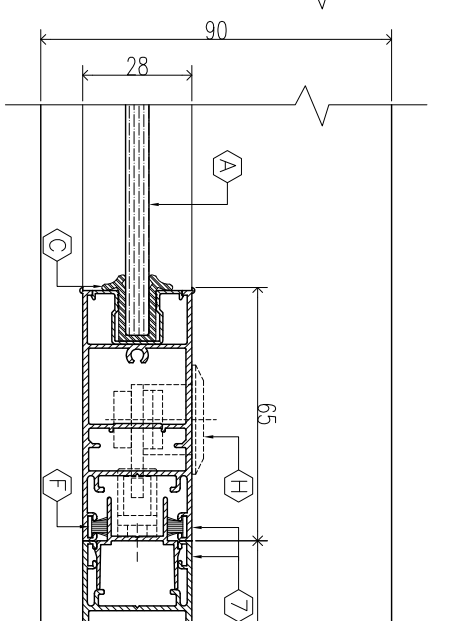
TYPICAL SLIDING WINDOW ELEVATION



3

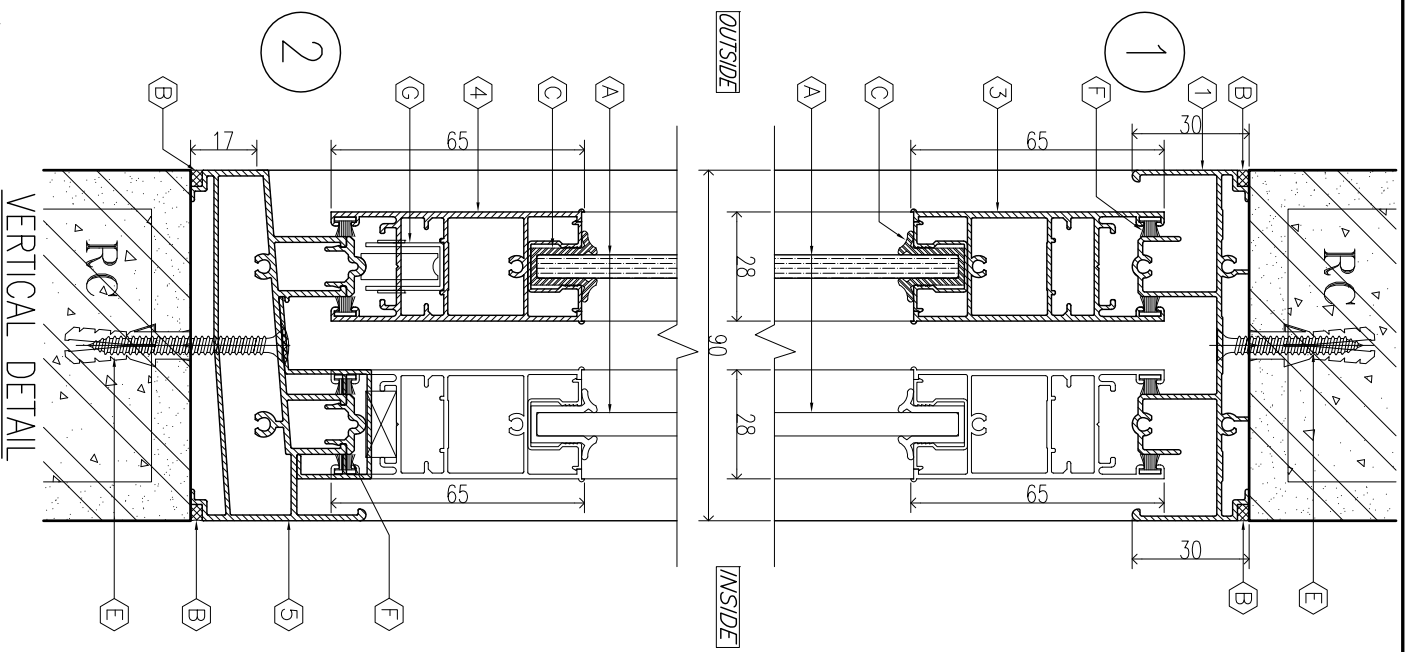


4



5

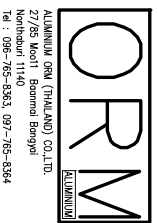
HORIZONTAL DETAIL



2

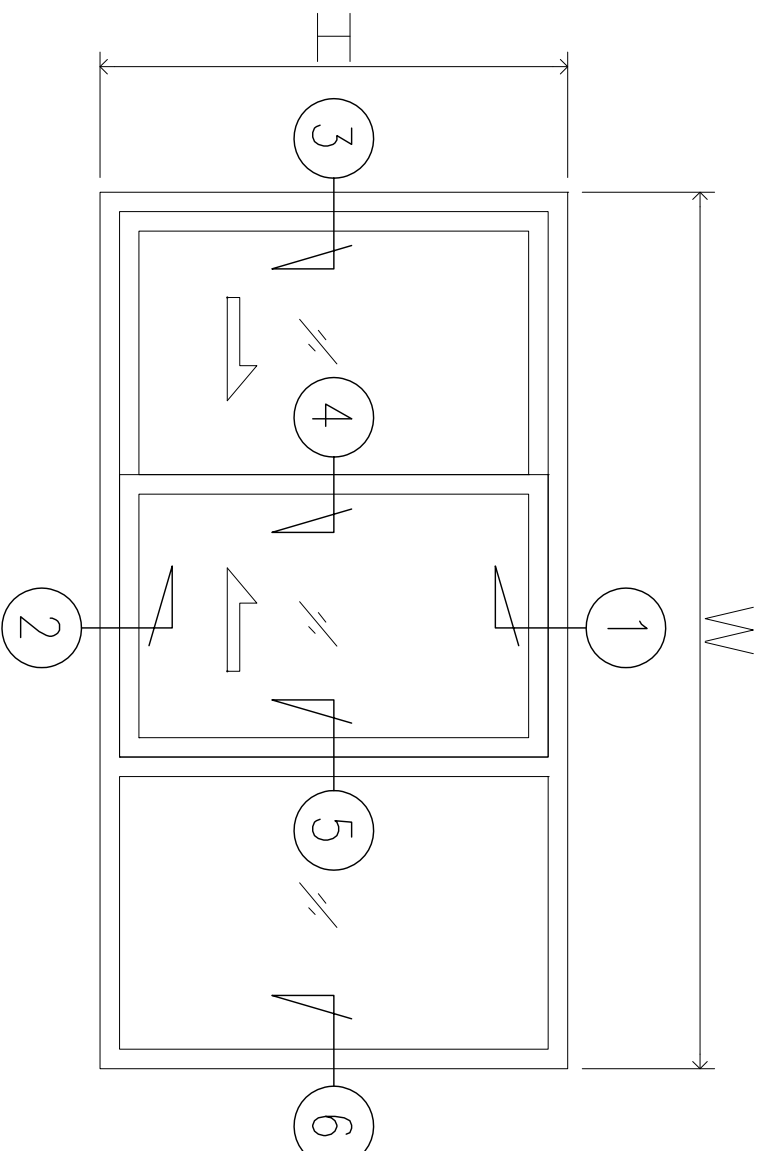
VERTICAL DETAIL

PROJECT : <b>STANDARD PROJECT</b>	OWNER :	ALUMINIUM CONTRACTOR :	DRAWING TITLE	REVISION	DATE :	APPROVED BY
LOCATION :			DOOR & WINDOW TYPICAL STANDARD DETAIL	NO. DATE DESCRIPTION APPROVED	DESIGN & DWN : MANIT SRISANGSUNG ML.4193	
					CHKD. BY :	DRAWING NO. <b>SW-01F</b>
					SCALE : 1 : 2 (A3)	

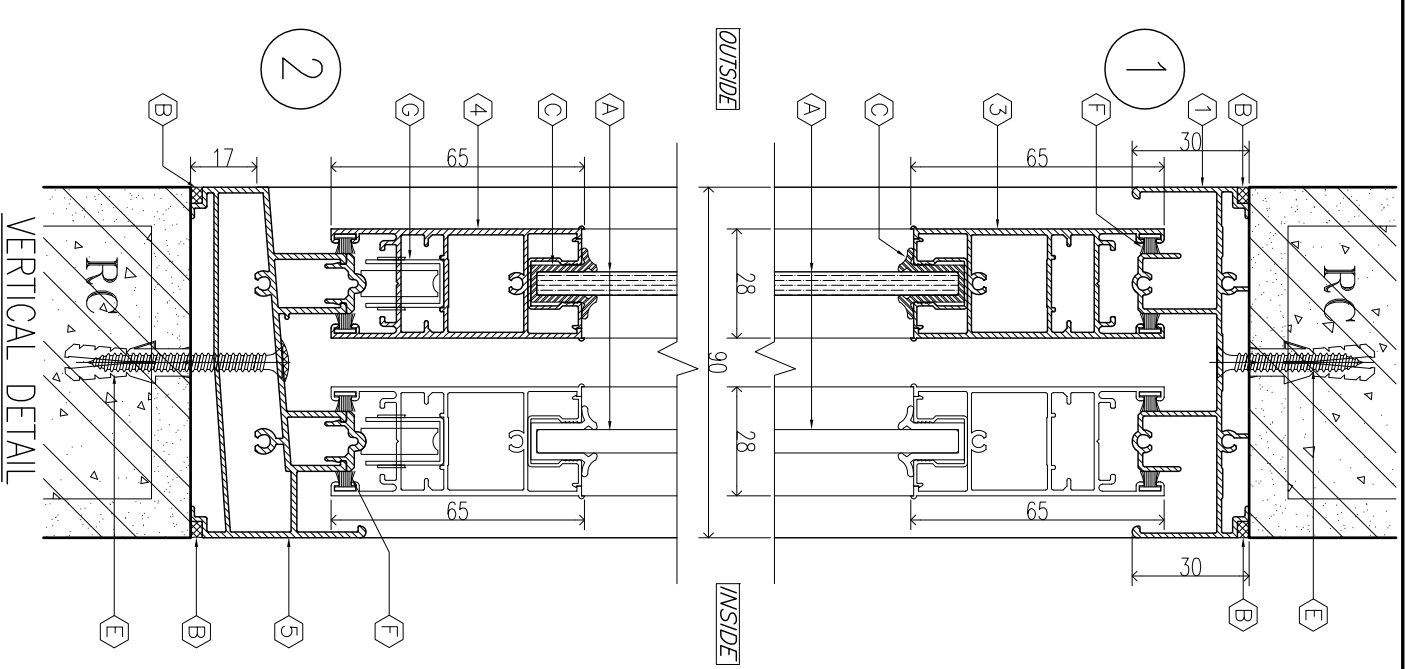


SYMBOL	ACCESSORIES DOOR & WINDOW
(A)	GLASS PANELS
(B)	SILICONE SEALANT
(C)	GLAZING GASKET
(D)	BUBBLE GASKET
(E)	SCREW & NYLON PLUG
(F)	WOOL PILE
(G)	ROLLER SLIDING
(H)	HANDLE LOCK
(I)	CAM LOCK
(J)	SETTING BLOCK

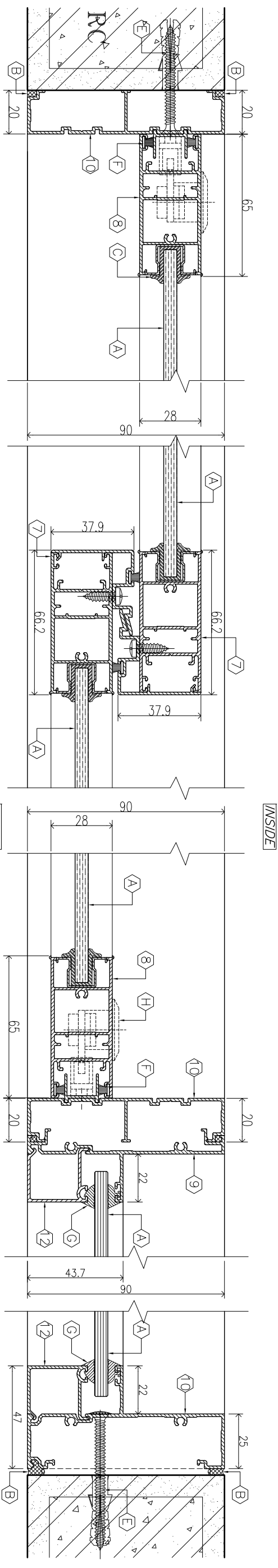
SYMBOL	ALUMINIUM EXTRUDED SECTION ALLOY 6063-T5
(1)	HEAD SECTION
(2)	TRANSOM SECTION
(3)	TOPRAIL SECTION
(4)	BOTTOMRAIL SECTION
(5)	SILL SECTION
(6)	LOCKER STILE SECTION
(7)	INNER LOCKER STILE SECTION
(8)	STILE SECTION
(9)	MULLION SECTION
(10)	JAMB SECTION
(11)	SASH SECTION
(12)	BEAD SECTION



TYPICAL SLIDING WINDOW & FIXED ELEVATION



VERTICAL DETAIL



HORIZONTAL DETAIL

PROJECT : **STANDARD PROJECT**

OWNER :

ALUMINIUM CONTRACTOR :

**ORM**

ALUMINIUM ORN (THAILAND) CO.,LTD.  
27/28 Moo 11, Bangna-Boonrat Road, Bangna District, Bangkok 10700, Thailand  
Tel. : 096-755-8363, 093-765-8364

DRAWING TITLE : **DOOR & WINDOW TYPICAL STANDARD DETAIL**

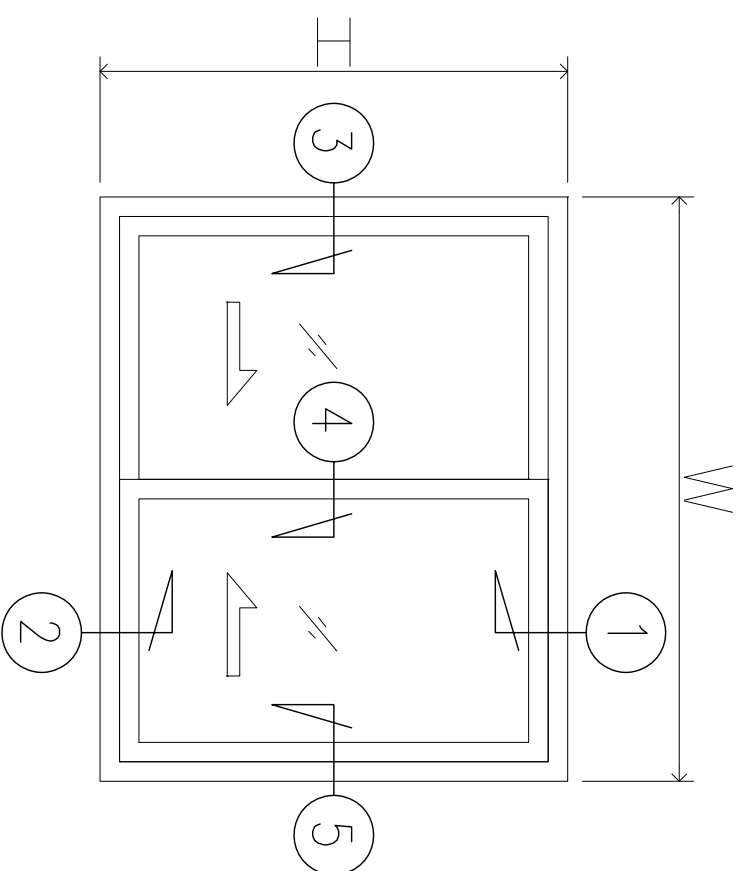
NO.	DATE	REVISION DESCRIPTION	APPROVED

DATE :  
DESIGN & DWN : MANIT SRISANGSUNG ML.4193  
CHKD. BY :  
SCALE : 1 : 2 (A3)

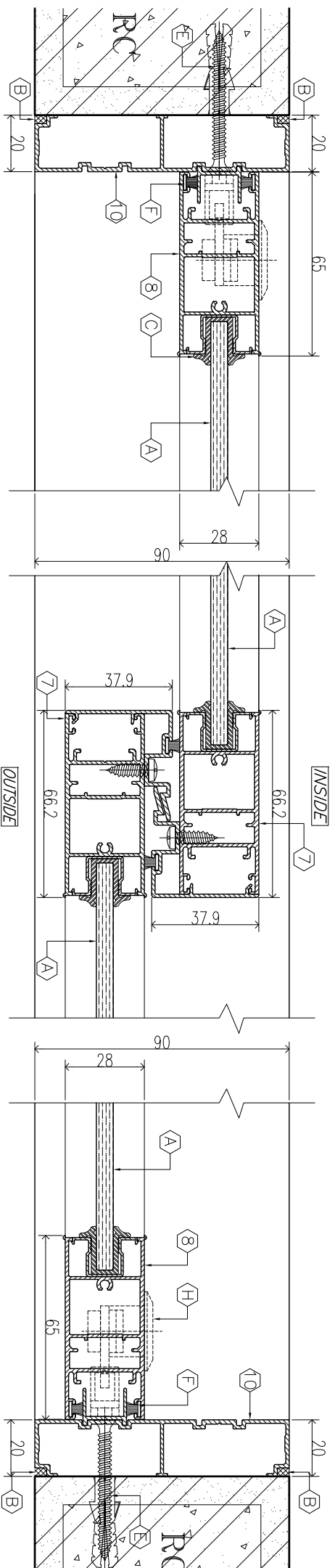
APPROVED BY :  
DRAWING NO. : **SW-02F**

SYMBOL	ALUMINIUM EXTRUDED SECTION ALLOY 6063-T5
①	HEAD SECTION
②	TRANSOM SECTION
③	TOPRAIL SECTION
④	BOTTOMRAIL SECTION
⑤	SILL SECTION
⑥	LOCKER STILE SECTION
⑦	INNER LOCKER STILE SECTION
⑧	STILE SECTION
⑨	MULLION SECTION
⑩	JAMB SECTION
⑪	SASH SECTION
⑫	BEAD SECTION

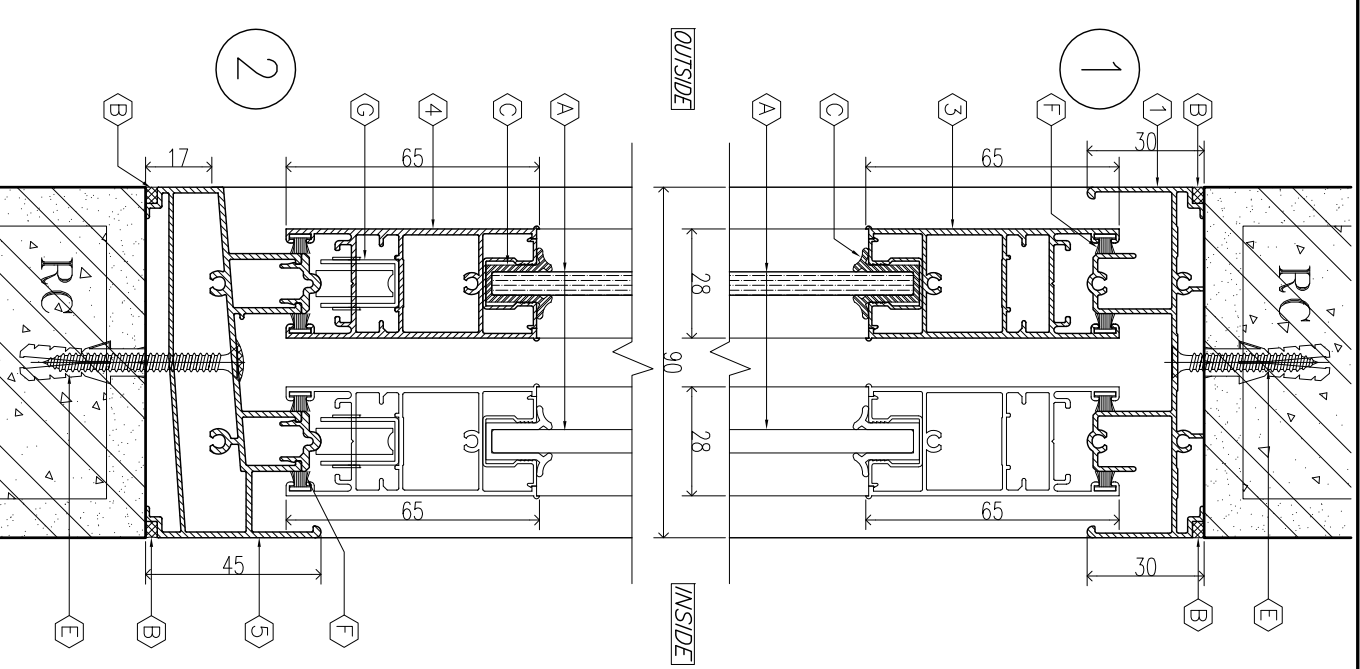
SYMBOL	ACCESSORIES DOOR & WINDOW
Ⓐ	GLASS PANELS
Ⓑ	SILICONE SEALANT
Ⓒ	GLAZING GASKET
Ⓓ	BUBBLE GASKET
Ⓔ	SCREW & NYLON PLUG
Ⓕ	WOOL PILE
Ⓖ	ROLLER SLIDING
Ⓗ	HANDLE LOCK
Ⓘ	CAM LOCK
Ⓝ	SETTING BLOCK



TYPICAL SLIDING WINDOW ELEVATION



HORIZONTAL DETAIL



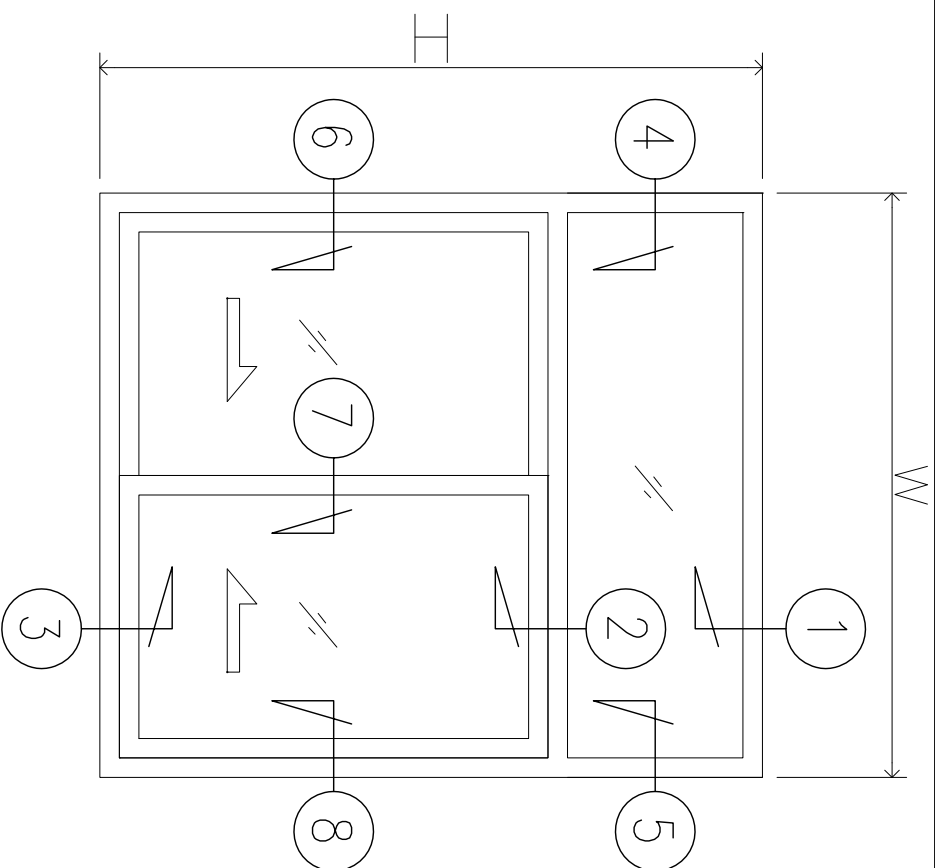
VERTICAL DETAIL

3

4

5

PROJECT : <b>STANDARD PROJECT</b>	OWNER :	ALUMINIUM CONTRACTOR : <b>ORM</b> ALUMINIUM ORN (THAILAND) CO.,LTD. 27/28 Moo 111, Bangma Bostage Bangkok 10110, Thailand Tel. : 096-756-8863, 093-765-8864	DRAWING TITLE DOOR & WINDOW TYPICAL STANDARD DETAIL	REVISION	DATE	APPROVED BY	DATE :	APPROVED BY
LOCATION :	LOCATION :			NO.	DATE	DESCRIPTION	DESIGN & DWGN : MANIT SRISANGSUNG ML.4193	DRAWING NO. <b>SW-03F</b>
							CHKD. BY :	SCALE : 1 : 2 (A3)

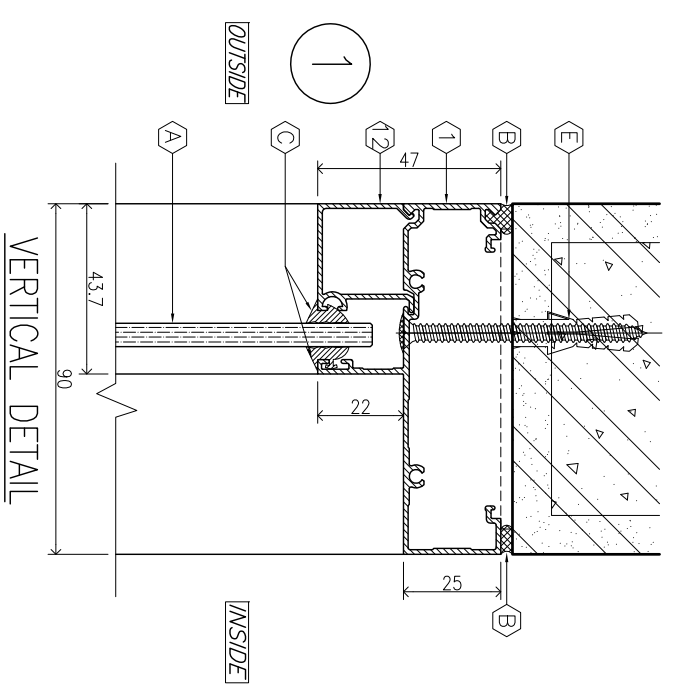


TYPICAL SLIDING WINDOW & FIXED ELEVATION

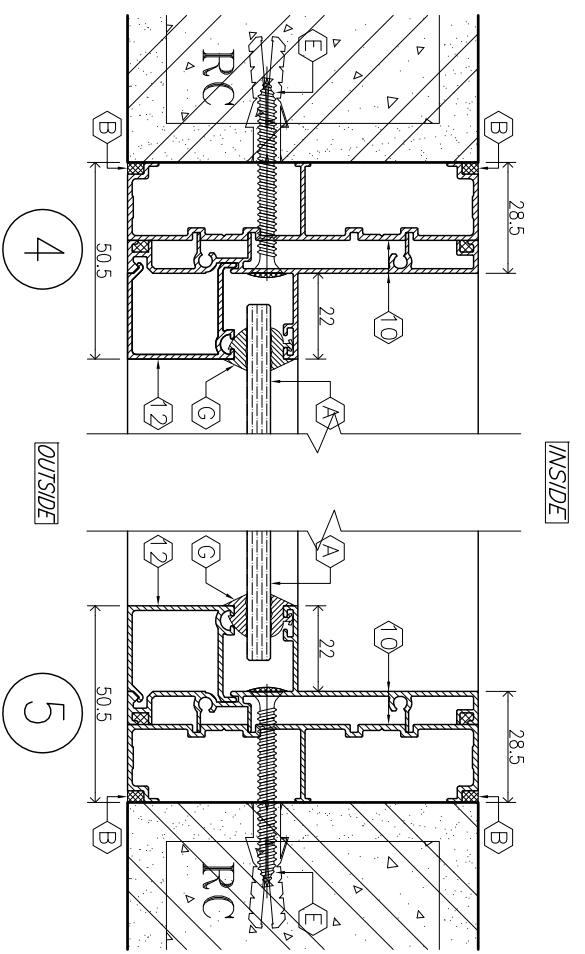
SYMBOL	ALUMINIUM EXTRUDED SECTION ALLOY 6063-T5
①	HEAD SECTION
②	TRANSOM SECTION
③	TOPRAIL SECTION
④	BOTTOMRAIL SECTION
⑤	SILL SECTION
⑥	LOCKER STILE SECTION
⑦	INNER LOCKER STILE SECTION
⑧	STILE SECTION
⑨	MULLION SECTION
⑩	JAMB SECTION
⑪	SASH SECTION
⑫	BEAD SECTION

SYMBOL	ACCESSORIES DOOR & WINDOW
Ⓐ	GLASS PANELS
Ⓑ	SILICONE SEALANT
Ⓒ	GLAZING GASKET
Ⓓ	BUBBLE GASKET
Ⓔ	SCREW & NYLON PLUG
Ⓕ	WOOL PILE
Ⓖ	ROLLER SLIDING
Ⓗ	HANDLE LOCK
Ⓘ	CAM LOCK
Ⓝ	SETTING BLOCK

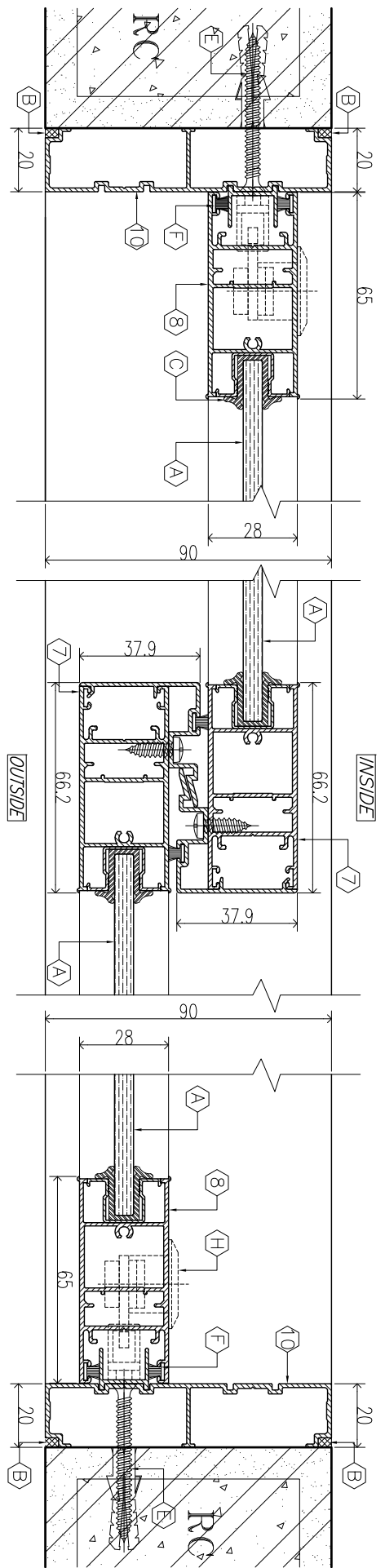


VERTICAL DETAIL



④

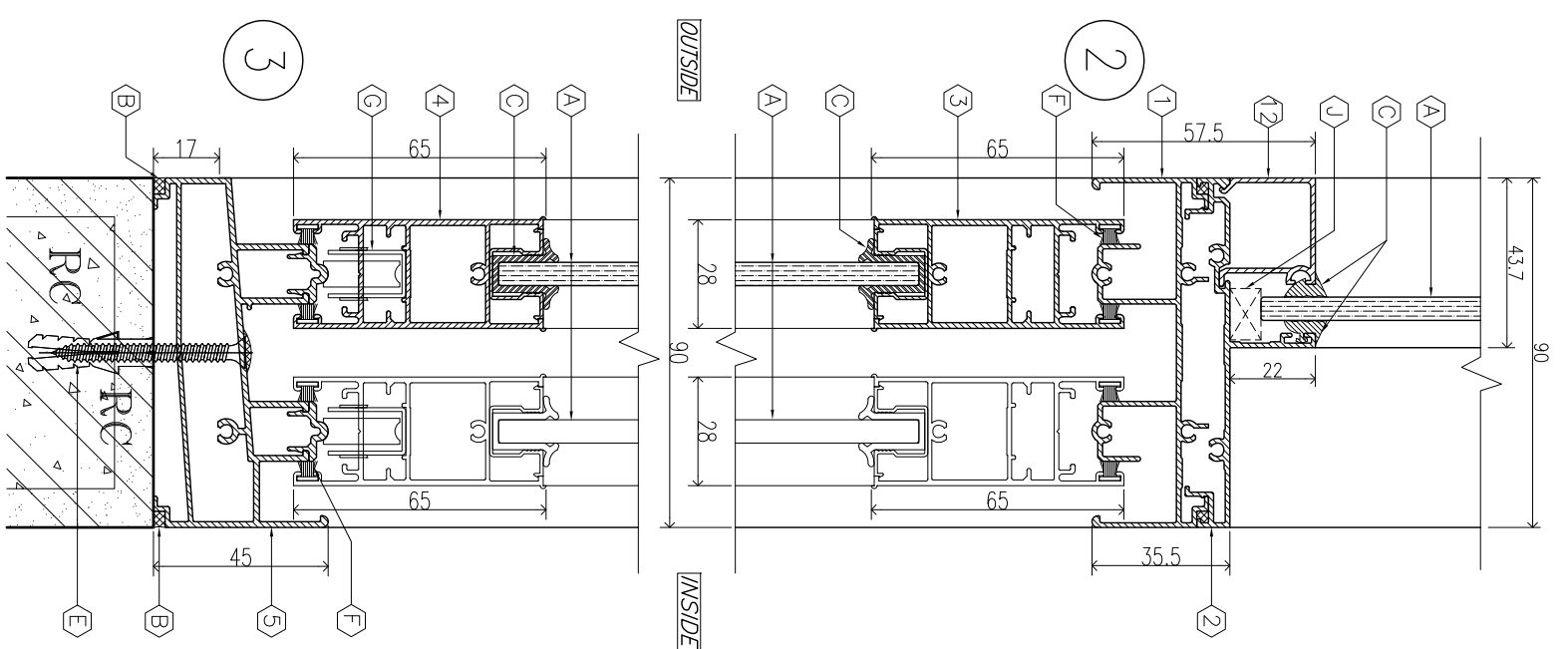
⑤



⑥

⑦

⑧



VERTICAL DETAIL

③

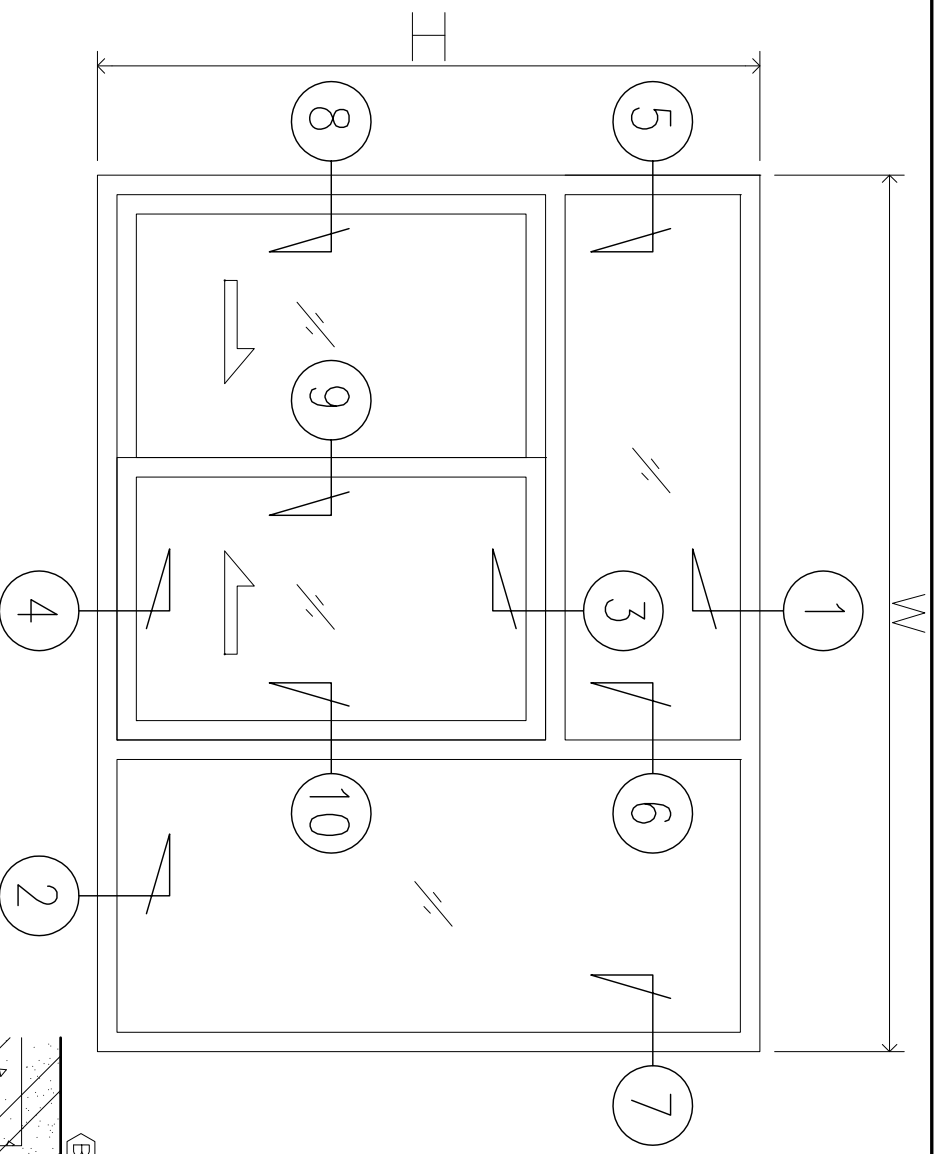
HORIZONTAL DETAIL

PROJECT : **STANDARD PROJECT**      OWNER :      ALUMINIUM CONTRACTOR : **ORM**      DRAWING TITLE : **DOOR & WINDOW TYPICAL STANDARD DETAIL**

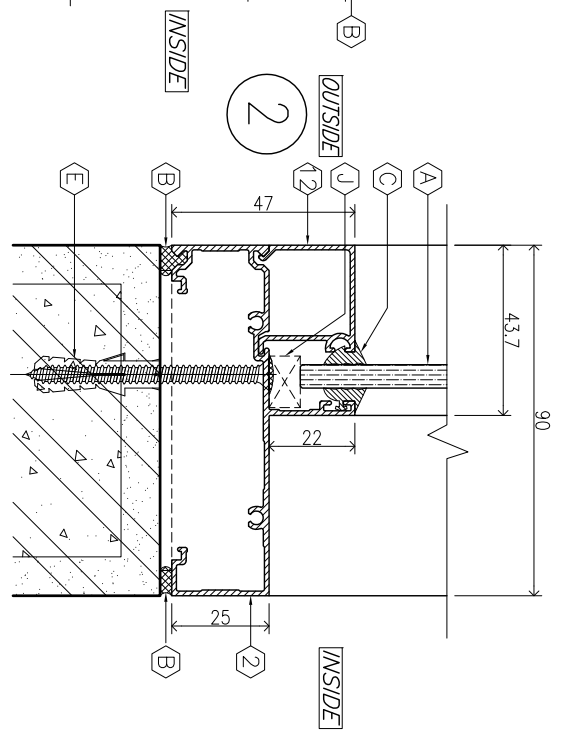
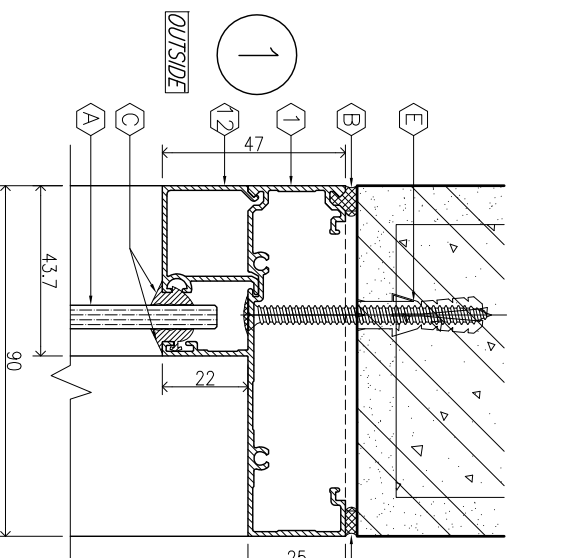
LOCATION :      LOCATION :      LOCATION :      DRAWING NO. : **SW-04F**

NO.	DATE	REVISION DESCRIPTION	APPROVED

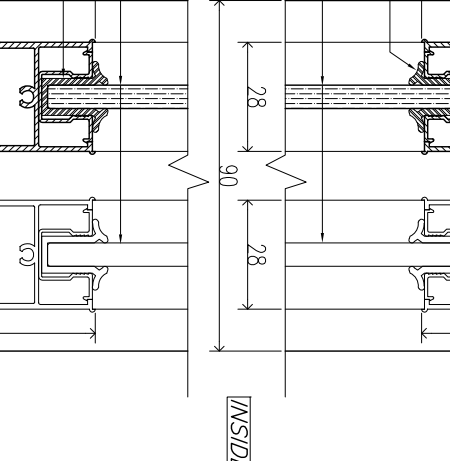
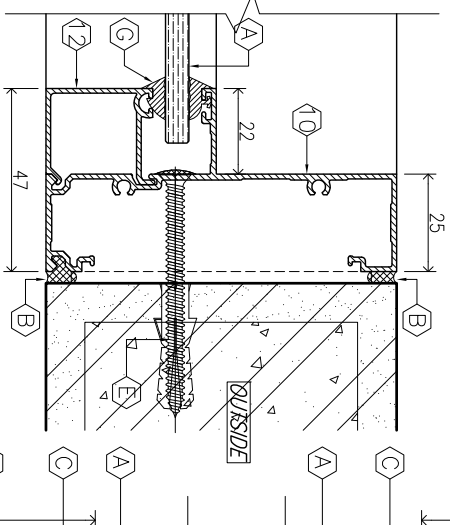
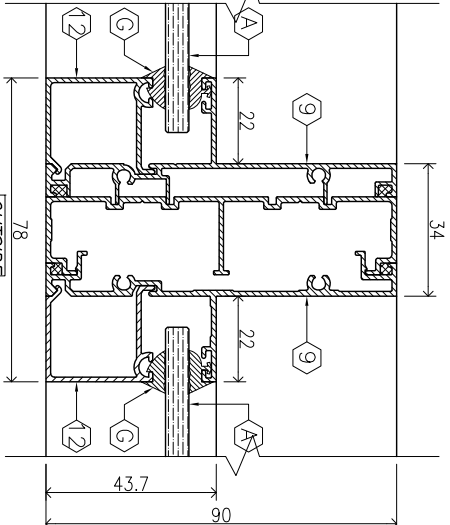
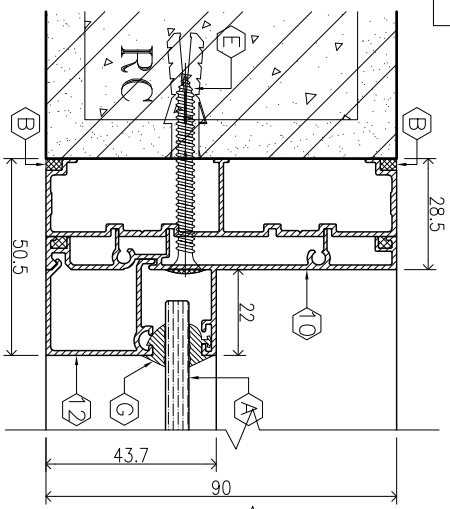
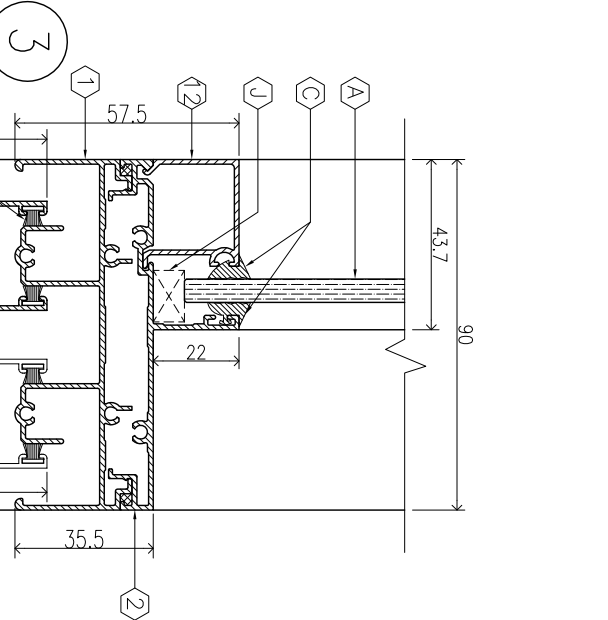
DATE :      DESIGN & DWN : **MANIT SRISANGSUNG ML.4193**      APPROVED BY :      SCALE : **1 : 2 (A3)**



TYPICAL SLIDING WINDOW & FIXED ELEVATION



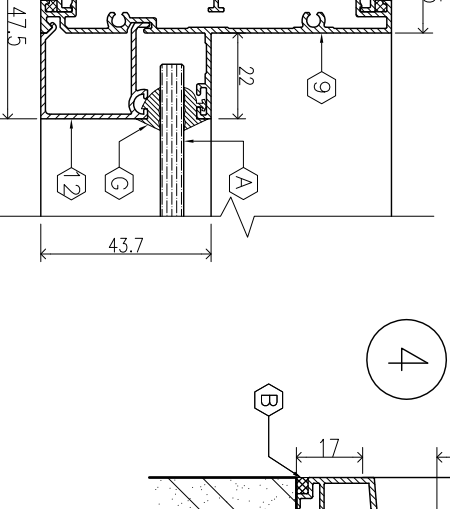
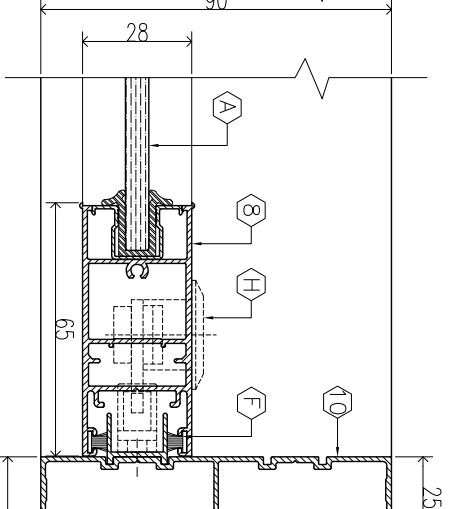
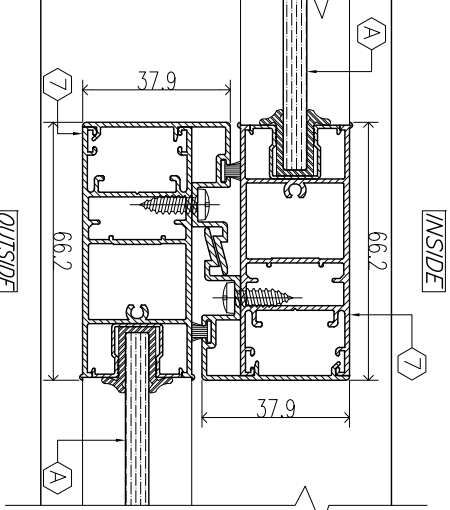
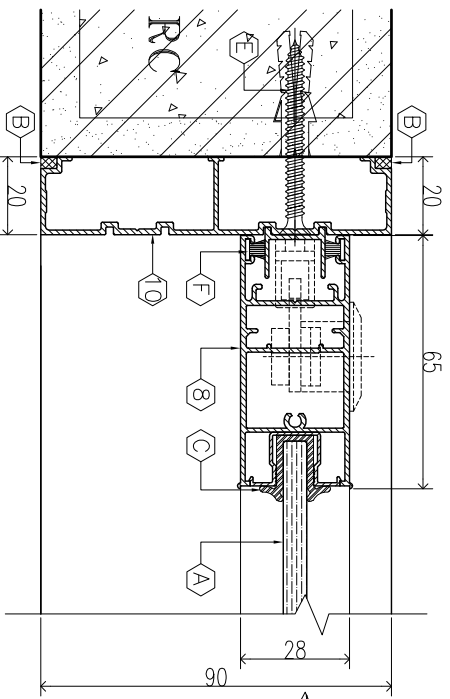
VERTICAL DETAIL



ALUMINIUM EXTRUDED SECTION ALLOY 6063-T5	
1	HEAD SECTION
2	TRANSOM SECTION
3	TOPRAIL SECTION
4	BOTTOMRAIL SECTION
5	SILL SECTION
6	LOCKER STILE SECTION
7	INTER LOCKER STILE SECTION
8	STILE SECTION
9	MULLION SECTION
10	JAMB SECTION
11	SASH SECTION
12	BEAD SECTION

ACCESSORIES DOOR & WINDOW	
A	GLASS PANELS
B	SILICONE SEALANT
C	GLAZING GASKET
D	BUBBLE GASKET
E	SCREW & NYLON PLUG
F	WOOL PILE
G	ROLLER SLIDING
H	HANDLE LOCK
I	CAM LOCK
J	SETTING BLOCK



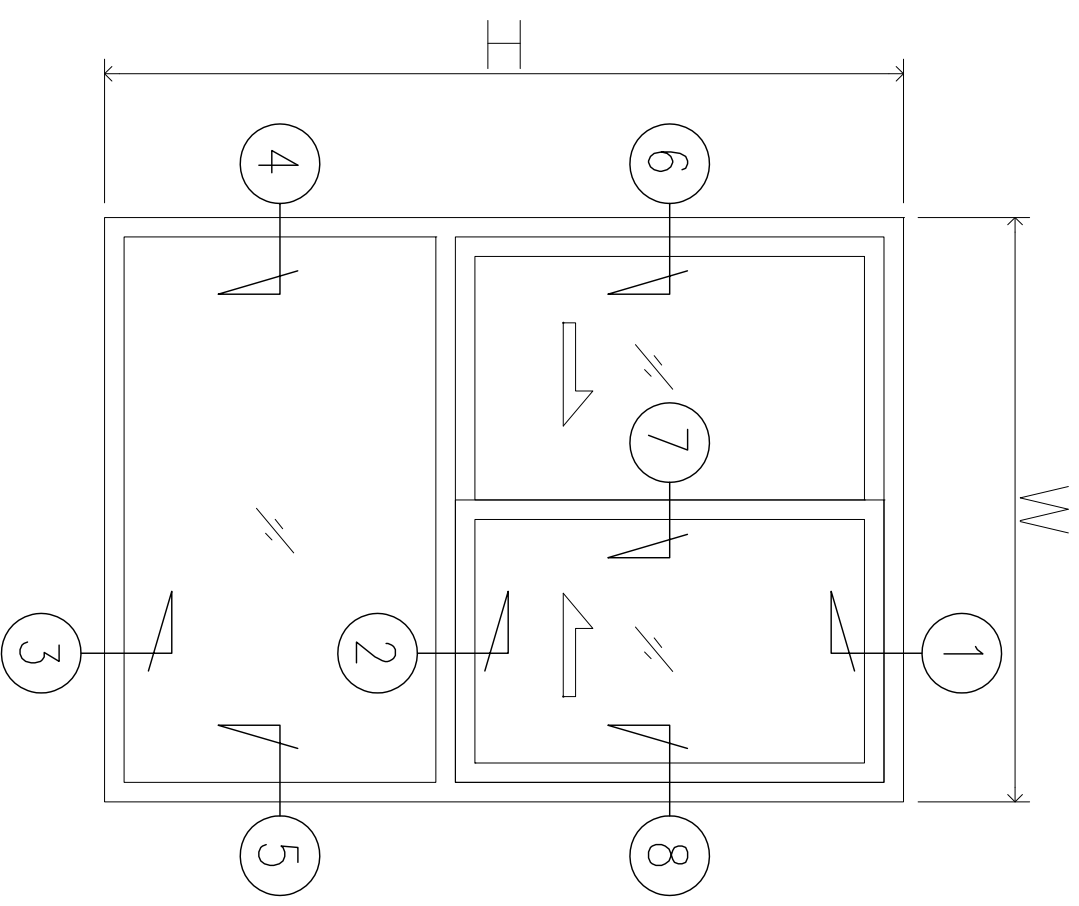
VERTICAL DETAIL

HORIZONTAL DETAIL

PROJECT : <b>STANDARD PROJECT</b>	OWNER :	ALUMINIUM CONTRACTOR : 	DRAWING TITLE <b>DOOR &amp; WINDOW TYPICAL STANDARD DETAIL</b>
LOCATION :	LOCATION :	ALUMINIUM (THAILAND) CO., LTD. 27/28 Moo 11, Bangna-Boonrat Road, Bangna Suburb, Bangkok 10700 Tel. : 09-765-8363, 097-765-8364	REVISION

NO.	DATE	DESCRIPTION	APPROVED

DATE :	DESIGN & DWN : <b>MANIT SRSANGSUNG</b> ML-4193	APPROVED BY :	
SCALE : <b>1 : 2 (A3)</b>	CHKD. BY :	DRAWING NO. : <b>SW-05F</b>	

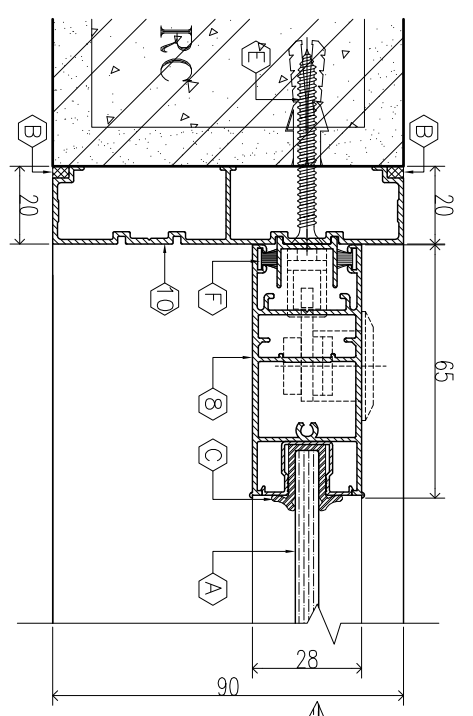


TYPICAL SLIDING WINDOW & FIXED ELEVATION

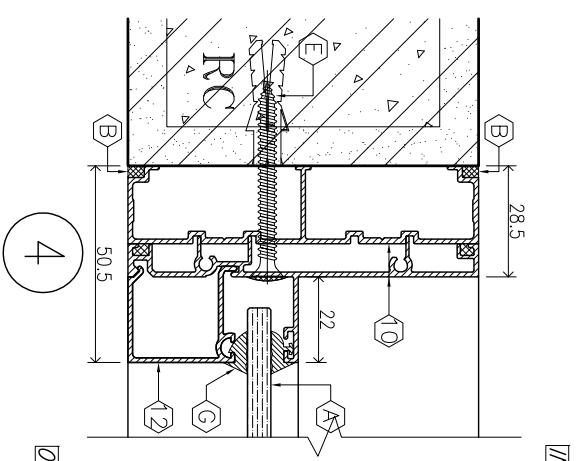
SYMBOL	ALUMINIUM EXTRUDED SECTION
①	HEAD SECTION
②	TRANSOM SECTION
③	TOPRAIL SECTION
④	BOTTOMRAIL SECTION
⑤	SILL SECTION
⑥	LOCKER STILE SECTION
⑦	INTER LOCKER STILE SECTION
⑧	STILE SECTION
⑨	MULLION SECTION
⑩	JAMB SECTION
⑪	SASH SECTION
⑫	BEAD SECTION

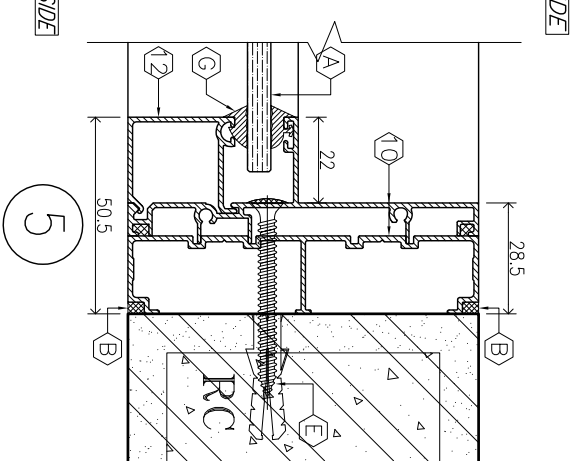
SYMBOL	ACCESSORIES DOOR & WINDOW
Ⓐ	GLASS PANELS
Ⓑ	SILICONE SEALANT
Ⓒ	GLAZING GASKET
Ⓓ	BUBBLE GASKET
Ⓔ	SCREW & NYLON PLUG
Ⓕ	WOOL PILE
Ⓖ	ROLLER SLIDING
Ⓗ	HANDLE LOCK
Ⓘ	CAM LOCK
Ⓣ	SETTING BLOCK



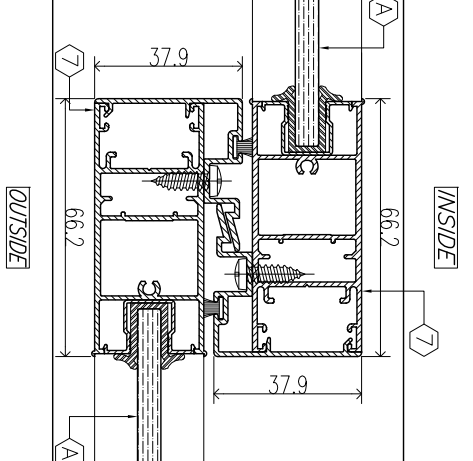
6



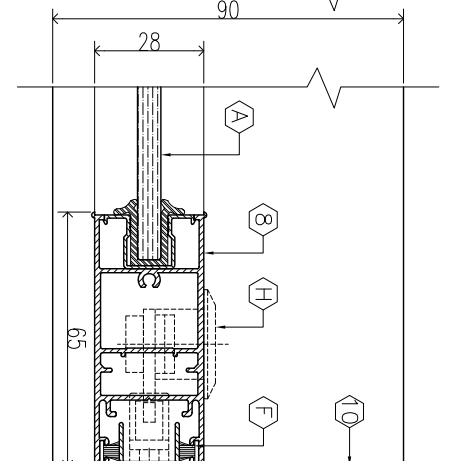
4



5

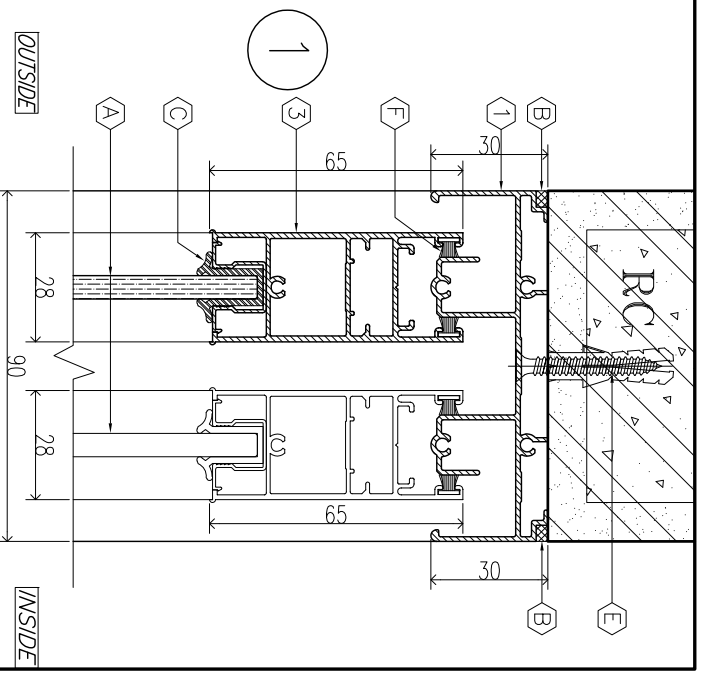


7

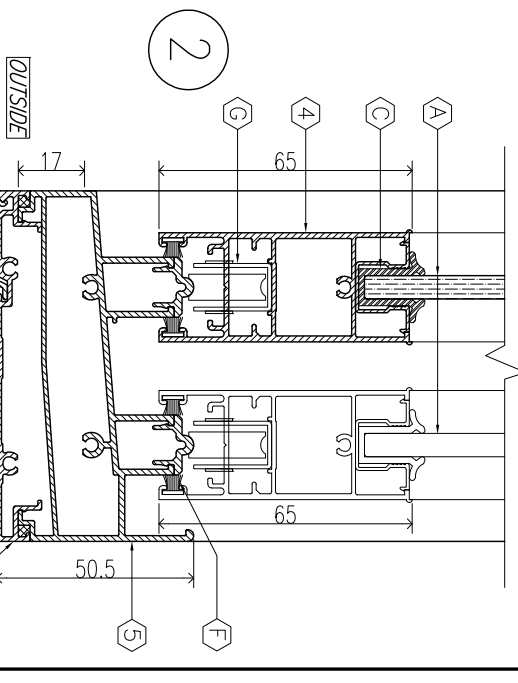


8

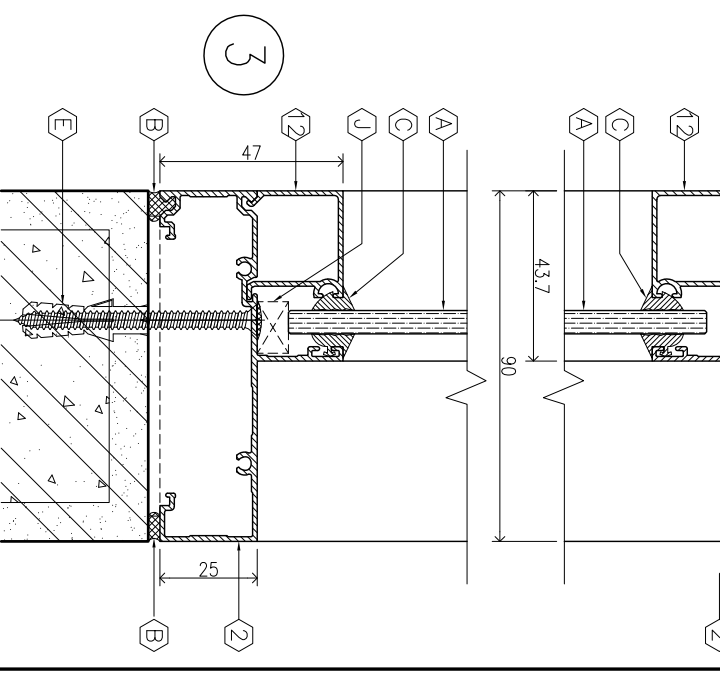
HORIZONTAL DETAIL



1



2



3

VERTICAL DETAIL

PROJECT : STANDARD PROJECT  
 LOCATION :  
 OWNER :  
 LOCATION :  
 ALUMINIUM CONTRACTOR :  
**ORM**  
 ALUMINIUM (THAILAND) CO.,LTD.  
 27/28 Moo 11, Bangna-Boonrat Road, Bangna District, Bangkok 10700, Thailand  
 Tel. : 096-755-8863, 093-755-8864

DRAWING TITLE : DOOR & WINDOW TYPICAL STANDARD DETAIL

NO.	DATE	REVISION DESCRIPTION	APPROVED

DATE :  
 DESIGN & DWN : MANIT SRISANGSUNG ML.4193  
 CHKD. BY :  
 SCALE : 1 : 2 (A3)

APPROVED BY :  
 DRAWING NO. : SW-06F