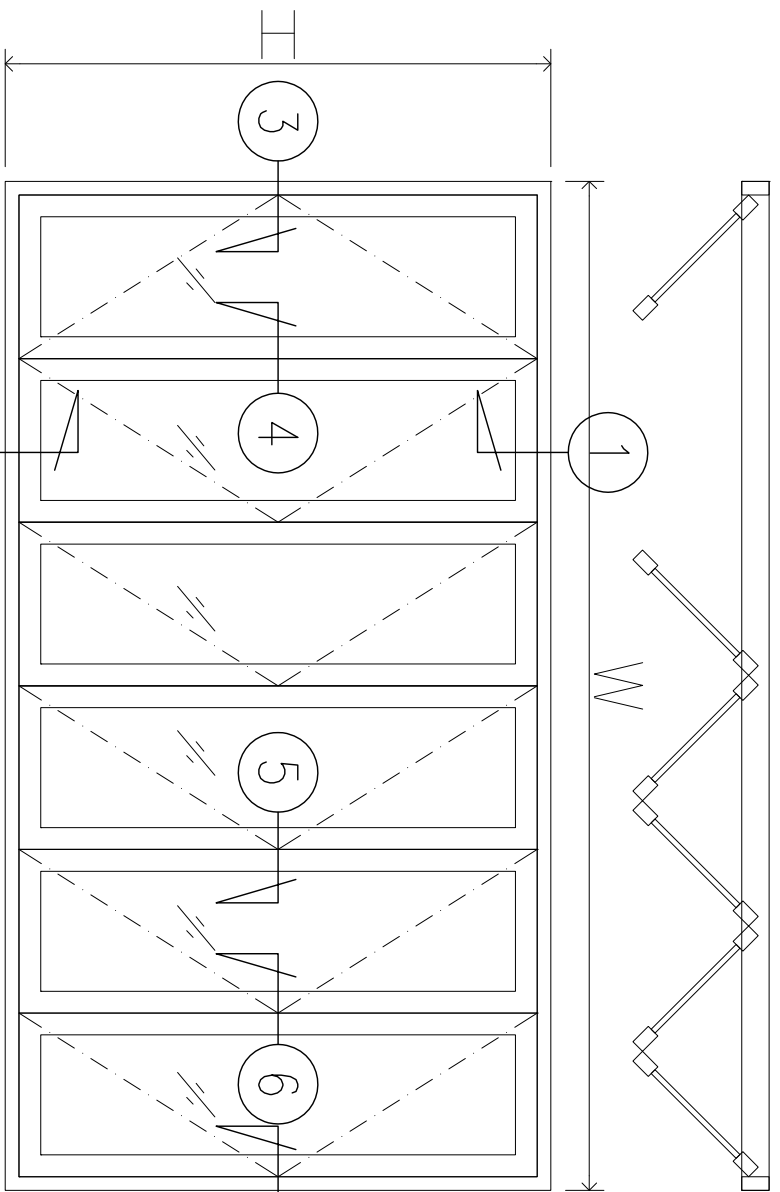


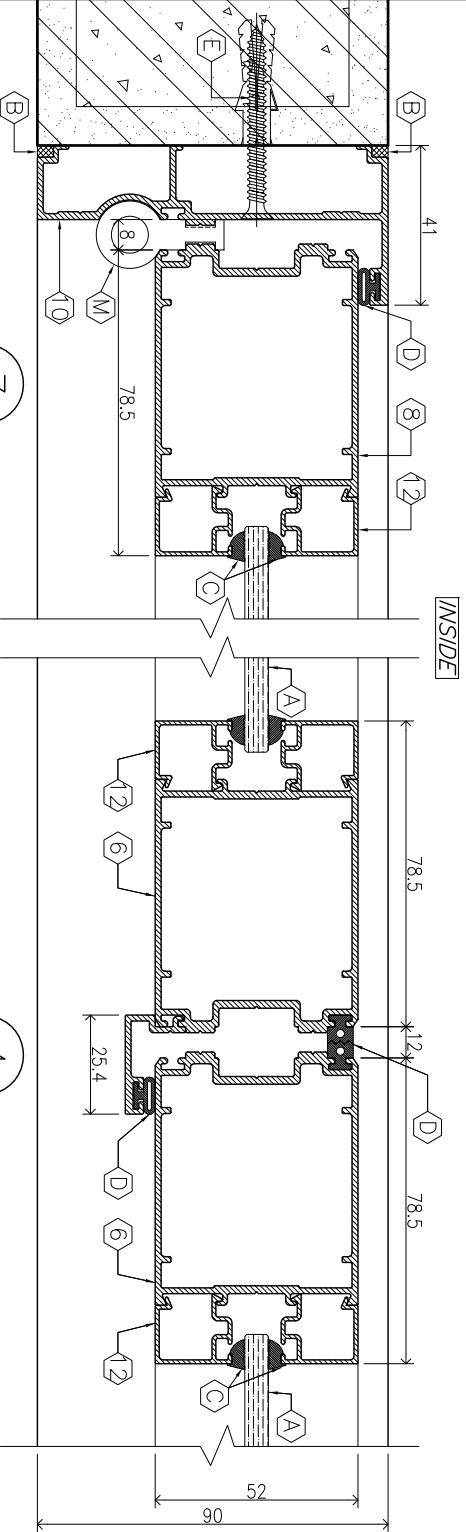
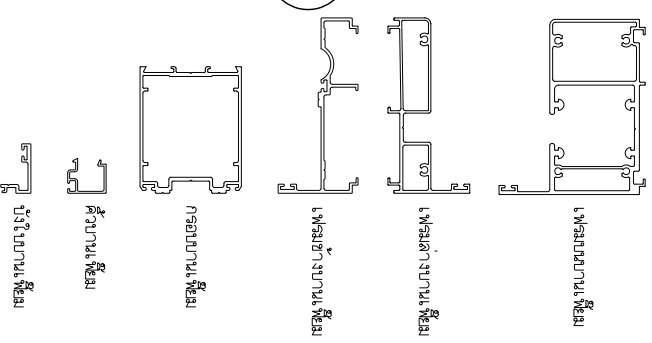
12-11196 พิธีกรรม
คดี

SYMBOL	DESCRIPTION
ALUMINIUM EXTRUDED SECTION	ALLOY 6063-T5
①	HEAD SECTION
②	TRANSOM SECTION
③	TOPRAIL SECTION
④	BOTTOMRAIL SECTION
⑤	SILL SECTION
⑥	LOCKER STILE SECTION
⑦	INNER LOCKER STILE SECTION
⑧	STILE SECTION
⑨	MULLION SECTION
⑩	JAMB SECTION
⑪	SASH SECTION
⑫	BEAD SECTION

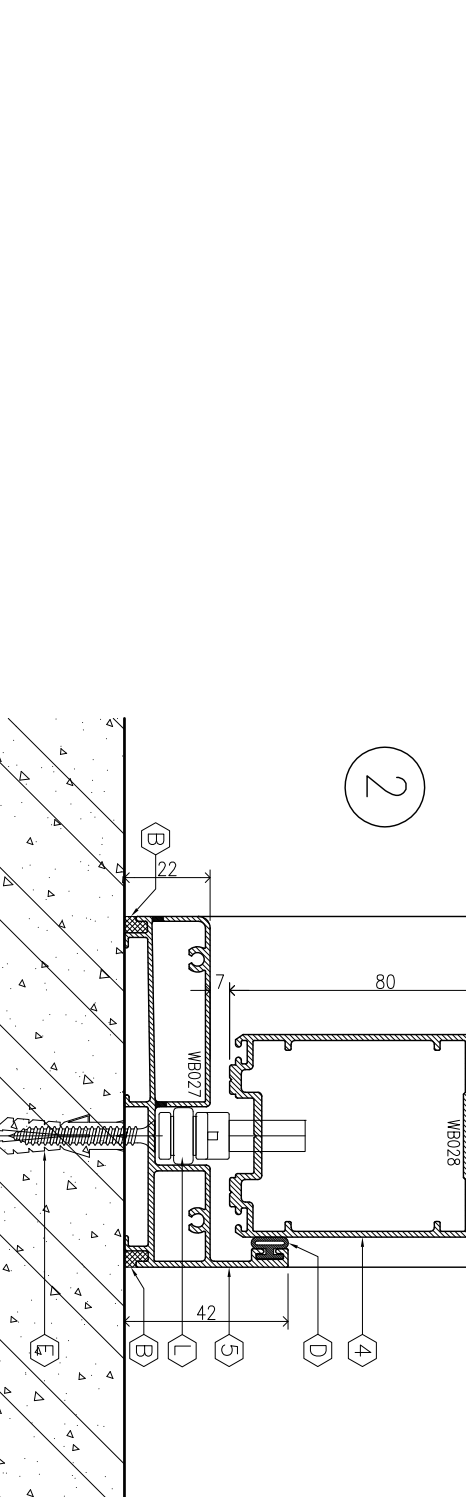
SYMBOL	DESCRIPTION
A	GLASS PANELS
B	SILICONE SEALANT
C	GLAZING GASKET
D	BUBBLE GASKET
E	SCREW & NYLON PLUG
F	WOOL PILE
G	ROLLER SLIDING
H	HANDLE LOCK
I	CAM LOCK
J	SETTING BLOCK
K	EXPANSION BOLTS
L	ROLLER
M	HINGE



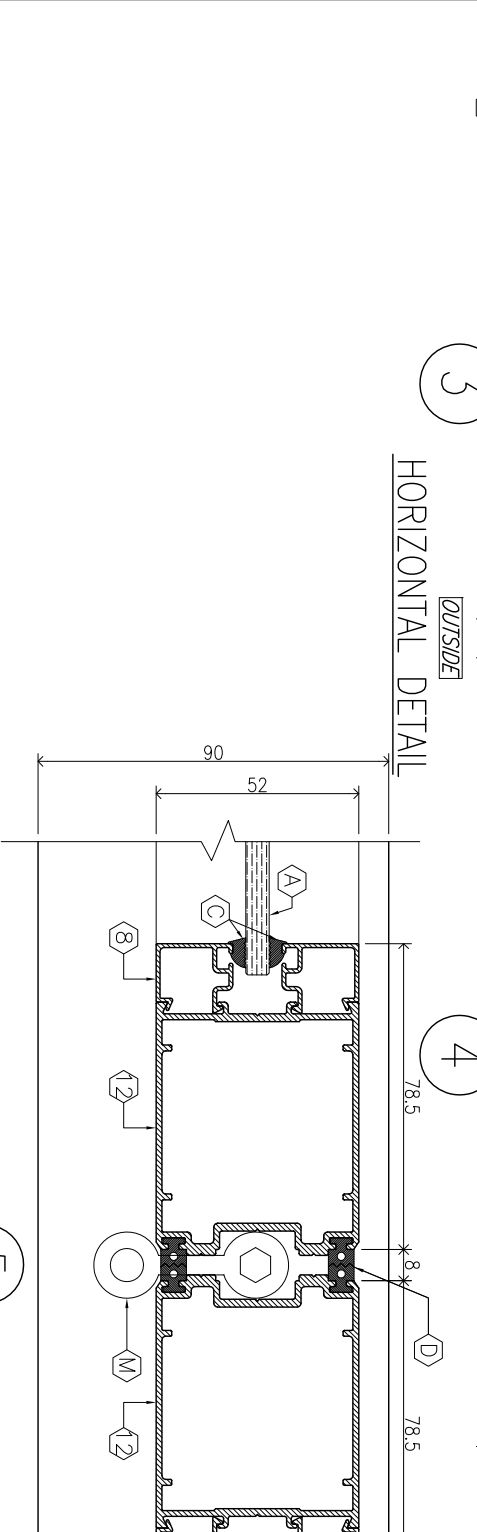
TYPICAL FOLDING DOOR ELEVATION



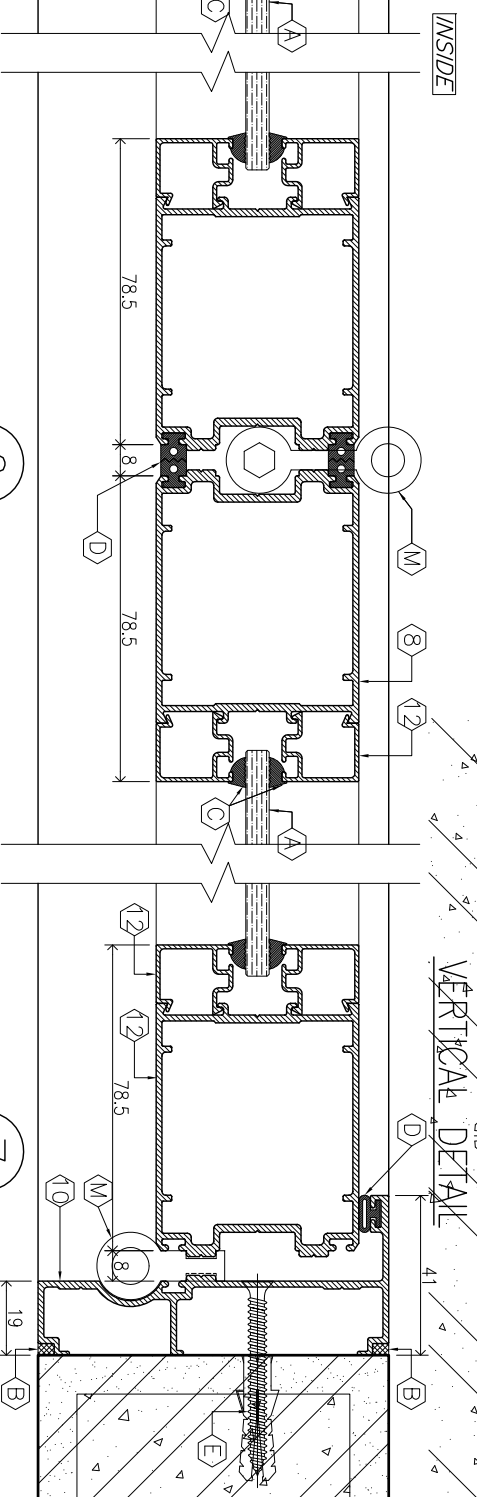
HORIZONTAL DETAIL



HORIZONTAL DETAIL



VERTICAL DETAIL



VERTICAL DETAIL

PROJECT : STANDARD PROJECT
 LOCATION :

OWNER :
 LOCATION :

ALUMINIUM CONTRACTOR :
ORM
 ALUMINIUM CO., LTD.
 27/28 Moo 11, Rama 9 Road,
 Bang Sue, Bangkok 10800
 Tel. : 096-765-8863, 097-765-8864

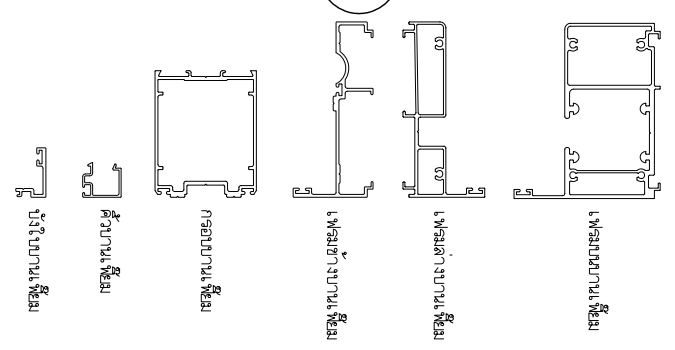
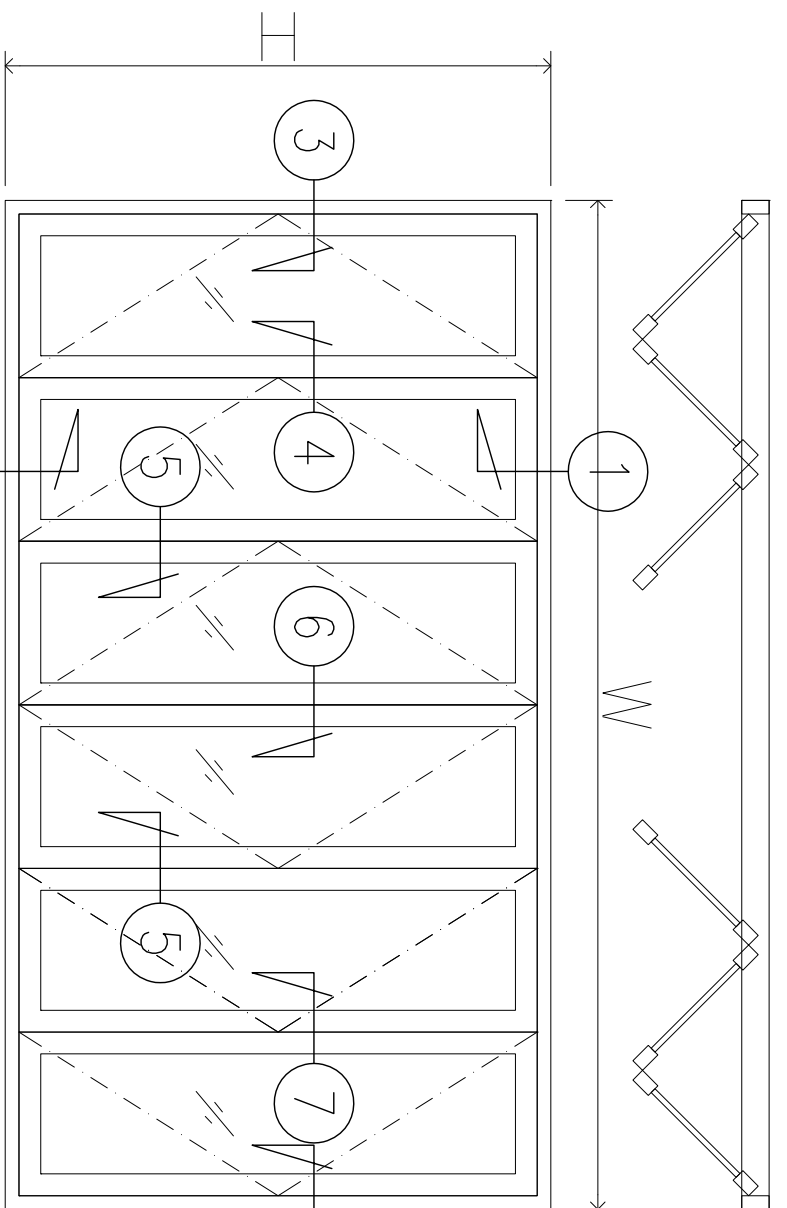
DRAWING TITLE
 DOOR & WINDOW
 TYPICAL STANDARD DETAIL

NO.	DATE	DESCRIPTION	APPROVED

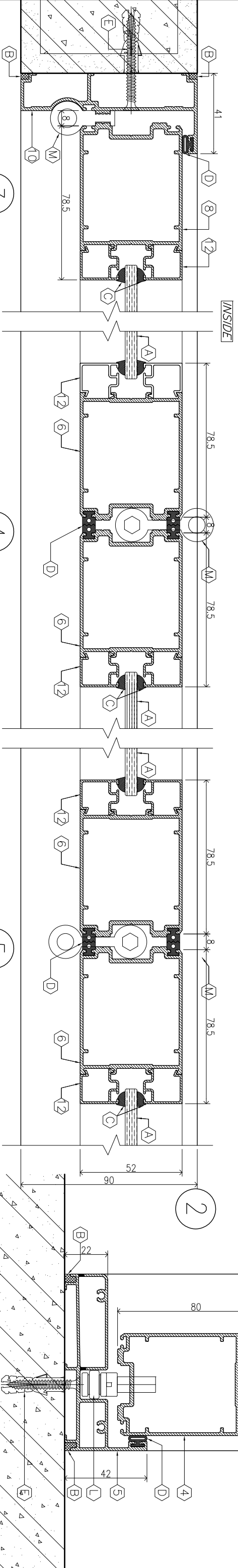
DATE :
 DESIGN & DIM : MANIT SRISANGSUNG ML.4193
 CHKD. BY :
 SCALE : 1 : 2 (A3)
 APPROVED BY :
 DRAWING NO. : FD-01

ALUMINIUM EXTRUDED SECTION ALLOY 6063-T5	
1	HEAD SECTION
2	TRANSOM SECTION
3	TOPRAIL SECTION
4	BOTTOMRAIL SECTION
5	SILL SECTION
6	LOCKER STILE SECTION
7	INNER LOCKER STILE SECTION
8	STILE SECTION
9	MULLION SECTION
10	JAMB SECTION
11	SASH SECTION
12	BEAD SECTION

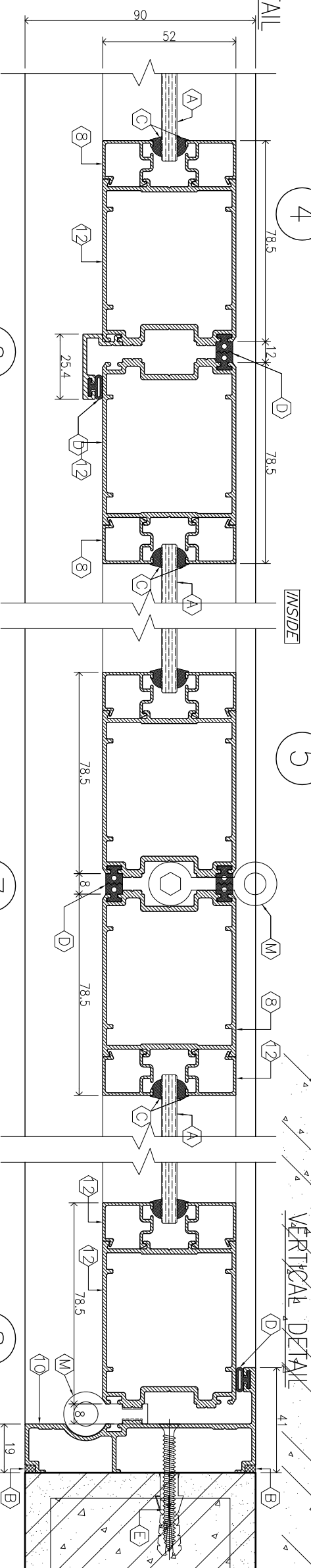
ACCESSORIES DOOR & WINDOW	
A	GLASS PANELS
B	SILICONE SEALANT
C	GLAZING GASKET
D	BUBBLE GASKET
E	SCREW & NYLON PLUG
F	WOOL PILE
G	ROLLER SLIDING
H	HANDLE LOCK
I	CAM LOCK
J	SETTING BLOCK
K	EXPANSION BOLTS
L	ROLLER
M	HINGE



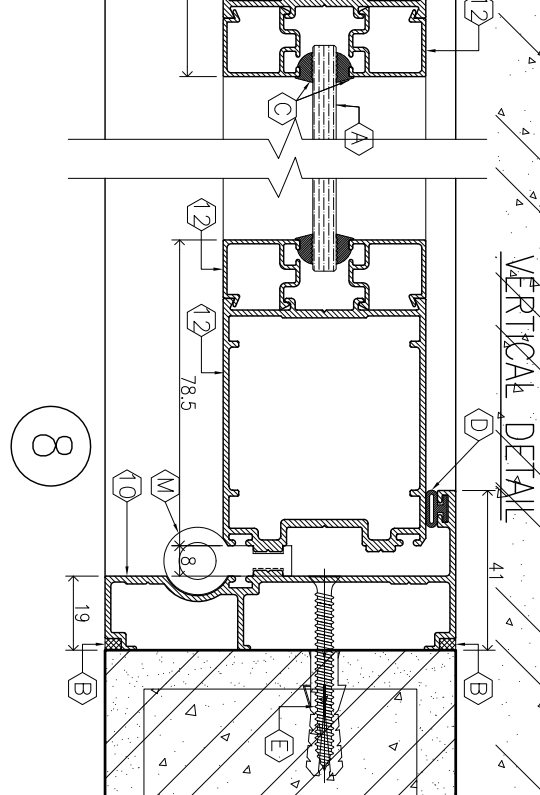
TYPICAL FOLDING DOOR ELEVATION



HORIZONTAL DETAIL



HORIZONTAL DETAIL



VERTICAL DETAIL

PROJECT : STANDARD PROJECT
 OWNER :
 LOCATION :
 ALUMINIUM CONTRACTOR :
ORM
 ALUMINIUM (THAILAND) CO., LTD.
 27/28 Moo 11, Rama 9 Road, Bang Sue, Bangkok 10800, Thailand
 Tel. : 096-765-8861, 097-765-8864

DRAWING TITLE : DOOR & WINDOW TYPICAL STANDARD DETAIL

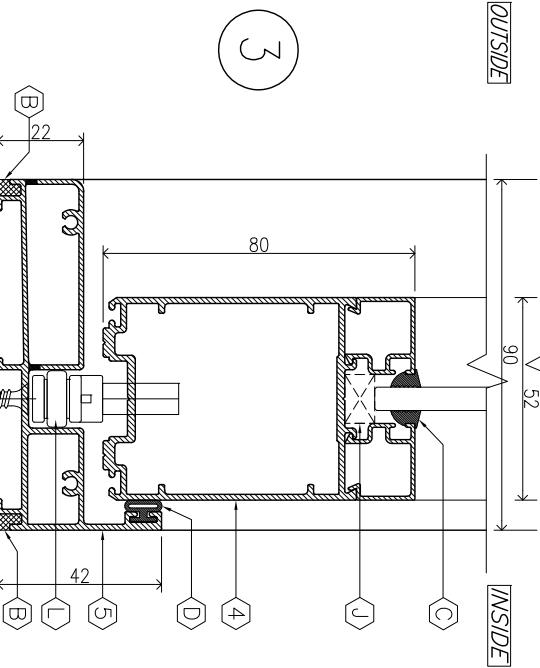
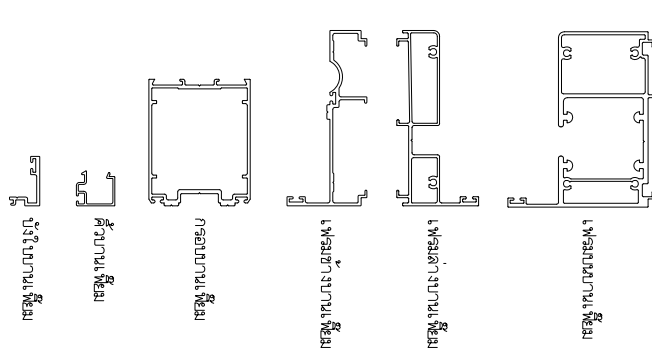
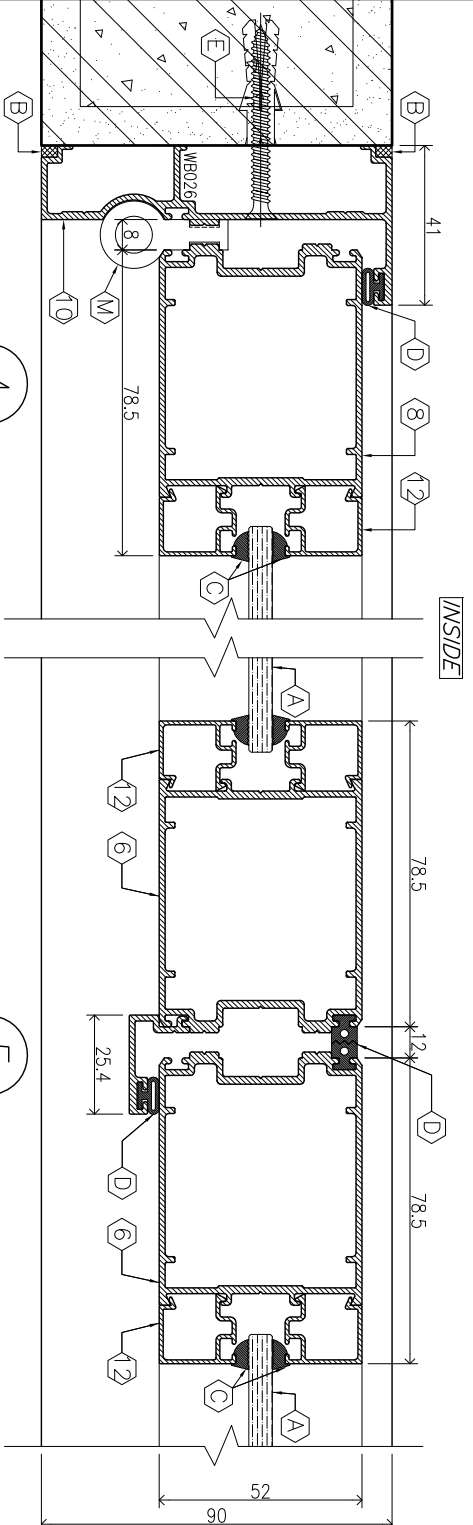
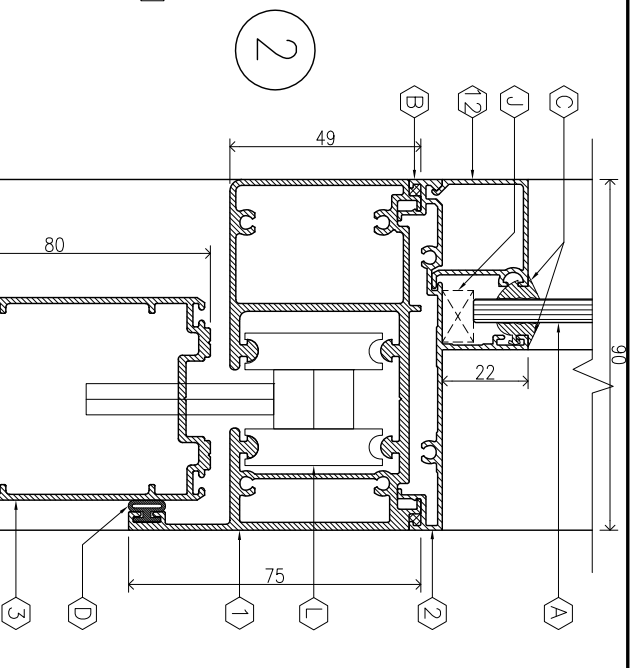
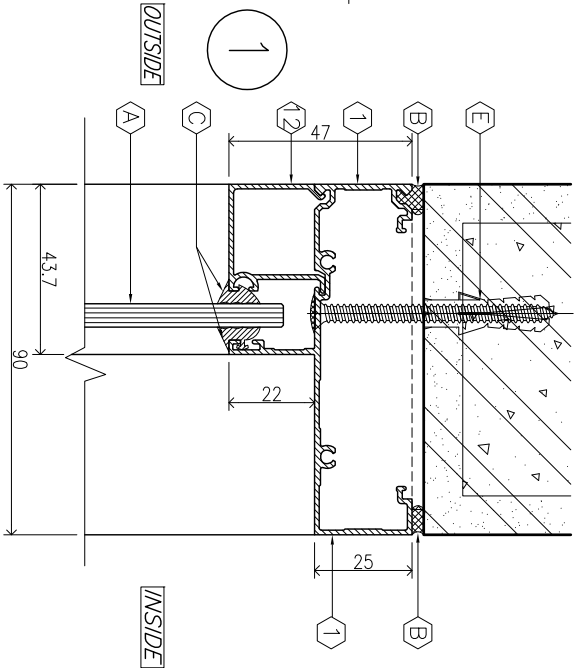
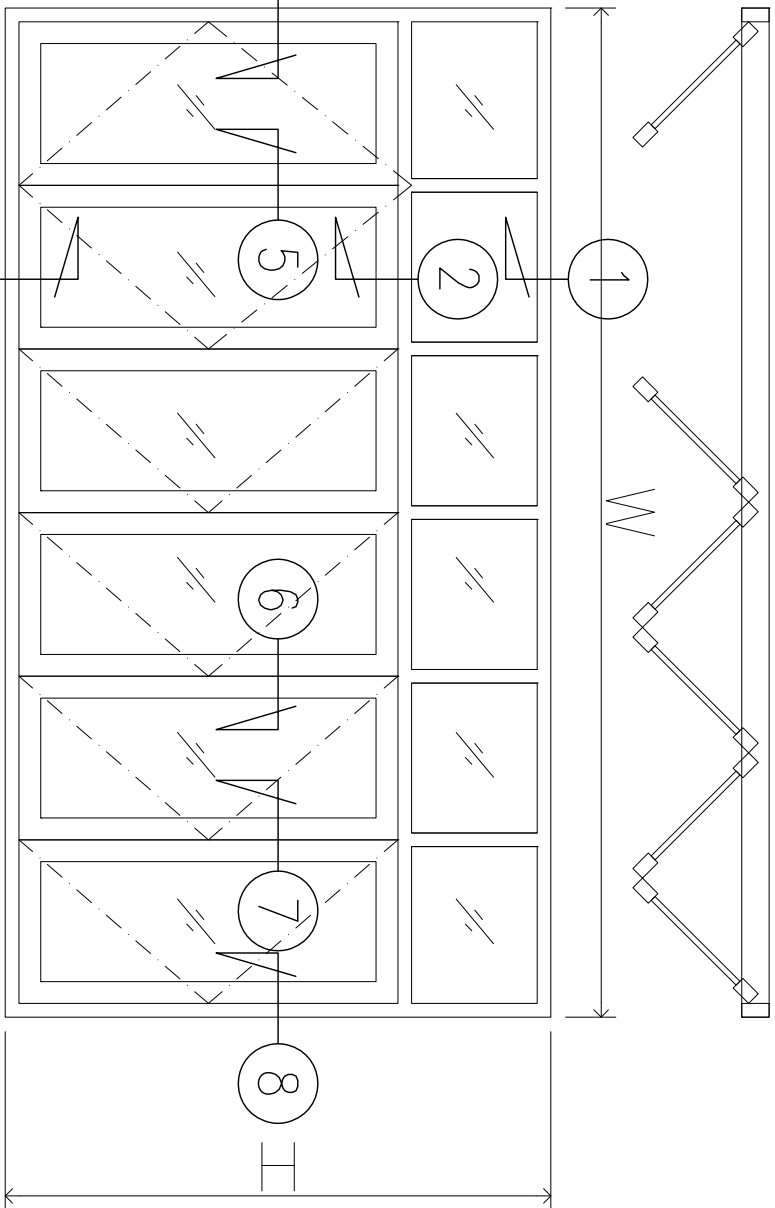
NO.	DATE	REVISION DESCRIPTION	APPROVED

DATE :
 DESIGN & DWN : MANIT SRSANSUNG ML.4193
 CHKD. BY :
 SCALE : 1 : 2 (A3)

APPROVED BY :
 DRAWING NO. : FD-02

ALUMINIUM EXTRUDED SECTION ALLOY 6063-T5	
1	HEAD SECTION
2	TRANSOM SECTION
3	TOPRAIL SECTION
4	BOTTOMRAIL SECTION
5	SILL SECTION
6	LOCKER STILE SECTION
7	INTER LOCKER STILE SECTION
8	STILE SECTION
9	MULLION SECTION
10	JAMB SECTION
11	SASH SECTION
12	BEAD SECTION

ACCESSORIES DOOR & WINDOW	
A	GLASS PANELS
B	SILICONE SEALANT
C	GLAZING GASKET
D	BUBBLE GASKET
E	SCREW & NYLON PLUG
F	WOOL PILE
G	ROLLER SLIDING
H	HANDLE LOCK
I	CAM LOCK
J	SETTING BLOCK
K	EXPANSION BOLTS
L	ROLLER
M	HINGE

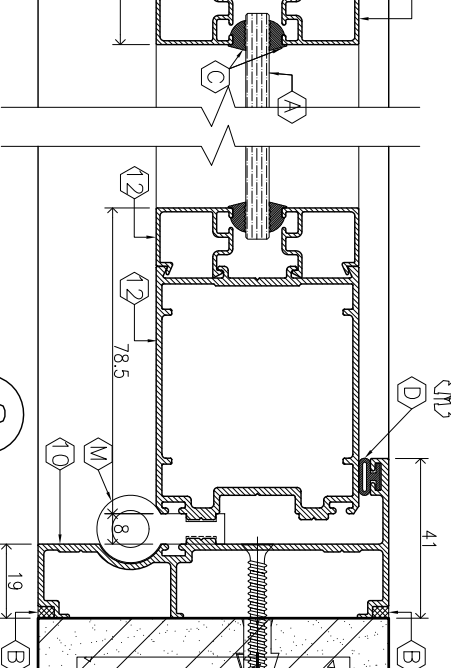
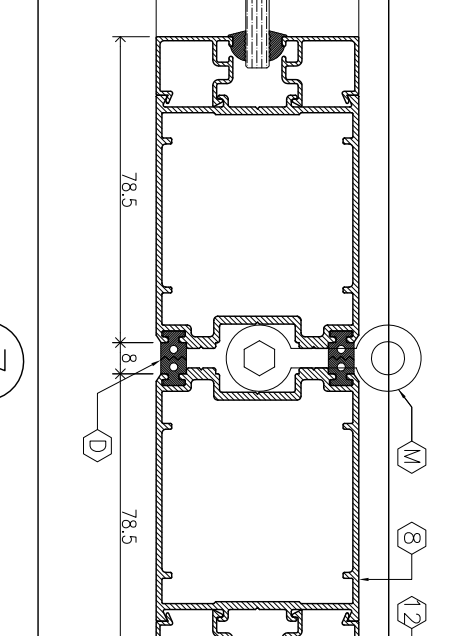
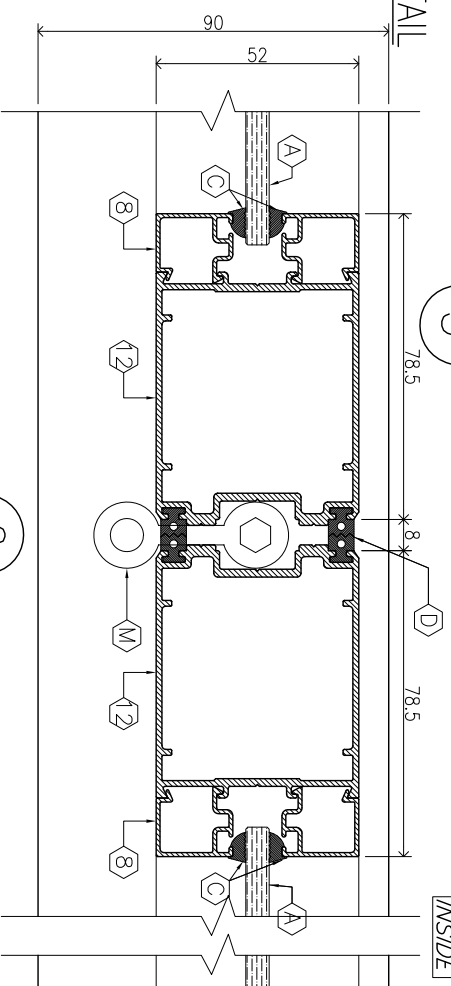


4 HORIZONTAL DETAIL

TYPICAL FIXED & FOLDING DOOR ELEVATION

5 HORIZONTAL DETAIL

VERTICAL DETAIL



6 HORIZONTAL DETAIL

7 HORIZONTAL DETAIL

8 HORIZONTAL DETAIL

PROJECT : STANDARD PROJECT
LOCATION :

OWNER :

ALUMINIUM CONTRACTOR :
ORM
ALUMINIUM CO. (THAILAND) CO., LTD.
27/28 Moo 11, Rama 9 Road
Bangkok 10310, Thailand
Tel. : 08-765-883, 03-765-884

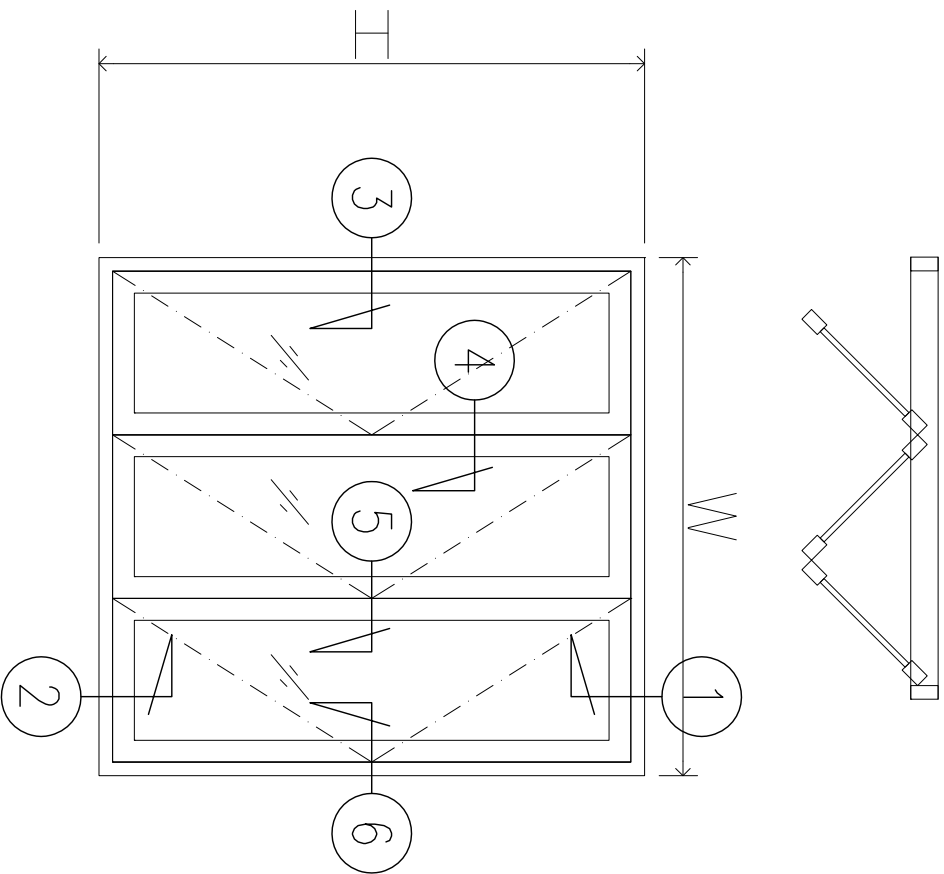
DRAWING TITLE :
DOOR & WINDOW
TYPICAL STANDARD DETAIL

NO.	DATE	REVISION DESCRIPTION	APPROVED

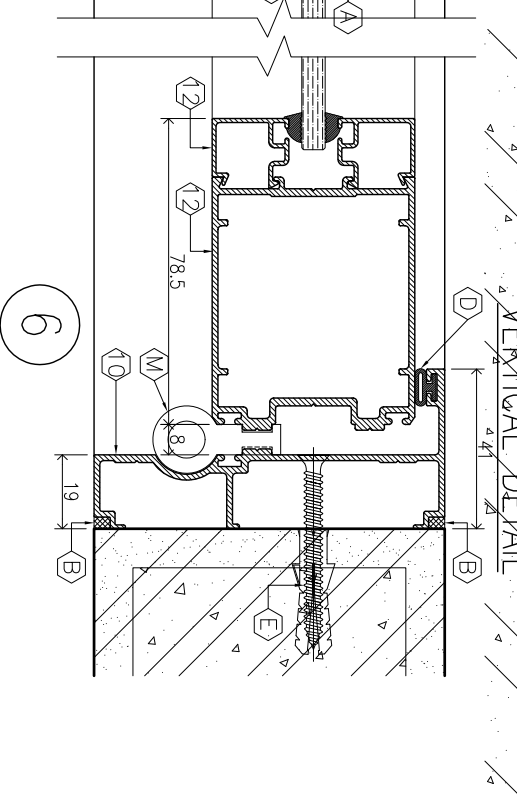
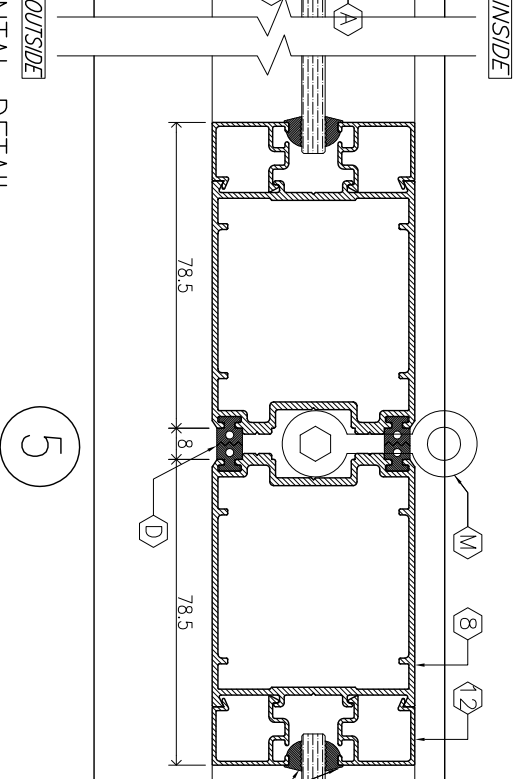
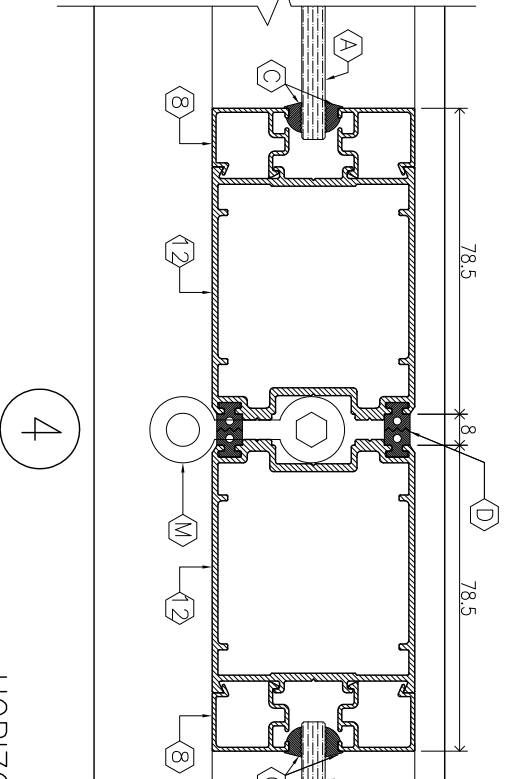
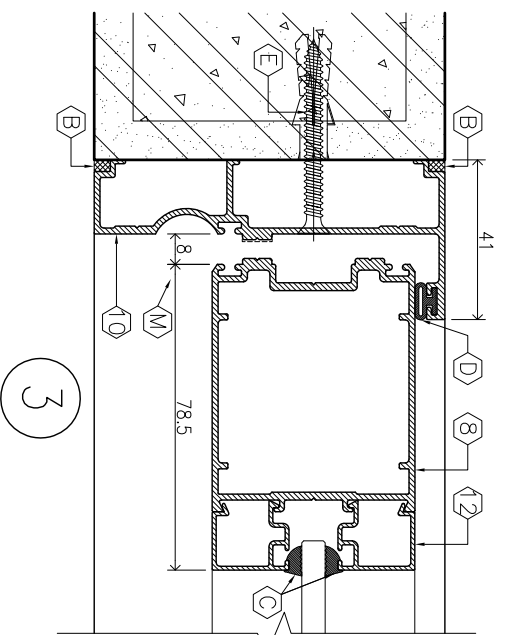
DATE :
DESIGN & DWN : MANIT SRSANGSUNG ML.4193
CHKD. BY :
SCALE : 1 : 2 (A3)
APPROVED BY :
DRAWING NO. : FD-03

SYMBOL	ALUMINIUM EXTRUDED SECTION ALLOY 6063-T5
1	HEAD SECTION
2	TRANSOM SECTION
3	TOPRAIL SECTION
4	BOTTOMRAIL SECTION
5	SILL SECTION
6	LOCKER STILE SECTION
7	INNER LOCKER STILE SECTION
8	STILE SECTION
9	MULLION SECTION
10	JAMB SECTION
11	SASH SECTION
12	BEAD SECTION

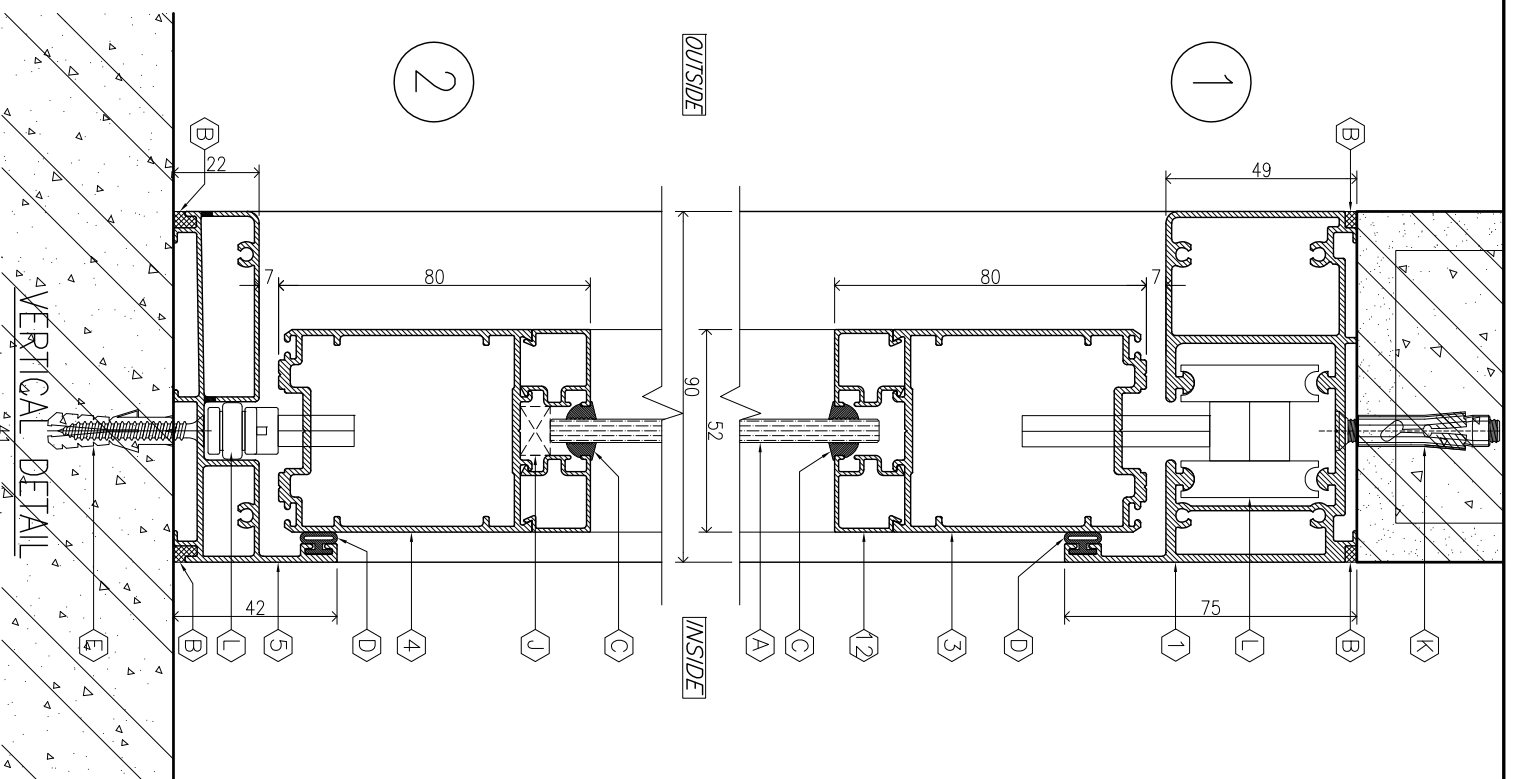
SYMBOL	ACCESSORIES DOOR & WINDOW
A	GLASS PANELS
B	SILICONE SEALANT
C	GLAZING GASKET
D	BUBBLE GASKET
E	SCREW & NYLON PLUG
F	WOOL PILE
G	ROLLER SLIDING
H	HANDLE LOCK
I	CAM LOCK
J	SETTING BLOCK
K	EXPANSION BOLTS
L	ROLLER
M	HINGE



TYPICAL FOLDING DOOR ELEVATION



HORIZONTAL DETAIL



VERTICAL DETAIL

PROJECT : STANDARD PROJECT LOCATION :	OWNER : ALUMINIUM CONTRACTOR : <div style="text-align: center;"> ORM <small>ALUMINIUM ORN (THAILAND) CO., LTD.</small> <small>27/25 Moo 11, Bangma Roadtype</small> <small>Amphur, Bangkok 10150</small> <small>Tel. : 09-765-8863, 097-765-8864</small> </div>												
DRAWING TITLE DOOR & WINDOW TYPICAL STANDARD DETAIL													
<table border="1" style="width: 100%; border-collapse: collapse;"> <thead> <tr> <th style="width: 5%;">NO.</th> <th style="width: 45%;">DATE</th> <th style="width: 40%;">REVISION</th> </tr> </thead> <tbody> <tr> <td> </td> <td> </td> <td> </td> </tr> <tr> <td> </td> <td> </td> <td> </td> </tr> <tr> <td> </td> <td> </td> <td> </td> </tr> </tbody> </table>		NO.	DATE	REVISION									
NO.	DATE	REVISION											
DATE : DESIGN & DWN : MANIT SRISANGSUNG <small>TEL. 4193</small> CHKD. BY : SCALE : 1 : 2 (A3)	APPROVED BY : FD-04												