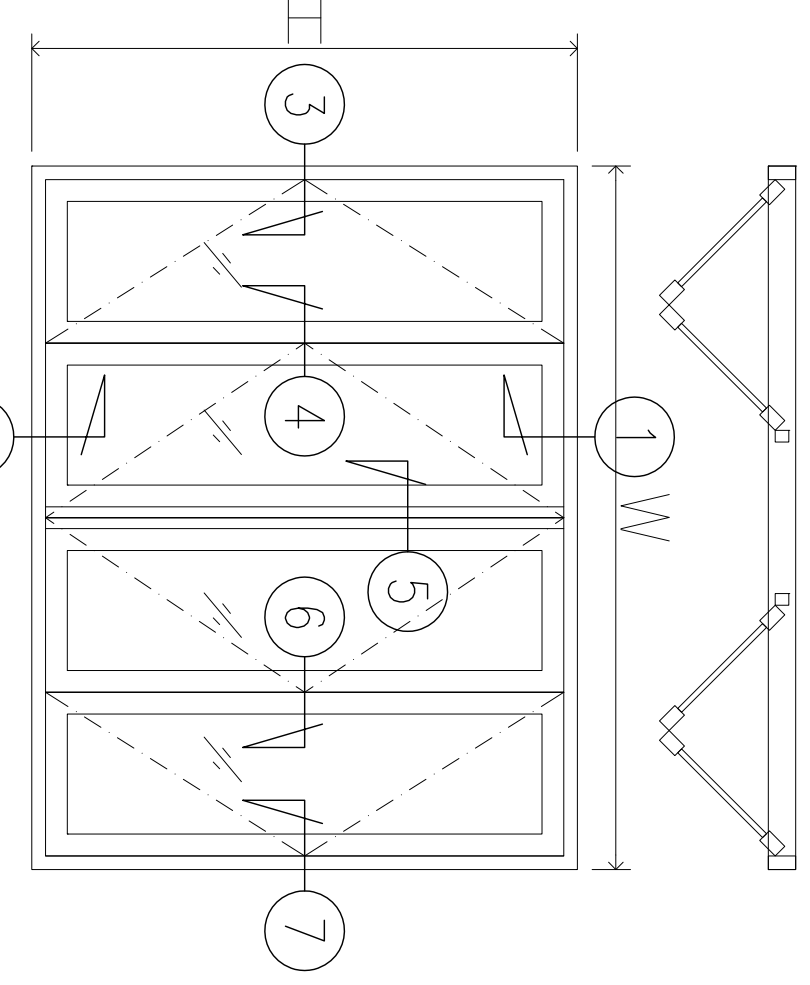


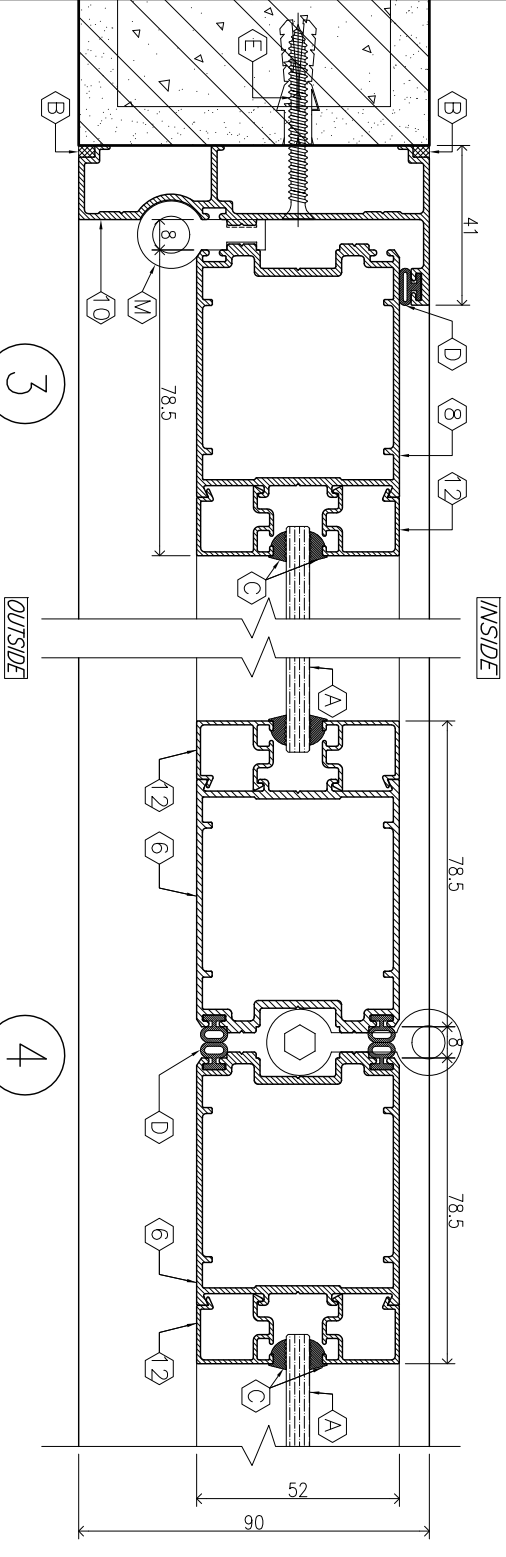
13-புள்ளி வினாக்கள்

ALUMINIUM EXTRUDED SECTION ALLOY 6063-T5	
1	HEAD SECTION
2	TRANSOM SECTION
3	TOPRAIL SECTION
4	BOTTOMRAIL SECTION
5	SILL SECTION
6	LOCKER STILE SECTION
7	INNER LOCKER STILE SECTION
8	MULLION SECTION
9	JAMB SECTION
10	SASH SECTION
12	BEAD SECTION

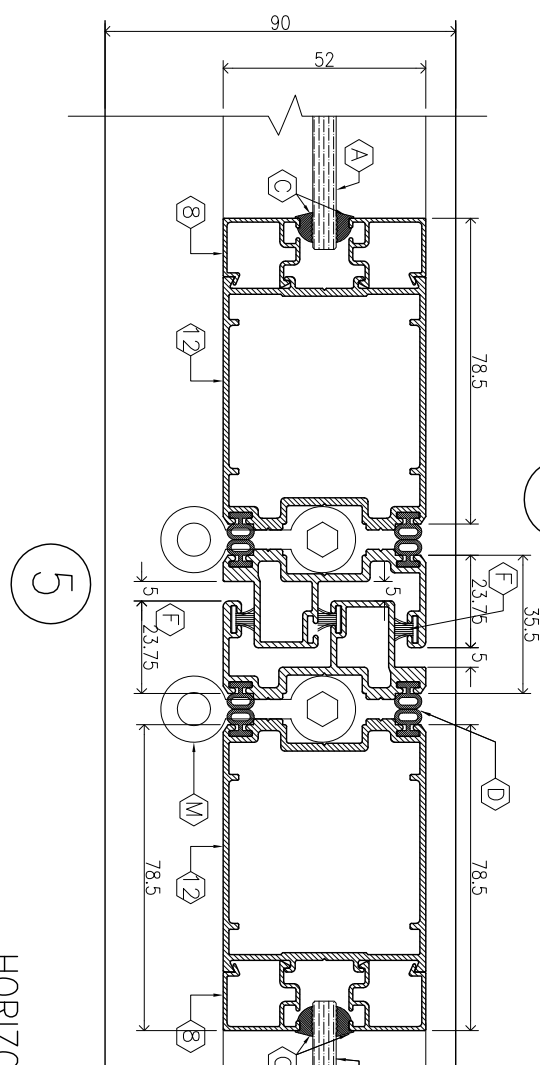
ACCESSORIES DOOR & WINDOW	
A	GLASS PANELS
B	SILICONE SEALANT
C	GLAZING GASKET
D	BUBBLE GASKET
E	SCREW & NYLON PLUG
F	WOOL PILE
G	ROLLER SLIDING
H	HANDLE LOCK
I	CAM LOCK
J	SETTING BLOCK
K	EXPANSION BOLTS
L	ROLLER
M	HINGE



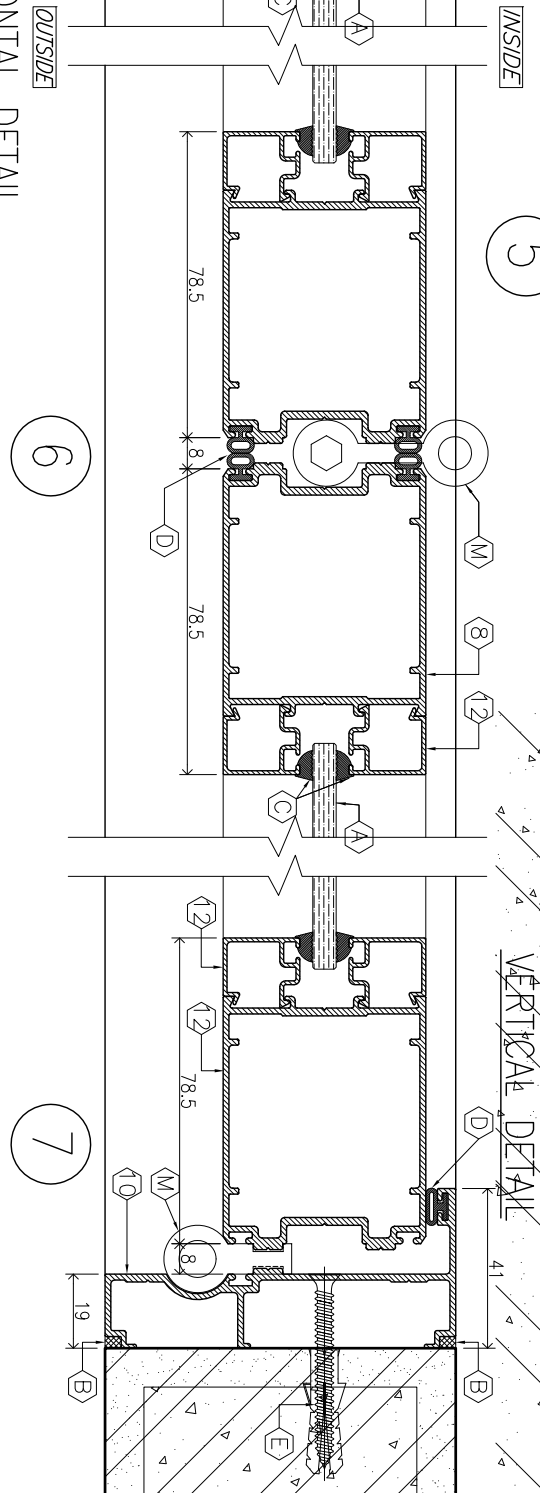
TYPICAL FOLDING DOOR ELEVATION



VERTICAL DETAIL



HORIZONTAL DETAIL



PROJECT :
STANDARD PROJECT

OWNER :
LOCATION :

ALUMINIUM CONTRACTOR :
ORM
ALUMINIUM CO., LTD.
27/28 Moo 11, Bangna-Boonrut Road,
Bangna Suburb, Bangkok 10700, Thailand
Tel. : 096-765-8363, 097-765-8364

DRAWING TITLE
**DOOR & WINDOW
TYPICAL STANDARD DETAIL**

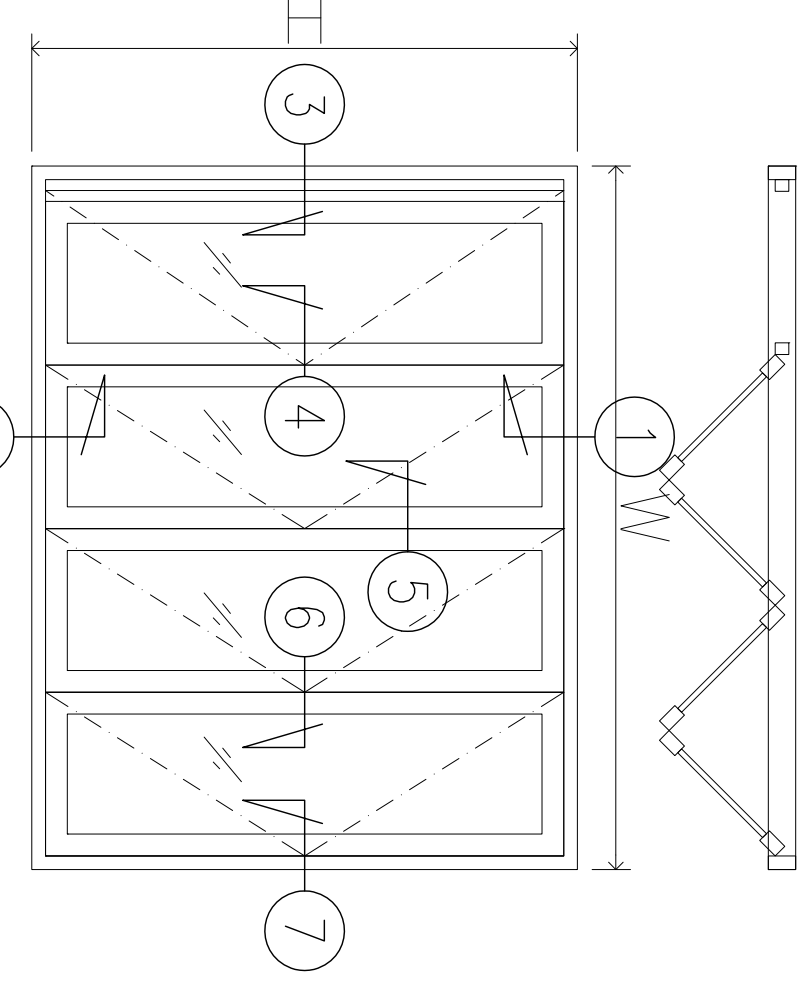
REVISION			
NO.	DATE	DESCRIPTION	APPROVED

DATE :
DESIGN & DWN : MANIT SRSANGSUNG ML.4193
CHKD. BY :
SCALE : 1 : 2 (A3)
DRAWING NO. **FD-01A**

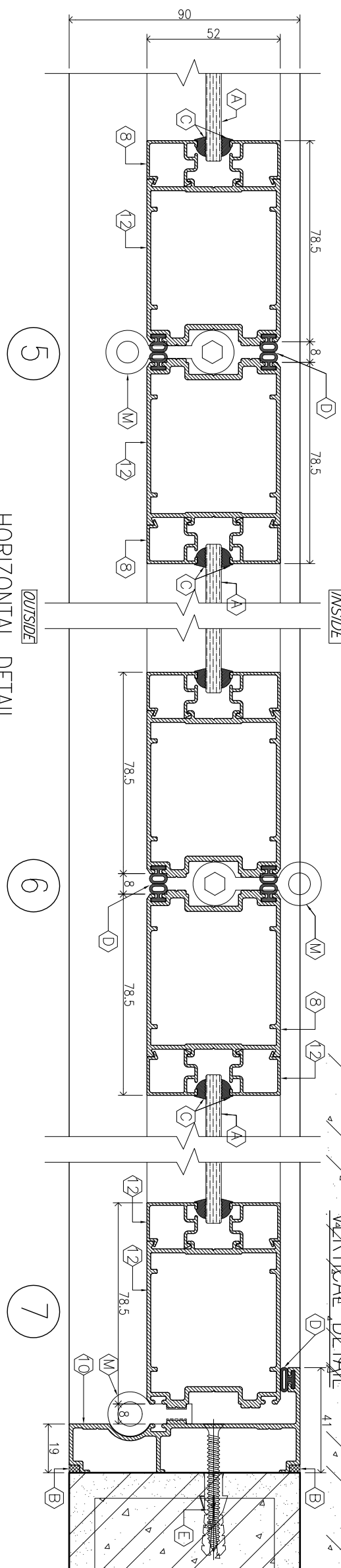
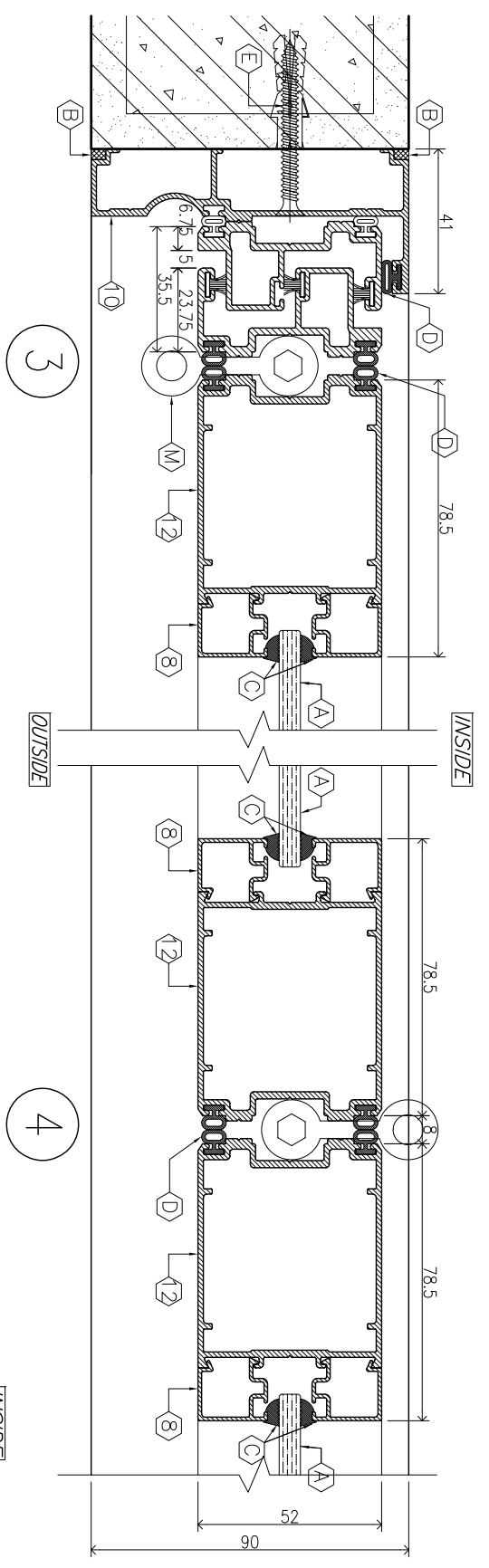
APPROVED BY

ALUMINIUM EXTRUDED SECTION ALLOY 6063-T5	
1	HEAD SECTION
2	TRANSOM SECTION
3	TOPRAIL SECTION
4	BOTTOMRAIL SECTION
5	SILL SECTION
6	LOCKER STILE SECTION
7	INNER LOCKER STILE SECTION
8	MULLION SECTION
9	JAMB SECTION
10	SASH SECTION
11	BEAD SECTION

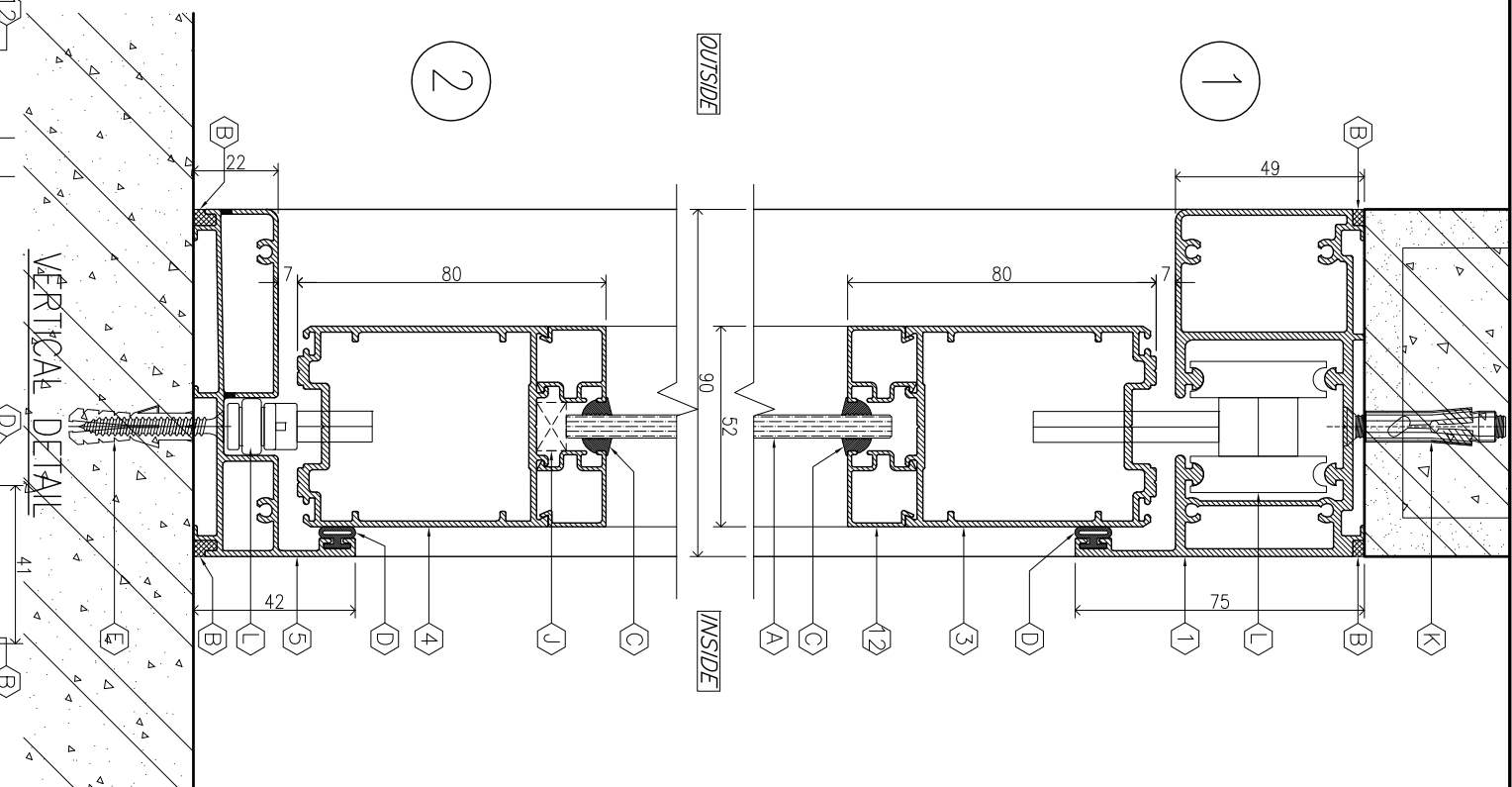
ACCESSORIES DOOR & WINDOW	
A	GLASS PANELS
B	SILICONE SEALANT
C	GLAZING GASKET
D	BUBBLE GASKET
E	SCREW & NYLON PLUG
F	WOOL PILE
G	ROLLER SLIDING
H	HANDLE LOCK
I	CAM LOCK
J	SETTING BLOCK
K	EXPANSION BOLTS
L	ROLLER
M	HINGE



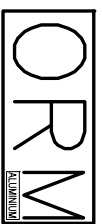
TYPICAL FOLDING DOOR ELEVATION



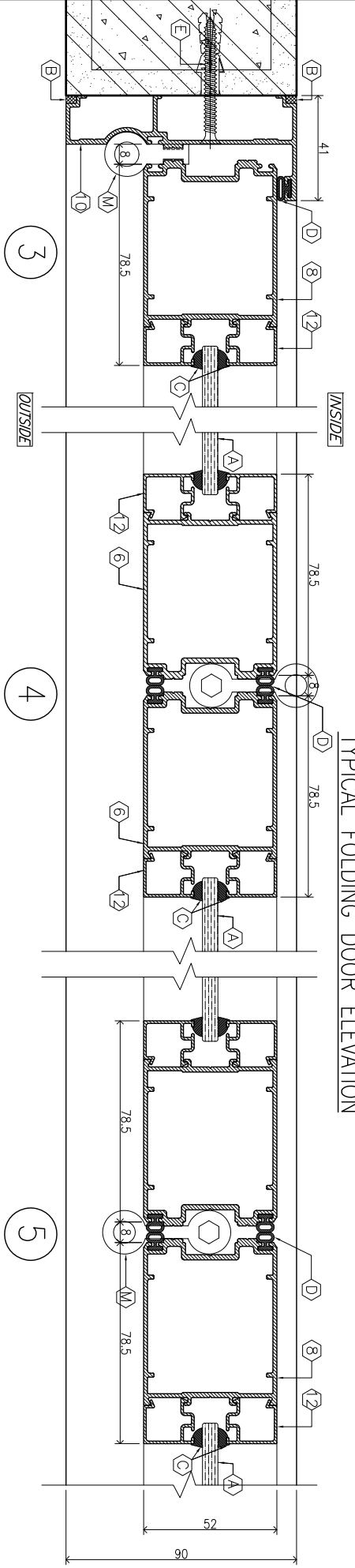
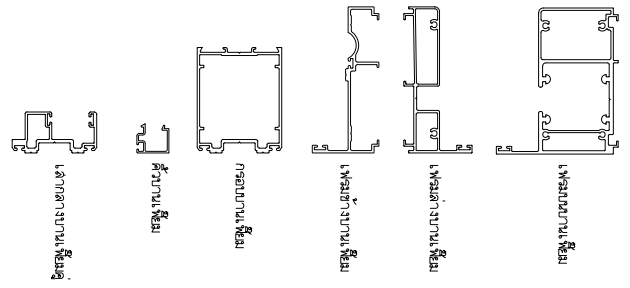
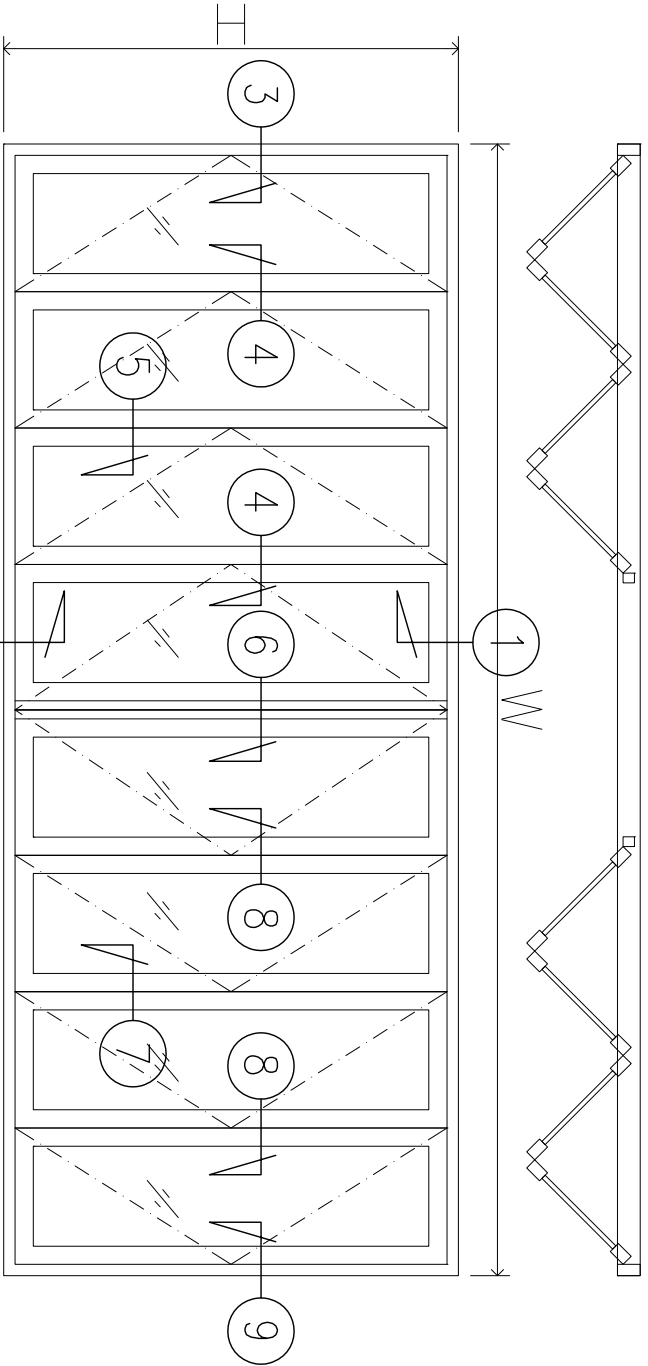
HORIZONTAL DETAIL



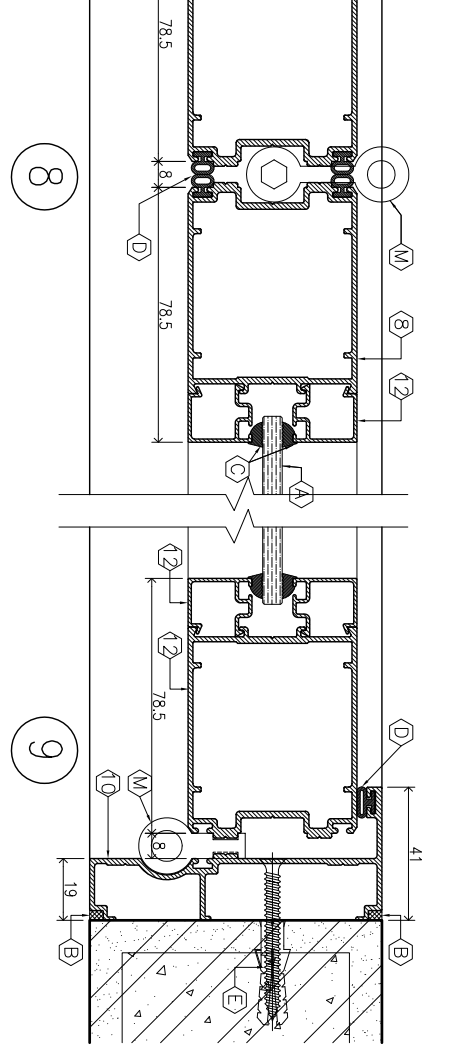
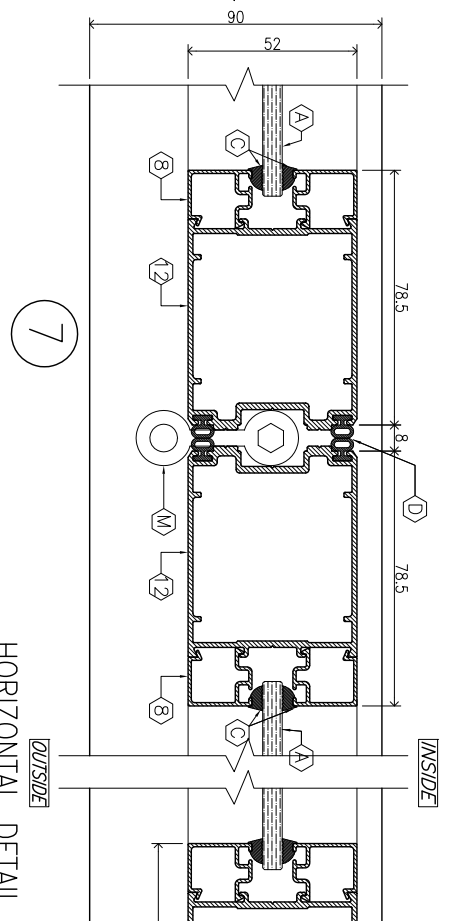
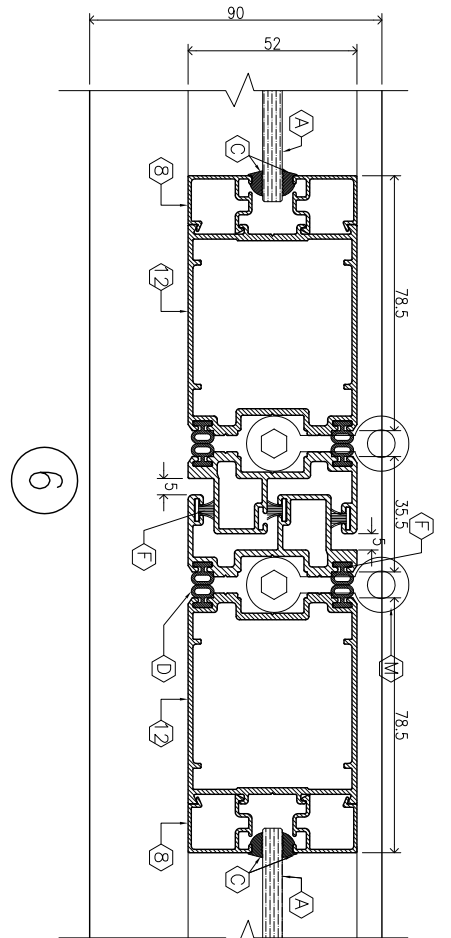
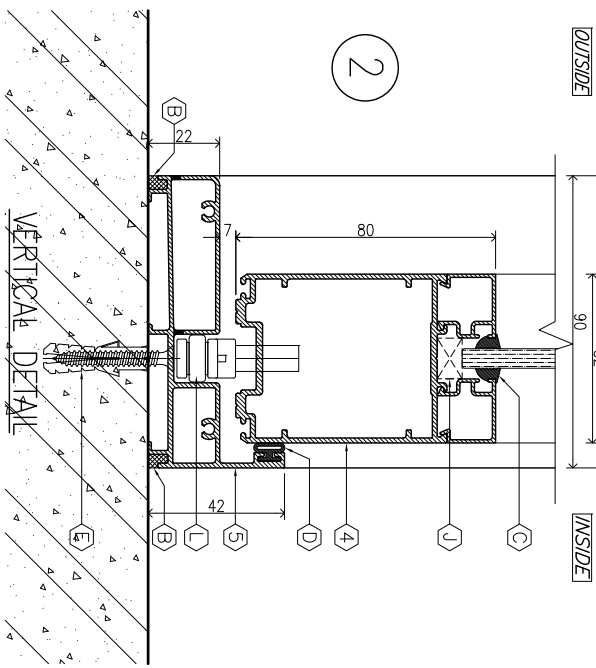
VERTICAL DETAIL

PROJECT : STANDARD PROJECT	OWNER :	ALUMINIUM CONTRACTOR :	 ALUMINIUM (THAILAND) CO.,LTD. 27/28 Moo 11, Bangna-Boonrut Road, Bangna Suburb, Bangkok 10700 Tel. : 096-765-8863, 097-765-8864	DRAWING TITLE DOOR & WINDOW TYPICAL STANDARD DETAIL	<table border="1"> <thead> <tr> <th>NO.</th> <th>DATE</th> <th>REVISION DESCRIPTION</th> <th>APPROVED</th> </tr> </thead> <tbody> <tr><td> </td><td> </td><td> </td><td> </td></tr> <tr><td> </td><td> </td><td> </td><td> </td></tr> <tr><td> </td><td> </td><td> </td><td> </td></tr> </tbody> </table>	NO.	DATE	REVISION DESCRIPTION	APPROVED												
NO.	DATE	REVISION DESCRIPTION	APPROVED																		
LOCATION :	LOCATION :	DATE :	DESIGN & DWN : MANIT SRSANGSUNG ML-4193	APPROVED BY	CHKD. BY : SCALE : 1 : 2 (A3) DRAWING NO. FD-02A																

ALUMINIUM EXTRUDED SECTION ALLOY 6063-T5	
1	HEAD SECTION
2	TRANSOM SECTION
3	TOPRAIL SECTION
4	BOTTOMRAIL SECTION
5	SILL SECTION
6	LOCKER STILE SECTION
7	INNER LOCKER STILE SECTION
8	STILE SECTION
9	MULLION SECTION
10	JAMB SECTION
11	SASH SECTION
12	BEAD SECTION
ACCESSORIES DOOR & WINDOW	
A	GLASS PANELS
B	SILICONE SEALANT
C	GLAZING SEALANT
D	BUBBLE GASKET
E	SCREW & NYLON PLUG
F	WOOL PILE
G	ROLLER SLIDING
H	HANDLE LOCK
I	CAM LOCK
J	SETTING BLOCK
K	EXPANSION BOLTS
L	ROLLER
M	HINGE



HORIZONTAL DETAIL



PROJECT : STANDARD PROJECT	OWNER :	ALUMINIUM CONTRACTOR : ORM ALUMINIUM CO. (THAILAND) CO., LTD. 27/28 Moo 11, Rama 9 Road, Bangkok 10310, Thailand Tel. : 096-765-8863, 097-765-8864	DRAWING TITLE DOOR & WINDOW TYPICAL STANDARD DETAIL	NO.	DATE	REVISION DESCRIPTION	APPROVED	DATE :	DESIGN & DWN : MANIT SRSANGSUNG ML.4193	APPROVED BY
LOCATION :	LOCATION :								CHKD. BY :	
									SCALE : 1 : 2 (A3)	DRAWING NO. FD-03A