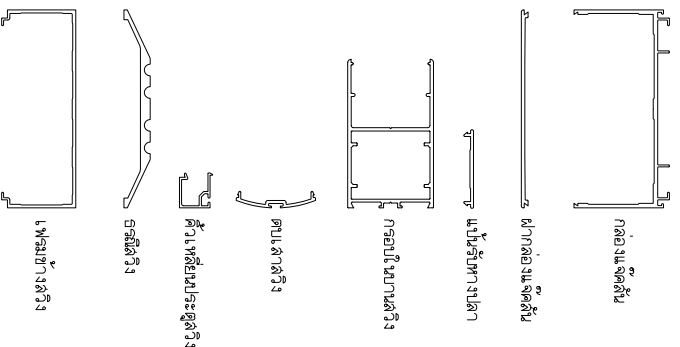
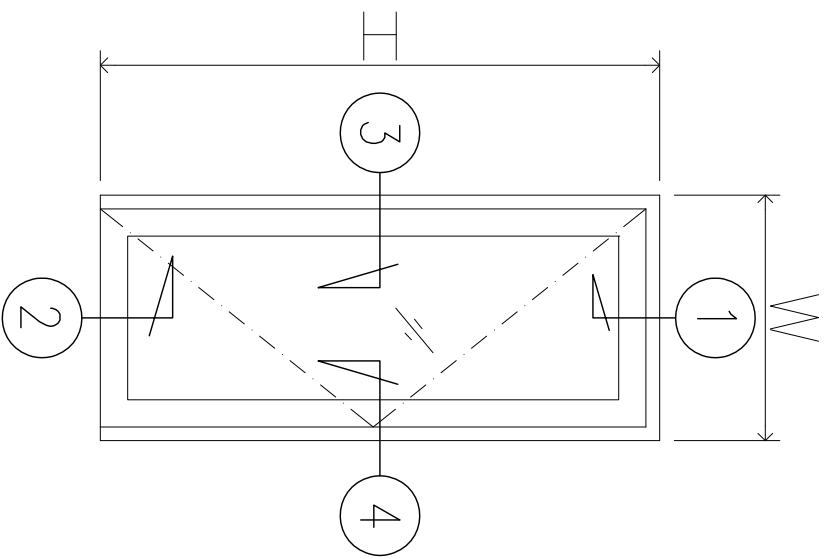


14-புது. புவனகிரி

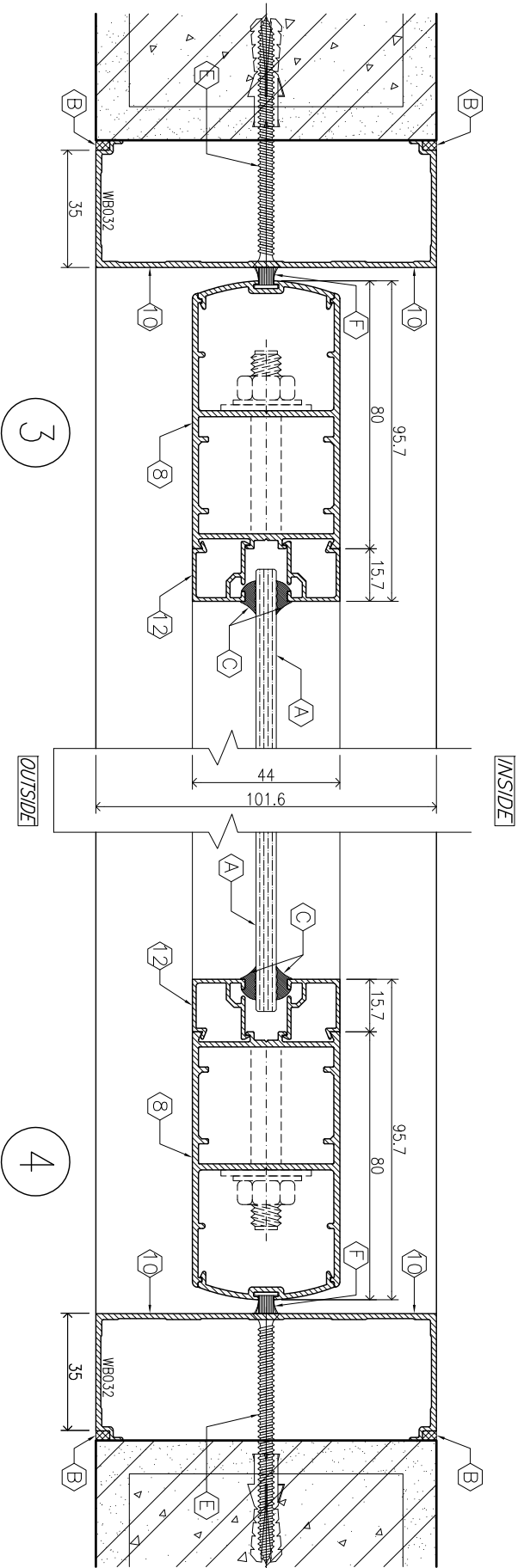
ALUMINIUM EXTRUDED SECTION ALLOY 6063-T5	
①	HEAD SECTION
②	TRANSOM SECTION
③	TOPRAIL SECTION
④	BOTTOMRAIL SECTION
⑤	SILL SECTION
⑥	LOCKER STILE SECTION
⑦	INNER LOCKER STILE SECTION
⑧	STILE SECTION
⑨	MULLION SECTION
⑩	JAMB SECTION
⑪	SASH SECTION
⑫	BEAD SECTION



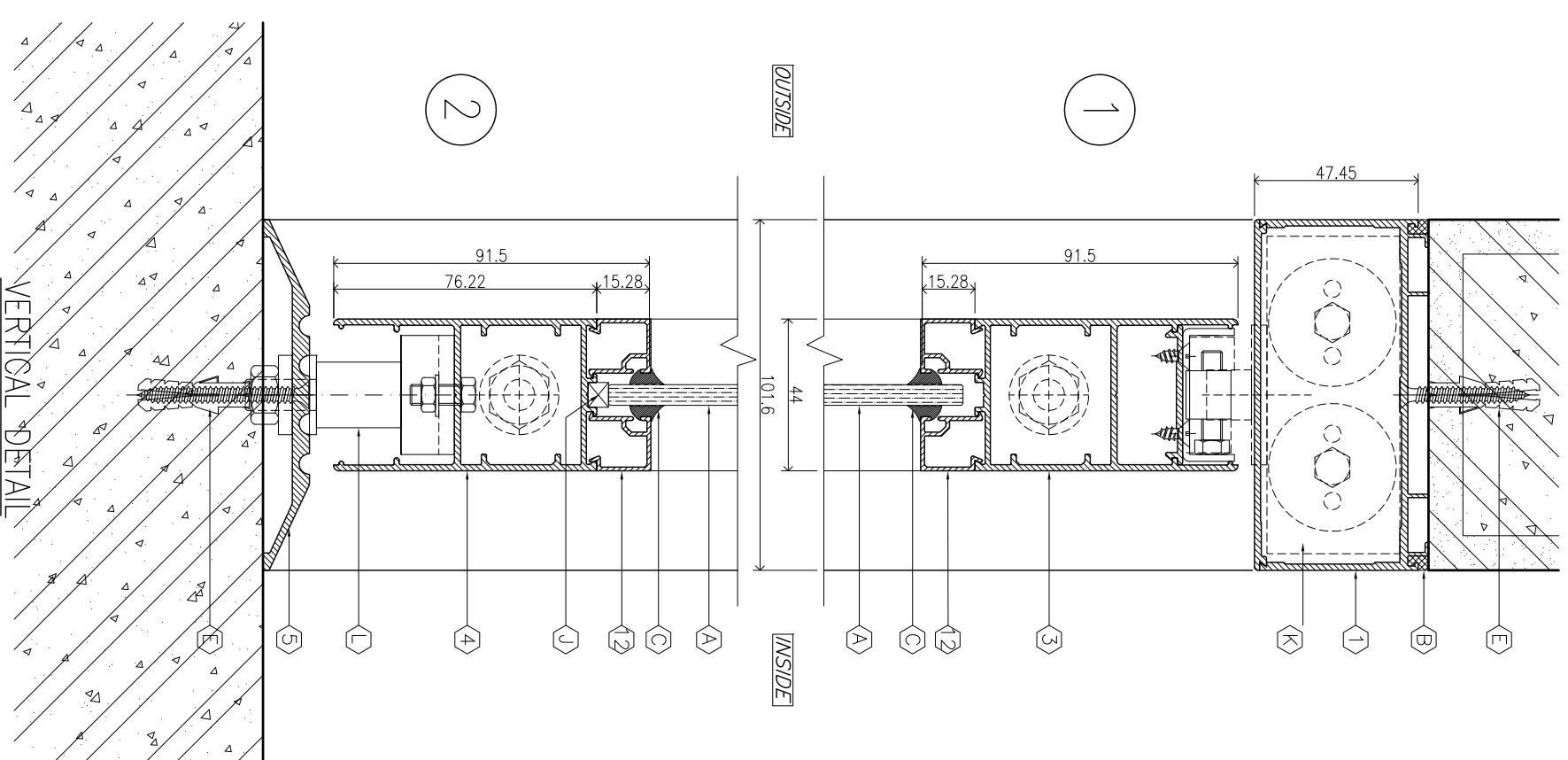
ACCESSORIES DOOR & WINDOW	
(A)	GLASS PANELS
(B)	SILICONE SEALANT
(C)	GLAZING GASKET
(D)	BUBBLE GASKET
(E)	SCREW & NYLON PLUG
(F)	WOOL PILE
(G)	ROLLER SLIDING
(H)	HANDLE LOCK
(I)	CAM LOCK
(J)	SETTING BLOCK
(K)	DOOR CLOSER
(L)	DOOR PIVOT



TYPICAL SWING DOOR ELEVATION



HORIZONTAL DETAIL

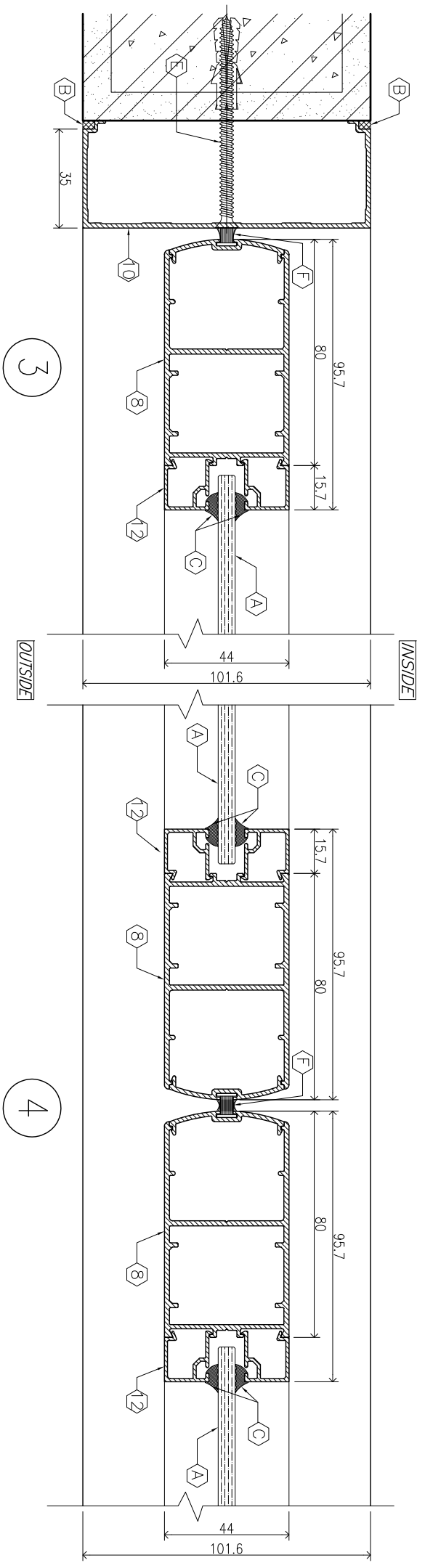
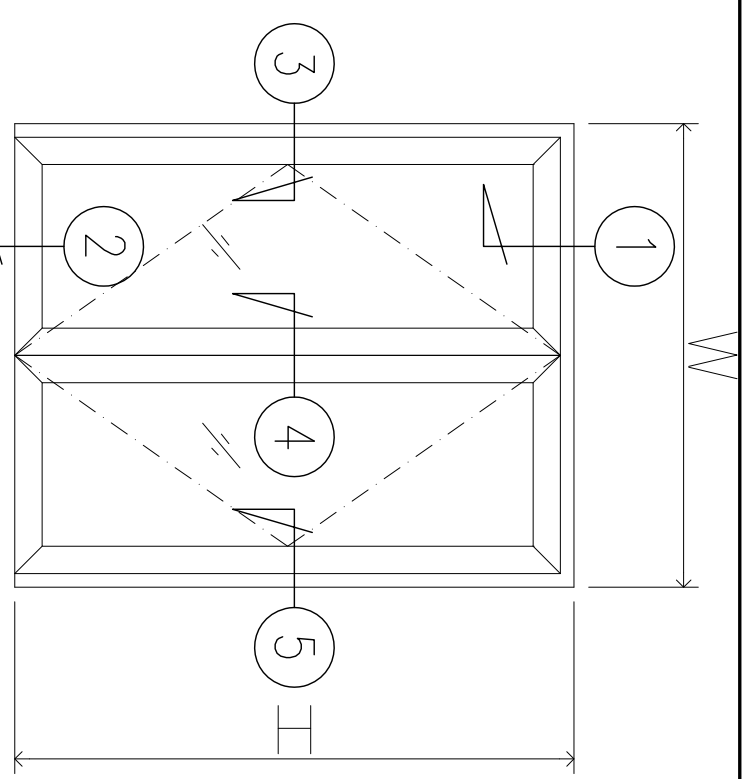
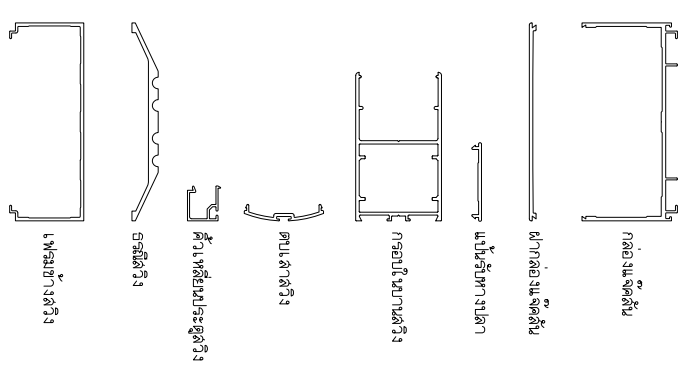


VERTICAL DETAIL

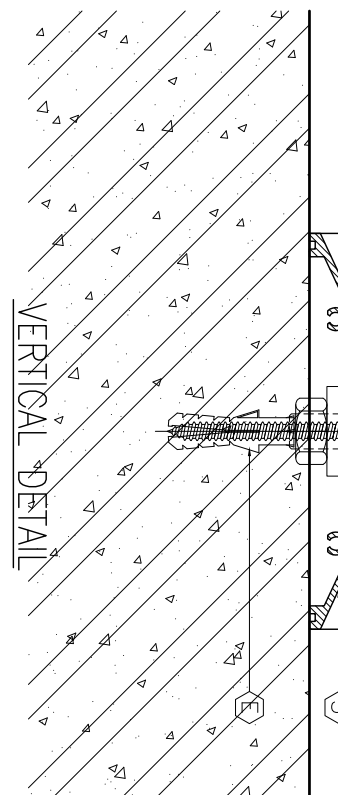
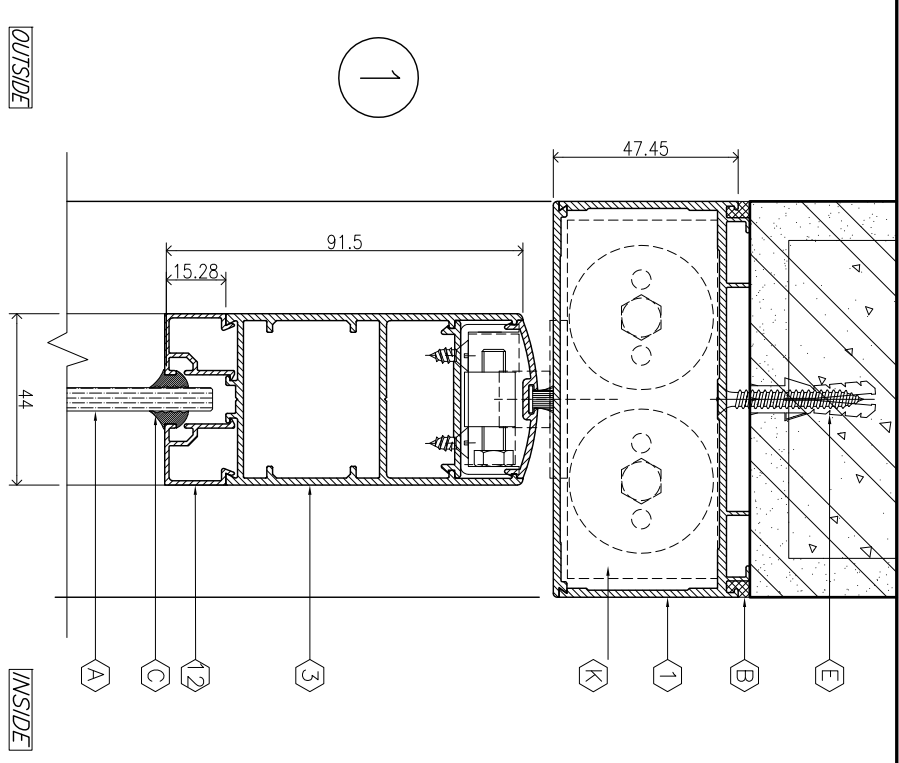
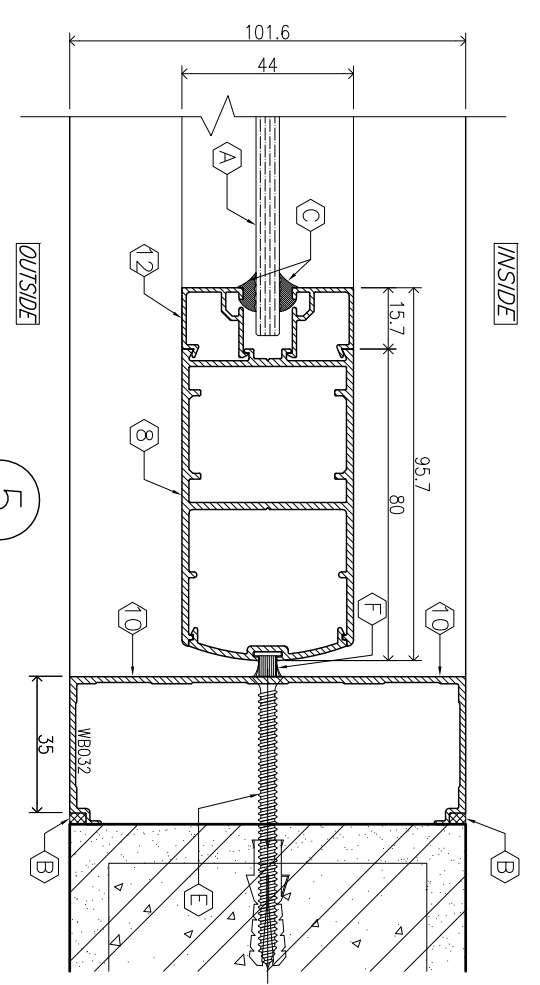
PROJECT : STANDARD PROJECT	OWNER :	ALUMINIUM CONTRACTOR : ORM ALUMINIUM CO. (THAILAND) CO., LTD. 27/28 Moo 11, Bangna-Boonrut Road, Bang Na Suburb, Bangkok 10700 Tel. : 096-765-8363, 097-765-8364	DRAWING TITLE DOOR & WINDOW TYPICAL STANDARD DETAIL	REVISION	DATE :	APPROVED BY			
LOCATION :				NO.	DATE	DESCRIPTION	APPROVED	DESIGN & DWN : MANIT SRSANGSUNG TEL. 4193	DRAWING NO. SW-01
								CHKD. BY :	SCALE : 1 : (A3)

SYMBOL	ALUMINIUM EXTRUDED SECTION ALLOY 6063-T5
1	HEAD SECTION
2	TRANSOM SECTION
3	TOPRAIL SECTION
4	BOTTOMRAIL SECTION
5	SILL SECTION
6	LOCKER STILE SECTION
7	INNER LOCKER STILE SECTION
8	STILE SECTION
9	MULLION SECTION
10	JAMB SECTION
11	SASH SECTION
12	BEAD SECTION

SYMBOL	ACCESSORIES DOOR & WINDOW
A	GLASS PANELS
B	SILICONE SEALANT
C	GLAZING GASKET
D	BUBBLE GASKET
E	SCREW & NYLON PLUG
F	WOOL PILE
G	ROLLER SLIDING
H	HANDLE LOCK
I	CAM LOCK
J	SETTING BLOCK
K	DOOR CLOSER
L	DOOR PIVOT

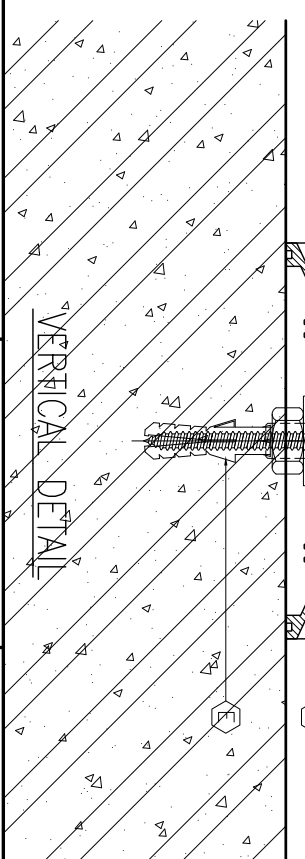
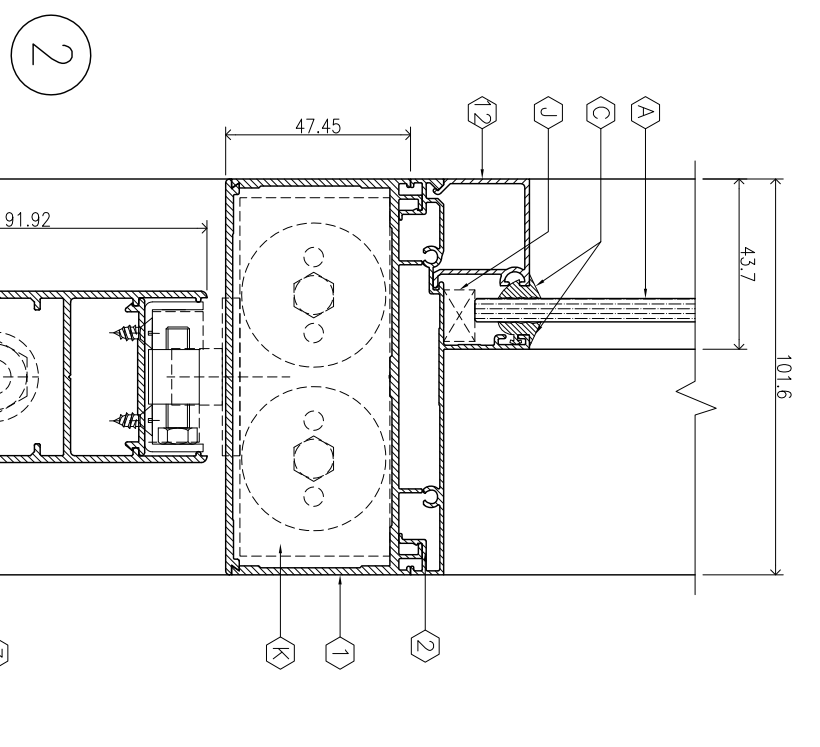
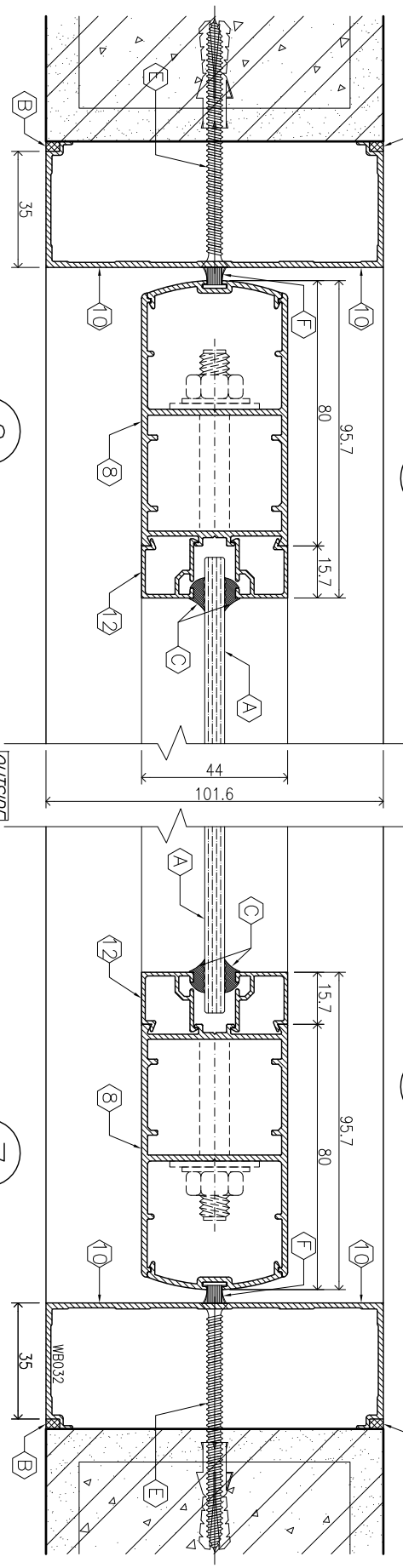
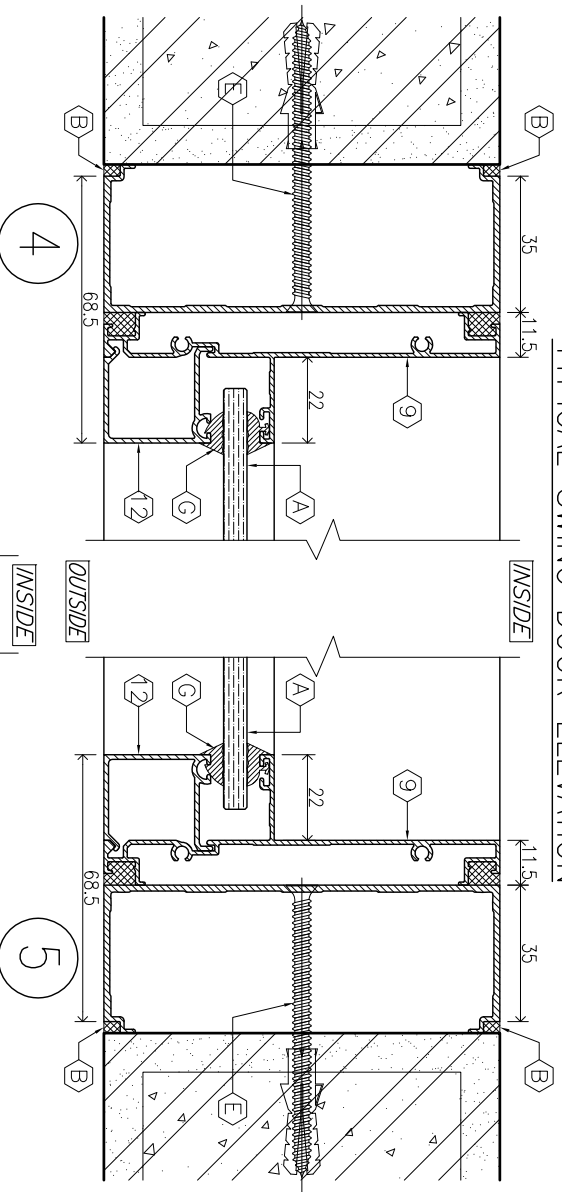
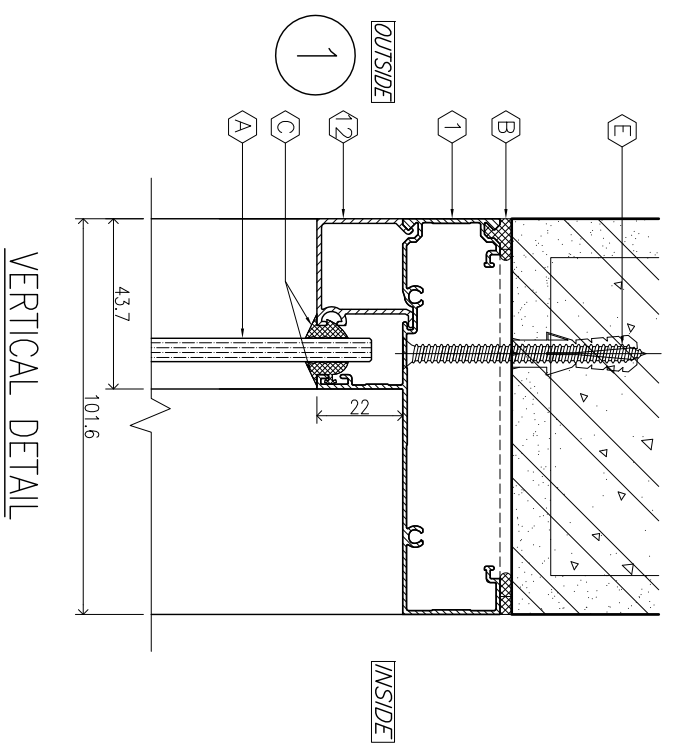
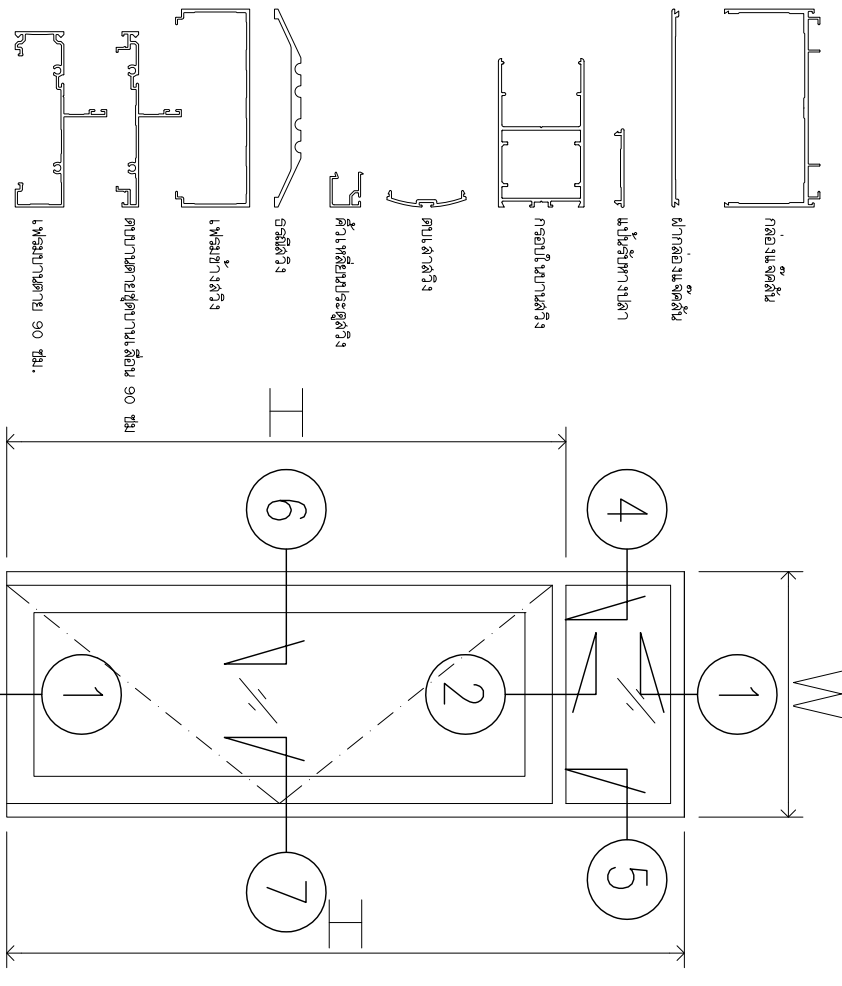


HORIZONTAL DETAIL



PROJECT : STANDARD PROJECT
 OWNER :
 LOCATION :
 ALUMINIUM CONTRACTOR :
ORM
 ALUMINIUM (THAILAND) CO.,LTD.
 27/28 Moo 11, Bangna-Boonrat Road, Bangna District, Bangkok 10700, Thailand
 Tel. : 096-755-8863, 093-755-8864
 DRAWING TITLE : DOOR & WINDOW TYPICAL STANDARD DETAIL
 REVISION :
 NO. DATE DESCRIPTION APPROVED
 DATE :
 DESIGN & DWN : MANIT SRISANGSUNG ML.4193
 CHKD. BY :
 SCALE : 1 : (A3)
 APPROVED BY :
 DRAWING NO. : SW-02

SYMBOL	ALUMINIUM EXTRUDED SECTION
ALLOY	6063-T5
(1)	HEAD SECTION
(2)	TRANSOM SECTION
(3)	TOPRAIL SECTION
(4)	BOTTOMRAIL SECTION
(5)	SILL SECTION
(6)	LOCKER STILE SECTION
(7)	INTER LOCKER STILE SECTION
(8)	STILE SECTION
(9)	MULLION SECTION
(10)	JAMB SECTION
(11)	SASH SECTION
(12)	BEAD SECTION
ACCESSORIES	
(A)	GLASS PANELS
(B)	SILICONE SEALANT
(C)	GLAZING GASKET
(D)	BUBBLE GASKET
(E)	SCREW & NYLON PLUG
(F)	WOOL PILE
(G)	ROLLER SLIDING
(H)	HANDLE LOCK
(I)	CAM LOCK
(J)	SETTING BLOCK
(K)	DOOR CLOSER
(L)	DOOR PIVOT



PROJECT : STANDARD PROJECT
 LOCATION :

OWNER :
 LOCATION :

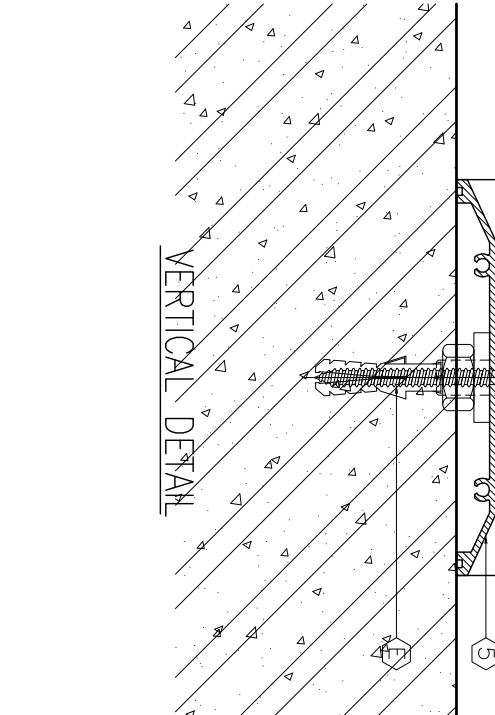
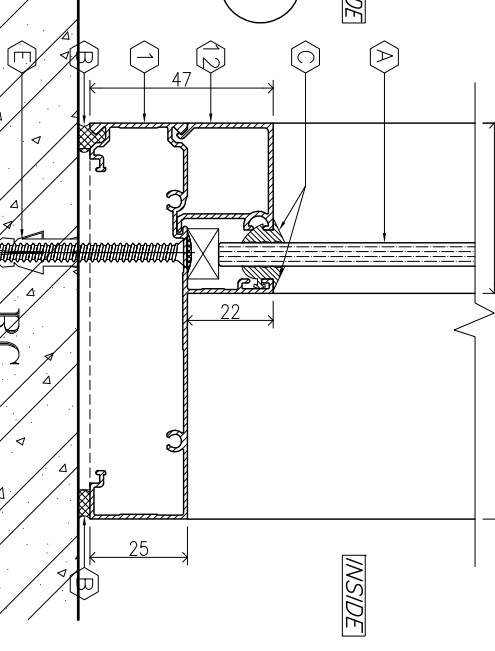
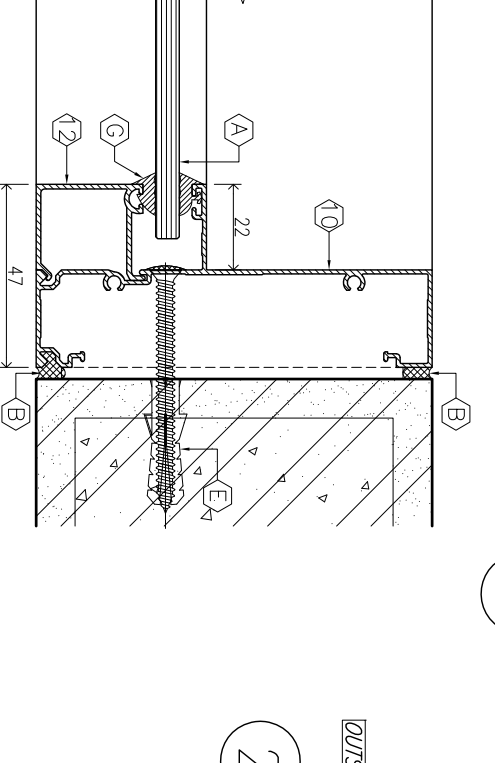
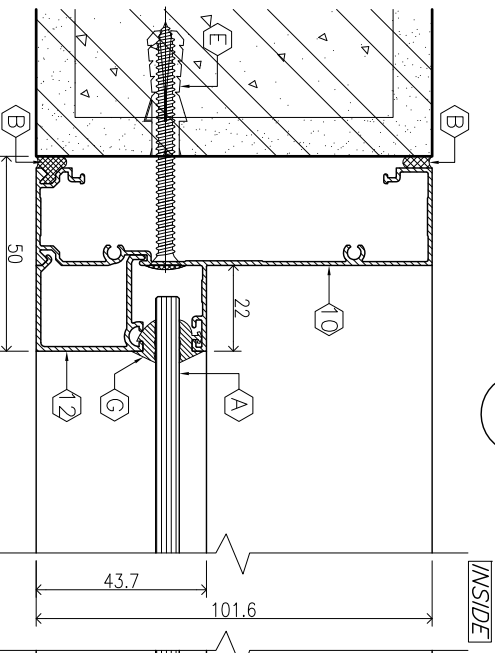
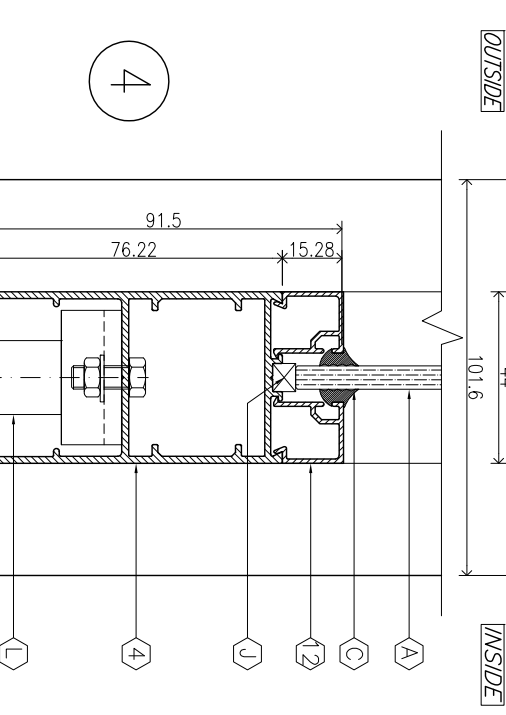
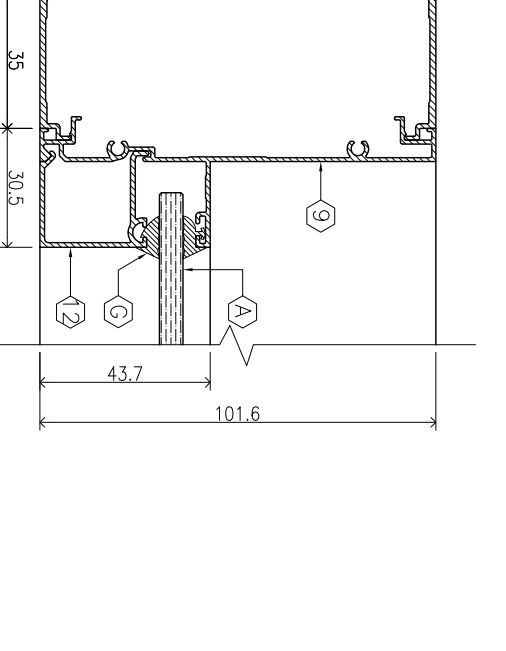
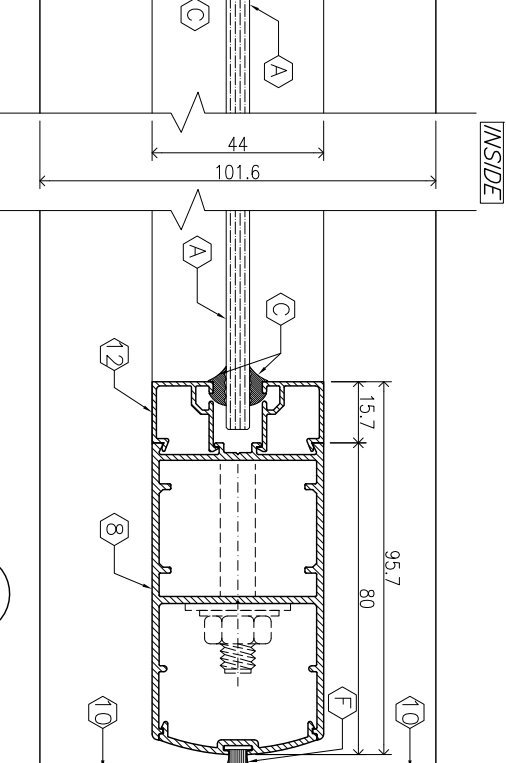
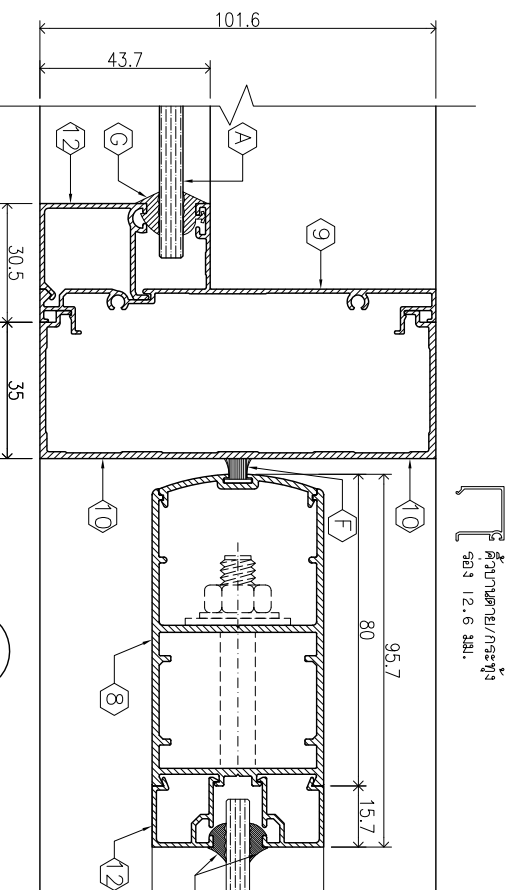
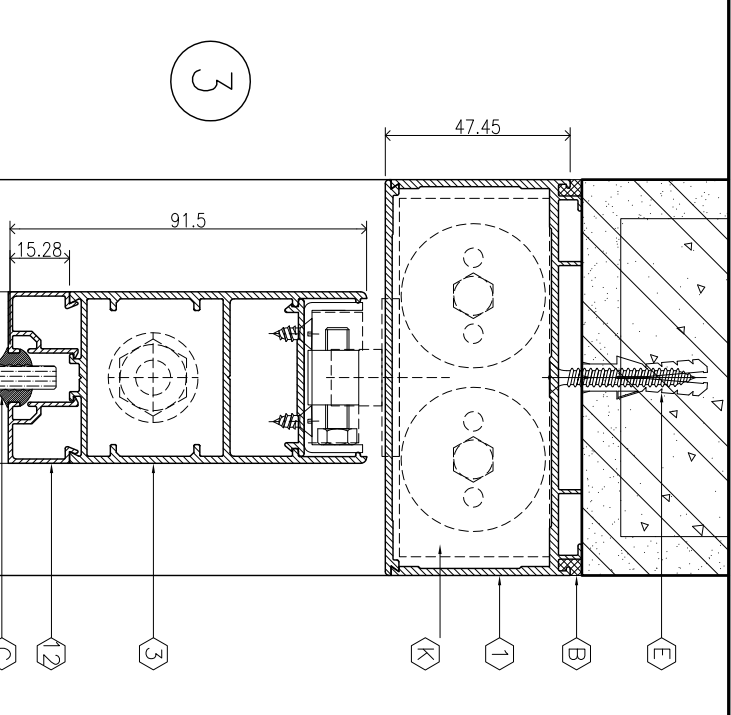
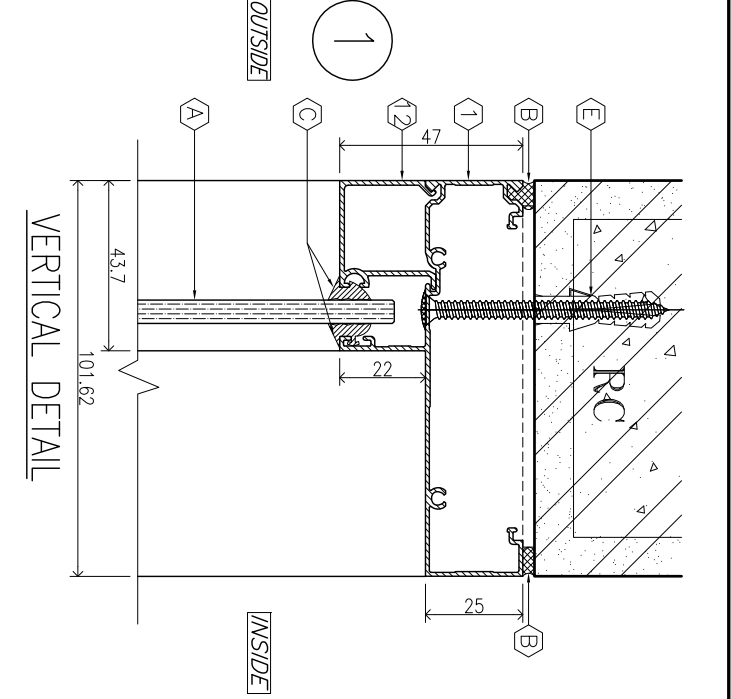
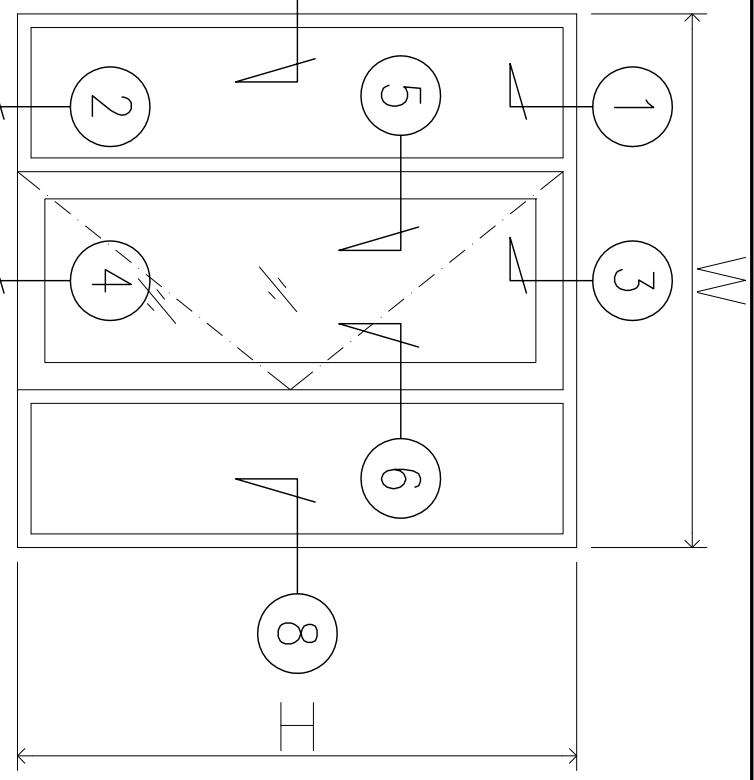
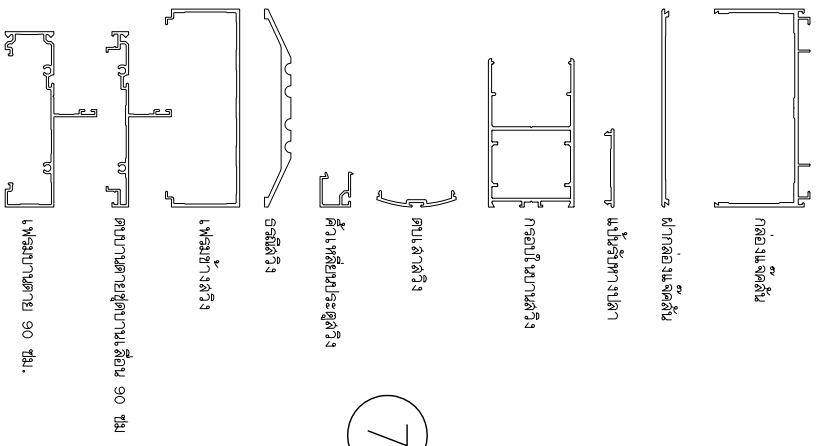
ALUMINIUM CONTRACTOR :
ORM
 ALUMINIUM CO. (THAILAND) CO., LTD.
 27/28 Moo 11, Bangna-Prachin Bypass
 Bangna Suburb, Bangkok 10700
 Tel. : 096-765-8363, 097-765-8364

DRAWING TITLE :
 DOOR & WINDOW
 TYPICAL STANDARD DETAIL

NO.	DATE	REVISION DESCRIPTION	APPROVED

DATE :
 DESIGN & DWN : MANIT SRSANSUNG ML.4193
 CHKD. BY :
 SCALE : 1 : (A3)
 APPROVED BY :
 DRAWING NO. : SW-03

ALUMINIUM EXTRUDED SECTION
ALLOY 6063-T5
1 HEAD SECTION
2 TRANSOM SECTION
3 TOPRAIL SECTION
4 BOTTOMRAIL SECTION
5 SILL SECTION
6 LOCKER STILE SECTION
7 INTER LOCKER STILE SECTION
8 STILE SECTION
9 MULLION SECTION
10 JAMB SECTION
11 SASH SECTION
12 BEAD SECTION
ACCESSORIES
DOOR & WINDOW
A GLASS PANELS
B SILICONE SEALANT
C GLAZING GASKET
D RUBBLE GASKET
E SCREW & NYLON PLUG
F WOOL PILE
G ROLLER SLIDING
H HANDLE LOCK
I CAM LOCK
J SETTING BLOCK
K DOOR CLOSER
L DOOR PIVOT



HORIZONTAL DETAIL

PROJECT : STANDARD PROJECT

OWNER :

ALUMINIUM CONTRACTOR : **ORM**

ALUMINIUM (THAI) CO., LTD.
27/28 Moo 11, Bangna-Boonrut Road, Bangna District, Bangkok 10700, Thailand
Tel. : 096-765-8363, 093-765-8364

DRAWING TITLE : DOOR & WINDOW TYPICAL STANDARD DETAIL

NO.	DATE	REVISION DESCRIPTION	APPROVED

DATE :
DESIGN & DWN : MANIT SRISANGSUNG ML.4193
CHKD. BY :
SCALE : 1 : (A3)

APPROVED BY :
DRAWING NO. : SW-04