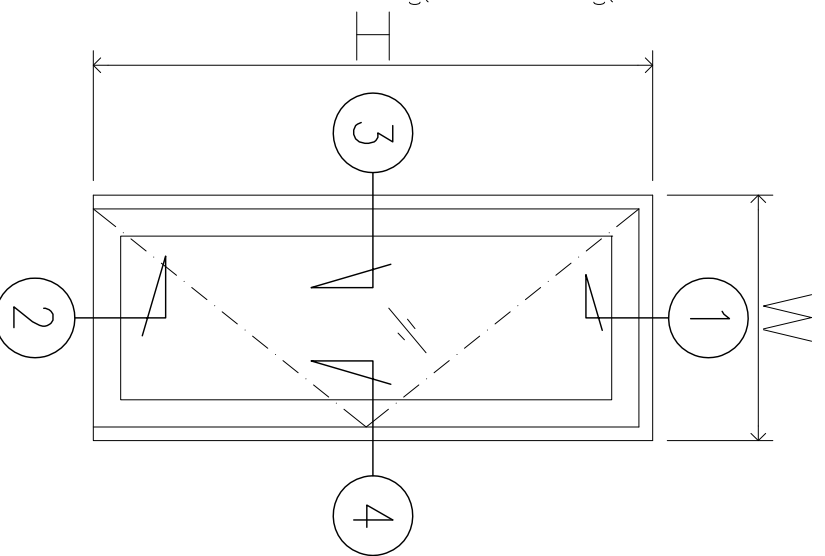
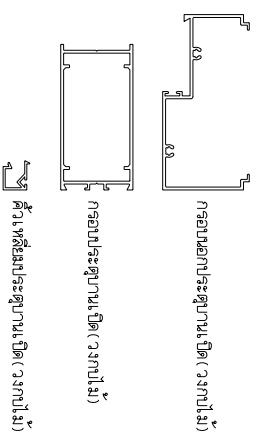


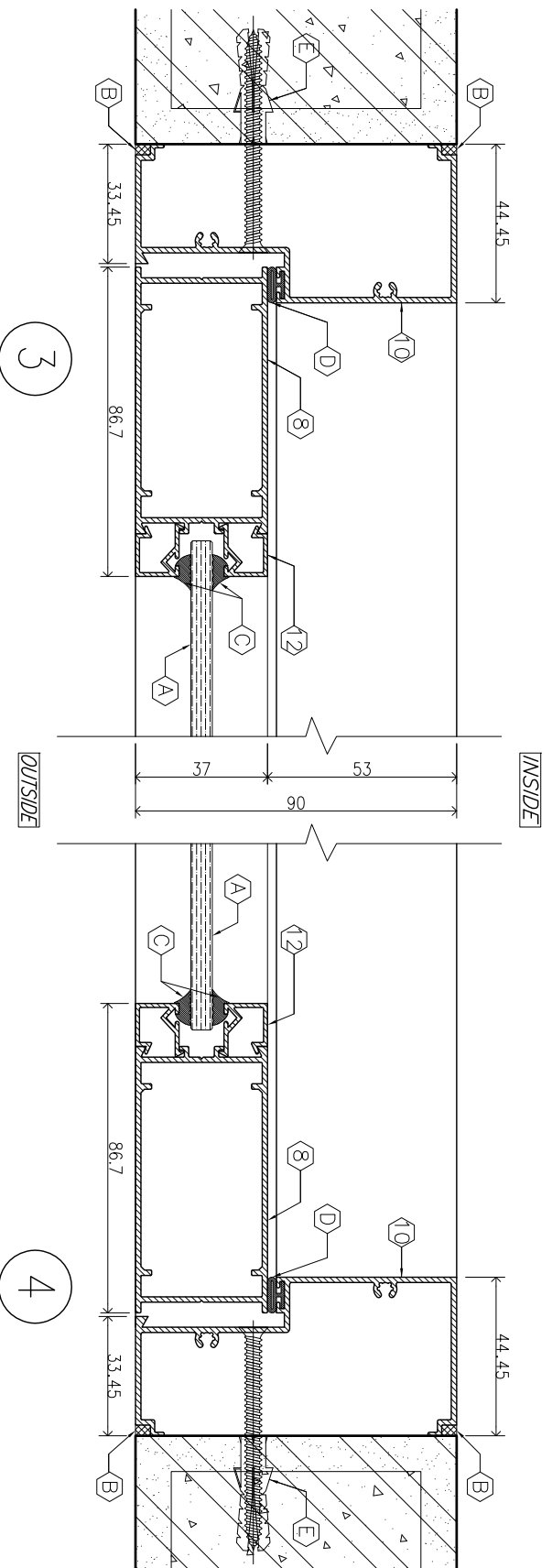
15-புது. பானசு. சூடு (அ. அ. அ. அ. அ.)

ALUMINIUM EXTRUDED SECTION ALLOY 6063-T5	
①	HEAD SECTION
②	TRANSOM SECTION
③	TOPRAIL SECTION
④	BOTTOMRAIL SECTION
⑤	SILL SECTION
⑥	LOCKER STILE SECTION
⑦	INNER LOCKER STILE SECTION
⑧	MULLION SECTION
⑨	JAMB SECTION
⑩	SASH SECTION
⑪	BEAD SECTION

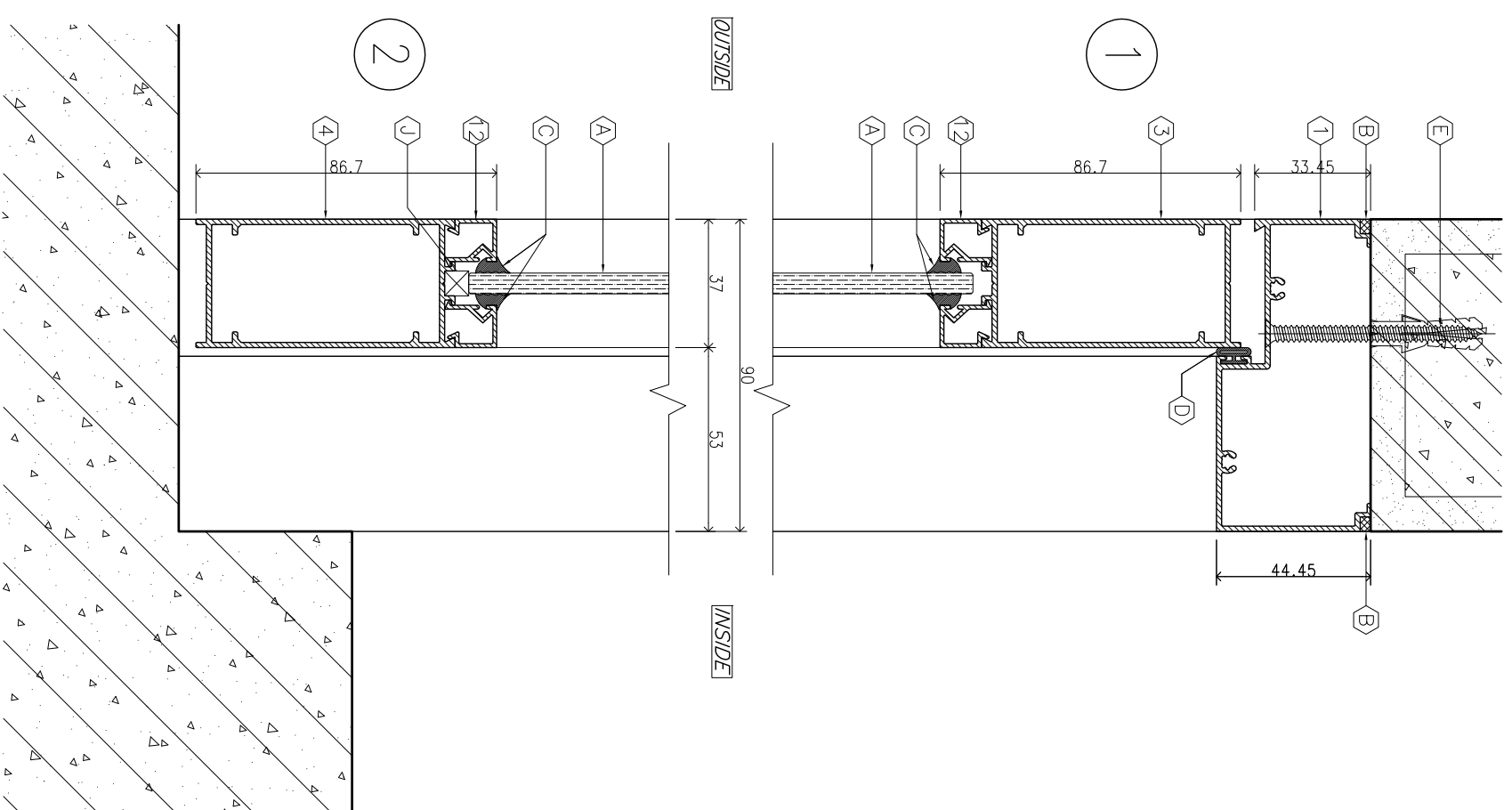
ACCESSORIES DOOR & WINDOW	
Ⓐ	GLASS PANELS
Ⓑ	SILICONE SEALANT
Ⓒ	GLAZING GASKET
Ⓓ	BUBBLE GASKET
Ⓔ	SCREW & NYLON PLUG
Ⓕ	WOOL PILE
Ⓖ	ROLLER SLIDING
Ⓗ	HANDLE LOCK
Ⓛ	CAM LOCK
Ⓜ	SETTING BLOCK
Ⓝ	DOOR CLOSER
Ⓚ	DOOR PIVOT



TYPICAL SWING DOOR ELEVATION



HORIZONTAL DETAIL



VERTICAL DETAIL

PROJECT :
STANDARD PROJECT

OWNER :

ALUMINIUM CONTRACTOR :

ALUMINIUM CONTRACTOR :



ALUMINIUM ORN (THAILAND) CO.,LTD.
27/28 Moo 11, Bangma Bridge
Bangkok 10310, Thailand
Tel. : 09-765-883, 097-765-8884

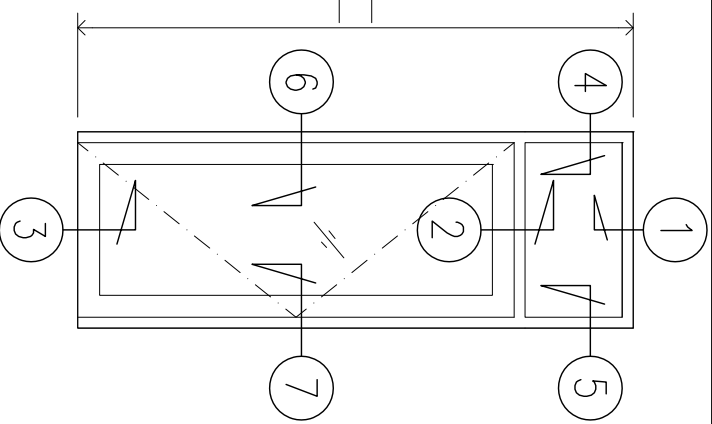
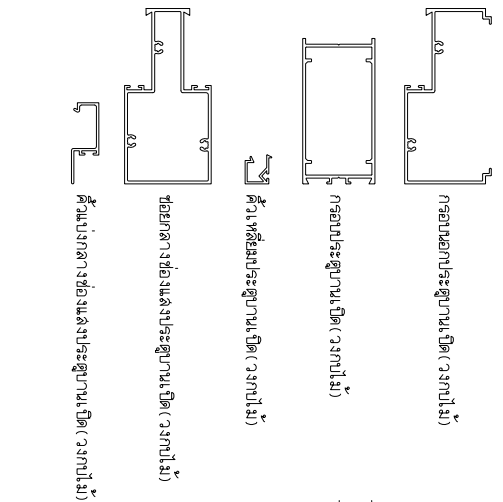
DRAWING TITLE

DOOR & WINDOW
TYPICAL STANDARD DETAIL

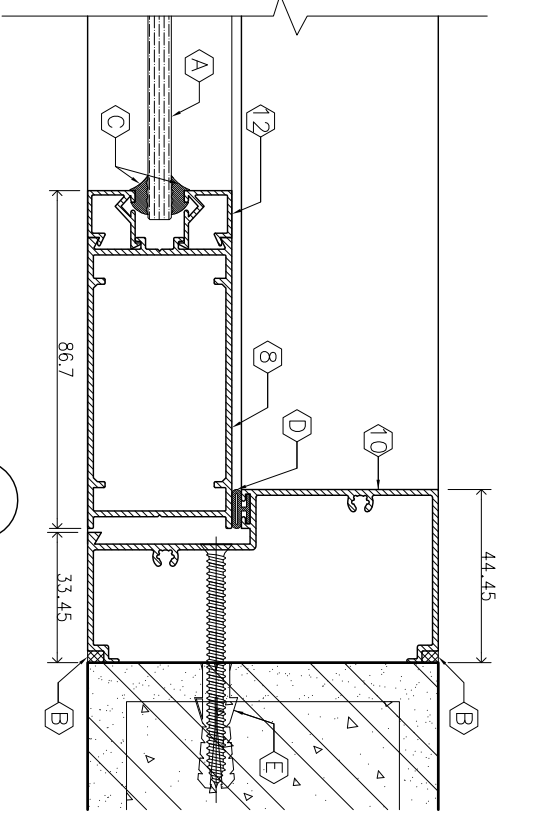
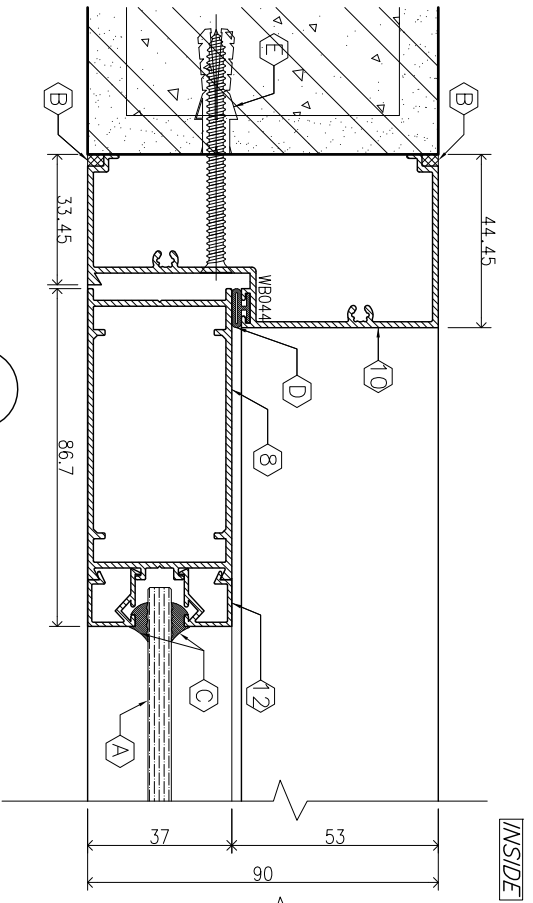
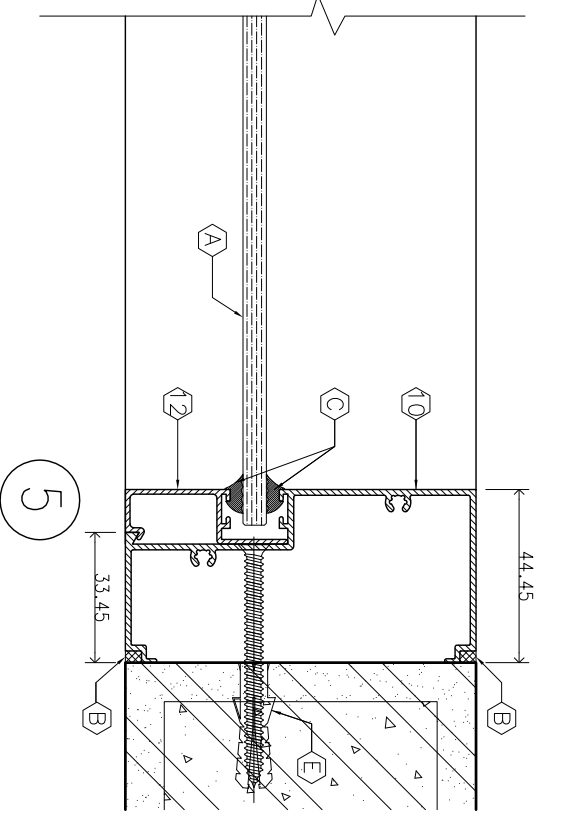
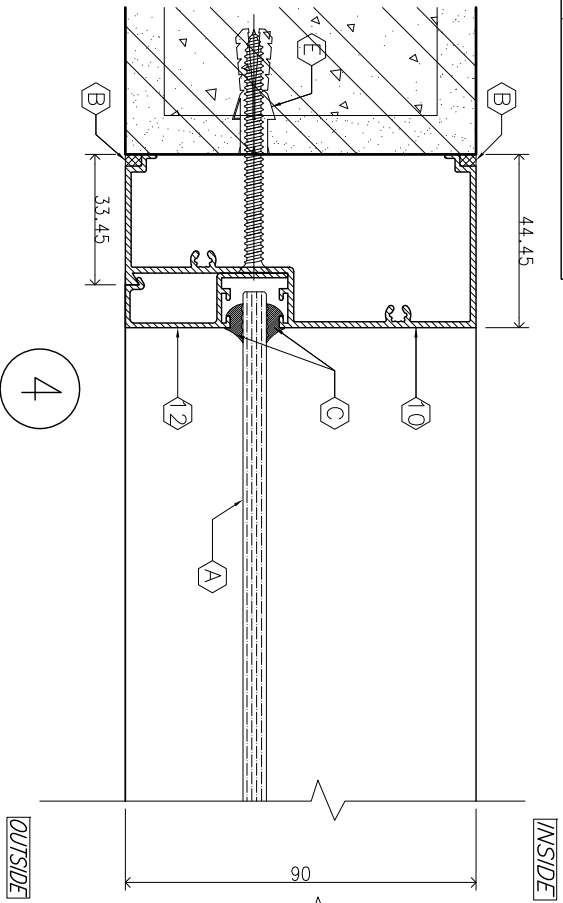
REVISION			DATE :		APPROVED BY
NO.	DATE	DESCRIPTION	DESIGN & DWN :	CHKD. BY :	DRAWING NO.
			MANIT SRISANGSUNG ML.4193		DO-1
			SCALE :	1 : (A3)	

ALUMINIUM EXTRUDED SECTION ALLOY 6063-T5	
1	HEAD SECTION
2	TRANSOM SECTION
3	TOPRAIL SECTION
4	BOTTOMRAIL SECTION
5	SILL SECTION
6	LOCKER STILE SECTION
7	INNER LOCKER STILE SECTION
8	MULLION SECTION
9	JAMB SECTION
10	SASH SECTION
11	BEAD SECTION
12	

ACCESSORIES DOOR & WINDOW	
A	GLASS PANELS
B	SILICONE SEALANT
C	GLAZING GASKET
D	BUBBLE GASKET
E	SCREW & NYLON PLUG
F	WOOL PILE
G	ROLLER SLIDING
H	HANDLE LOCK
I	CAM LOCK
J	SETTING BLOCK
K	DOOR CLOSER
L	DOOR PIVOT



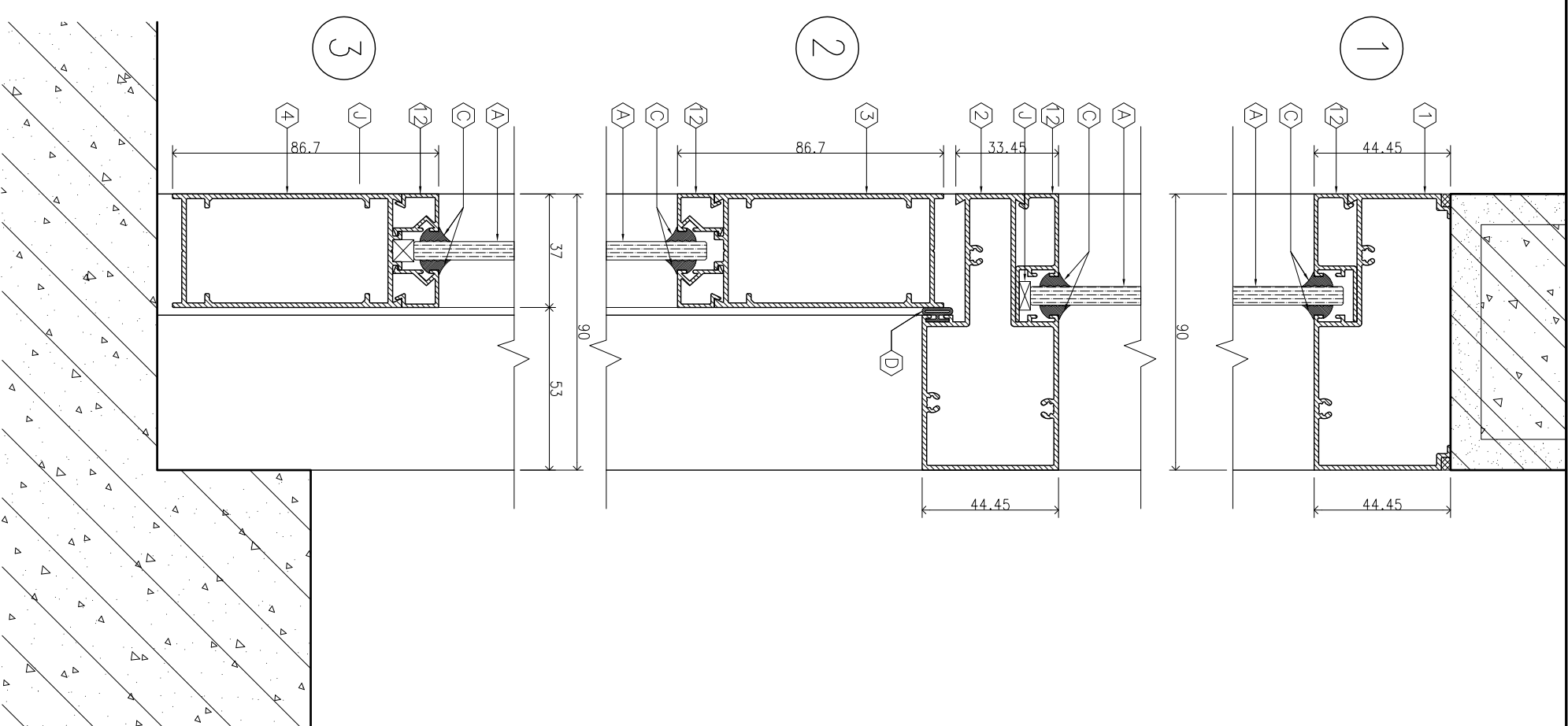
TYPICAL SWING DOOR & FIXED ELEVATION



HORIZONTAL DETAIL

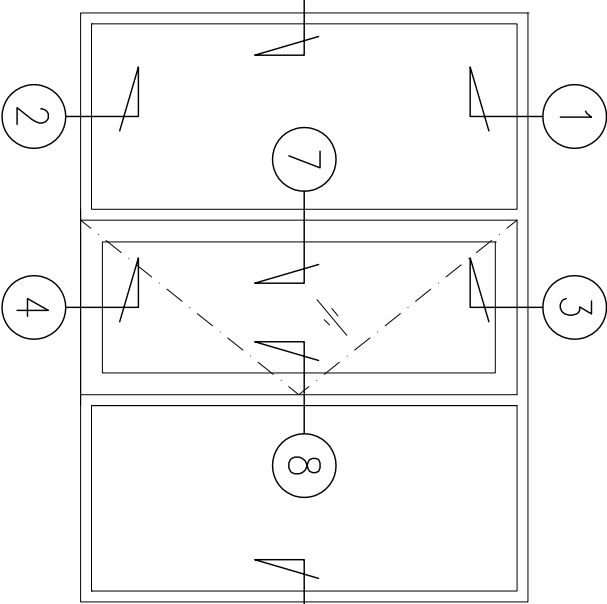
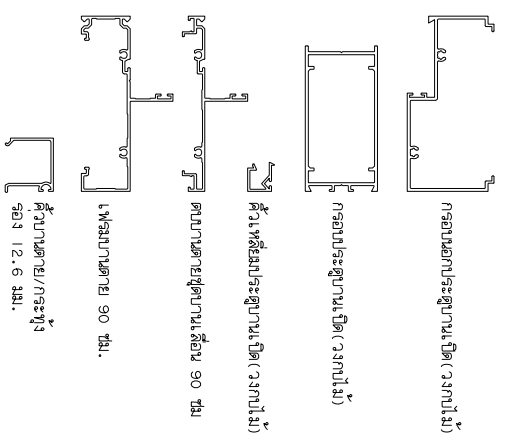
6

7

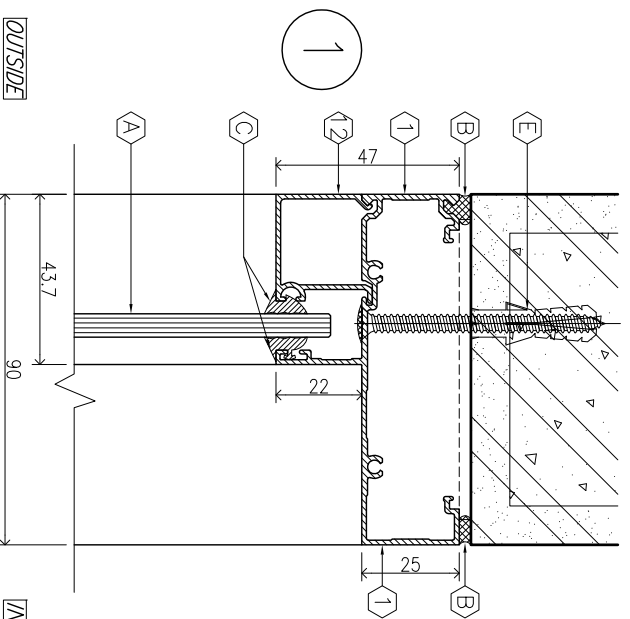


PROJECT : STANDARD PROJECT
 LOCATION :
 OWNER :
 LOCATION :
 ALUMINIUM CONTRACTOR :
ORM
 ALUMINIUM CO., (THAILAND) CO., LTD.
 27/28 Moo 11, Bangma Boeng
 Bangma Boeng Sub-township, Bangma Boeng District,
 Samut Prakan Province 10510, Thailand
 Tel. : 096-755-883, 097-755-884
 DRAWING TITLE : DOOR & WINDOW TYPICAL STANDARD DETAIL
 REVISION :
 NO. DATE DESCRIPTION APPROVED
 DATE :
 DESIGN & DWG : MANIT SRISANGSUNG ML.4193
 CHKD. BY :
 SCALE : 1 : (A3)
 APPROVED BY :
 DRAWING NO. : DO-2

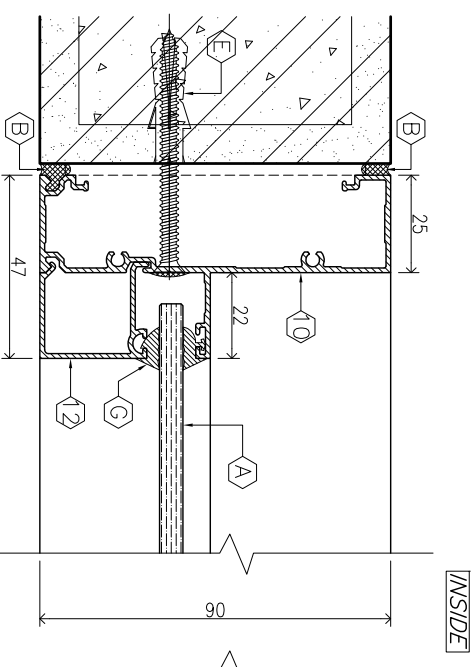
ALUMINIUM EXTRUDED SECTION
ALLOY 6063-T5
① HEAD SECTION
② TRANSOM SECTION
③ TOPRAIL SECTION
④ BOTTOMRAIL SECTION
⑤ SILL SECTION
⑥ LOCKER STILE SECTION
⑦ INTER LOCKER STILE SECTION
⑧ STILE SECTION
⑨ MULLION SECTION
⑩ JAMB SECTION
⑪ SASH SECTION
⑫ BEAD SECTION
ACCESSORIES
DOOR & WINDOW
A) GLASS PANELS
B) SILICONE SEALANT
C) GLAZING GASKET
D) RUBBLE GASKET
E) SCREW & NYLON PLUG
F) WOOL PILE
G) ROLLER SLIDING
H) HANDLE LOCK
I) CAM LOCK
J) SETTING BLOCK
K) DOOR CLOSER
L) DOOR PIVOT



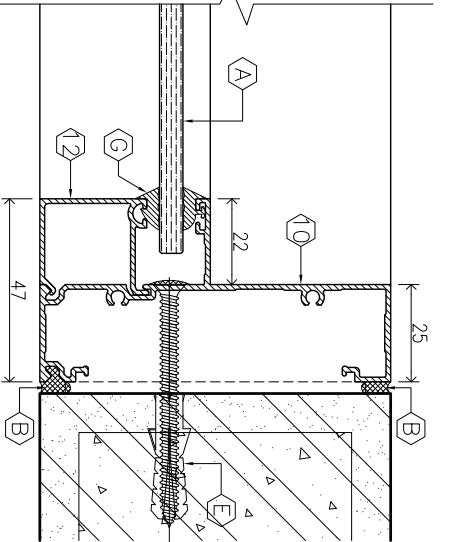
TYPICAL SWING DOOR & FIXED ELEVATION



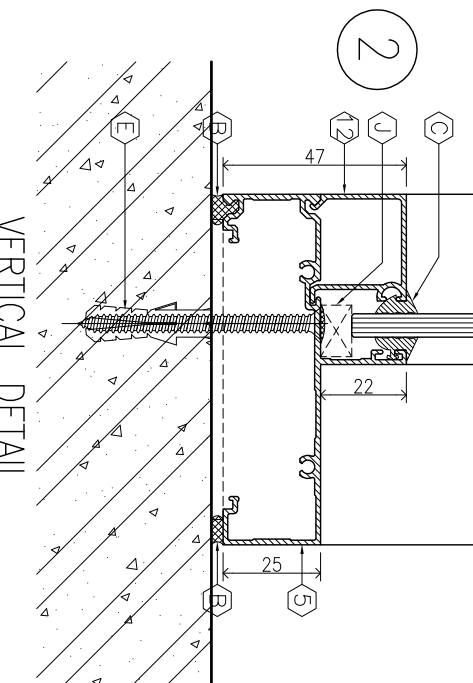
①



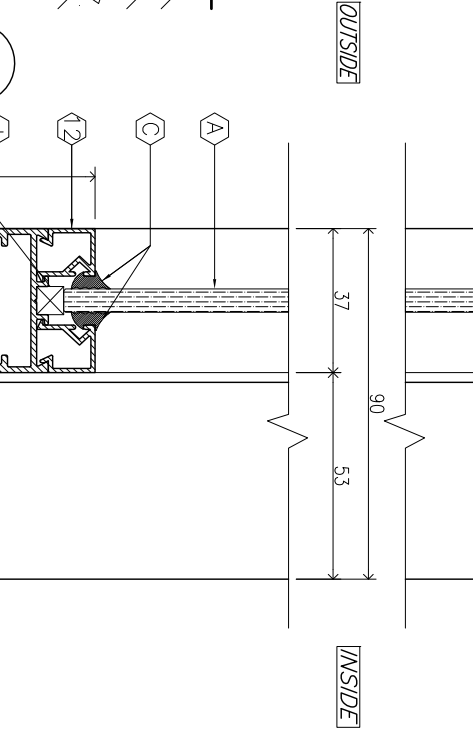
②



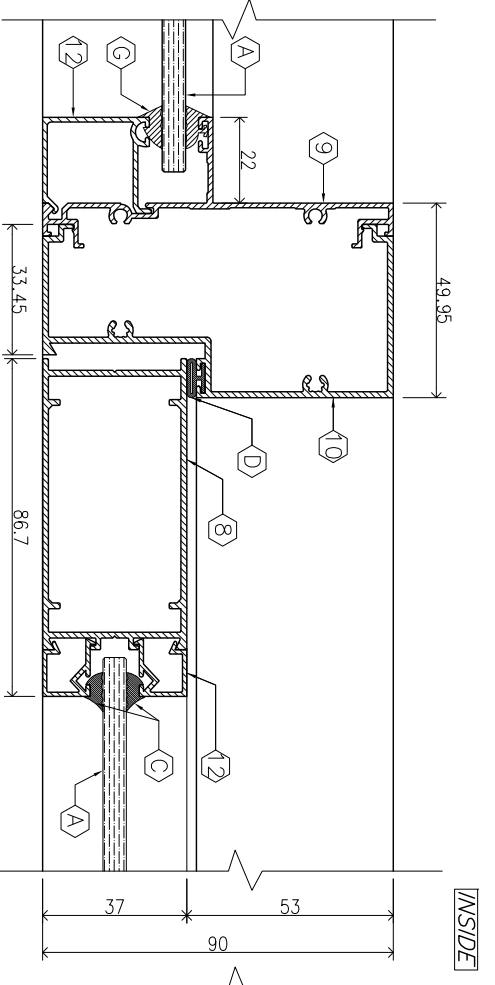
③



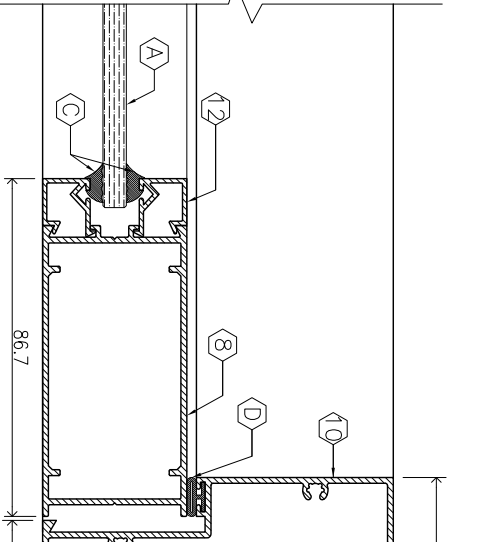
④



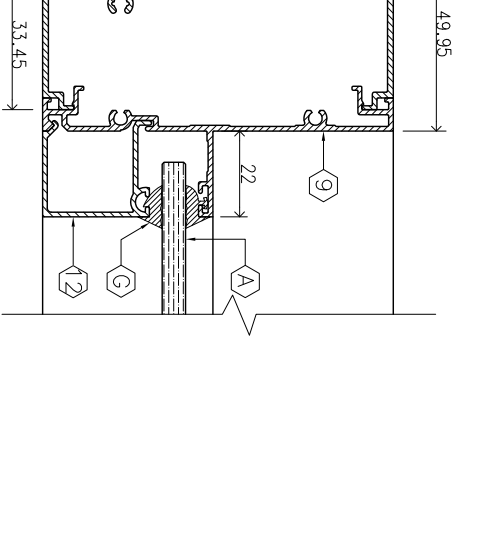
⑤



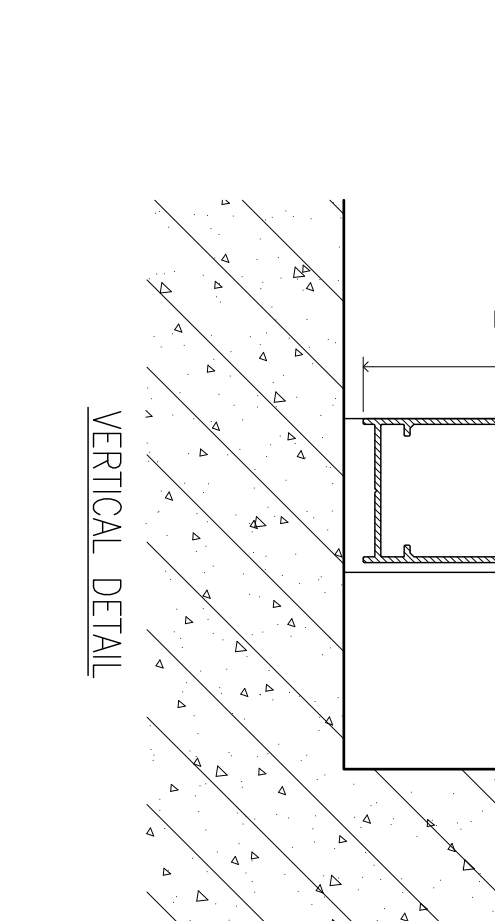
⑥



⑦



⑧



⑨

HORIZONTAL DETAIL

VERTICAL DETAIL

VERTICAL DETAIL

PROJECT : STANDARD PROJECT
 LOCATION :

OWNER :
 LOCATION :

ALUMINIUM CONTRACTOR :
ORM
 ALUMINIUM (THAILAND) CO., LTD.
 27/28 Moo 11, Bangna-Boonrut Road,
 Bang Na District, Bangkok 10700
 Tel. : 096-765-8863, 097-765-8864

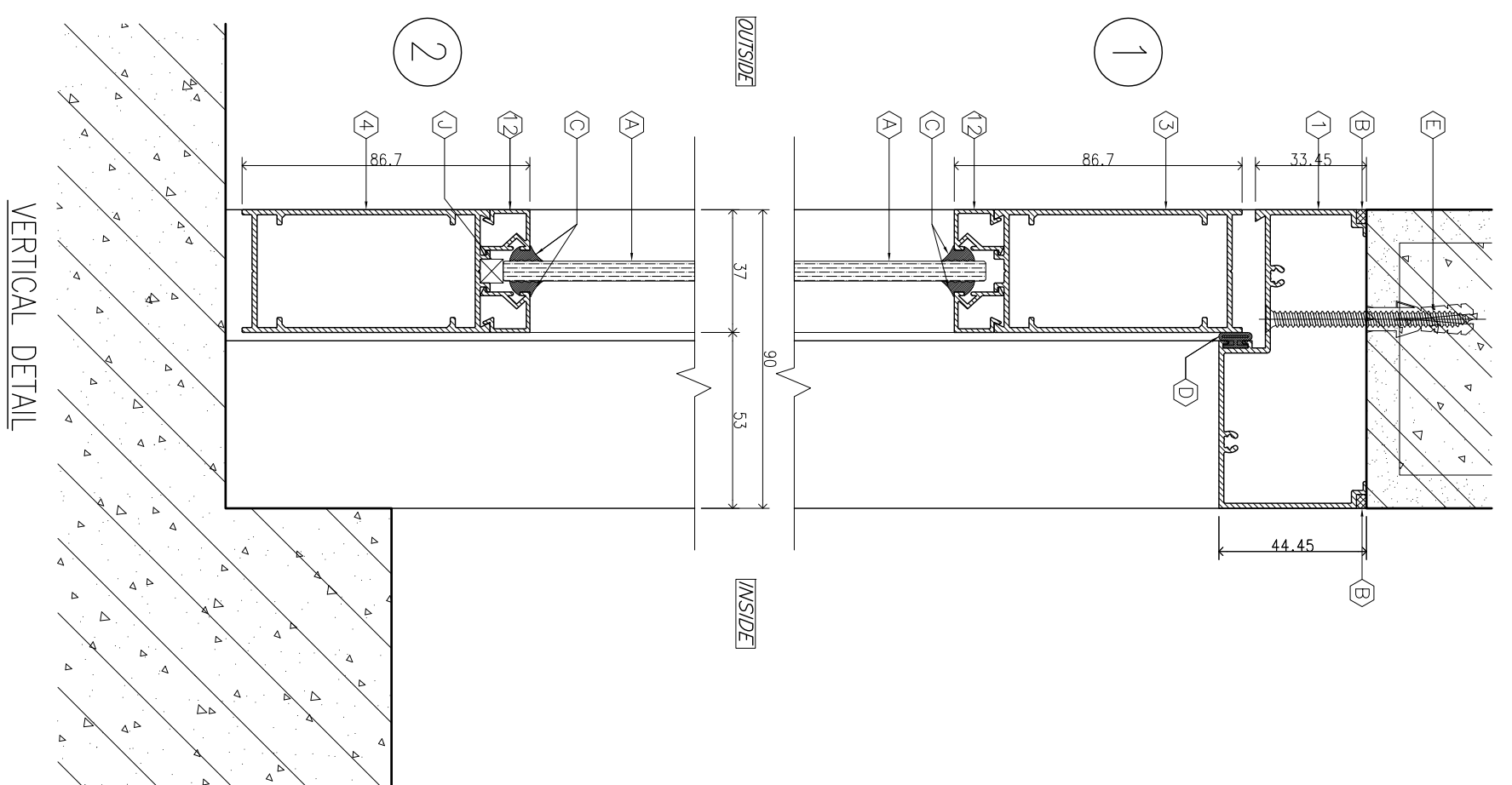
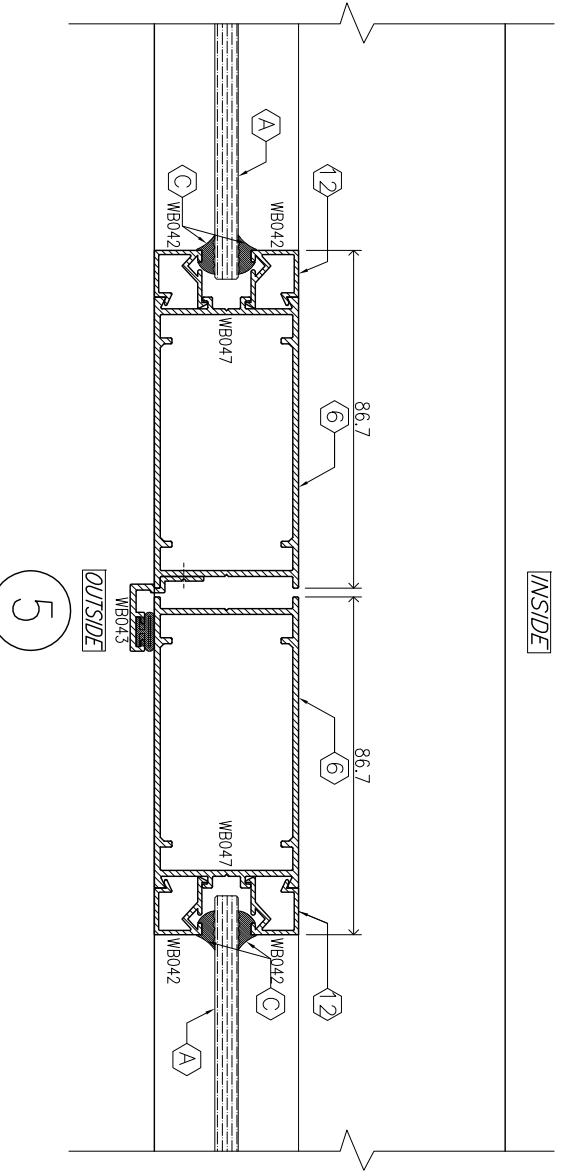
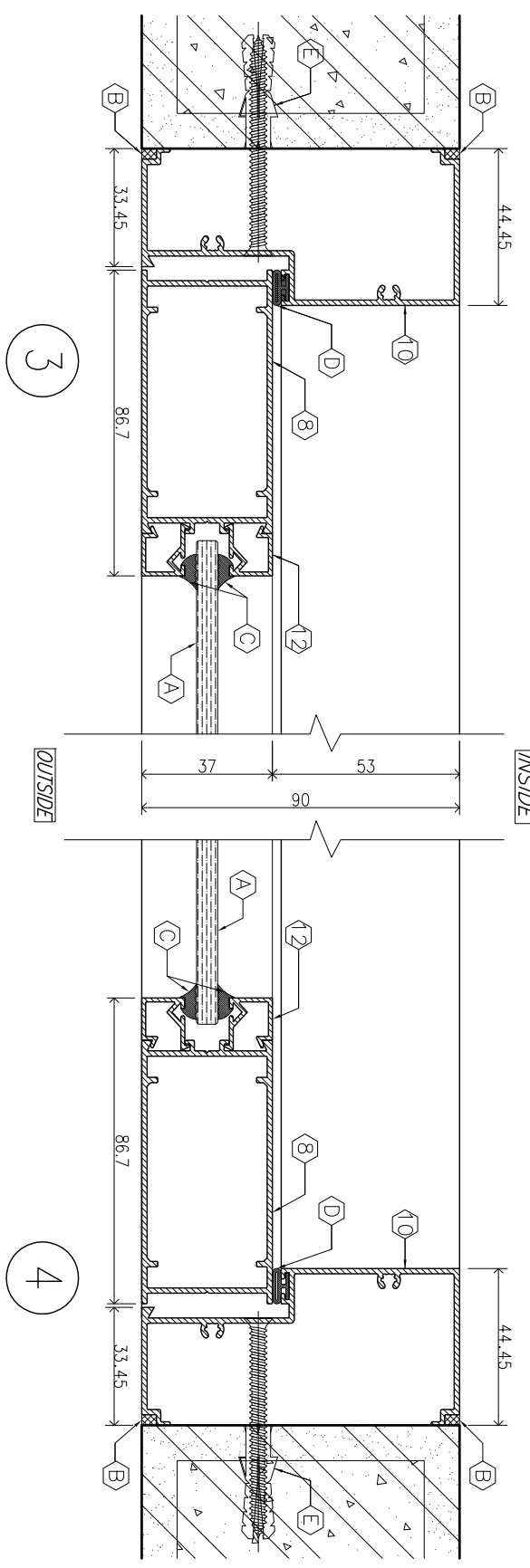
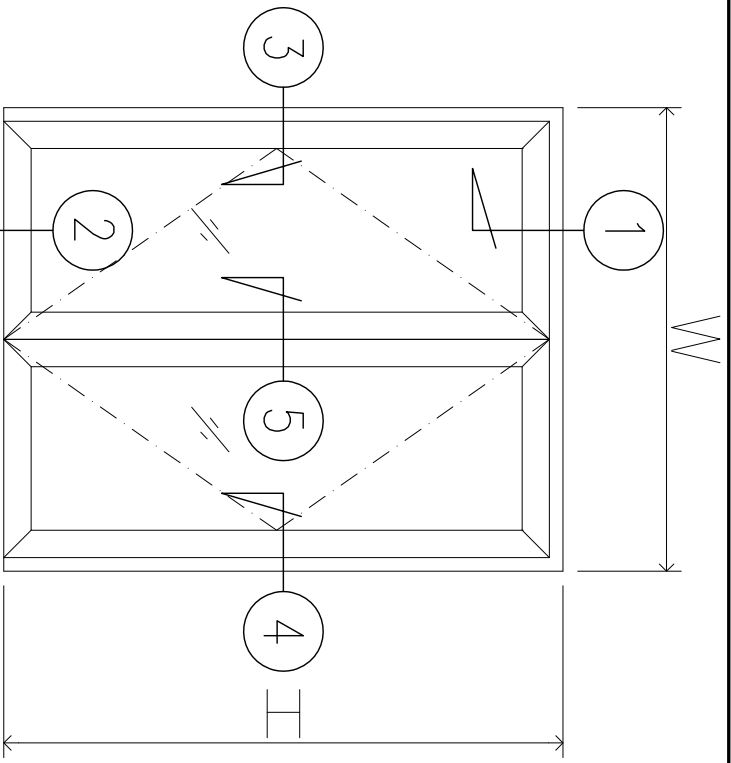
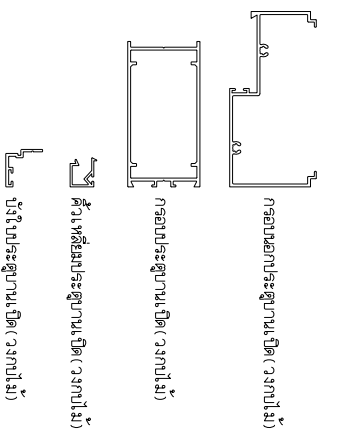
DRAWING TITLE
 DOOR & WINDOW
 TYPICAL STANDARD DETAIL

NO.	DATE	REVISION DESCRIPTION	APPROVED

DATE :
 DESIGN & DWN : MANIT SRISANGSUNG
 CHKD. BY :
 SCALE : 1 : (A3)
 APPROVED BY :
 DRAWING NO. : DO-3

ALUMINIUM EXTRUDED SECTION ALLOY 6063-T5	
1	HEAD SECTION
2	TRANSOM SECTION
3	TOPRAIL SECTION
4	BOTTOMRAIL SECTION
5	SILL SECTION
6	LOCKER STILE SECTION
7	INNER LOCKER STILE SECTION
8	STILE SECTION
9	MULLION SECTION
10	JAMB SECTION
11	SASH SECTION
12	BEAD SECTION

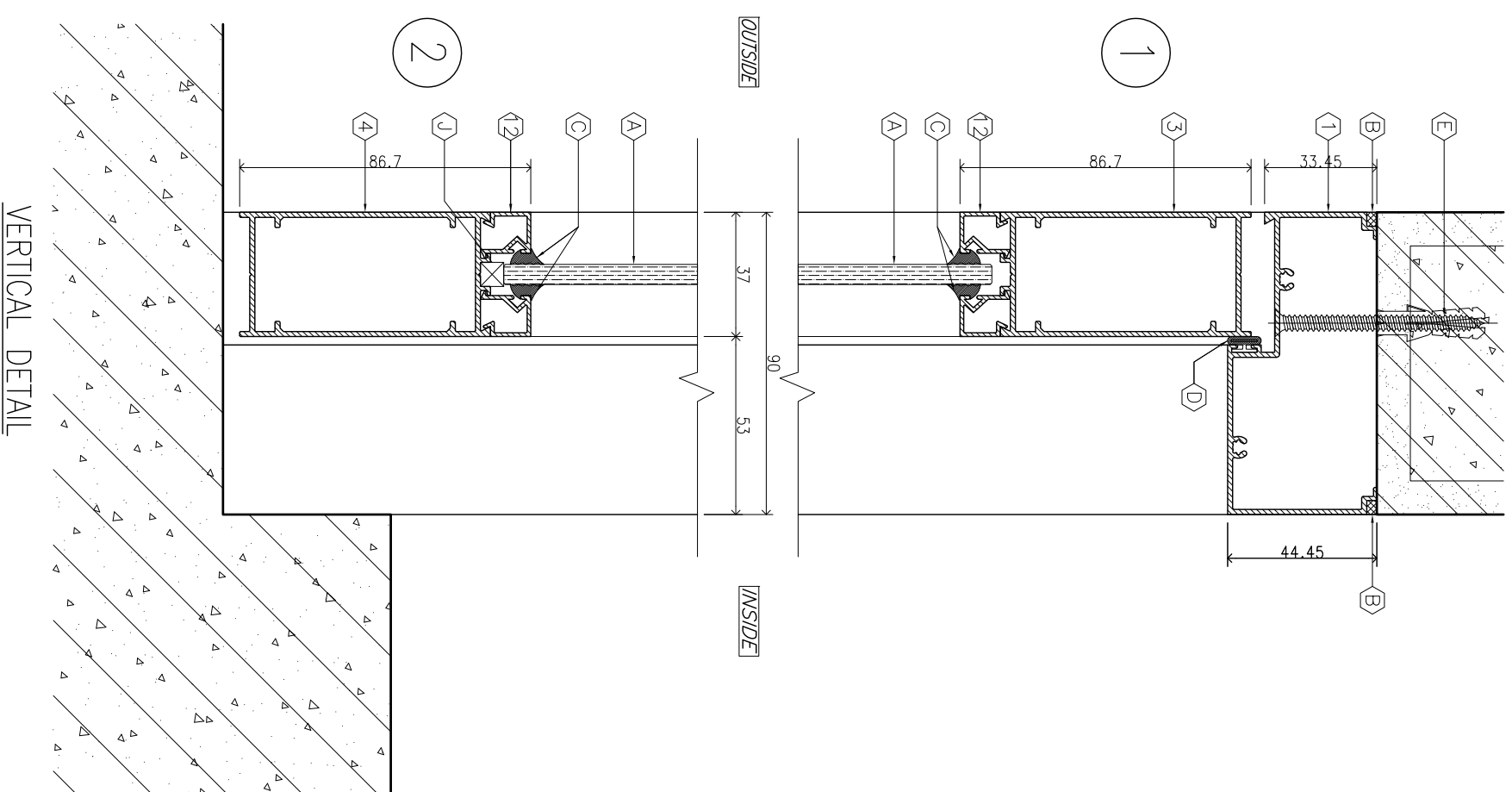
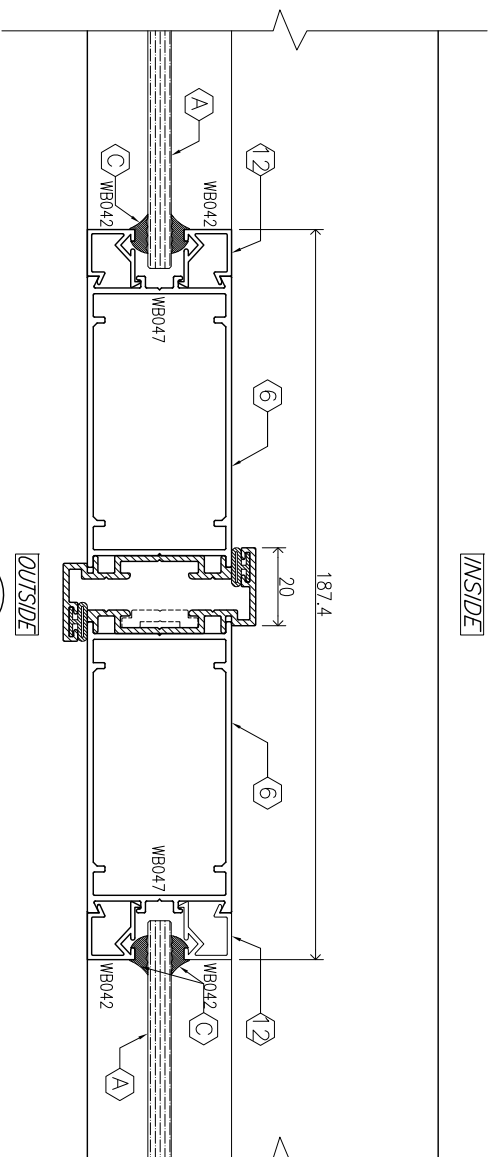
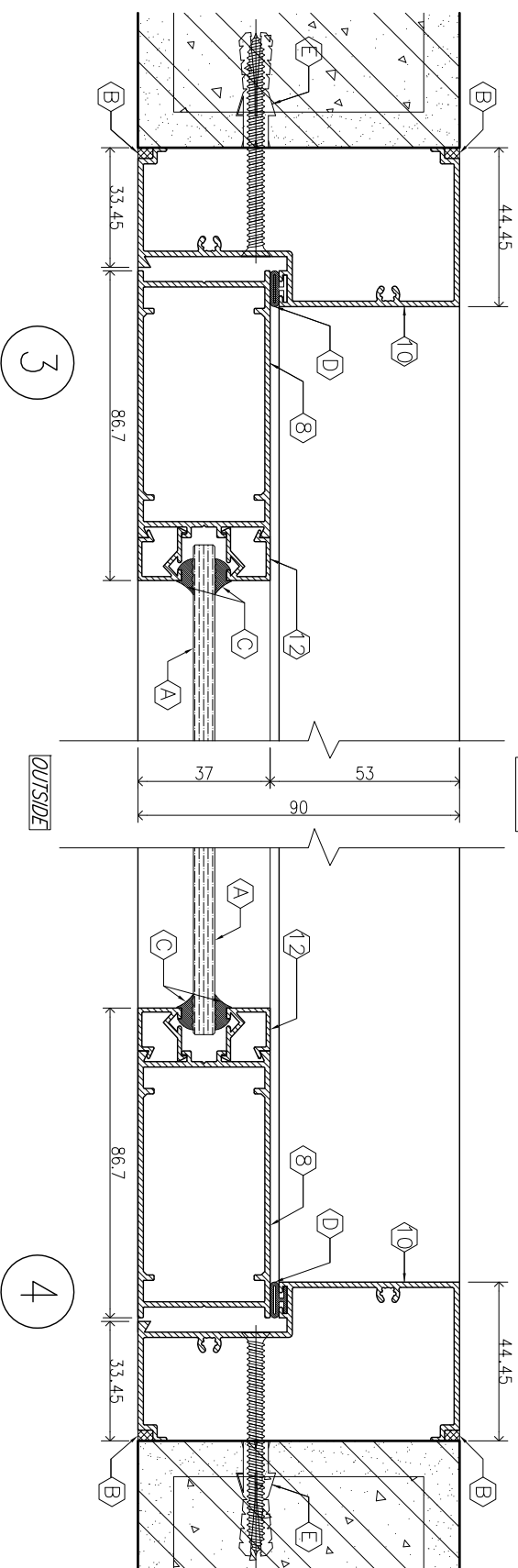
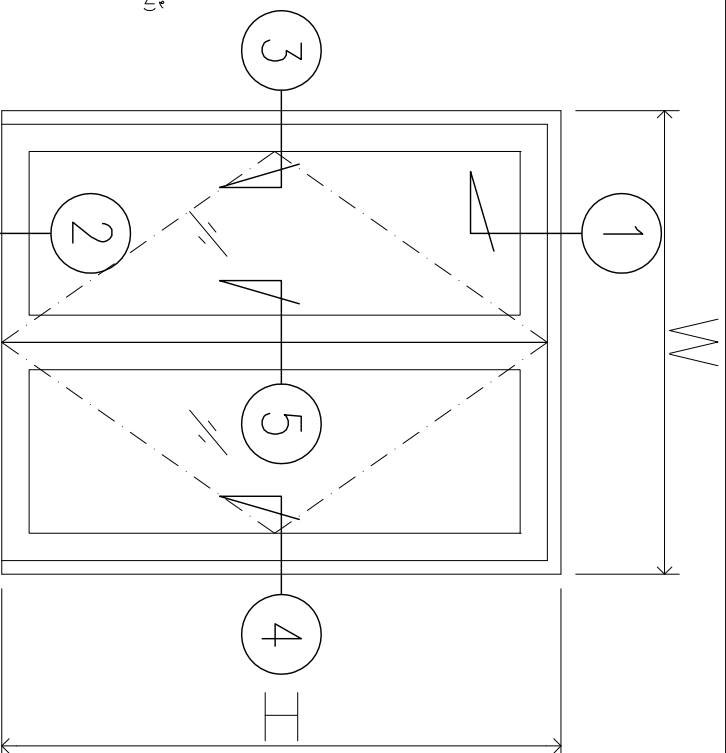
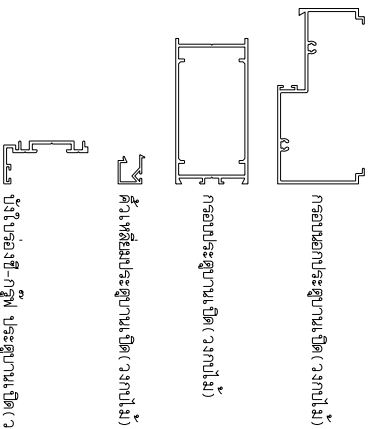
ACCESSORIES DOOR & WINDOW	
A	GLASS PANELS
B	SILICONE SEALANT
C	GLAZING GASKET
D	BUBBLE GASKET
E	SCREW & NYLON PLUG
F	WOOL PILE
G	ROLLER SLIDING
H	HANDLE LOCK
I	CAM LOCK
J	SETTING BLOCK
K	DOOR CLOSER
L	DOOR PIVOT



PROJECT : STANDARD PROJECT	OWNER :	ALUMINIUM CONTRACTOR :
LOCATION :	LOCATION :	
DRAWING TITLE DOOR & WINDOW TYPICAL STANDARD DETAIL		
NO.	DATE	REVISION
		DESCRIPTION
		APPROVED
		DATE :
		DESIGN & DWN : MANIT SRISANGSUNG ML.4193
		CHKD. BY :
		SCALE : 1 : (A3)
		APPROVED BY
		DRAWING NO. DO-4

ALUMINIUM EXTRUDED SECTION ALLOY 6063-T5	
1	HEAD SECTION
2	TRANSOM SECTION
3	TOPRAIL SECTION
4	BOTTOMRAIL SECTION
5	SILL SECTION
6	LOCKER STILE SECTION
7	INNER LOCKER STILE SECTION
8	STILE SECTION
9	MULLION SECTION
10	JAMB SECTION
11	SASH SECTION
12	BEAD SECTION

ACCESSORIES DOOR & WINDOW	
A	GLASS PANELS
B	SILICONE SEALANT
C	GLAZING GASKET
D	BUBBLE GASKET
E	SCREW & NYLON PLUG
F	WOOL PILE
G	ROLLER SLIDING
H	HANDLE LOCK
I	CAM LOCK
J	SETTING BLOCK
K	DOOR CLOSER
L	DOOR PIVOT



PROJECT :
STANDARD PROJECT

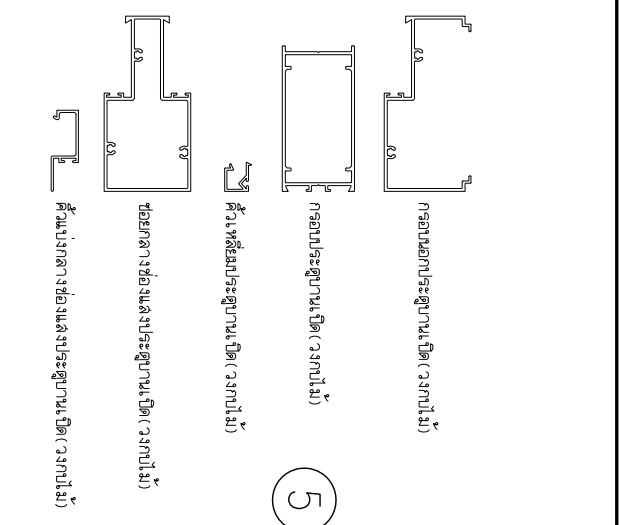
OWNER :
LOCATION :

ALUMINIUM CONTRACTOR :
ORM
ALUMINIUM ORN (THAILAND) CO.,LTD.
27/28 Moo 11, Bangna-Boonrat Road,
Bang Na District, Bangkok 10700
Tel. : 096-755-8363, 093-755-8364

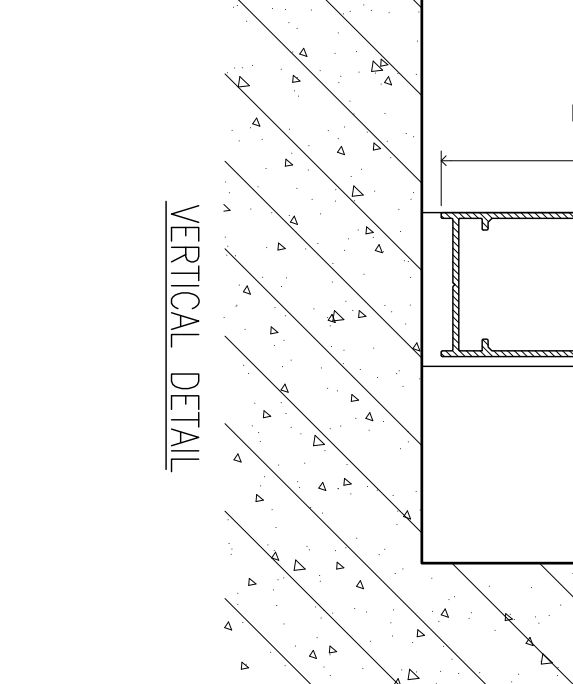
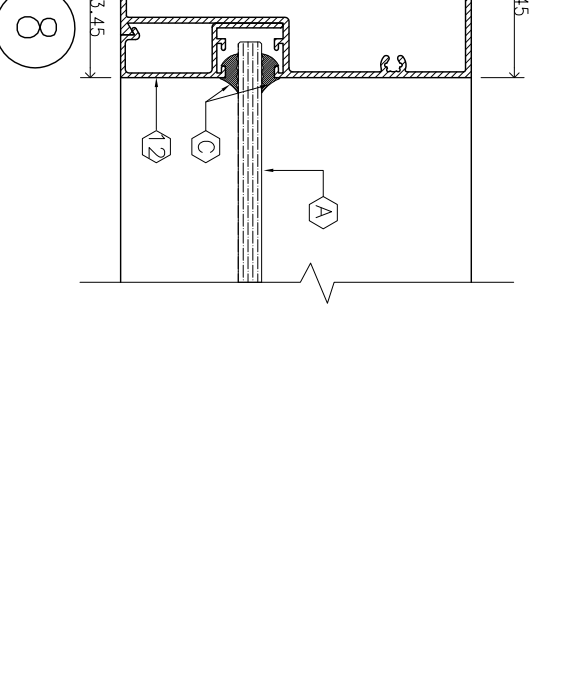
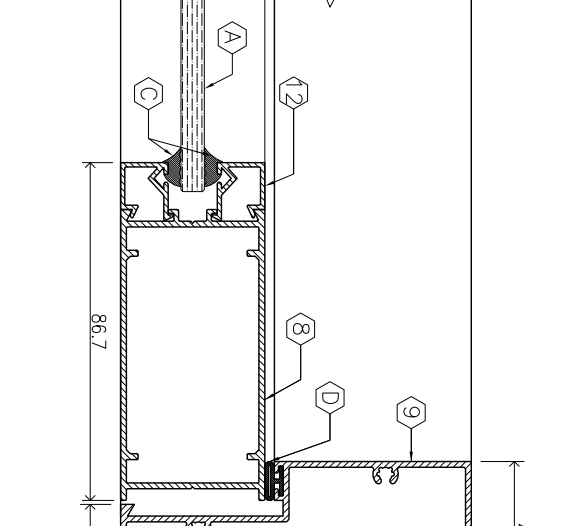
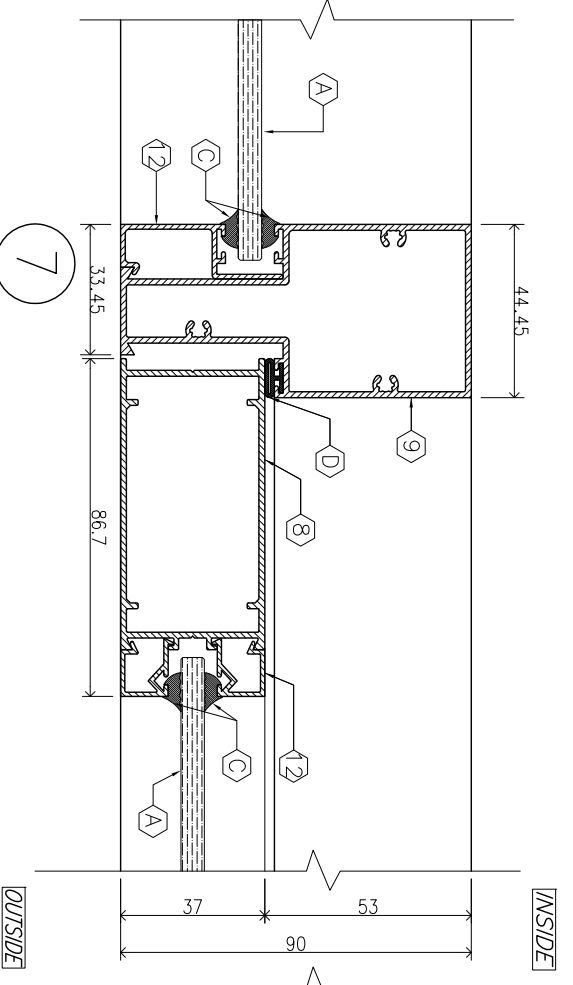
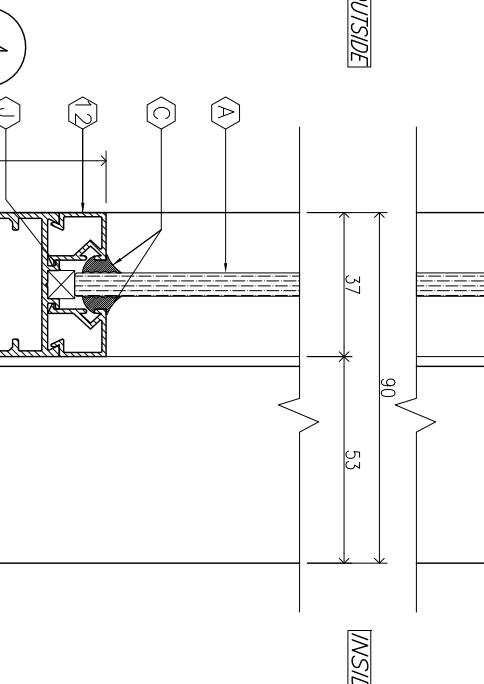
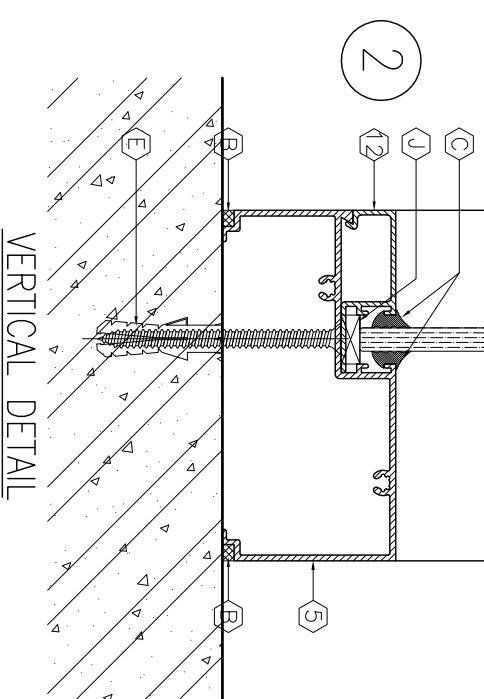
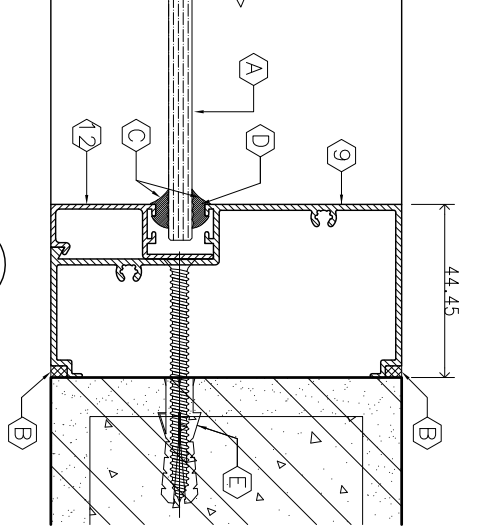
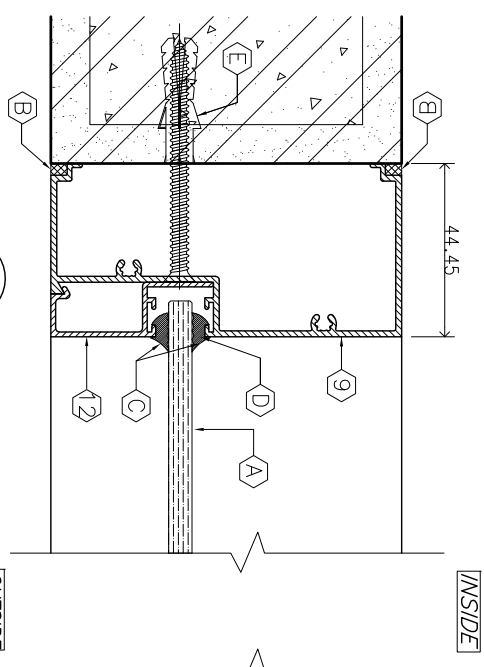
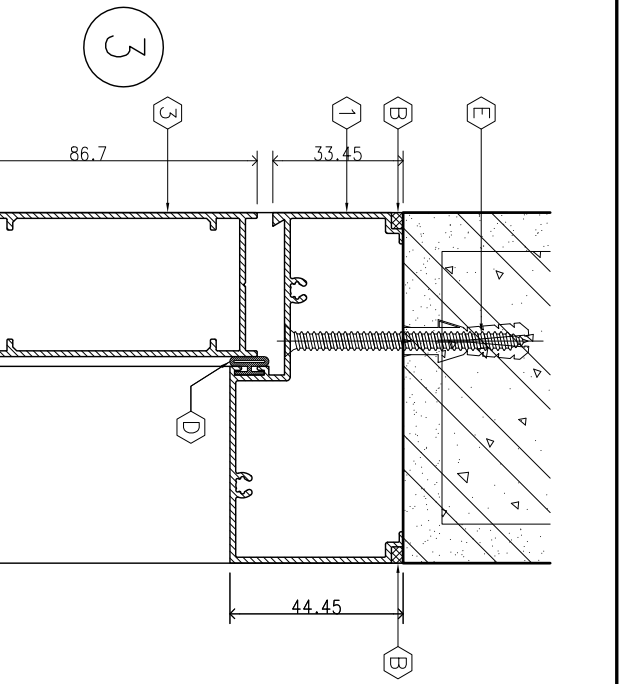
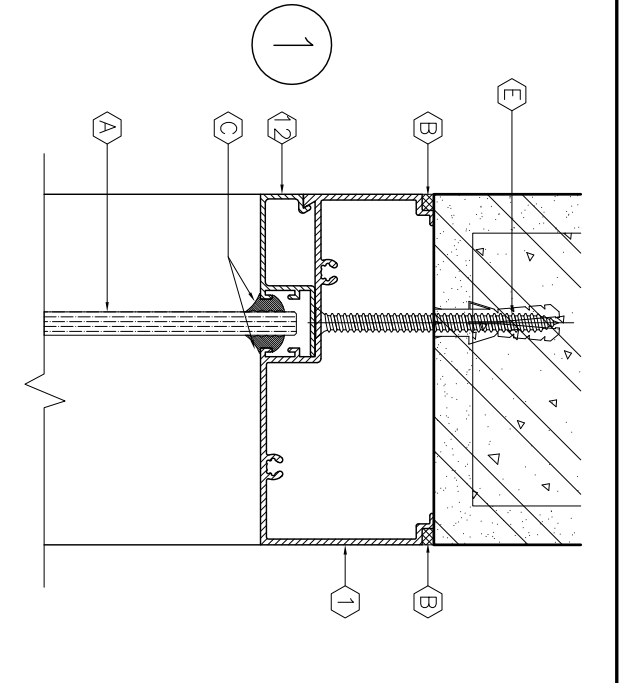
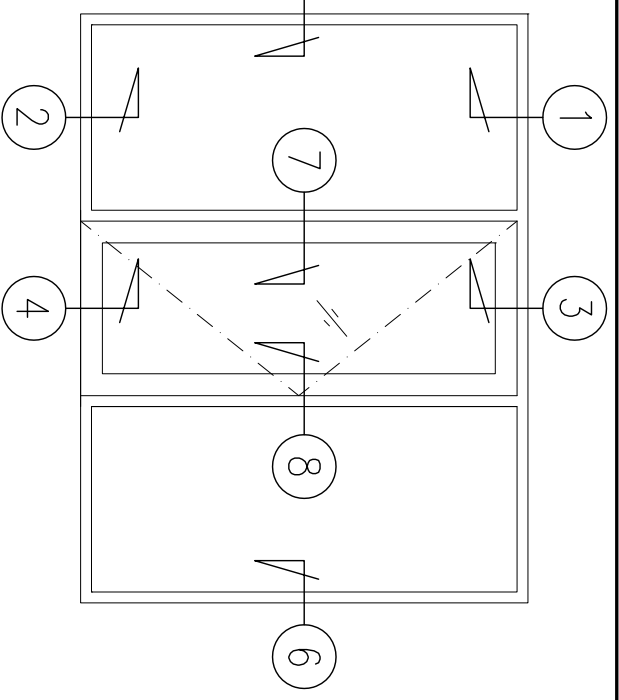
DRAWING TITLE
**DOOR & WINDOW
TYPICAL STANDARD DETAIL**

REVISION			DATE :	APPROVED BY
NO.	DATE	DESCRIPTION	DESIGN & DWN : MANIT SRISANGSUNG ML.4193	DRAWING NO. DO-5
			CHKD. BY :	
			SCALE : 1 : (A3)	

SYMBOL	ALUMINIUM EXTRUDED SECTION
ALLOY	6063-T5
1	HEAD SECTION
2	TRANSOM SECTION
3	TOPRAIL SECTION
4	BOTTOMRAIL SECTION
5	SILL SECTION
6	LOCKER STILE SECTION
7	INTER LOCKER STILE SECTION
8	STILE SECTION
9	MULLION SECTION
10	JAMB SECTION
11	SASH SECTION
12	BEAD SECTION
ACCESSORIES	
DOOR & WINDOW	
A	GLASS PANELS
B	SILICONE SEALANT
C	GLAZING GASKET
D	BUBBLE GASKET
E	SCREW & NYLON PLUG
F	WOOL PILE
G	ROLLER SLIDING
H	HANDLE LOCK
I	CAM LOCK
J	SETTING BLOCK
K	DOOR CLOSER
L	DOOR PIVOT



TYPICAL SWING DOOR & FIXED ELEVATION



HORIZONTAL DETAIL

VERTICAL DETAIL

PROJECT : STANDARD PROJECT
 OWNER :
 LOCATION :
 ALUMINIUM CONTRACTOR :
ORM
 ALUMINIUM (THAILAND) CO., LTD.
 27/28 Moo 11, Bangna-Boonrut Road, Bangna District, Bangkok 10700, Thailand
 Tel. : 096-765-8863, 097-765-8864
 DRAWING TITLE : DOOR & WINDOW TYPICAL STANDARD DETAIL
 REVISION :
 NO. DATE DESCRIPTION APPROVED
 DATE :
 DESIGN & DWN : MANIT SRISANGSUNG ML.4193
 CHKD. BY :
 SCALE : 1 : (A3)
 APPROVED BY :
 DRAWING NO. : DO-6