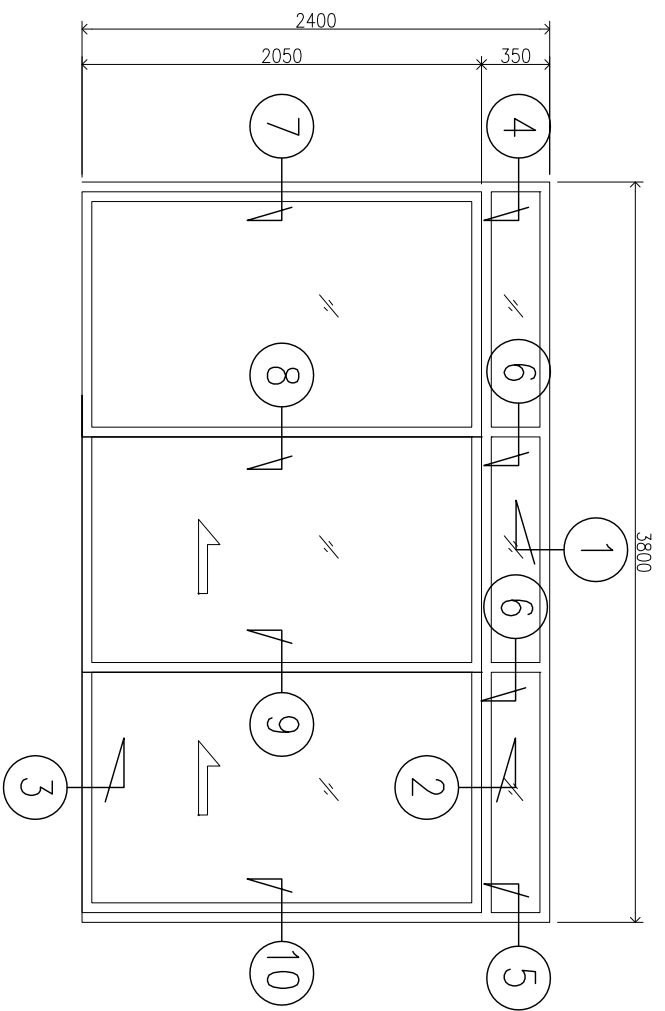
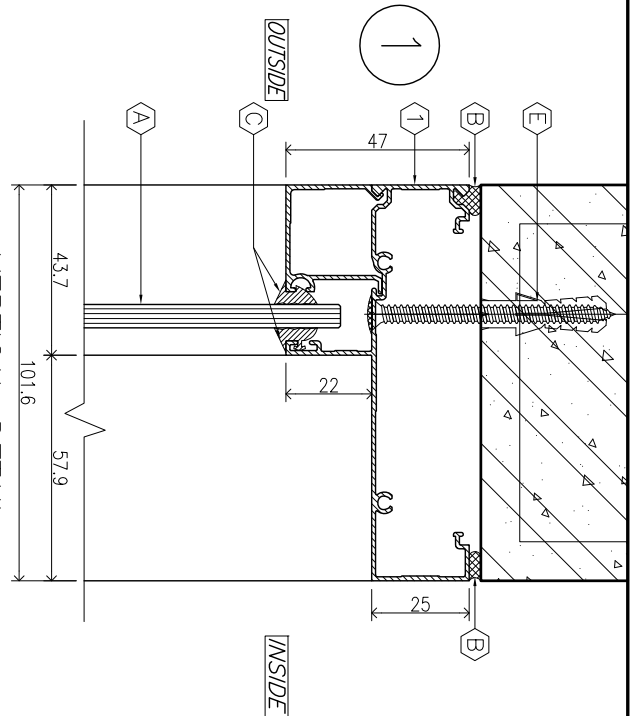


। ६-। ७। . ७। ७। . ३७। ७।

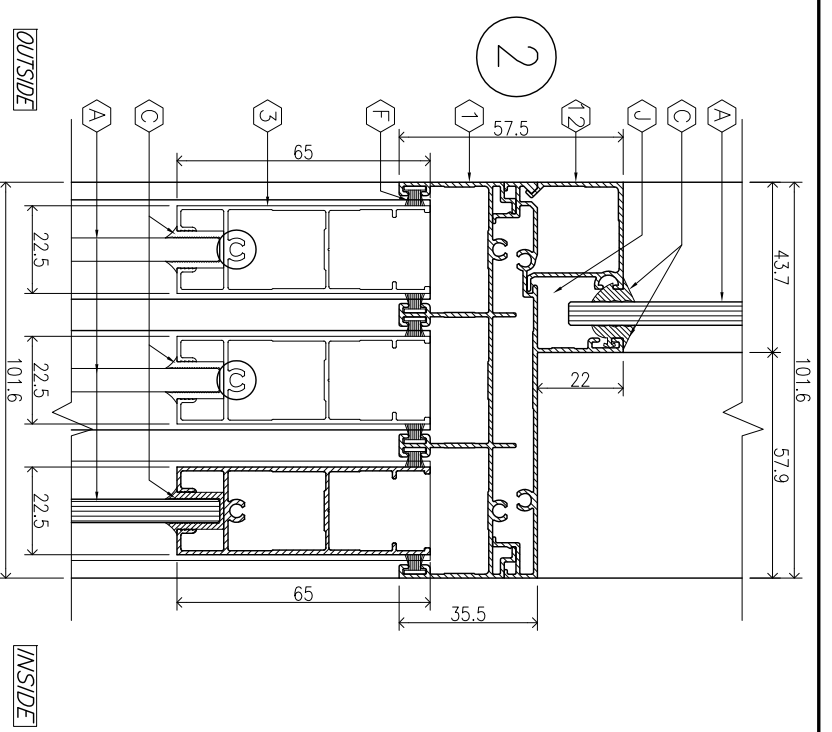


SLIDING DOOR ELEVATION

D1



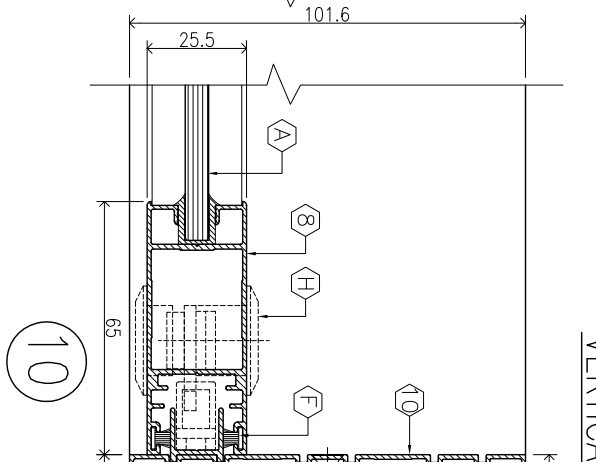
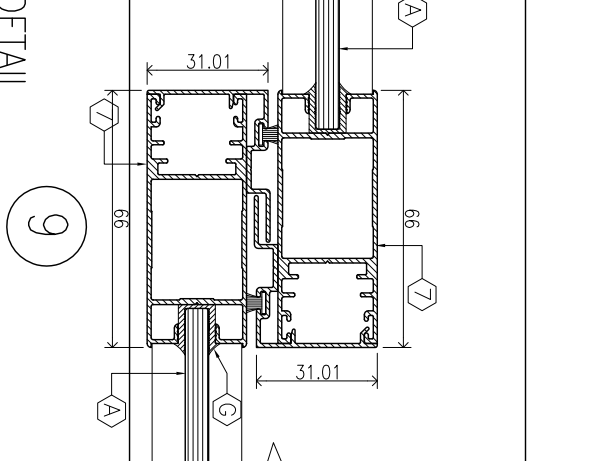
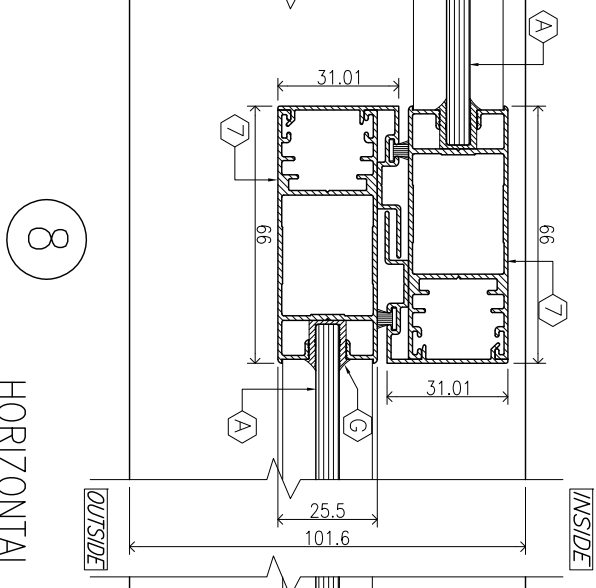
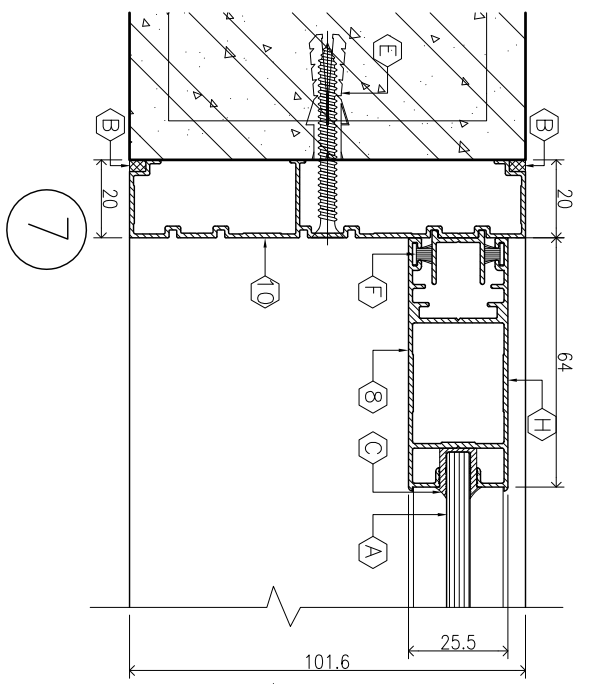
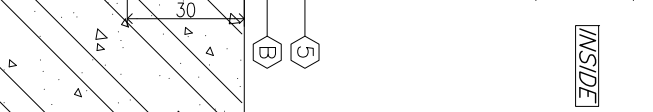
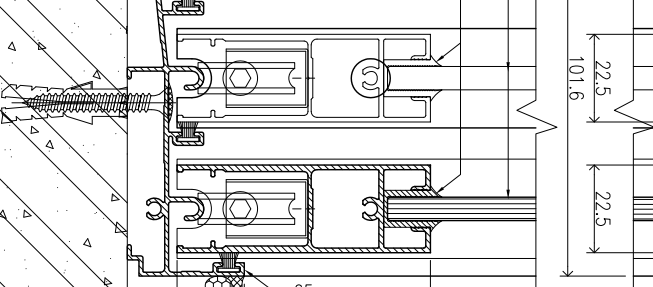
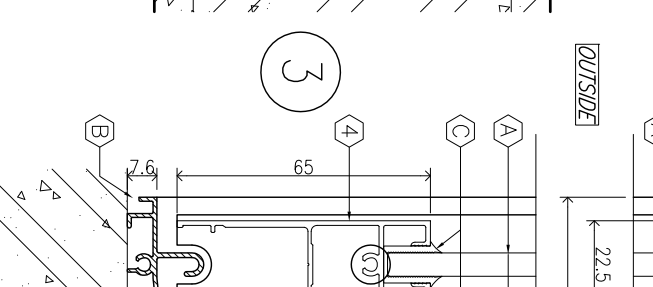
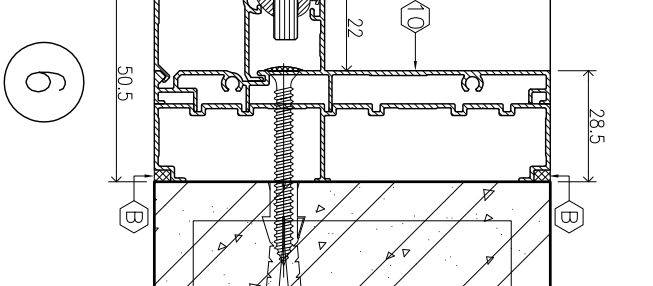
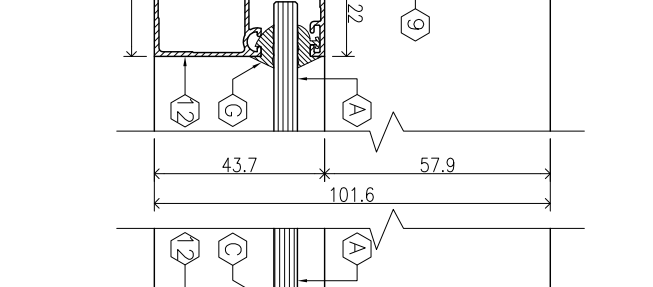
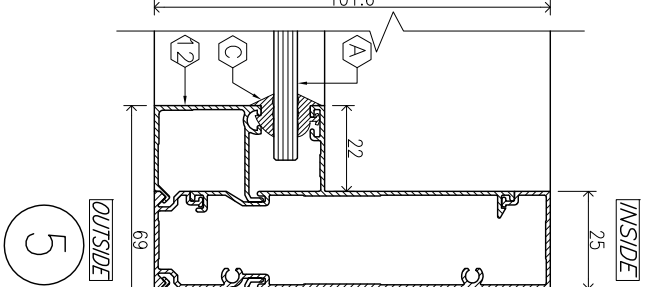
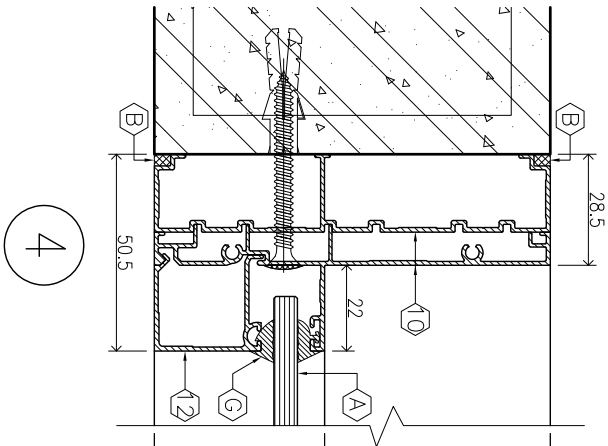
VERTICAL DETAIL



VERTICAL DETAIL

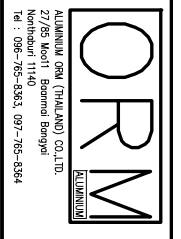
SYMBOL	ALUMINIUM EXTRUDED SECTION ALLOY 6063-T5
1	HEAD SECTION
2	TRANSOM SECTION
3	TOPRAIL SECTION
4	BOTTOMRAIL SECTION
5	SILL SECTION
6	LOCKER STILE SECTION
7	INNER LOCKER STILE SECTION
8	STILE SECTION
9	MULLION SECTION
10	JAMB SECTION
11	SASH SECTION
12	BEAD SECTION

SYMBOL	ACCESSORIES DOOR & WINDOW
A	GLASS PANELS
B	SILICONE SEALANT
C	GLAZING GASKET
D	BUBBLE GASKET
E	SCREW & NYLON PLUG
F	WOOL PILE
G	ROLLER SLIDING
H	HANDLE LOCK
I	CAM LOCK
J	SETTING BLOCK

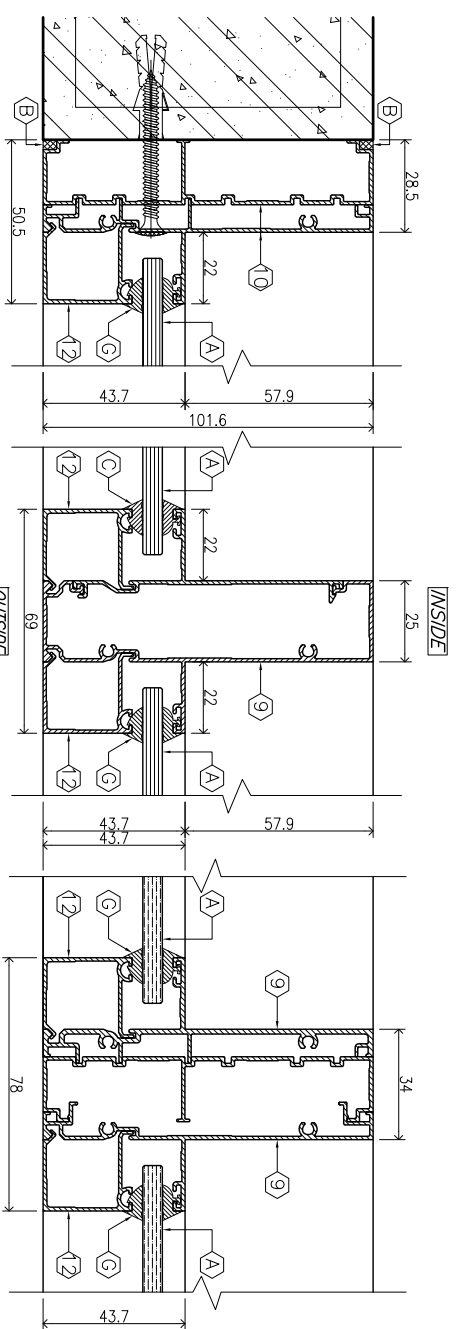
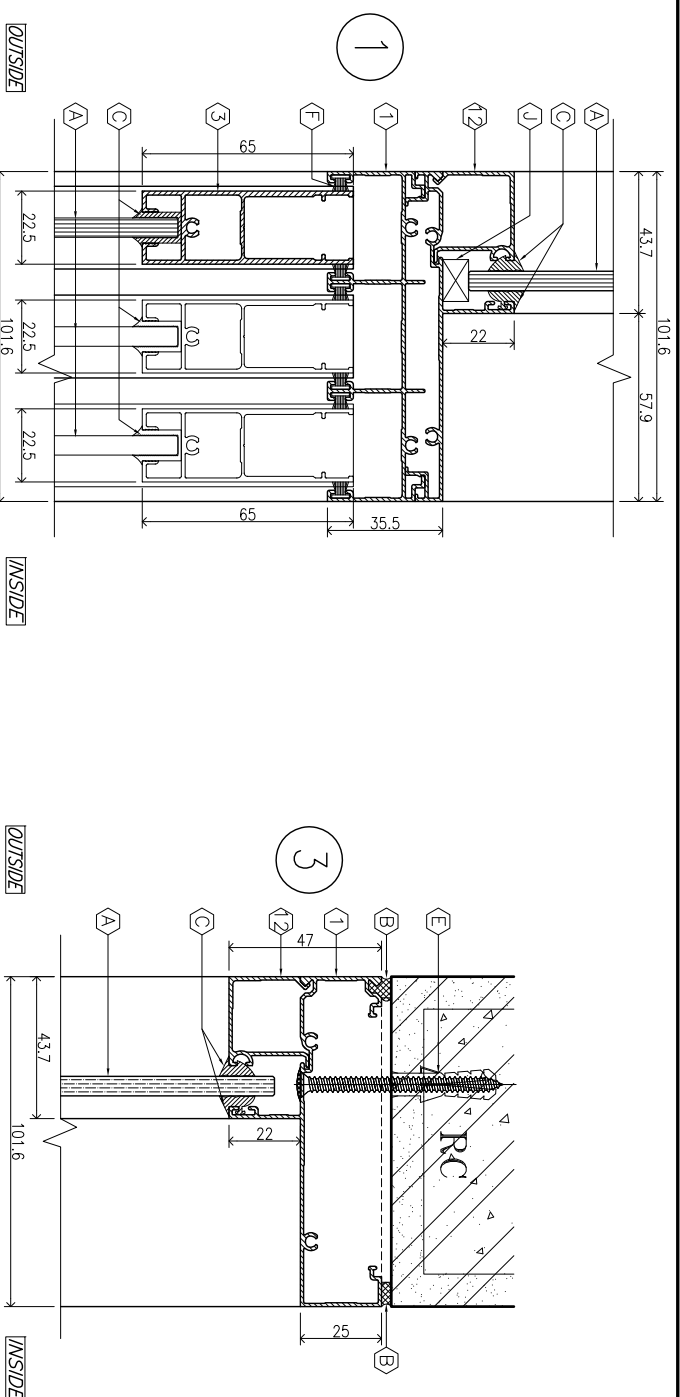
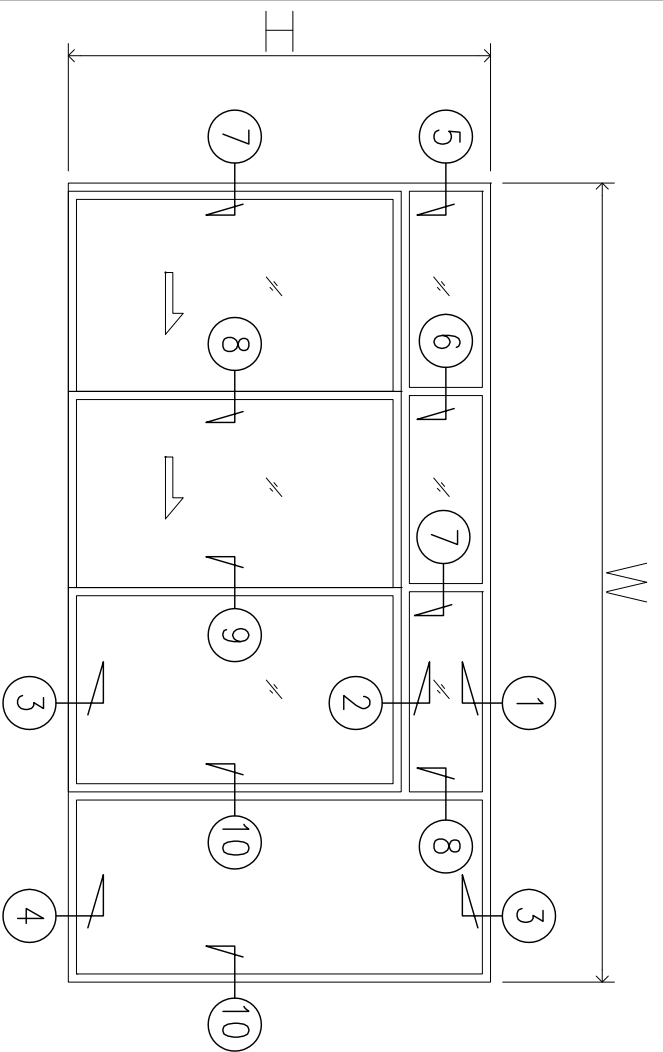


HORIZONTAL DETAIL

PROJECT :	OWNER :	ALUMINIUM CONTRACTOR :	DRAWING TITLE
LOCATION :			DOOR & WINDOW TYPICAL STANDARD DETAIL
			REVISION
			NO. DATE DESCRIPTION APPROVED
			DATE : DESIGN & DWN : MANIT SRISANGSUNG ML.4193
			CHKD. BY : SCALE : 1 : 2 (A3)
			APPROVED BY
			DRAWING NO. D1-OUT



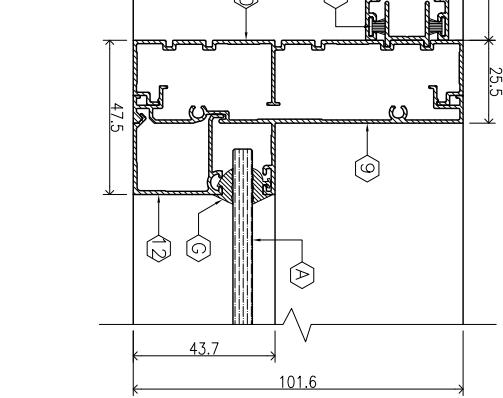
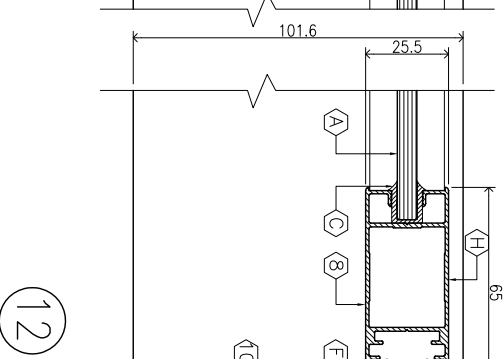
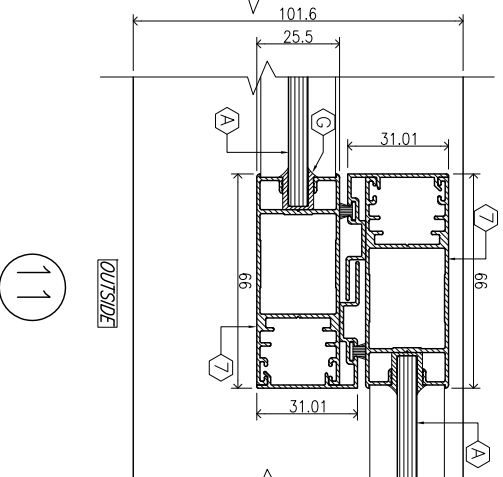
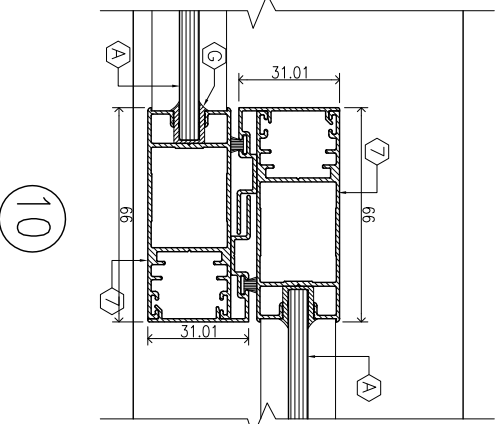
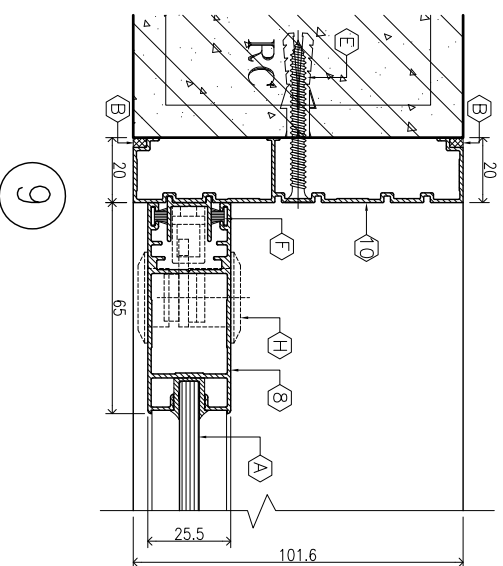
ALUMINIUM ORA (THAILAND) CO.,LTD.
27/28 Moo 11, Rama 9 Road
Klongkum, Bangkok 10110
Tel. : 09-755-8863, 097-755-8884



VERTICAL DETAIL

HORIZONTAL DETAIL

SYMBOL	ALUMINIUM EXTRUDED SECTION ALLOY 6063-T5
1	HEAD SECTION
2	TRANSOM SECTION
3	TOPRAIL SECTION
4	BOTTOMRAIL SECTION
5	SILL SECTION
6	LOCKER STILE SECTION
7	INNER LOCKER STILE SECTION
8	STILE SECTION
9	JAMB SECTION
10	SASH SECTION
12	BEAD SECTION
ACCESSORIES DOOR & WINDOW	
A	GLASS PANELS
B	SILICONE SEALANT
C	GLAZING GASKET
D	BUBBLE GASKET
E	SCREW & NYLON PLUG
F	WOOL FLEE
G	ROLLER SLIDING
H	HANDLE LOCK
I	CAM LOCK
J	SETTING BLOCK



HORIZONTAL DETAIL

PROJECT : _____ OWNER : _____ ALUMINIUM CONTRACTOR : _____

ALUMINIUM CON (THAILAND) CO.,LTD.
27/28 Moo 11, Bangma Express
Bangma Express Road, Bangma Express
Tel. : 09-755-8363, 097-755-8364

DRAWING TITLE : DOOR & WINDOW TYPICAL STANDARD DETAIL

NO.	DATE	REVISION DESCRIPTION	APPROVED

DATE : _____ DESIGN & DWN : MAINT SRISANGSUNG TEL. 4193

CHKD. BY : _____ SCALE : 1 : (A3)

APPROVED BY : _____ DRAWING NO. : D2-OUT