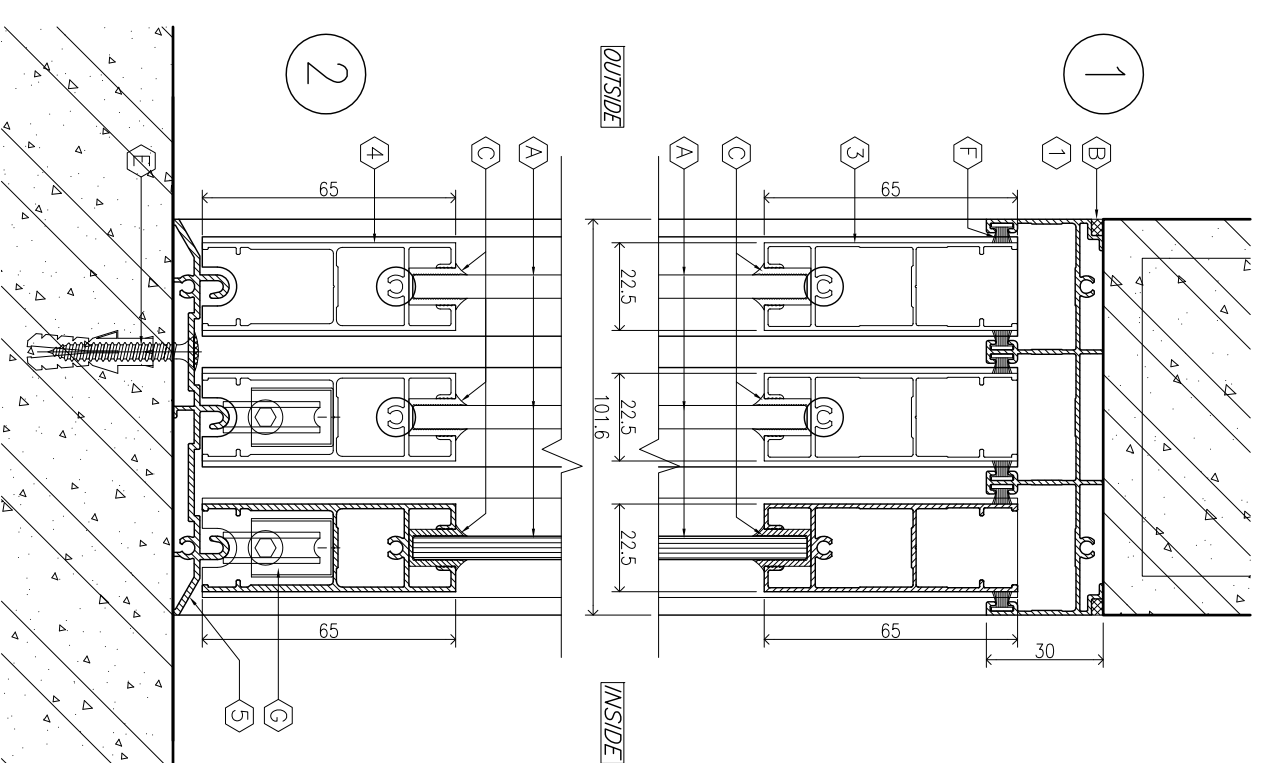
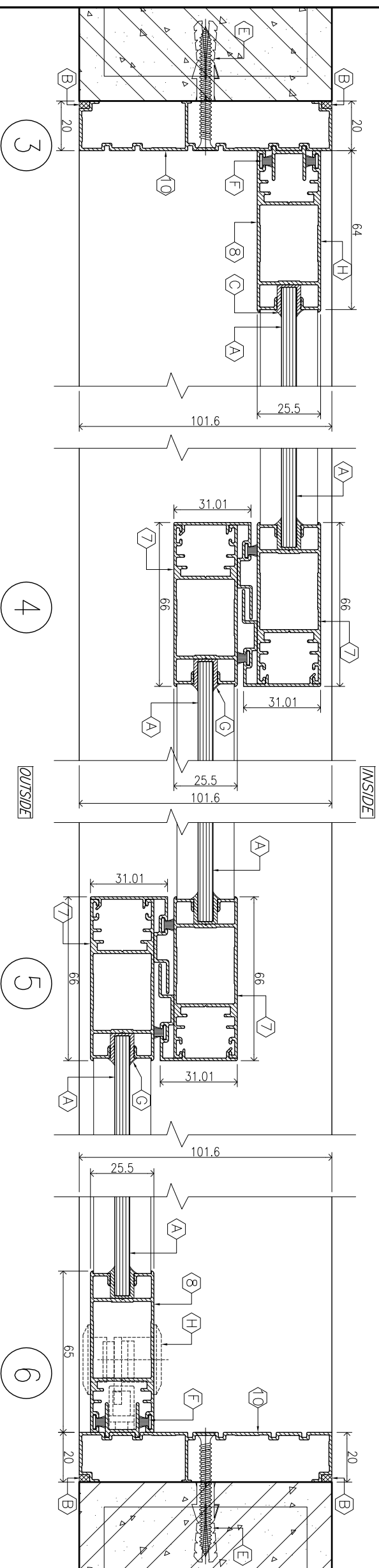
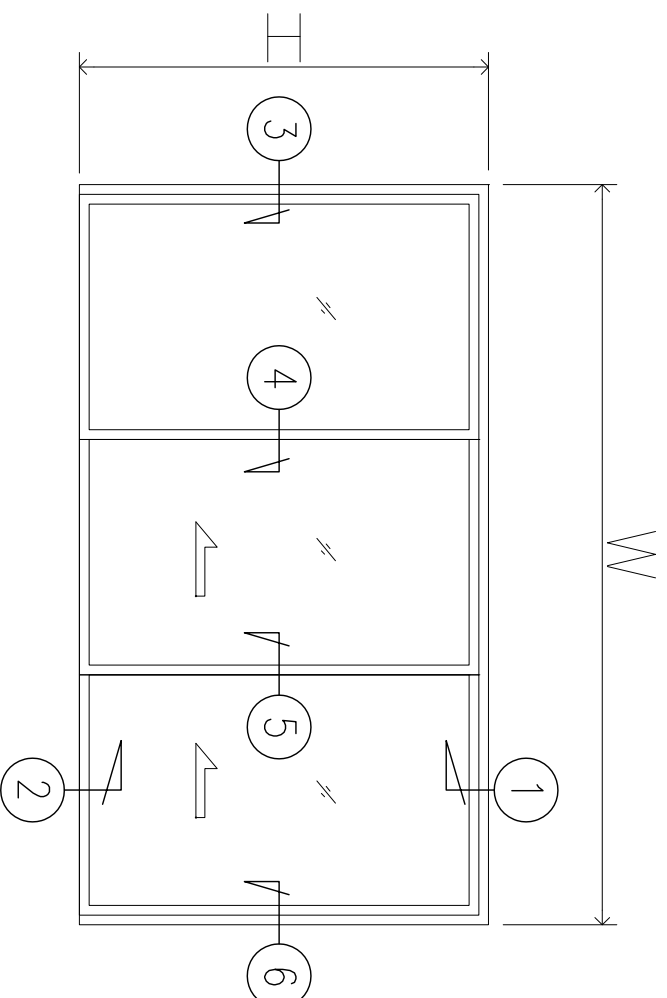


। ७ - पृ० : पृ० : ३९१ गंगाधर

ALUMINIUM EXTRUDED SECTION ALLOY 6063-T5	
1	HEAD SECTION
2	TRANSOM SECTION
3	TOPRAIL SECTION
4	BOTTOMRAIL SECTION
5	SILL SECTION
6	LOCKER STILE SECTION
7	INNER LOCKER STILE SECTION
8	MULLION SECTION
9	JAMB SECTION
10	SASH SECTION
11	BEAD SECTION

ACCESSORIES DOOR & WINDOW	
A	GLASS PANELS
B	SILICONE SEALANT
C	GLAZING GASKET
D	BUBBLE GASKET
E	SCREW & NYLON PLUG
F	WOOL PILE
G	ROLLER SLIDING
H	HANDLE LOCK
I	CAM LOCK
J	SETTING BLOCK



PROJECT :	OWNER :	ALUMINIUM CONTRACTOR :																	
LOCATION :			DOOR & WINDOW TYPICAL STANDARD DETAIL																
DRAWING TITLE		REVISION																	
		<table border="1" style="width: 100%; border-collapse: collapse;"> <thead> <tr> <th>NO.</th> <th>DATE</th> <th>DESCRIPTION</th> <th>APPROVED</th> </tr> </thead> <tbody> <tr><td> </td><td> </td><td> </td><td> </td></tr> <tr><td> </td><td> </td><td> </td><td> </td></tr> <tr><td> </td><td> </td><td> </td><td> </td></tr> </tbody> </table>		NO.	DATE	DESCRIPTION	APPROVED												
NO.	DATE	DESCRIPTION	APPROVED																
DATE :		APPROVED BY :																	
DESIGN & DWN : MANIT SRISANGSUNG ML.4193		DRAWING NO. : D1-IN																	
CHKD. BY :		SCALE : 1 : 2 (A3)																	

