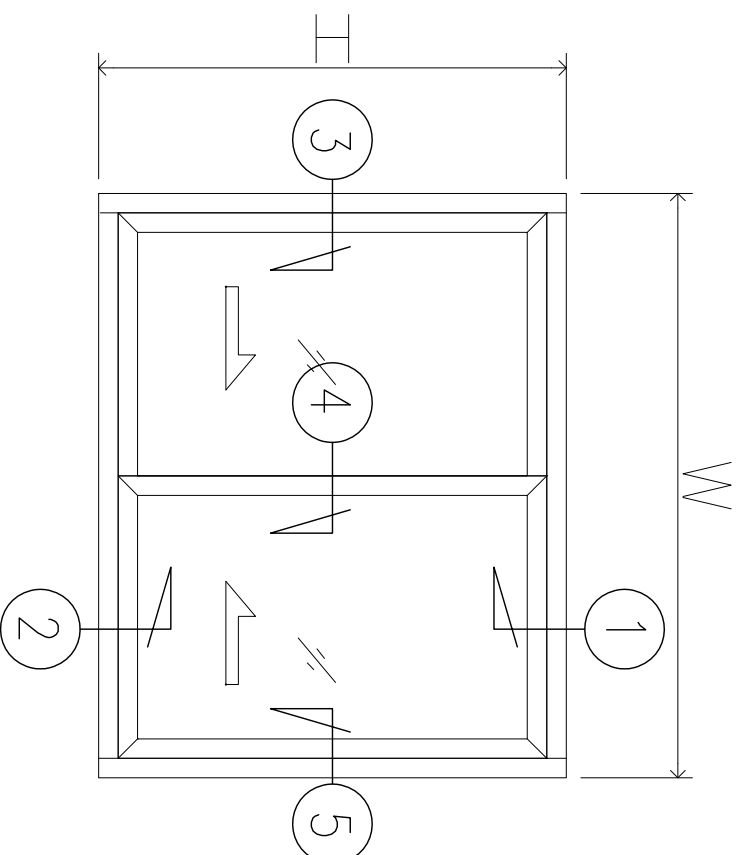


๑๘ - ปริญญาตรี - วิทยาศาสตร์การแพทย์ / ปริญญาตรี
การแพทย์ / ปริญญาตรี - วิทยาศาสตร์การแพทย์ /

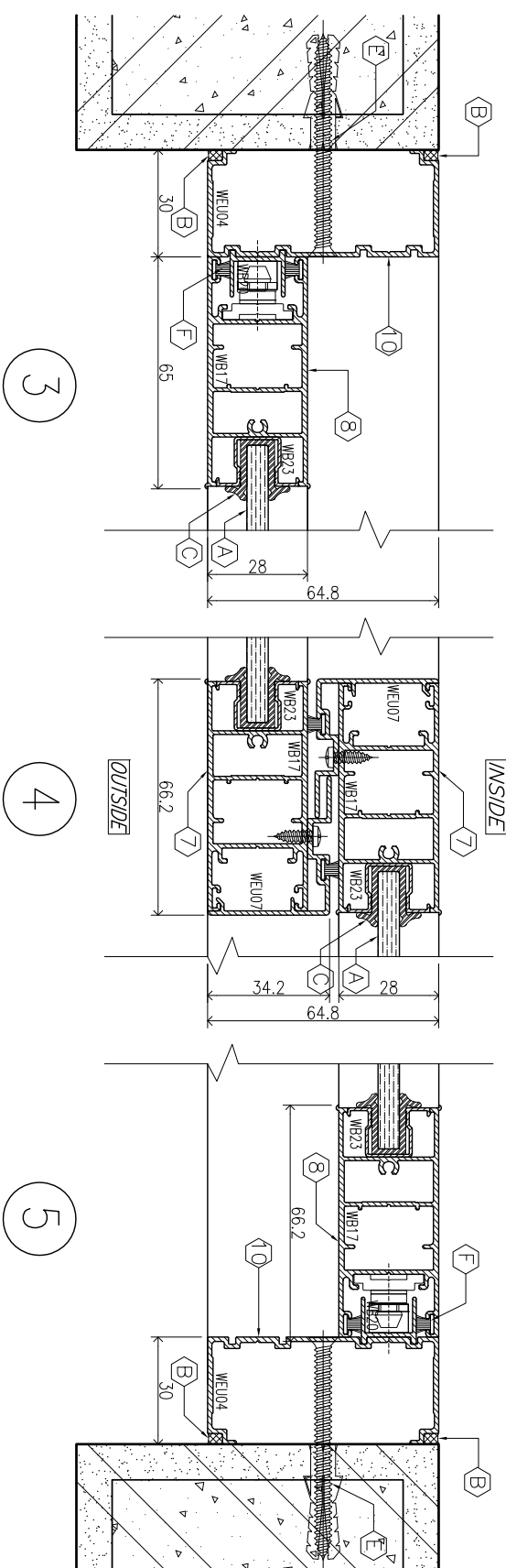
การแพทย์ / ปริญญาตรี - วิทยาศาสตร์การแพทย์ /

SYMBOL	DESCRIPTION
①	ALUMINIUM EXTRUDED SECTION ALLOY 6063-T5
②	HEAD SECTION
③	TRANSOM SECTION
④	TOPRAIL SECTION
⑤	BOTTOMRAIL SECTION
⑥	SILL SECTION
⑦	LOCKER STILE SECTION
⑧	INNER LOCKER STILE SECTION
⑨	MULLION SECTION
⑩	JAMB SECTION
⑪	SASH SECTION
⑫	BEAD SECTION

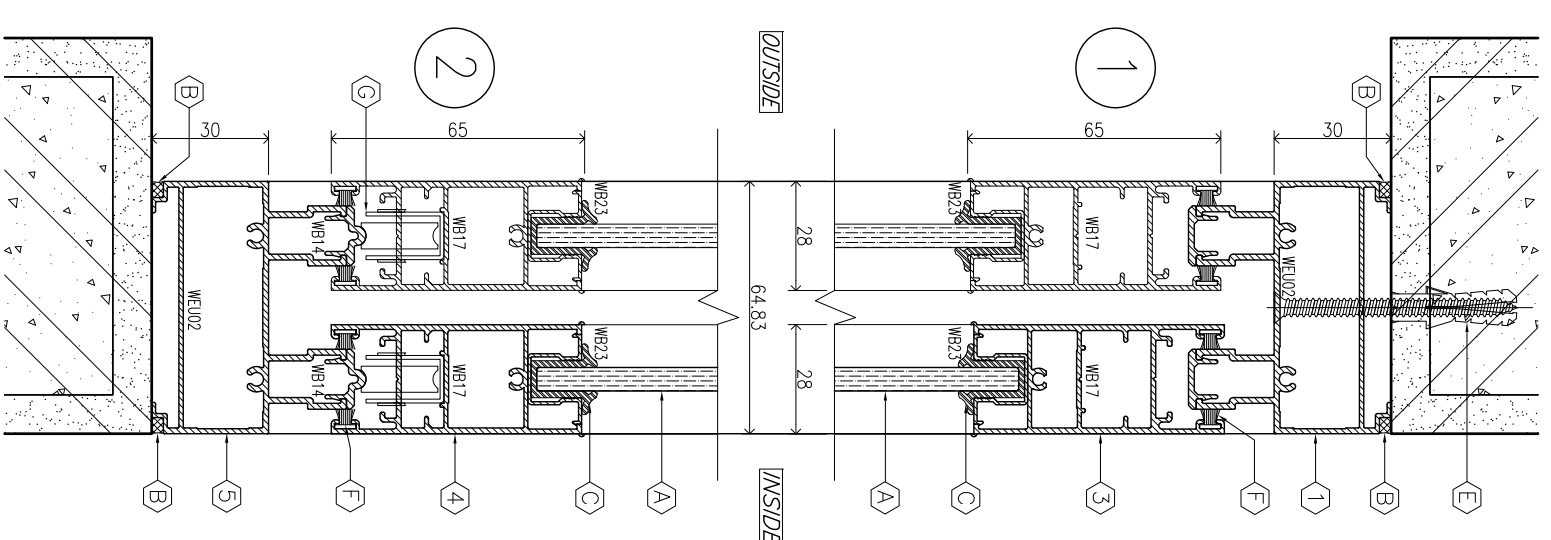
SYMBOL	DESCRIPTION
A	GLASS PANELS
B	SILICONE SEALANT
C	GLAZING GASKET
D	BUBBLE GASKET
E	SCREW & NYLON PLUG
F	WOOL PILE
G	ROLLER SLIDING
H	HANDLE LOCK
I	CAM LOCK
J	SETTING BLOCK



บานเลื่อนสลับคู่



HORIZONTAL DETAIL



VERTICAL DETAIL

PROJECT : STANDARD PROJECT
 LOCATION :

OWNER :

ALUMINIUM CONTRACTOR :
ORM
 ALUMINIUM CO. (THAILAND) CO., LTD.
 27/28 Moo 11, Bangna-Boonrat Road, Bang Na District, Bangkok 10700, Thailand
 Tel. : 096-755-8863, 093-765-8884

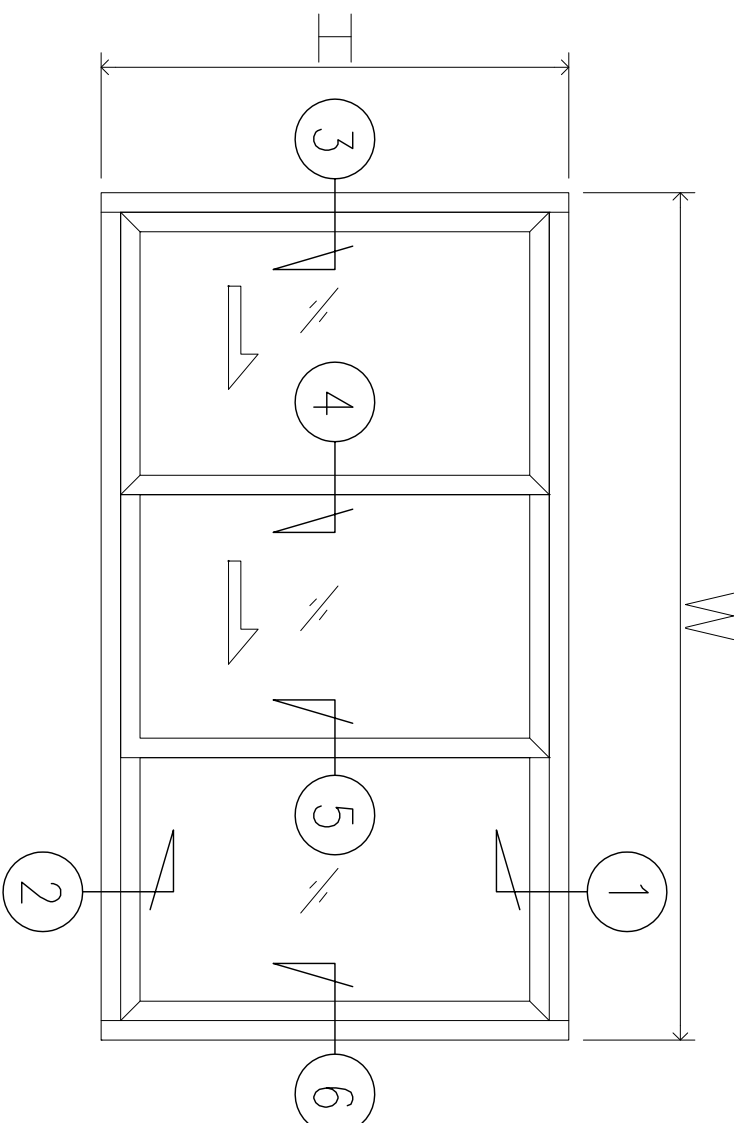
DRAWING TITLE
 DOOR & WINDOW
 TYPICAL STANDARD DETAIL

NO.	DATE	REVISION		APPROVED	DATE	APPROVED BY
		DESCRIPTION				

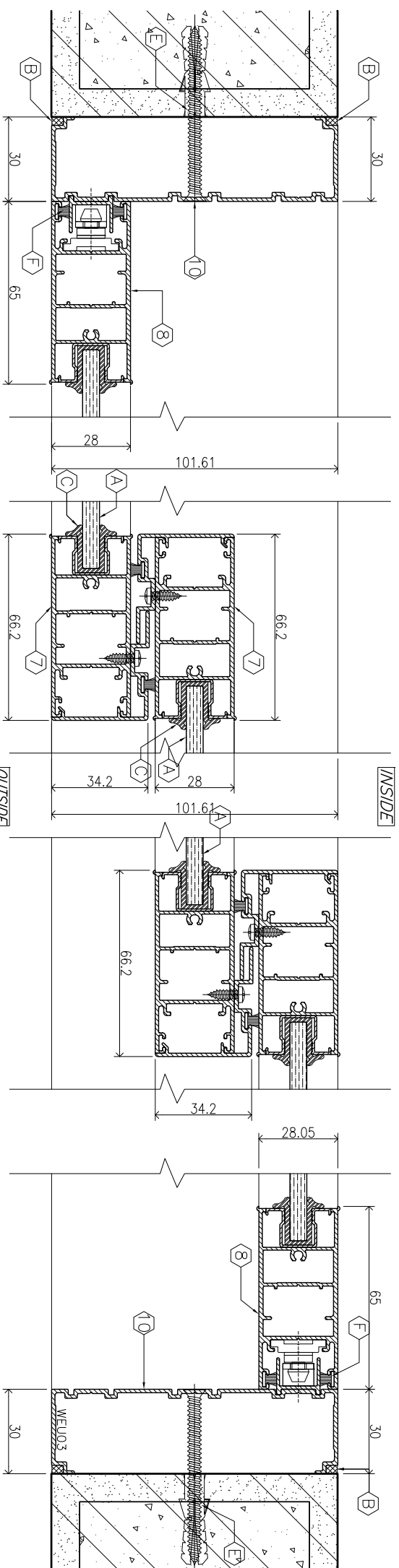
DESIGN & DWN : MANIT SRSANGSUNG ML.4193
 CHKD. BY :
 SCALE : 1 : 2 (A3)
 DRAWING NO. SW-01F

Symbol	Accessories Door & Window
(A)	GLASS PANELS
(B)	SILICONE SEALANT
(C)	GLAZING GASKET
(D)	BUBBLE GASKET
(E)	SCREW & NYLON PLUG
(F)	WOOL PILE
(G)	ROLLER SLIDING
(H)	HANDLE LOCK
(I)	CAM LOCK
(J)	SETTING BLOCK

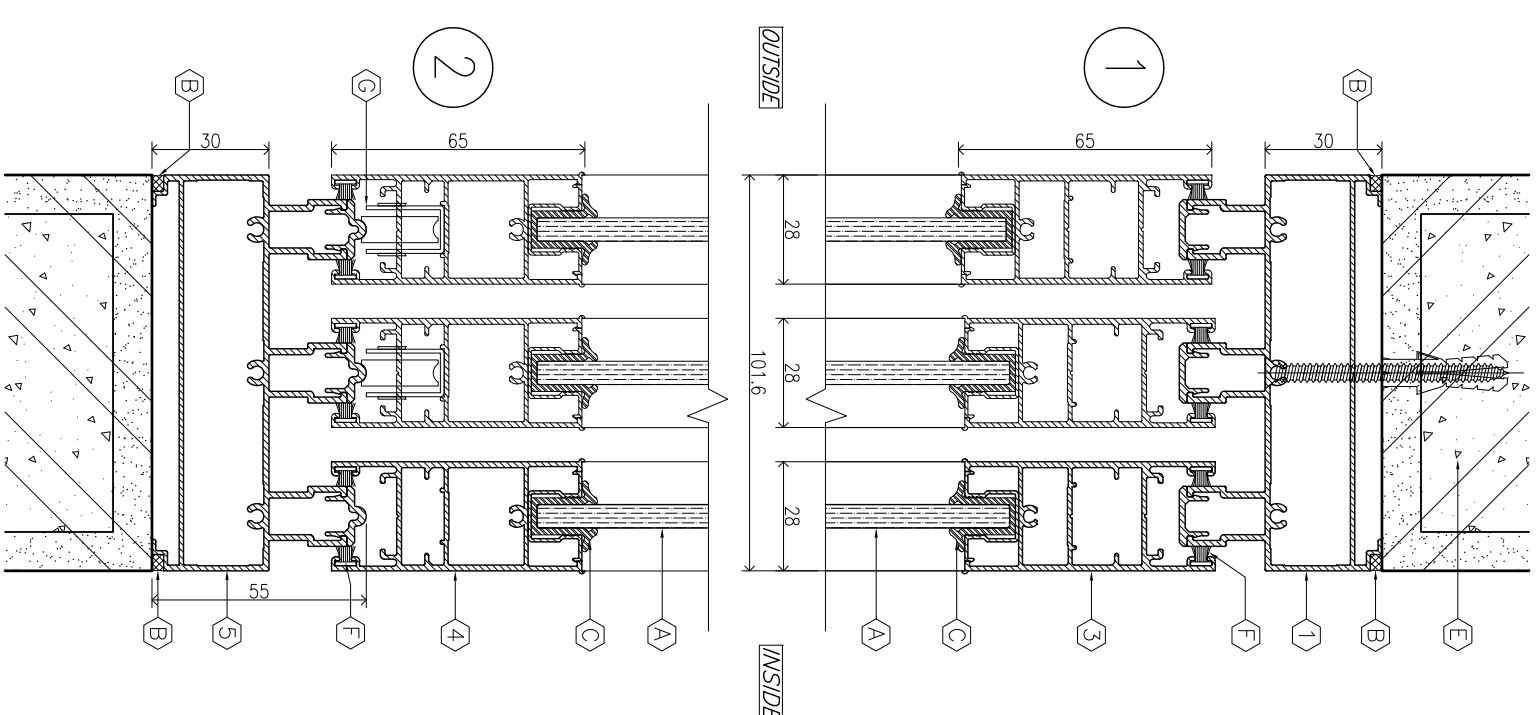
Symbol	Aluminum Extruded Section Alloy 6063-T5
(1)	HEAD SECTION
(2)	TRANSOM SECTION
(3)	TOPRAIL SECTION
(4)	BOTTOMRAIL SECTION
(5)	SILL SECTION
(6)	LOCKER STILE SECTION
(7)	INNER LOCKER STILE SECTION
(8)	STILE SECTION
(9)	MULLION SECTION
(10)	JAMB SECTION
(11)	SASH SECTION
(12)	BEAD SECTION



แผนตัดหน้าวงกบ



HORIZONTAL DETAIL



VERTICAL DETAIL

PROJECT : STANDARD PROJECT
 LOCATION :

OWNER :

ALUMINIUM CONTRACTOR :
ORM
 ALUMINIUM ORN (THAILAND) CO.,LTD.
 27/28 Moo 11, Bangna-Boonrat Road,
 Bang Na District, Bangkok 10700
 Tel. : 096-765-8363, 093-765-8364

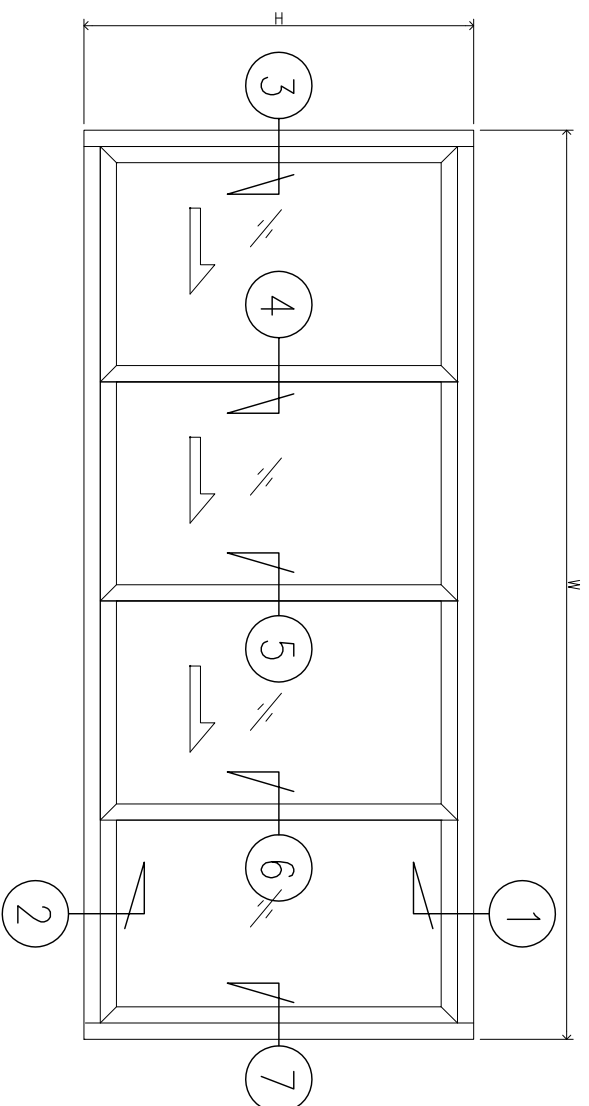
DRAWING TITLE
 DOOR & WINDOW
 TYPICAL STANDARD DETAIL

REVISION		DATE :	APPROVED BY
NO.	DATE	DESCRIPTION	APPROVED

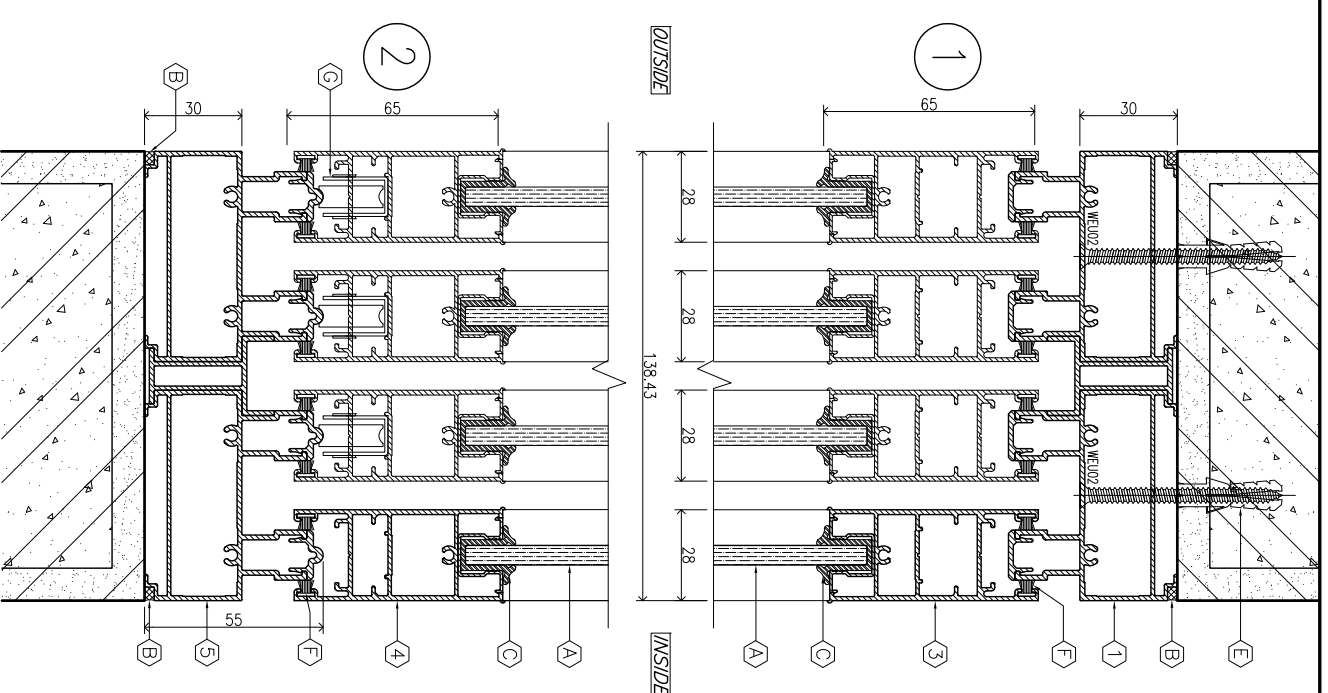
DESIGN & DWN : MANIT SRSANGSUNG ML.4193
 CHKD. BY :
 SCALE : 1 : 2 (A3)
 DRAWING NO. SW-02F

SYMBOL	DESCRIPTION
①	ALUMINIUM EXTRUDED SECTION ALLOY 6063-T5
②	HEAD SECTION
③	TRANSOM SECTION
④	TOPRAIL SECTION
⑤	BOTTOMRAIL SECTION
⑥	SILL SECTION
⑦	LOCKER STILE SECTION
⑧	INNER LOCKER STILE SECTION
⑨	STILE SECTION
⑩	MULLION SECTION
⑪	JAMB SECTION
⑫	SASH SECTION
⑬	BEAD SECTION

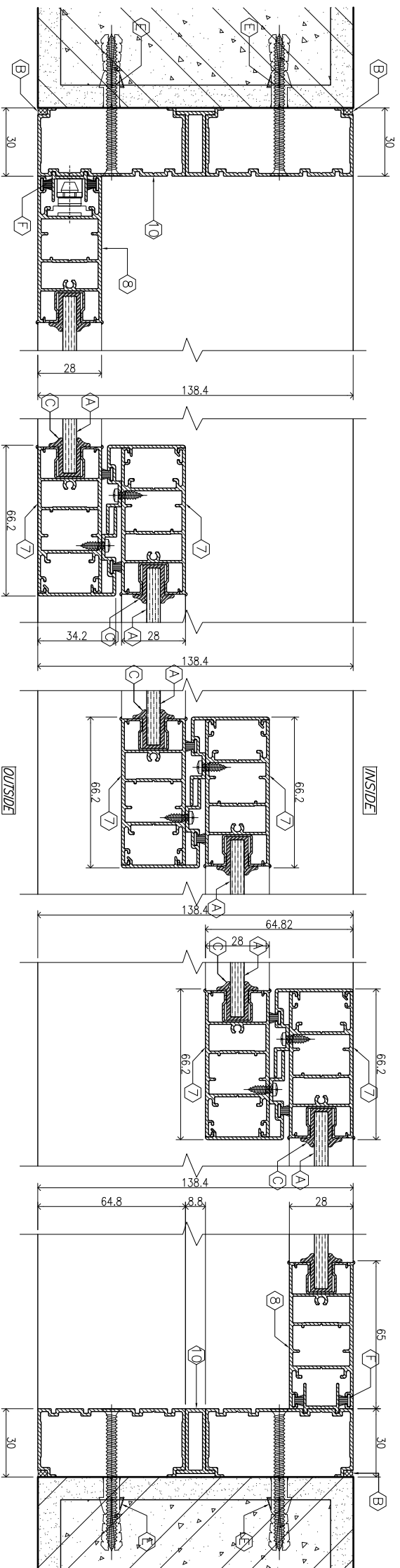
SYMBOL	DESCRIPTION
Ⓐ	ACCESSORIES DOOR & WINDOW
Ⓐ	GLASS PANELS
Ⓑ	SILICONE SEALANT
Ⓒ	GLAZING GASKET
Ⓓ	BUBBLE GASKET
Ⓔ	SCREW & NYLON PLUG
Ⓕ	WOOL PILE
Ⓖ	ROLLER SLIDING
Ⓗ	HANDLE LOCK
Ⓙ	CAM LOCK
Ⓚ	SETTING BLOCK



แบบตัดหน้าบานหน้าต่าง



VERTICAL DETAIL



HORIZONTAL DETAIL

PROJECT : STANDARD PROJECT

OWNER :

ALUMINIUM CONTRACTOR : **ORM** ALUMINIUM CO., LTD.

ADDRESS : 27/28 Moo 11, 11, Bangna-Boonrat Road, Bangna District, Bangkok 10700, Thailand
Tel. : 096-765-8363, 093-765-8364

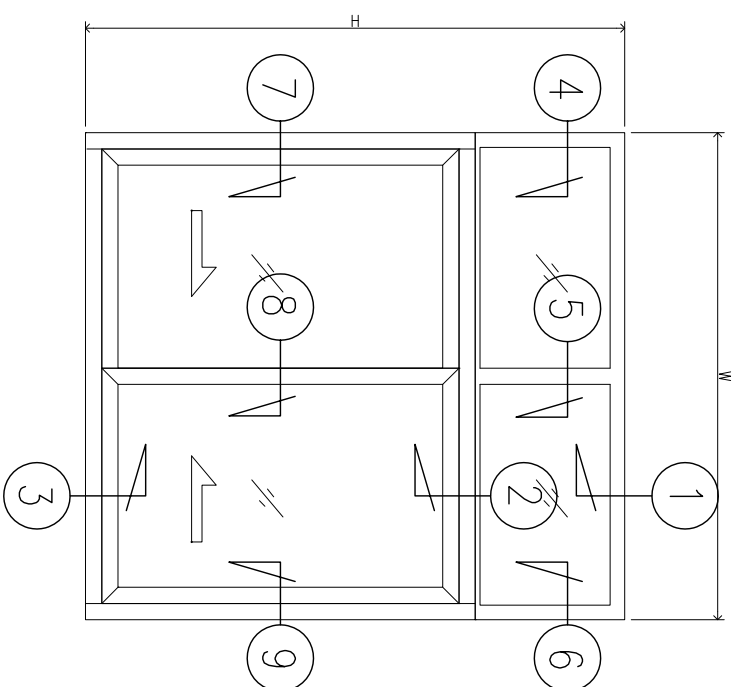
DRAWING TITLE : DOOR & WINDOW TYPICAL STANDARD DETAIL

NO.	DATE	REVISION DESCRIPTION	APPROVED

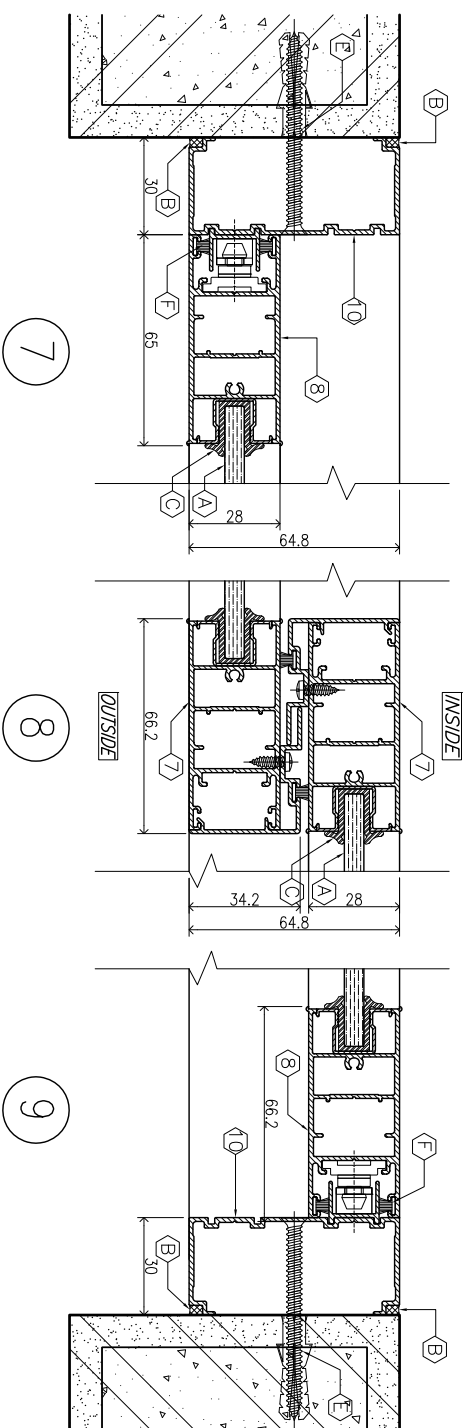
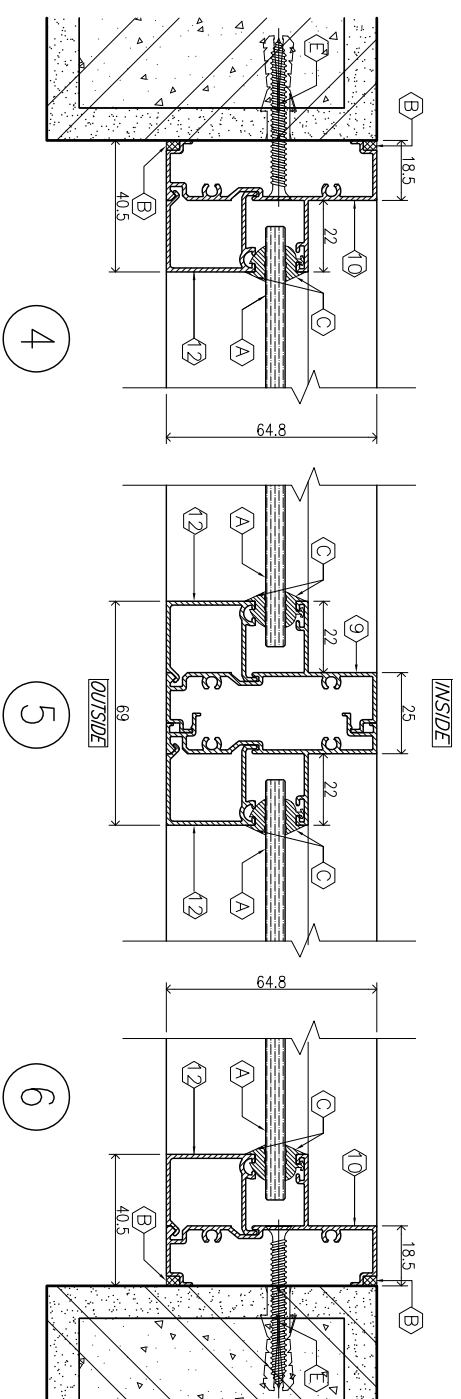
DATE :
DESIGN & DWN : MANIT SRISANGSUNG ML.4193
CHKD. BY :
SCALE : 1 : 2 (A3)

APPROVED BY :
DRAWING NO. : SW-03F

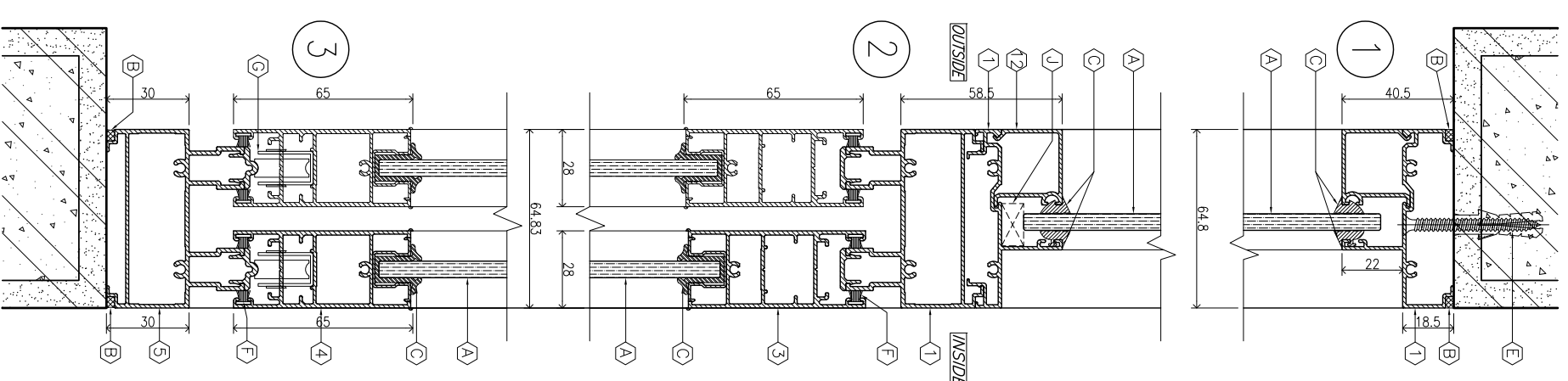
ALUMINIUM EXTRUDED SECTION	
ALLOY 6063-15	
①	HEAD SECTION
②	TRANSOM SECTION
③	TOPRAIL SECTION
④	BOTTOMRAIL SECTION
⑤	SILL SECTION
⑥	LOCKER STILE SECTION
⑦	INNER LOCKER STILE SECTION
⑧	STILE SECTION
⑨	MULLION SECTION
⑩	JAMB SECTION
⑪	SASH SECTION
⑫	BEAD SECTION
ACCESSORIES	
DOOR & WINDOW	
Ⓐ	GLASS PANELS
Ⓑ	SILICONE SEALANT
Ⓒ	GLAZING GASKET
Ⓓ	BUBBLE GASKET
Ⓔ	SCREW & NYLON PLUG
Ⓕ	WOOL PILE
Ⓖ	ROLLER SLIDING
Ⓗ	HANDLE LOCK
Ⓙ	CAM LOCK
Ⓚ	SETTING BLOCK



บานเลื่อนคู่ + ช่องแสงบนคู่



HORIZONTAL DETAIL

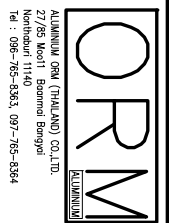


VERTICAL DETAIL

PROJECT :
STANDARD PROJECT

OWNER :

ALUMINIUM CONTRACTOR :



DRAWING TITLE

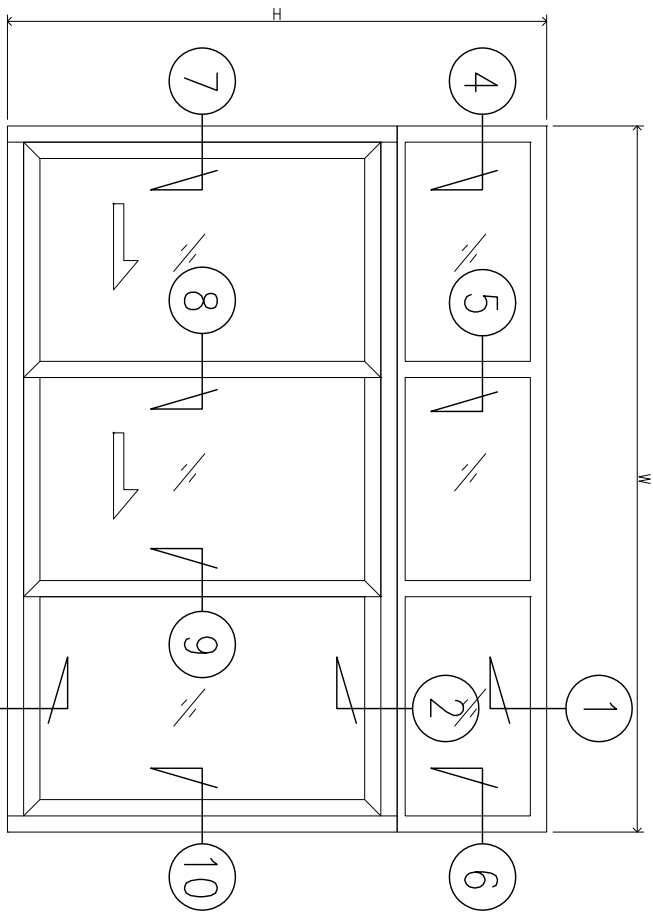
**DOOR & WINDOW
TYPICAL STANDARD DETAIL**

NO.	DATE	REVISION DESCRIPTION	APPROVED

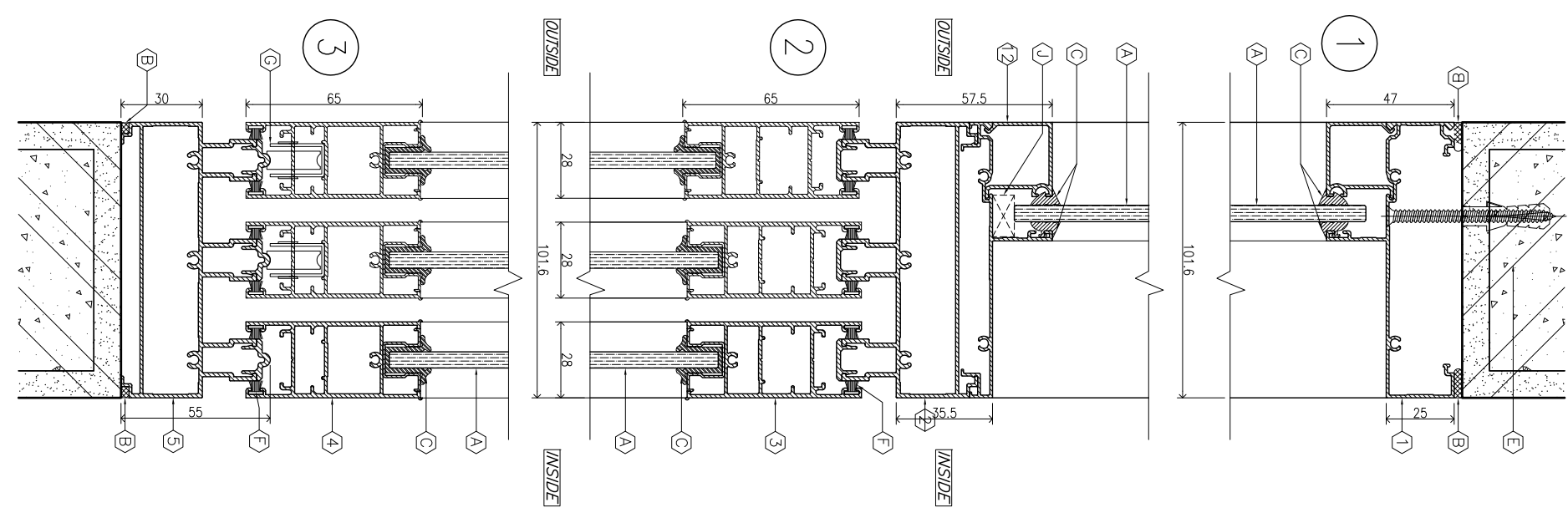
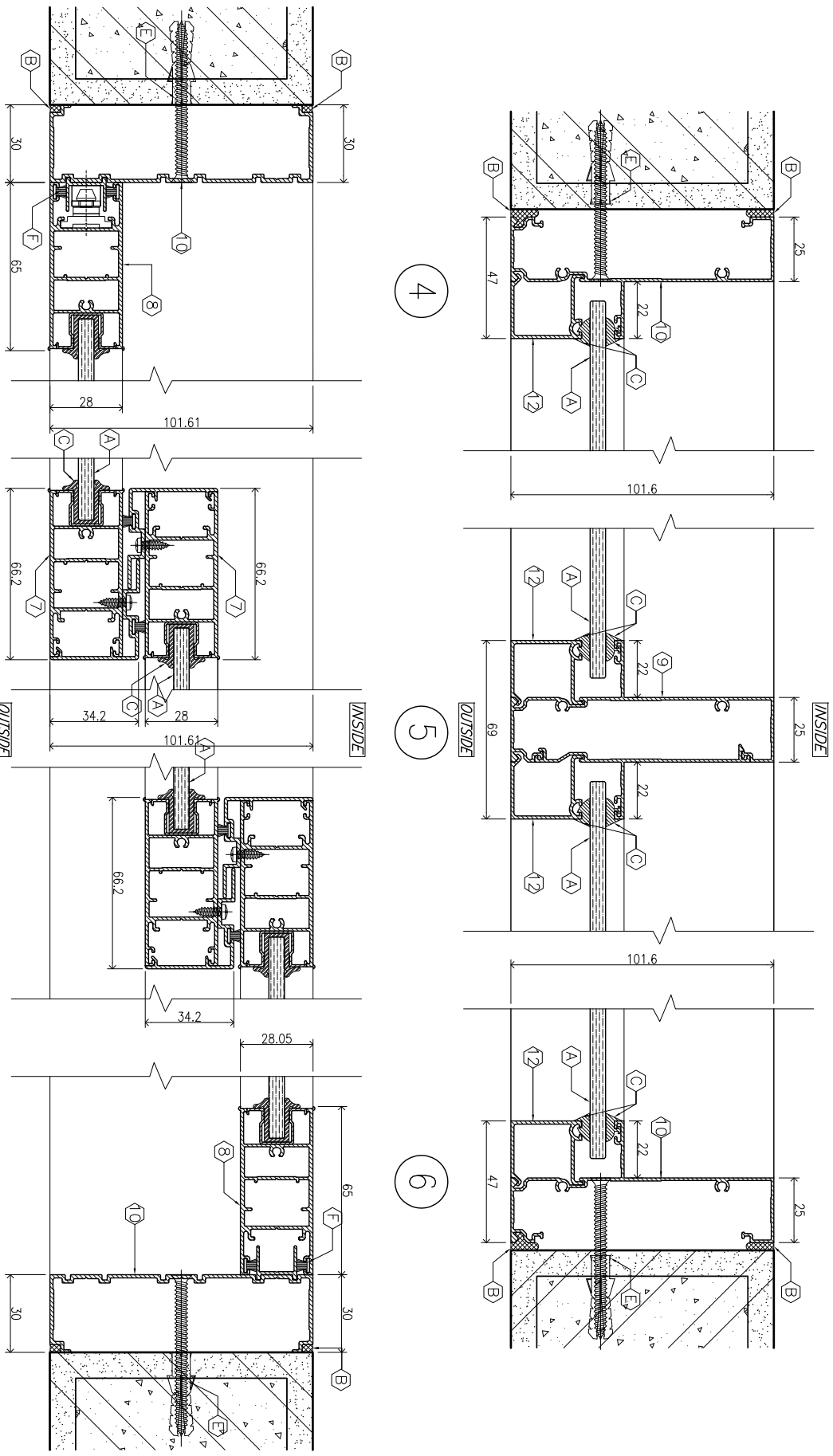
DATE :
DESIGN & DWN : MANIT SRISANGSUNG
CHKD. BY :
SCALE : 1 : 2 (A3)

APPROVED BY
DRAWING NO.
SW-04F

ALUMINIUM EXTRUDED SECTION	ALLOY 6063-T5
1	HEAD SECTION
2	TRANSOM SECTION
3	TOPRAIL SECTION
4	BOTTOMRAIL SECTION
5	SILL SECTION
6	LOCKER STILE SECTION
7	INNER LOCKER STILE SECTION
8	MULLION SECTION
9	JAMB SECTION
10	SASH SECTION
12	BEAD SECTION
ACCESSORIES	
DOOR & WINDOW	
A	GLASS PANELS
B	SILICONE SEALANT
C	GLAZING GASKET
D	BUBBLE GASKET
E	SCREW & NYLON PLUG
F	WOOL PILE
G	ROLLER SLIDING
H	HANDLE LOCK
I	CAM LOCK
J	SETTING BLOCK



การติดตั้งกระจก + ฟิล์มและกันลม

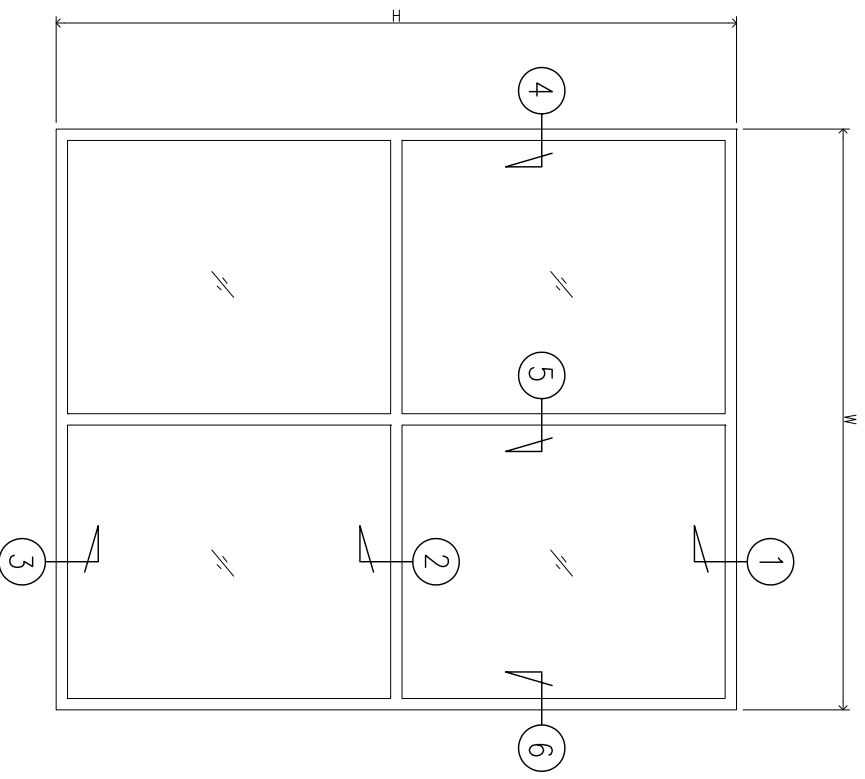


HORIZONTAL DETAIL

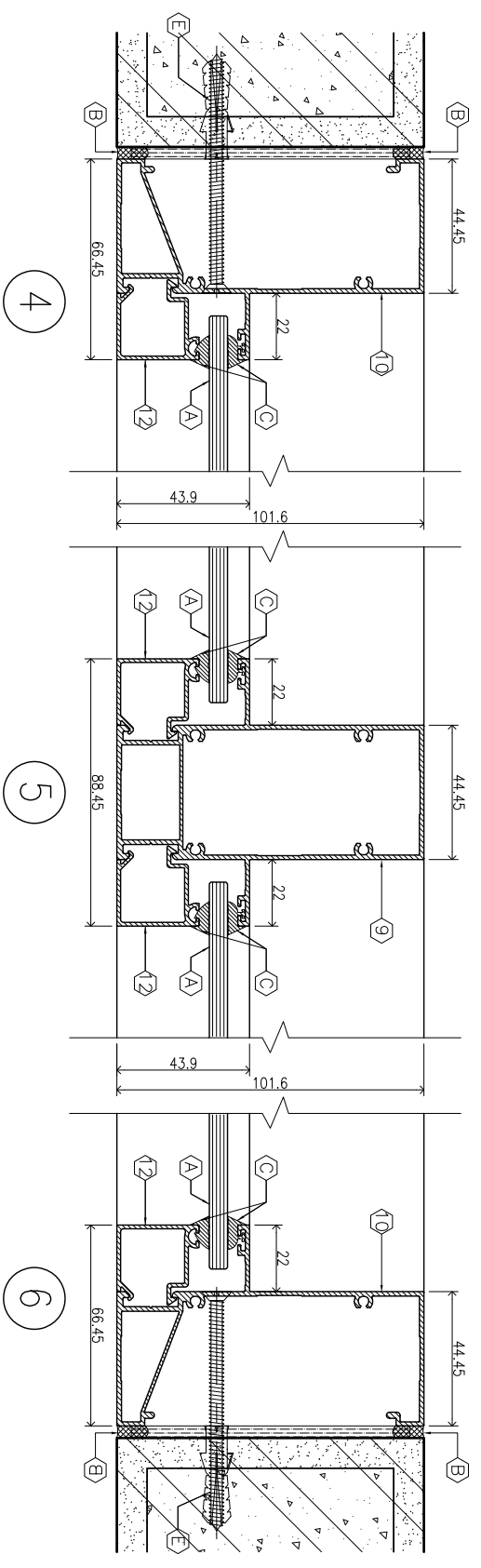
VERTICAL DETAIL

PROJECT : STANDARD PROJECT	OWNER :	ALUMINIUM CONTRACTOR :	DRAWING TITLE
LOCATION :	LOCATION :	ORM ALUMINIUM (THAILAND) CO.,LTD. 27/28 Moo 11, Bangma Bopit, Bangkok 10310, Thailand Tel. : 06-755-883, 097-755-8884	DOOR & WINDOW TYPICAL STANDARD DETAIL
NO.		REVISION	
DATE		DESCRIPTION	
APPROVED		APPROVED	
DATE :		DESIGN & DWN : MANIT SRSANGSUNG TEL. 4193	
CHKD. BY :		SCALE : 1 : 2 (A3)	
DRAWING NO.		APPROVED BY	
SW-05F			

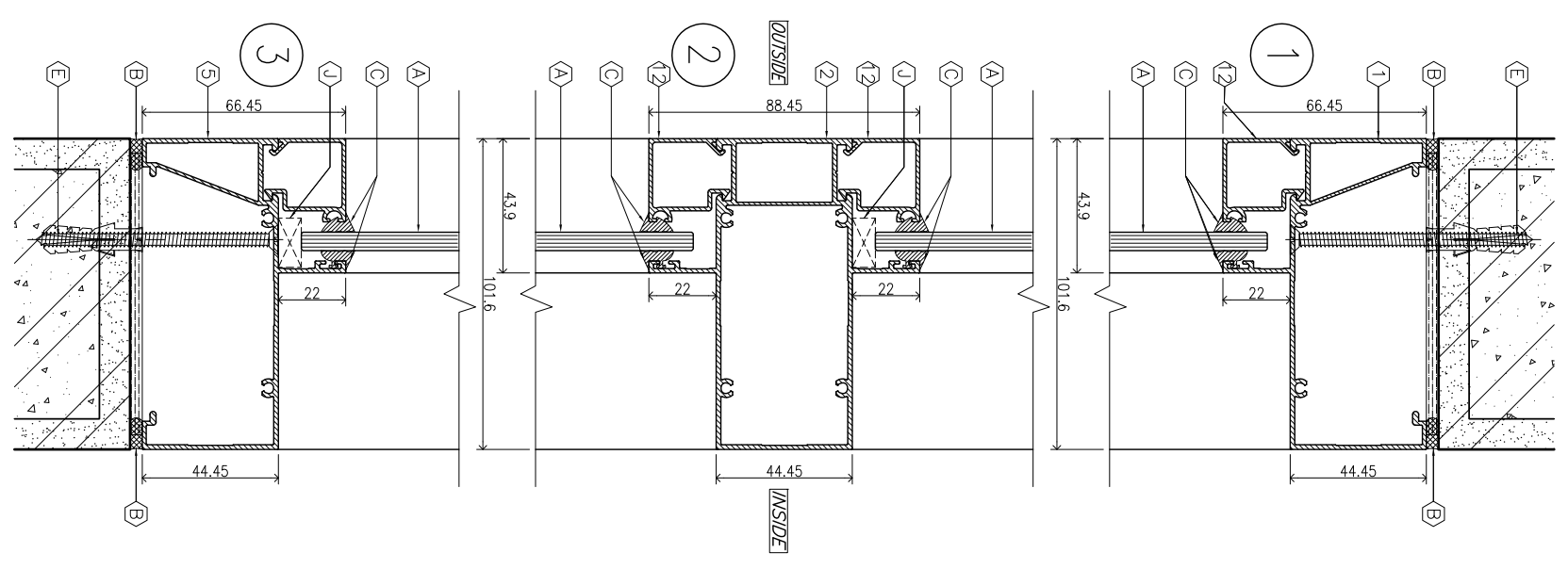
SYMBOL	ALUMINIUM EXTRUDED SECTION
ALLOY	6063-15
①	HEAD SECTION
②	TRANSOM SECTION
③	TOPRAIL SECTION
④	BOTTOMRAIL SECTION
⑤	SILL SECTION
⑥	LOCKER STILE SECTION
⑦	INTER LOCKER STILE SECTION
⑧	STILE SECTION
⑨	MULLION SECTION
⑩	JAMB SECTION
⑪	SASH SECTION
⑫	BEAD SECTION
ACCESSORIES	
Ⓐ	GLASS PANELS
Ⓑ	SILICONE SEALANT
Ⓒ	GLAZING GASKET
Ⓓ	BUBBLE GASKET
Ⓔ	SCREW & NYLON PLUG
Ⓕ	WOOL PILE
Ⓖ	ROLLER SLIDING
Ⓗ	HANDLE LOCK
Ⓙ	CAM LOCK
Ⓚ	SETTING BLOCK



ช่องแสงกระจกติดตายคู่ใบ



HORIZONTAL DETAIL

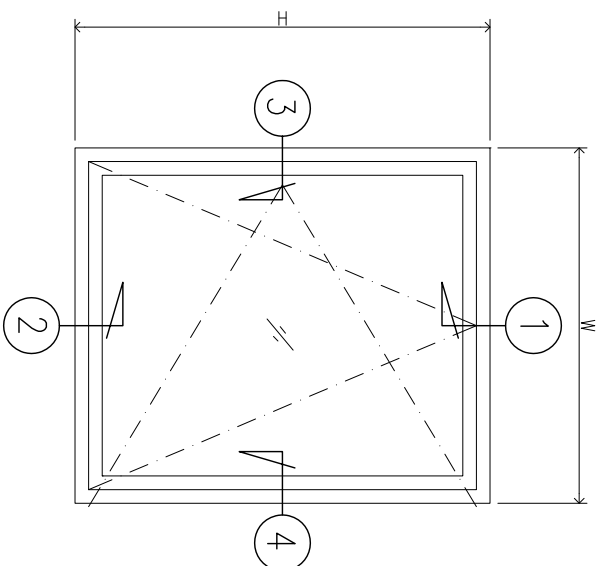


VERTICAL DETAIL

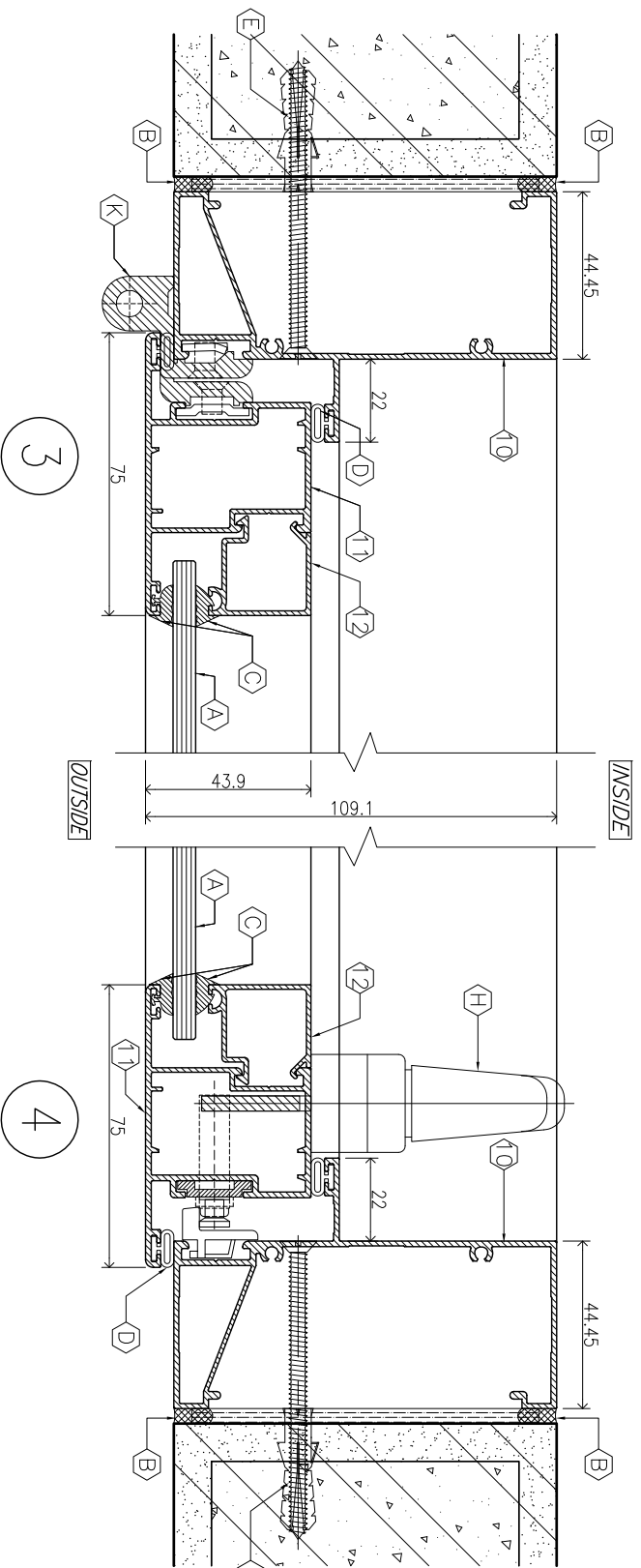
PROJECT : STANDARD PROJECT	OWNER :	ALUMINIUM CONTRACTOR : ORM ALUMINIUM ORN (THAILAND) CO.,LTD. 27/28 Moo 11, 11, Bangma Boengye Bangkok 10110, Thailand Tel. : 096-765-8363, 093-765-8364	DRAWING TITLE DOOR & WINDOW TYPICAL STANDARD DETAIL	REVISION	DATE :	APPROVED BY			
LOCATION :				NO.	DATE	DESCRIPTION	APPROVED	DESIGN & DWN : MANIT SRISANGSUNG TEL. 4193	DRAWING NO. SW-001
								CHKD. BY :	SCALE : 1 : 2 (A3)

SYMBOL	ALUMINIUM EXTRUDED SECTION ALLOY 6063-T5
1	HEAD SECTION
2	TRANSOM SECTION
3	TOPRAIL SECTION
4	BOTTOMRAIL SECTION
5	SILL SECTION
6	LOCKER STILE SECTION
7	INNER LOCKER STILE SECTION
8	STILE SECTION
9	MULLION SECTION
10	JAMB SECTION
11	SASH SECTION
12	BEAD SECTION

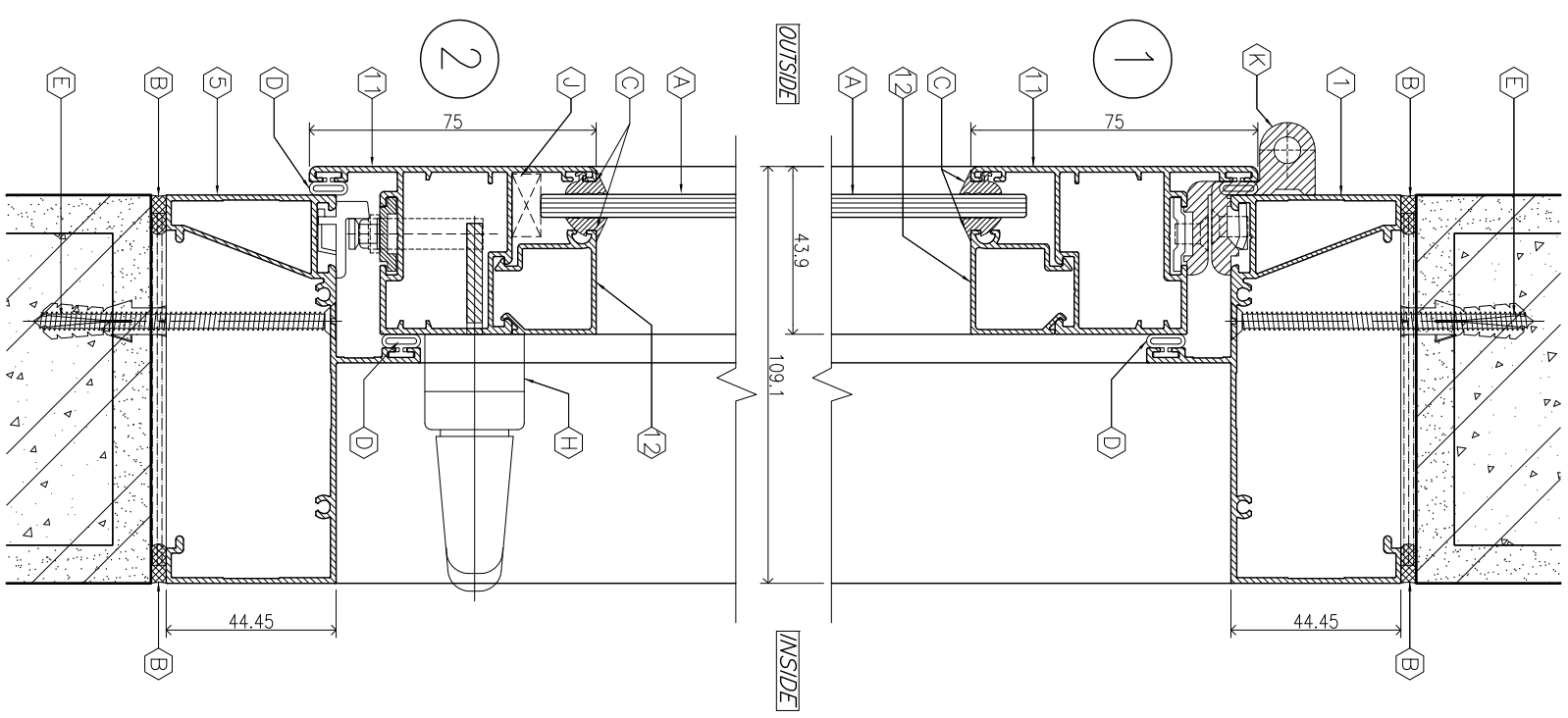
SYMBOL	ACCESSORIES DOOR & WINDOW
A	GLASS PANELS
B	SILICONE SEALANT
C	GLAZING GASKET
D	BUBBLE GASKET
E	SCREW & NYLON PLUG
F	WOOL PILE
G	ROLLER SLIDING
H	HANDLE LOCK
I	CAM LOCK
J	SETTING BLOCK
K	HINGE



หน้าตาของบานกระจกและบานเปิดคู่ใบ



HORIZONTAL DETAIL




VERTICAL DETAIL

PROJECT :
STANDARD PROJECT
LOCATION :

OWNER :
ALUMINIUM CONTRACTOR :

ALUMINIUM CONTRACTOR :



ALUMINIUM ORN (THAILAND) CO.,LTD.
27/28 Moo 11, Rama 9 Road,
Bangkok 10310, Thailand
Tel. : 096-755-8363, 093-755-8364

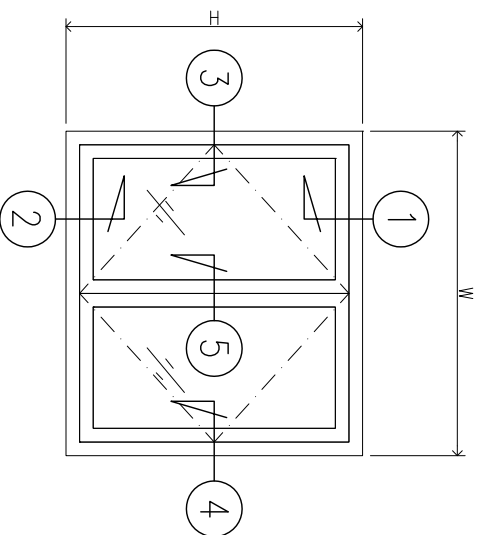
DRAWING TITLE
**DOOR & WINDOW
TYPICAL STANDARD DETAIL**

NO.	DATE	REVISION DESCRIPTION	APPROVED

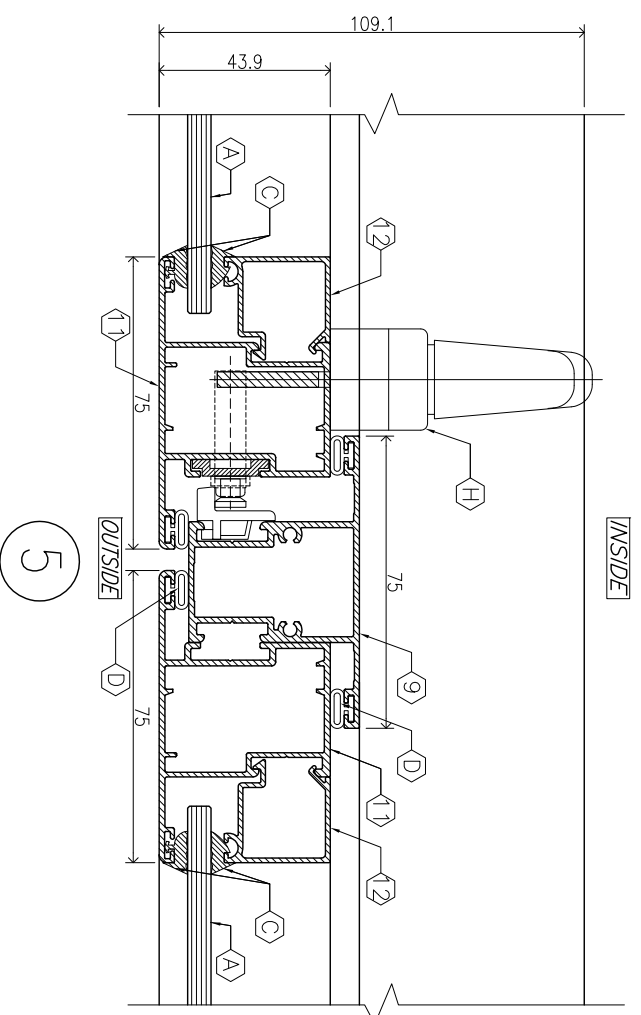
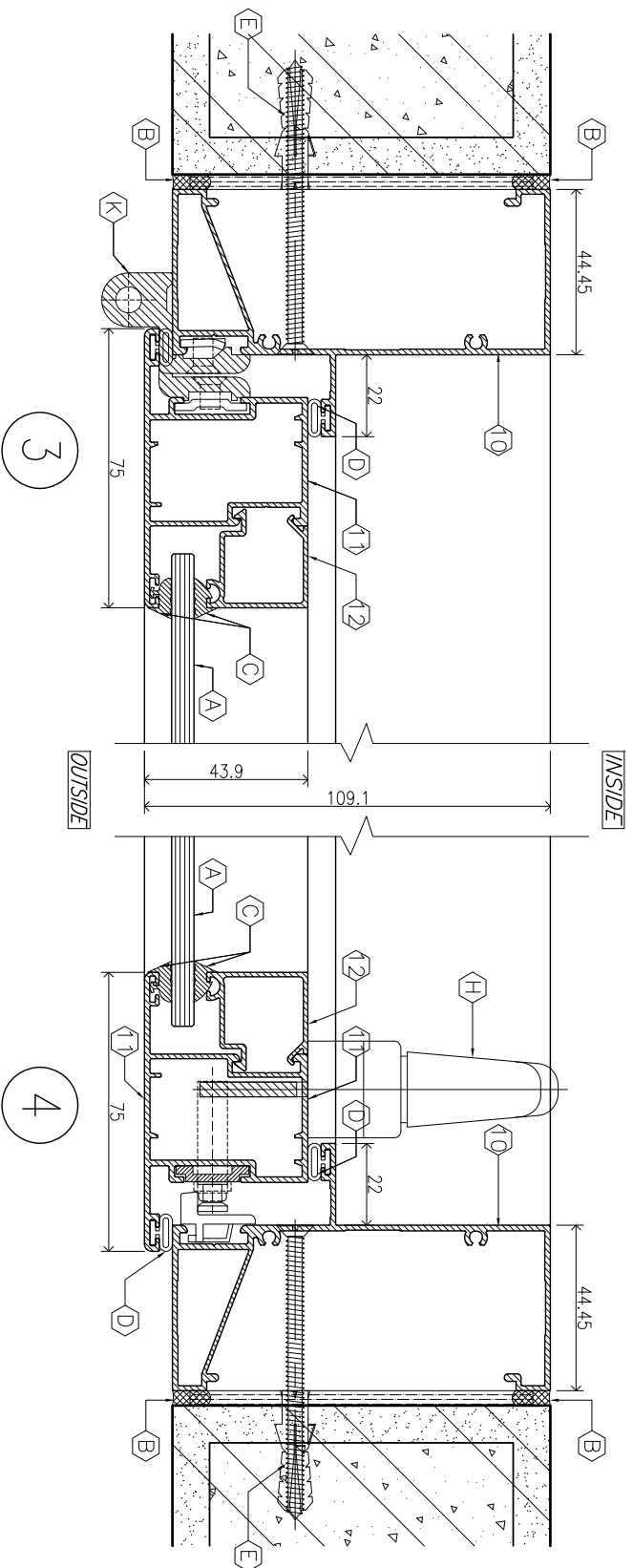
DATE :
DESIGN & DWG : MANIT SRISANGSUNG
ML.4193
CHKD. BY :
SCALE : 1 : 2 (A3)
APPROVED BY :
DRAWING NO. :
SW-002

ALUMINIUM EXTRUDED SECTION
ALLOY 6063-T5
① HEAD SECTION
② TRANSOM SECTION
③ TOPRAIL SECTION
④ BOTTOMRAIL SECTION
⑤ SILL SECTION
⑥ LOCKER STILE SECTION
⑦ INTER LOCKER STILE SECTION
⑧ STILE SECTION
⑨ MULLION SECTION
⑩ JAMB SECTION
⑪ SASH SECTION
⑫ BEAD SECTION

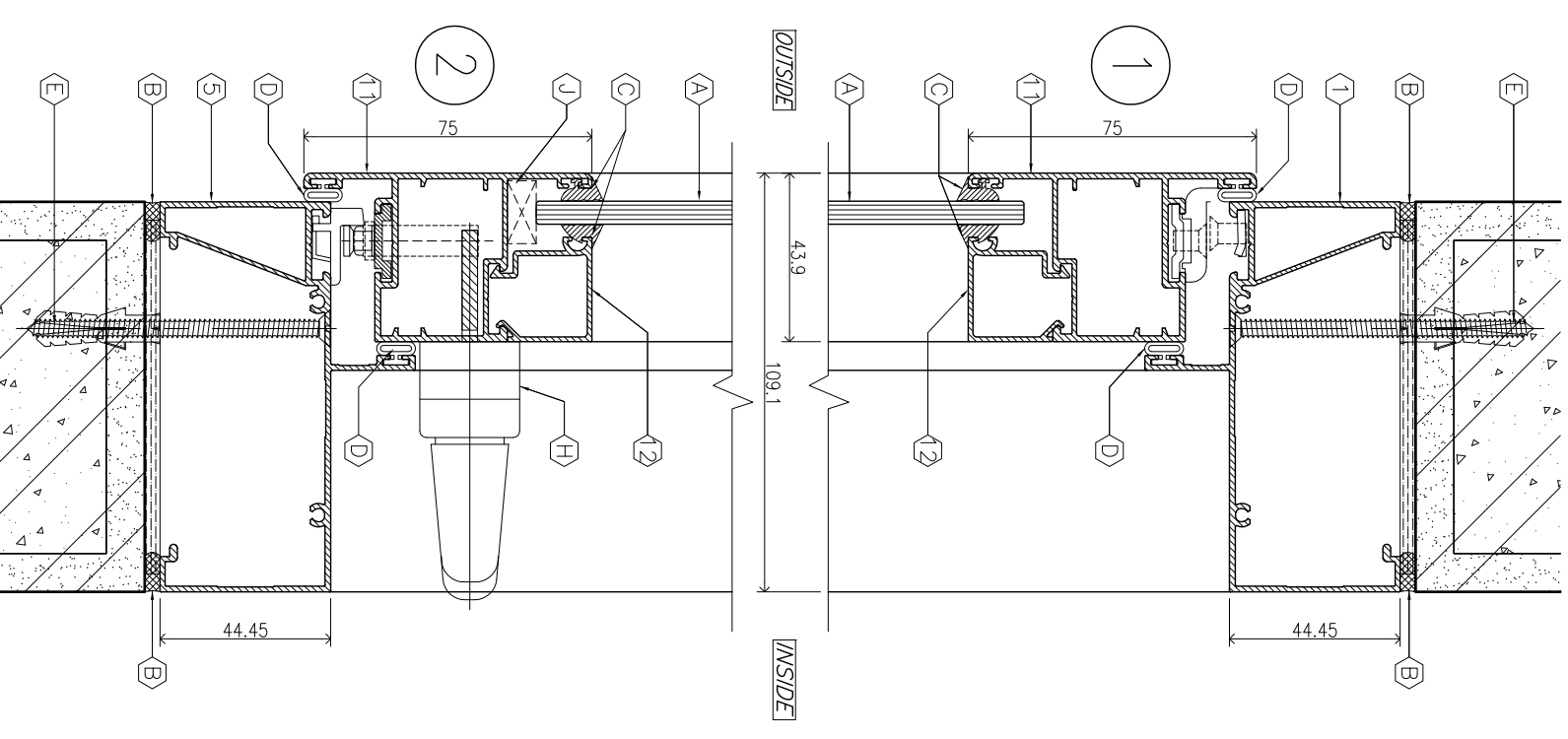
ACCESSORIES
DOOR & WINDOW
① GLASS PANELS
② SILICONE SEALANT
③ GLAZING GASKET
④ RUBBLE GASKET
⑤ SCREW & NYLON PLUG
⑥ WOOL PILE
⑦ ROLLER SLIDING
⑧ HANDLE LOCK
⑨ CAM LOCK
⑩ SETTING BLOCK
⑪ HINGE



หน้าต่างบานคู่เปิดคู่ใบ



HORIZONTAL DETAIL



VERTICAL DETAIL

PROJECT : STANDARD PROJECT
 LOCATION :

OWNER :

ALUMINIUM CONTRACTOR :
ORM
 ALUMINIUM CO., (THAILAND) CO., LTD.
 27/28 Moo 11, Bangna-Boonrat Road,
 Bang Na District, Bangkok 10700
 Tel. : 096-755-8863, 093-765-8884

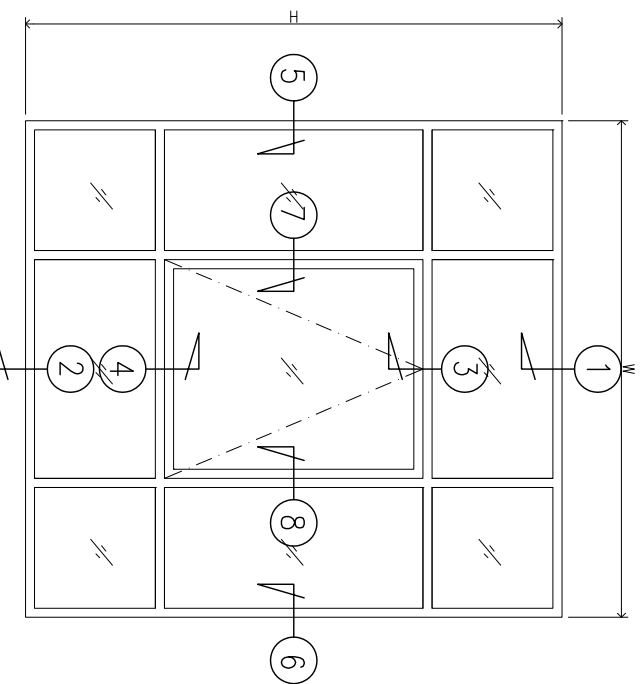
DRAWING TITLE
 DOOR & WINDOW
 TYPICAL STANDARD DETAIL

NO.	DATE	REVISION DESCRIPTION	APPROVED	DATE	APPROVED BY

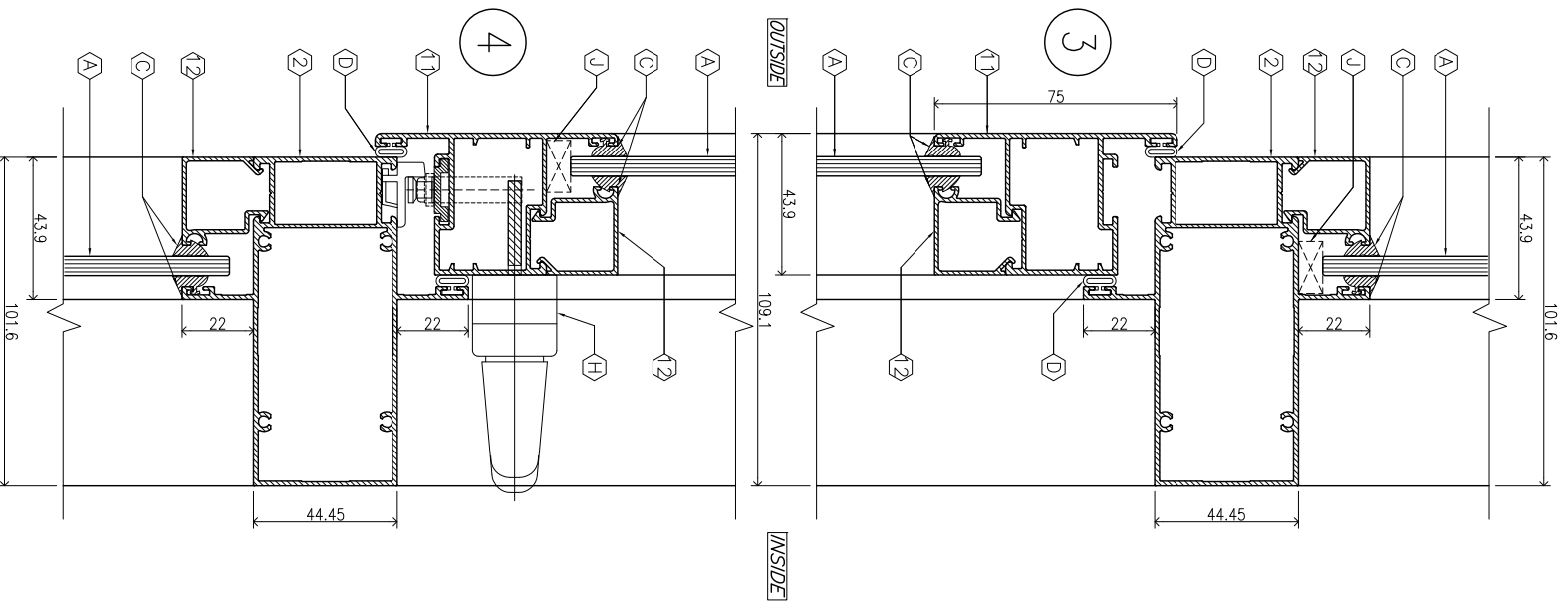
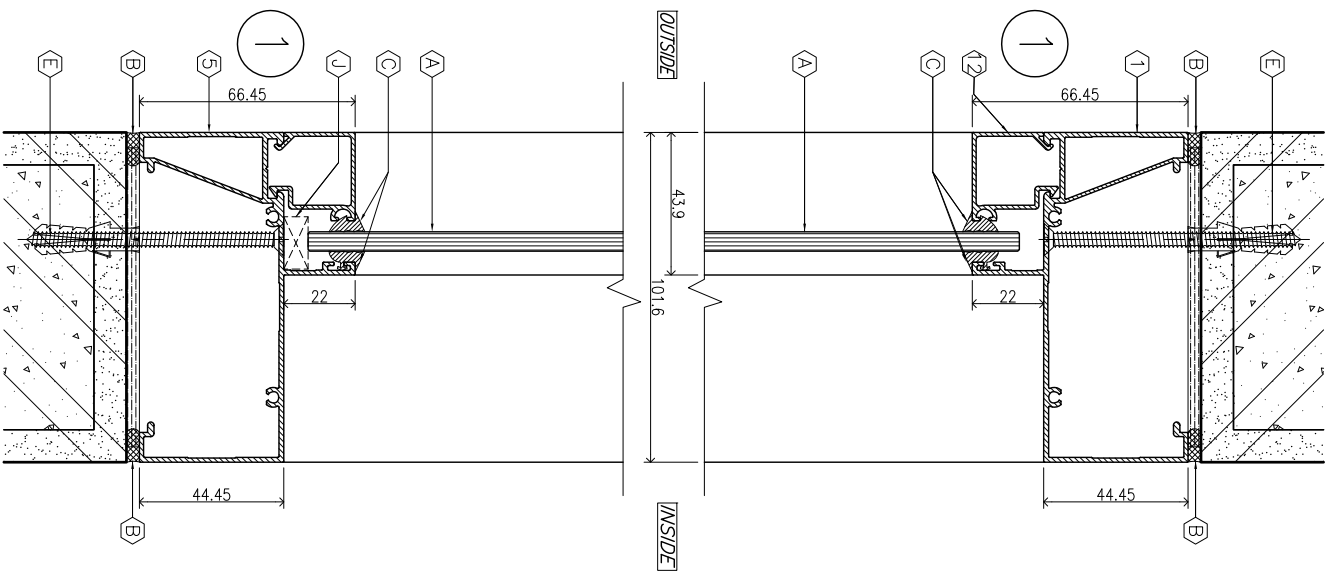
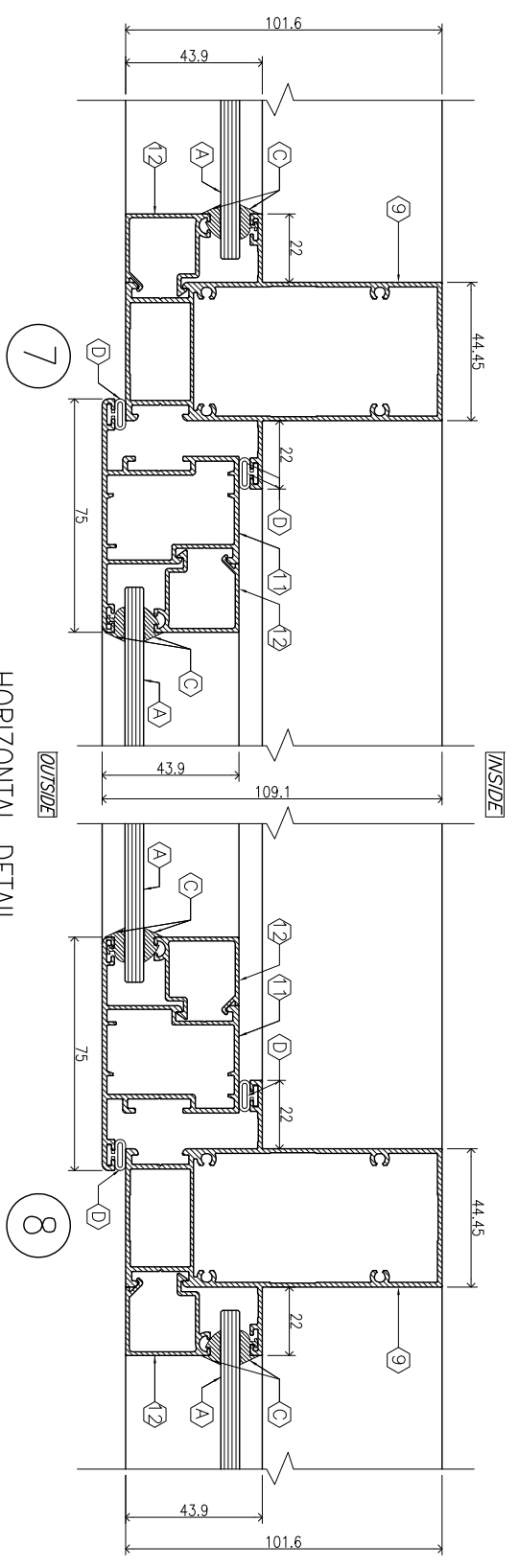
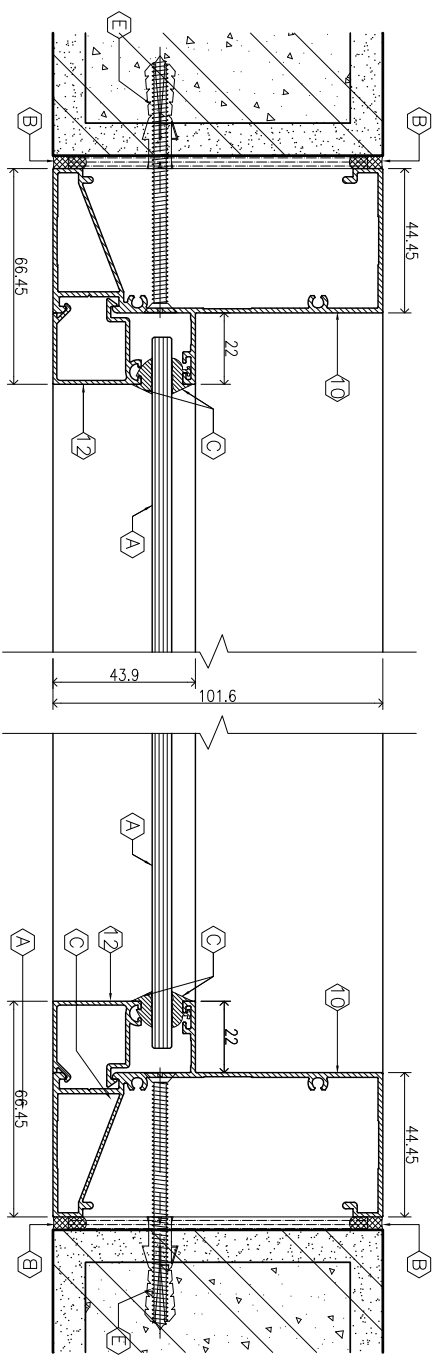
DESIGN & DWG : MANIT SRSANGSUNG ML.4193
 CHKD. BY :
 SCALE : 1 : 2 (A3)
 DRAWING NO. SW-003

SYMBOL	ALUMINIUM EXTRUDED SECTION
1	HEAD SECTION
2	TRANSOM SECTION
3	TOPRAIL SECTION
4	BOTTOMRAIL SECTION
5	SILL SECTION
6	LOCKER STILE SECTION
7	INNER LOCKER STILE SECTION
8	STILE SECTION
9	MULLION SECTION
10	JAMB SECTION
11	SASH SECTION
12	BEAD SECTION

SYMBOL	ACCESSORIES
A	GLASS PANELS
B	SILICONE SEALANT
C	GLAZING SEALANT
D	BUBBLE GASKET
E	SCREW & NYLON PLUG
F	WOOL PILE
G	ROLLER SLIDING
H	HANDLE LOCK
I	CAM LOCK
J	SETTING BLOCK
K	HINGE



ช่องและกระจกภาคตัดตามและหนาตามรายการระบุในรูป



HORIZONTAL DETAIL

PROJECT : STANDARD PROJECT
 OWNER :
 LOCATION :
 ALUMINIUM CONTRACTOR :
ORM
 ALUMINIUM CO. (THAILAND) CO., LTD.
 27/28 Moo 11, Bangna-Boonrat Road, Bangna District, Bangkok 10700, Thailand
 Tel. : 096-755-883, 097-755-884
 DRAWING TITLE : DOOR & WINDOW TYPICAL STANDARD DETAIL
 REVISION :
 DATE :
 DESIGN & DWN : MANIT SRSANGSUNG ML.4193
 CHKD. BY :
 SCALE : 1 : 2 (A3)
 APPROVED BY :
 DRAWING NO. : SW-004