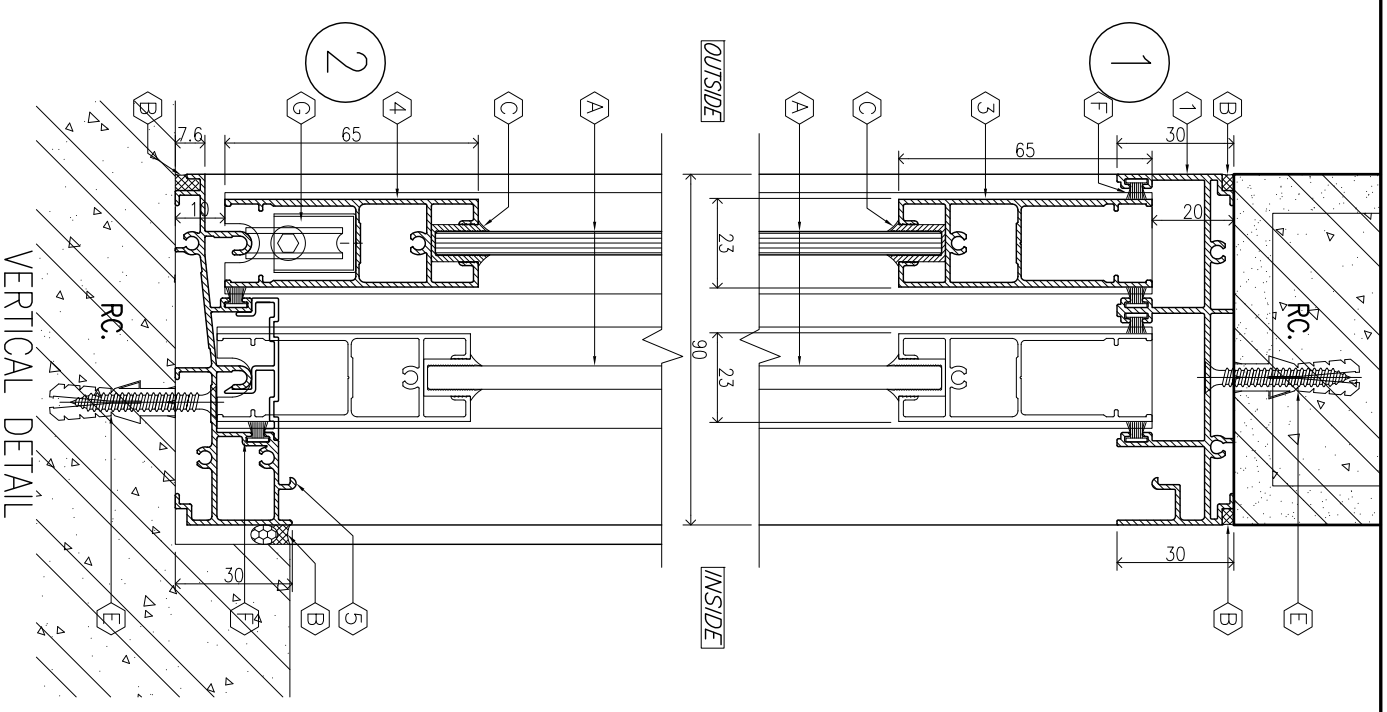
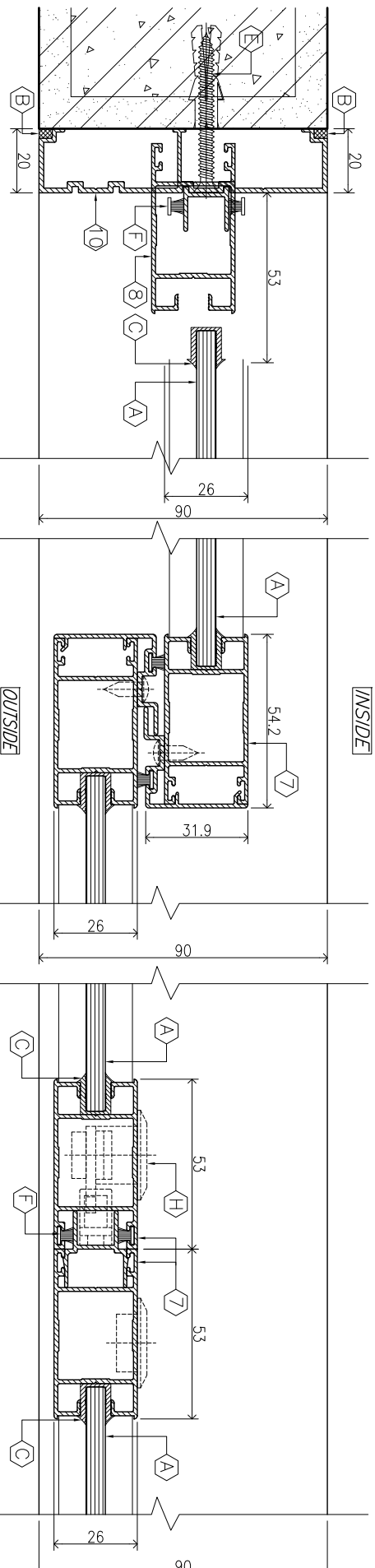
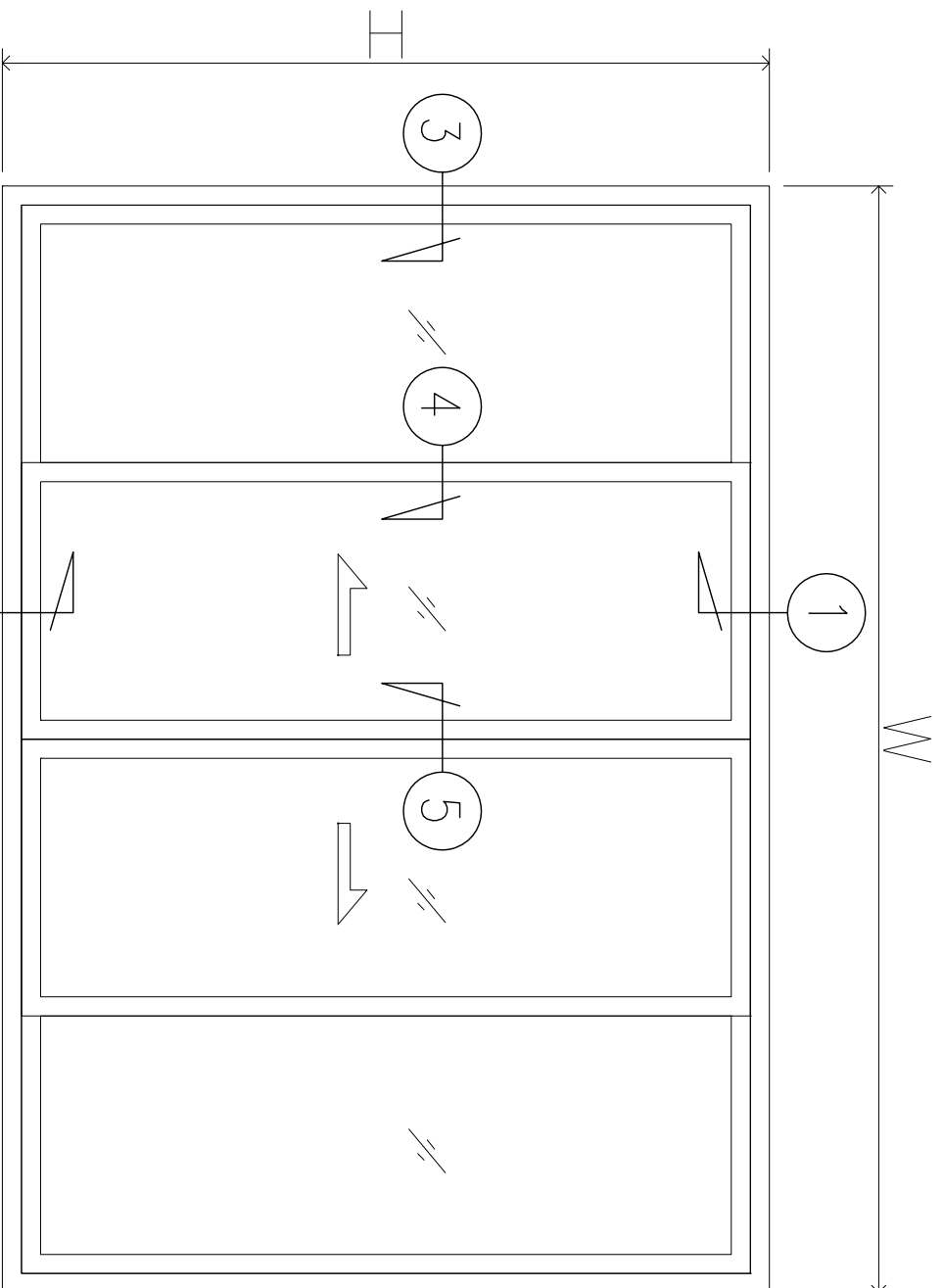


2-பொ. பொ. ப. 153

SYMBOL	ALUMINIUM EXTRUDED SECTION ALLOY 6063-T5
①	HEAD SECTION
②	TRANSOM SECTION
③	TOPRAIL SECTION
④	BOTTOMRAIL SECTION
⑤	SILL SECTION
⑥	LOCKER STILE SECTION
⑦	INNER LOCKER STILE SECTION
⑧	STILE SECTION
⑨	MULLION SECTION
⑩	JAMB SECTION
⑪	SASH SECTION
⑫	BEAD SECTION

SYMBOL	ACCESSORIES DOOR & WINDOW
Ⓐ	GLASS PANELS
Ⓑ	SILICONE SEALANT
Ⓒ	GLAZING GASKET
Ⓓ	BUBBLE GASKET
Ⓔ	SCREW & NYLON PLUG
Ⓕ	WOOL PILE
Ⓖ	ROLLER SLIDING
Ⓗ	HANDLE LOCK
Ⓘ	CAM LOCK
Ⓙ	SETTING BLOCK



PROJECT :
STANDARD PROJECT
LOCATION :

OWNER :
LOCATION :

ALUMINIUM CONTRACTOR :
ORM
ALUMINIUM ORN (THAILAND) CO.,LTD.
27/28 Moo 11, Bangma Boengye
Bangkok, Thailand
Tel. : 096-755-8363, 093-755-8364

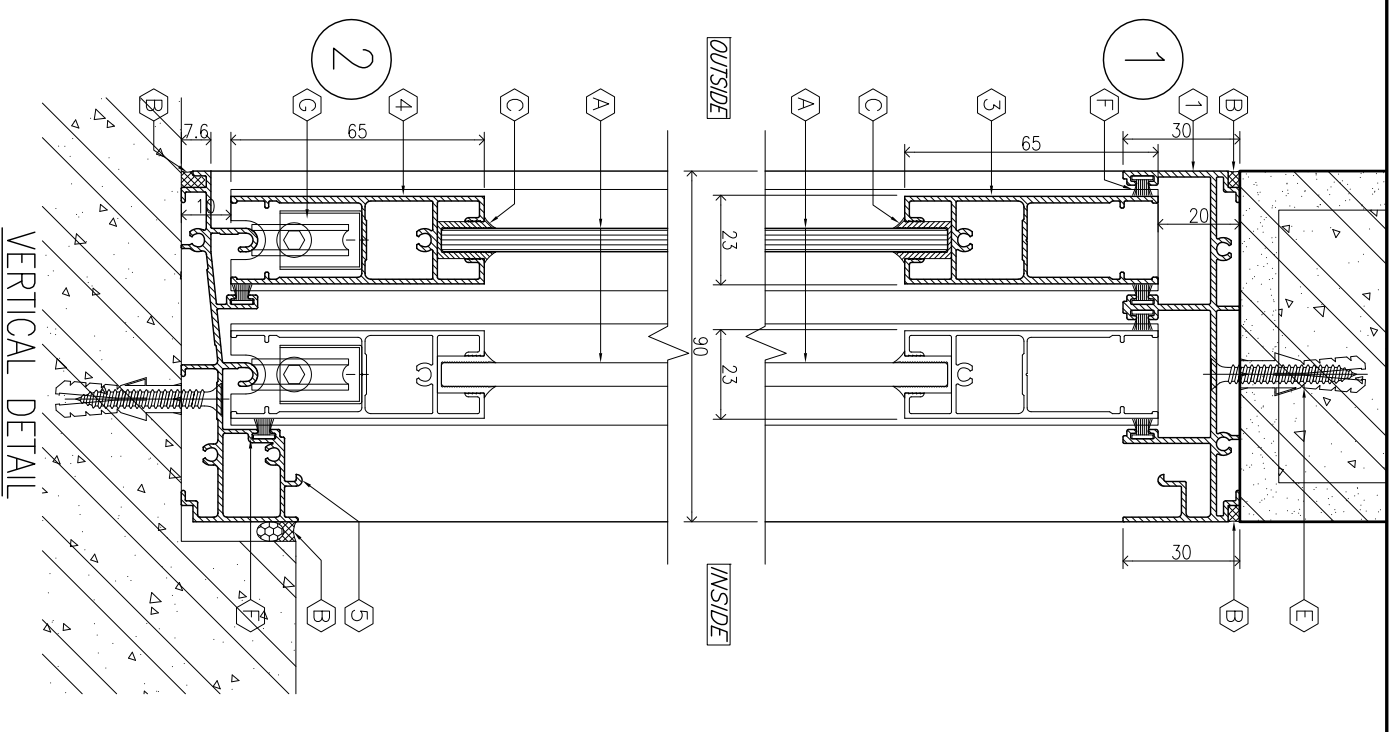
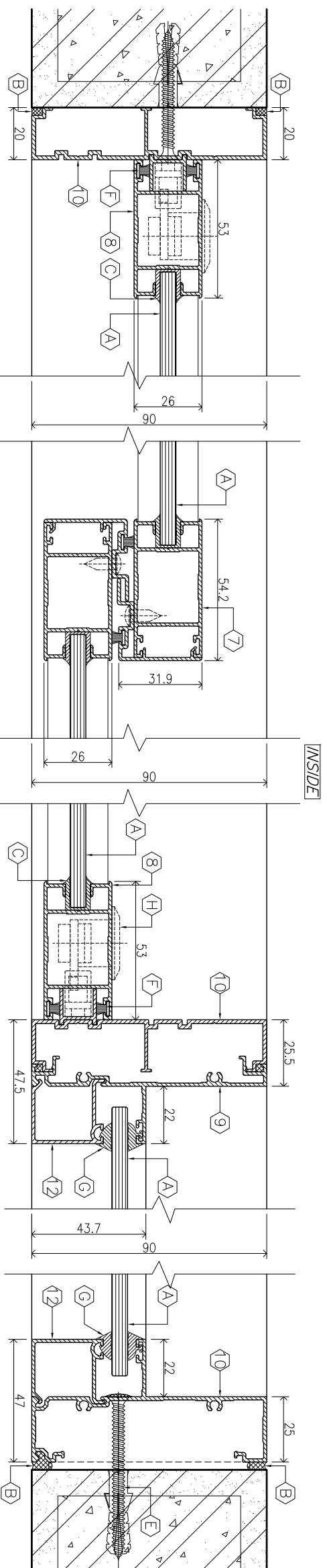
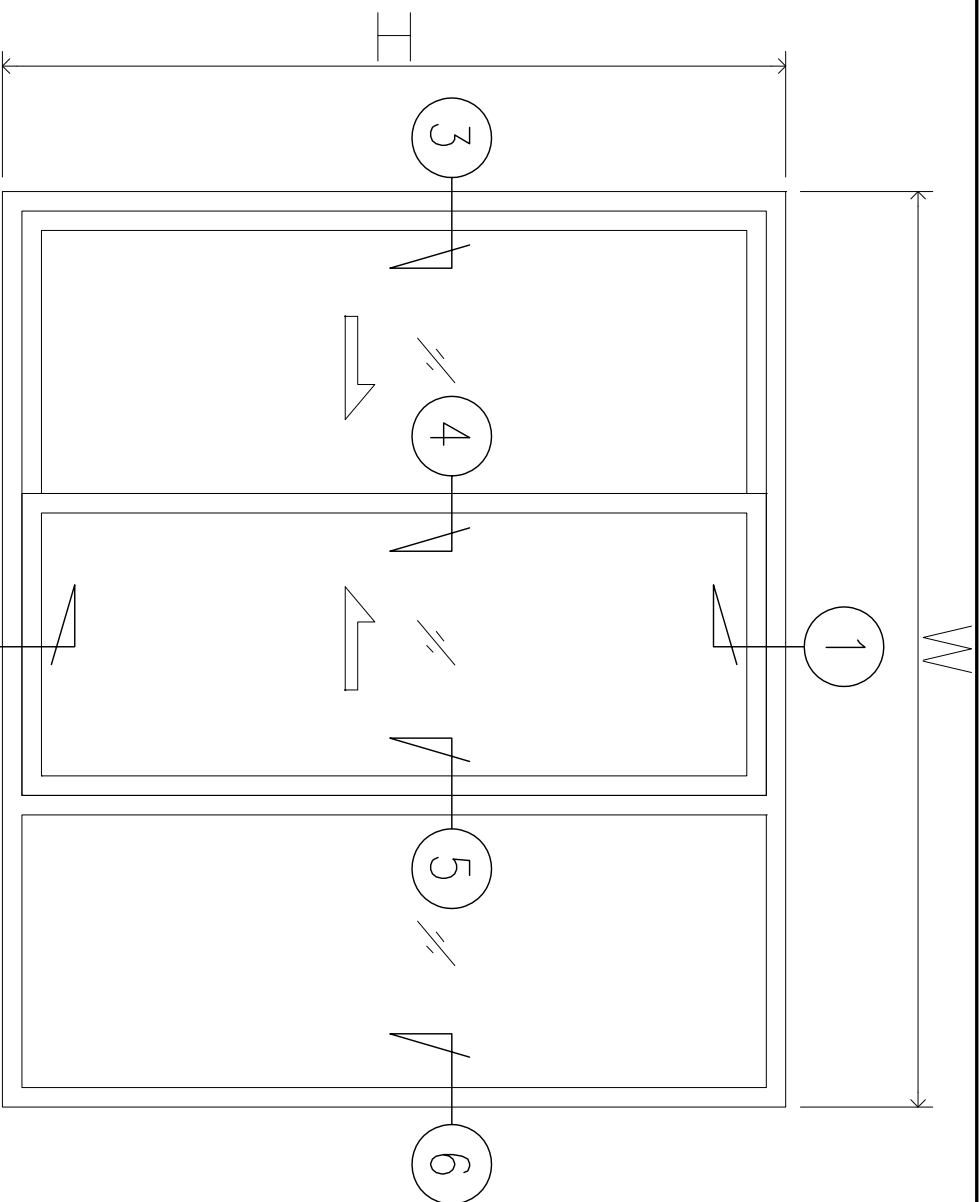
DRAWING TITLE
**DOOR & WINDOW
TYPICAL STANDARD DETAIL**

NO.	DATE	REVISION DESCRIPTION	APPROVED

DATE :
DESIGN & DWG : MANIT SRISANGSUNG
ML.4193
CHKD. BY :
SCALE : 1 : 2 (A3)
APPROVED BY :
DRAWING NO. :
SD-01A

SYMBOL	DESCRIPTION
①	ALUMINIUM EXTRUDED SECTION ALLOY 6063-T5
②	HEAD SECTION
③	TRANSOM SECTION
④	TOPRAIL SECTION
⑤	BOTTOMRAIL SECTION
⑥	SILL SECTION
⑦	LOCKER STILE SECTION
⑧	INNER LOCKER STILE SECTION
⑨	MULLION SECTION
⑩	JAMB SECTION
⑪	SASH SECTION
⑫	BEAD SECTION

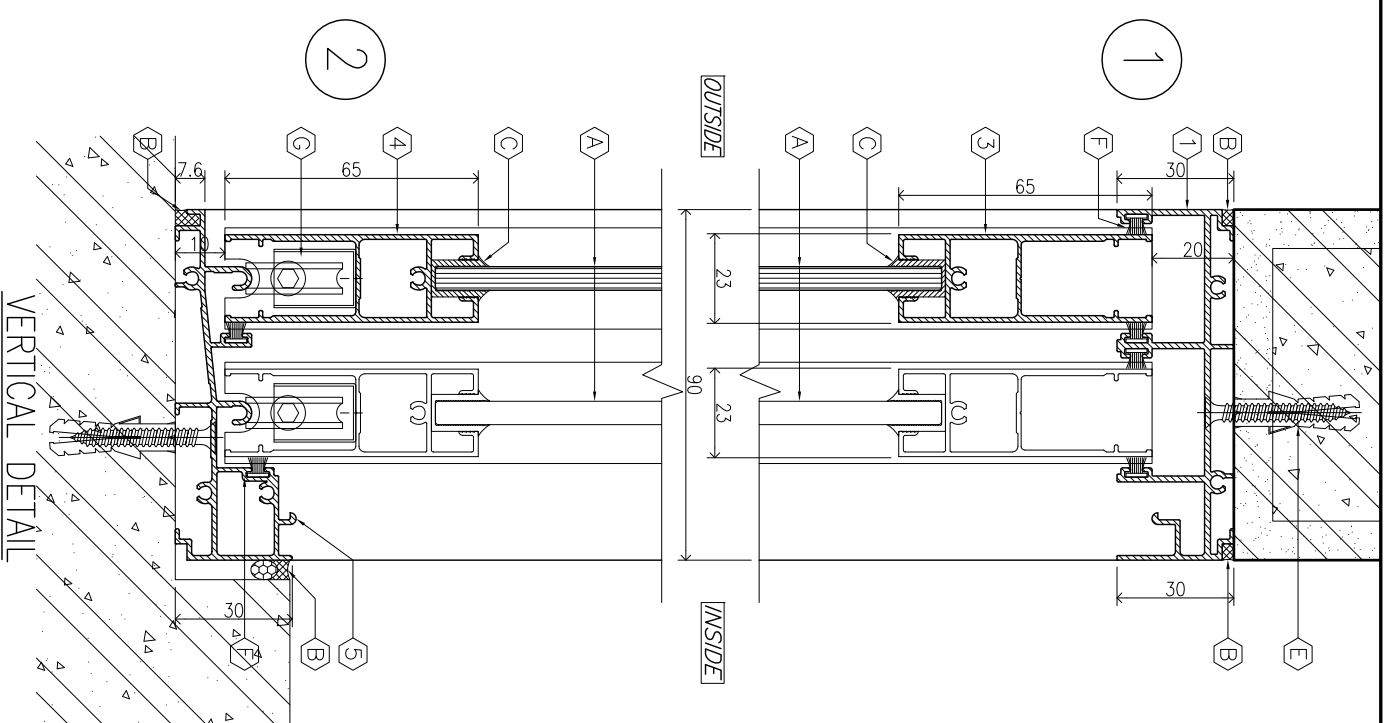
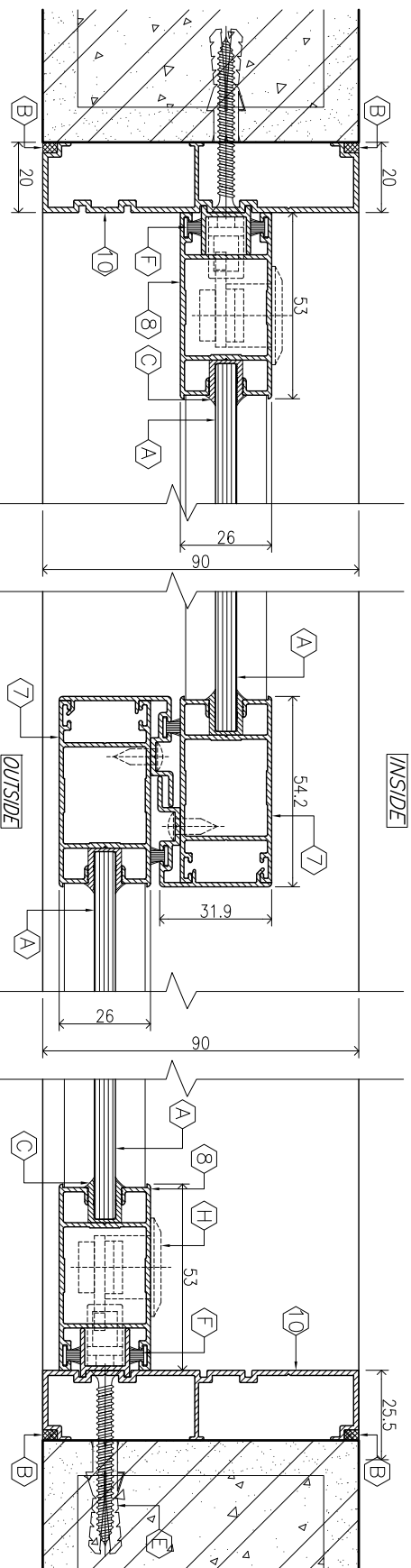
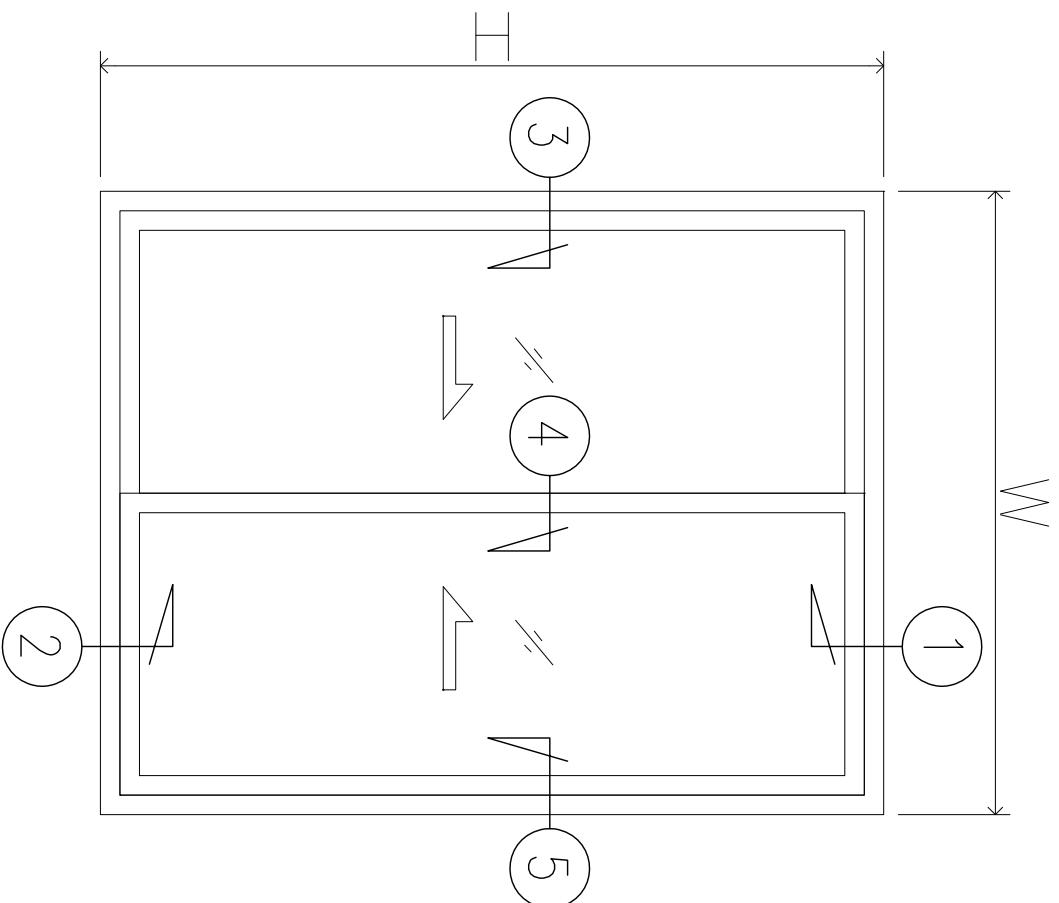
SYMBOL	DESCRIPTION
A	GLASS PANELS
B	SILICONE SEALANT
C	GLAZING GASKET
D	BUBBLE GASKET
E	SCREW & NYLON PLUG
F	WOOL PILE
G	ROLLER SLIDING
H	HANDLE LOCK
I	CAM LOCK
J	SETTING BLOCK



PROJECT : STANDARD PROJECT	OWNER :	ALUMINIUM CONTRACTOR : ORM	DRAWING TITLE: DOOR & WINDOW TYPICAL STANDARD DETAIL																
LOCATION :	LOCATION :	<p>ALUMINIUM ORN (THAILAND) CO., LTD. 27/28 Moo 111, Bangma Boengye Bangma Boengye, Bangma Boengye Tel. 096-765-8861, 093-765-8864</p>	<table border="1"> <thead> <tr> <th>NO.</th> <th>DATE</th> <th>REVISION DESCRIPTION</th> <th>APPROVED</th> </tr> </thead> <tbody> <tr><td> </td><td> </td><td> </td><td> </td></tr> <tr><td> </td><td> </td><td> </td><td> </td></tr> <tr><td> </td><td> </td><td> </td><td> </td></tr> </tbody> </table>	NO.	DATE	REVISION DESCRIPTION	APPROVED												
NO.	DATE	REVISION DESCRIPTION	APPROVED																
DATE :	DESIGN & DWN : MANIT SRISANGSUNG ML.4193	DATE :	APPROVED BY :																
SCALE : 1 : 2 (A3)	CHKD. BY :	SCALE :	DRAWING NO. SD-02A																

SYMBOL	DESCRIPTION
①	ALUMINIUM EXTRUDED SECTION ALLOY 6063-T5
②	HEAD SECTION
③	TRANSOM SECTION
④	TOPRAIL SECTION
⑤	BOTTOMRAIL SECTION
⑥	SILL SECTION
⑦	LOCKER STILE SECTION
⑧	INNER LOCKER STILE SECTION
⑨	MULLION SECTION
⑩	JAMB SECTION
⑪	SASH SECTION
⑫	BEAD SECTION

SYMBOL	DESCRIPTION
(A)	ACCESSORIES DOOR & WINDOW
(B)	GLASS PANELS
(C)	SILICONE SEALANT
(D)	GLAZING GASKET
(E)	BUBBLE GASKET
(F)	SCREW & NYLON PLUG
(G)	WOOL PILE
(H)	ROLLER SLIDING
(I)	HANDLE LOCK
(J)	CAM LOCK
(K)	SETTING BLOCK



PROJECT :
STANDARD PROJECT

OWNER :
LOCATION :

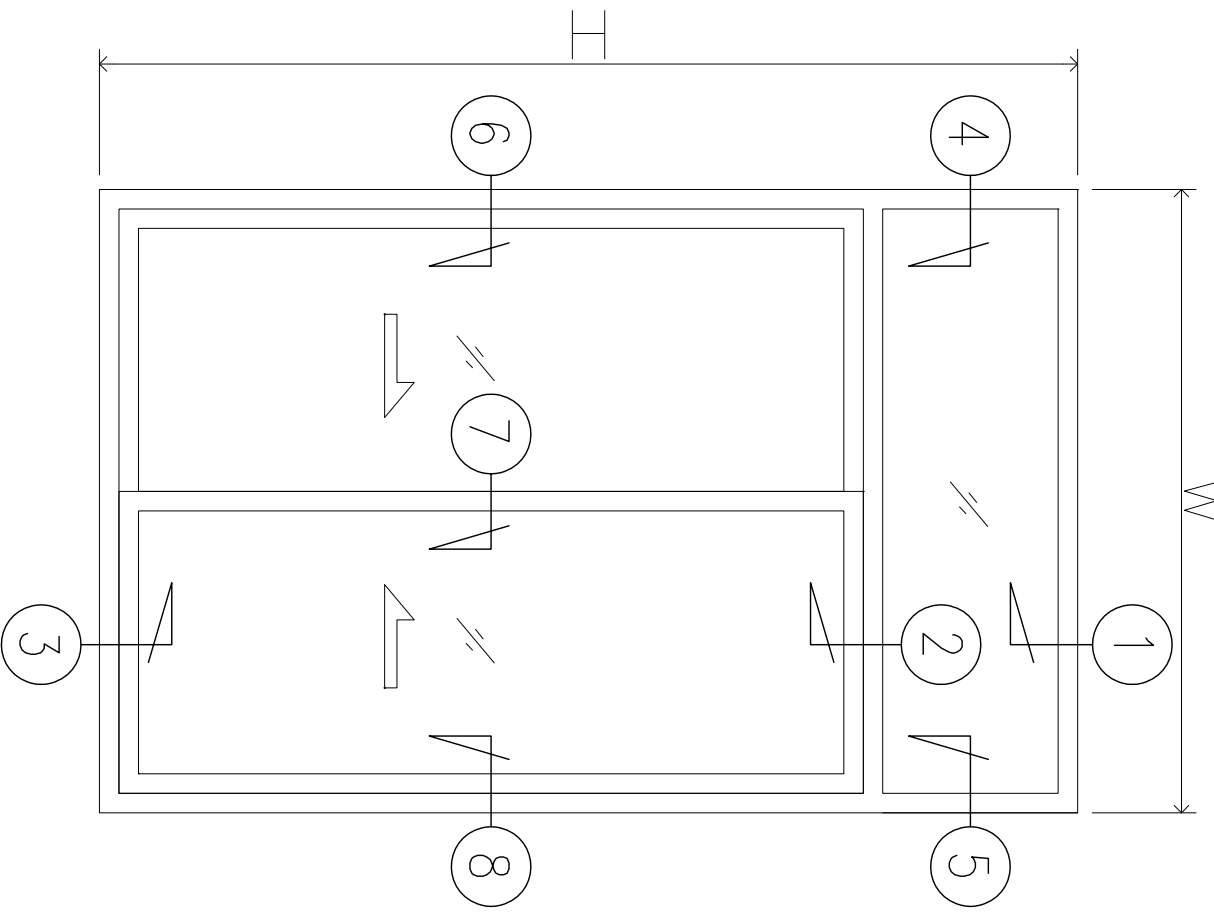
ALUMINIUM CONTRACTOR :
ORM
ALUMINIUM ORN (THAILAND) CO.,LTD.
27/28 Moo 11, Bangma Booneng
Bangkok 10310, Thailand
Tel. : 096-755-8861, 097-755-8864

DRAWING TITLE
**DOOR & WINDOW
TYPICAL STANDARD DETAIL**

NO.	DATE	REVISION DESCRIPTION	APPROVED

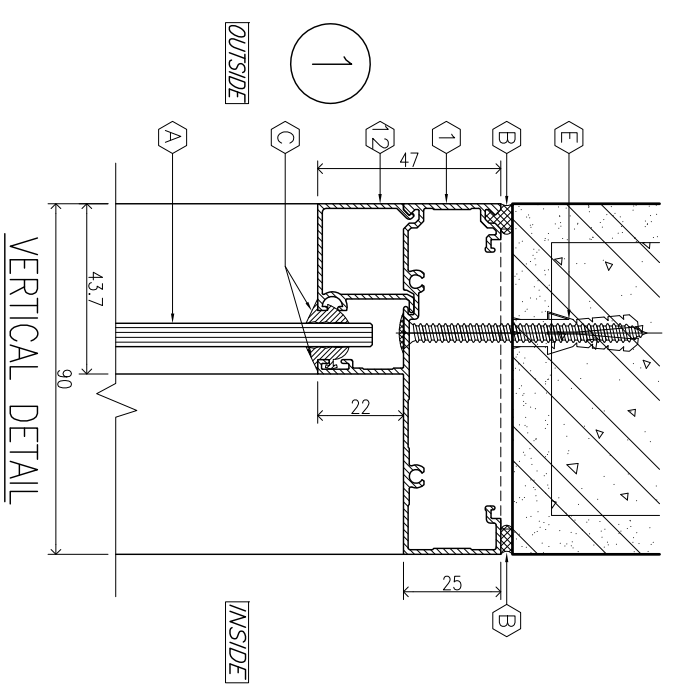
DATE :
DESIGN & DWG : MANIT SRISANGSUNG
CHKD. BY :
SCALE : 1 : 2 (A3)
DRAWING NO. : SD-03A

APPROVED BY

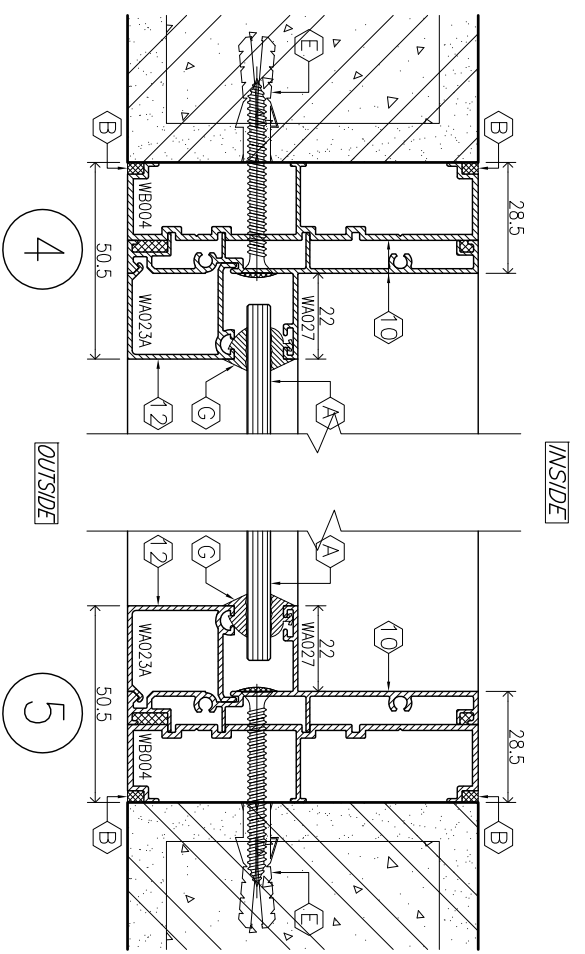


TYPICAL SLIDING DOOR & FIXED ELEVATION

SYMBOL		ALUMINIUM EXTRUDED SECTION ALLOY 6063-T5
①	HEAD SECTION	
②	TRANSOM SECTION	
③	TOPRAIL SECTION	
④	BOTTOMRAIL SECTION	
⑤	SILL SECTION	
⑥	LOCKER STILE SECTION	
⑦	INNER LOCKER STILE SECTION	
⑧	STILE SECTION	
⑨	MULLION SECTION	
⑩	JAMB SECTION	
⑪	SASH SECTION	
⑫	BEAD SECTION	
SYMBOL		ACCESSORIES DOOR & WINDOW
A	GLASS PANELS	
B	SILICONE SEALANT	
C	GLAZING GASKET	
D	BUBBLE GASKET	
E	SCREW & NYLON PLUG	
F	WOOL PILE	
G	ROLLER SLIDING	
H	HANDLE LOCK	
I	CAM LOCK	
J	SETTING BLOCK	

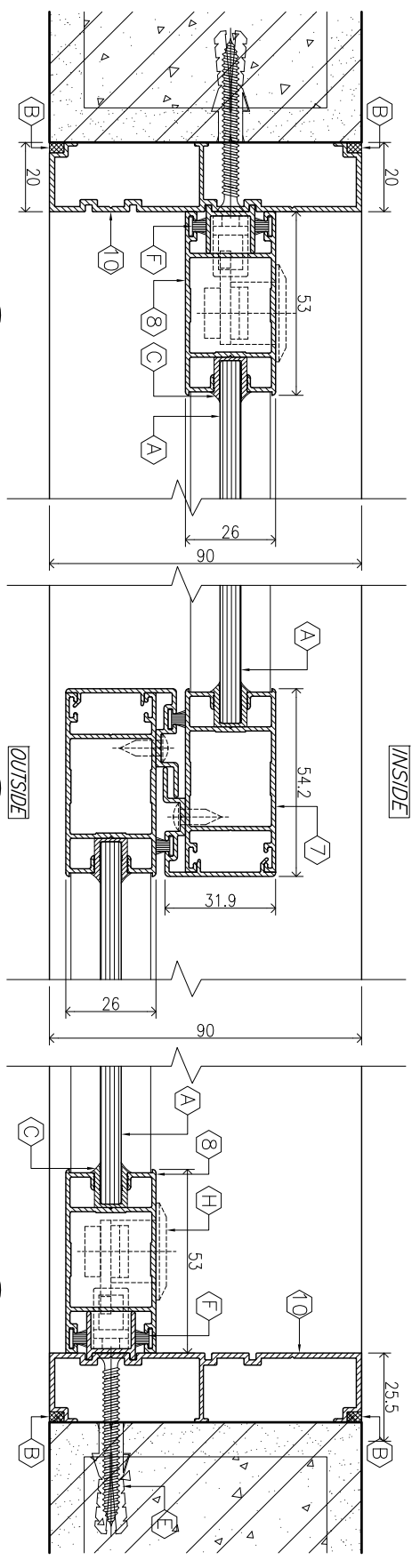


VERTICAL DETAIL



4

5

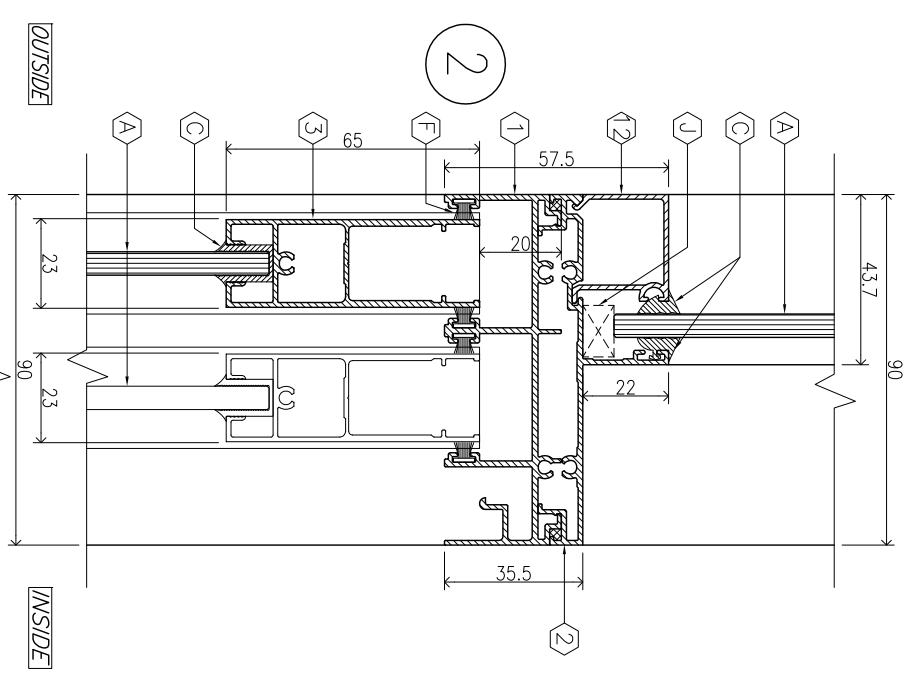


6

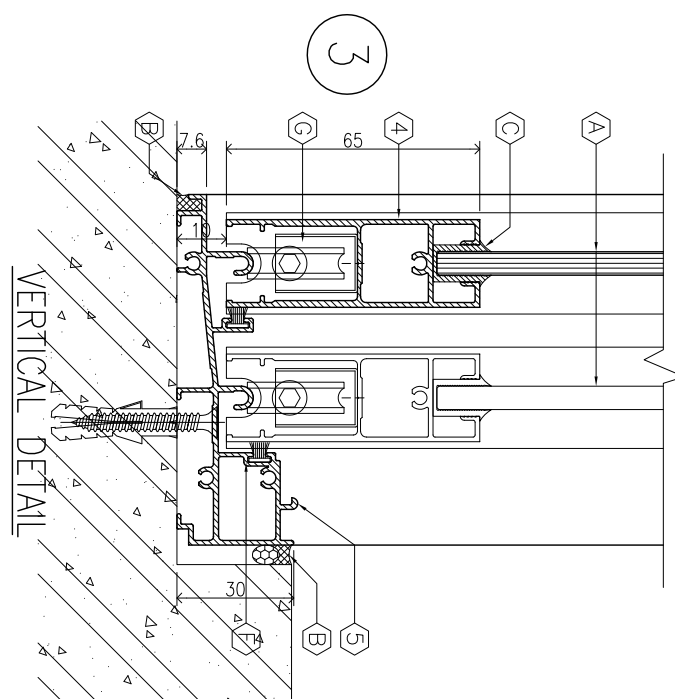
7

8

HORIZONTAL DETAIL



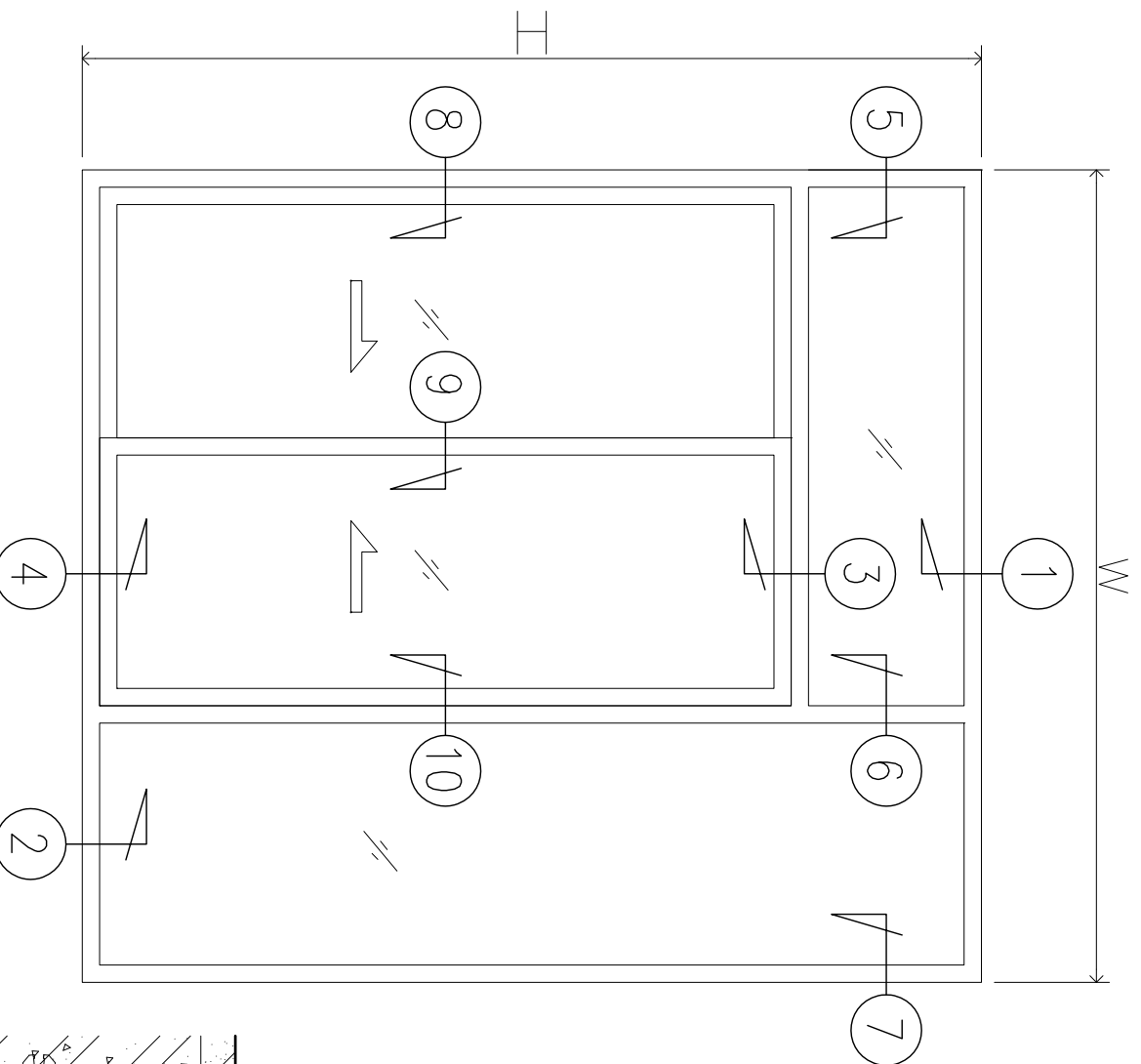
2



3

VERTICAL DETAIL

PROJECT : STANDARD PROJECT
 LOCATION :
 OWNER :
 LOCATION :
 ALUMINIUM CONTRACTOR :
ORM
 ALUMINIUM ORN (THAILAND) CO.,LTD.
 27/28 Moo 11, Bangna-Boonrat Road, Bangna District, Bangkok 10700, Thailand
 Tel. : 08-765-8863, 097-765-8884
 DRAWING TITLE : DOOR & WINDOW TYPICAL STANDARD DETAIL
 REVISION :
 NO. DATE DESCRIPTION APPROVED
 DATE :
 DESIGN & DWN : MANIT SRISANGSUNG ML.4193
 CHKD. BY :
 SCALE : 1 : 2 (A3)
 APPROVED BY :
 DRAWING NO. : SD-04A



SYMBOL	ALUMINIUM EXTRUDED SECTION
1	HEAD SECTION
2	TRANSOM SECTION
3	TOPRAIL SECTION
4	BOTTOMRAIL SECTION
5	SILL SECTION
6	LOCKER STILE SECTION
7	INTER LOCKER STILE SECTION
8	STILE SECTION
9	MULLION SECTION
10	JAMB SECTION
11	SASH SECTION
12	BEAD SECTION

SYMBOL	ACCESSORIES DOOR & WINDOW
A	GLASS PANELS
B	SILICONE SEALANT
C	GLAZING GASKET
D	BUBBLE GASKET
E	SCREW & NYLON PLUG
F	WOOL PILE
G	ROLLER SLIDING
H	HANDLE LOCK
I	CAM LOCK
J	SETTING BLOCK

PROJECT : **STANDARD PROJECT**

OWNER :

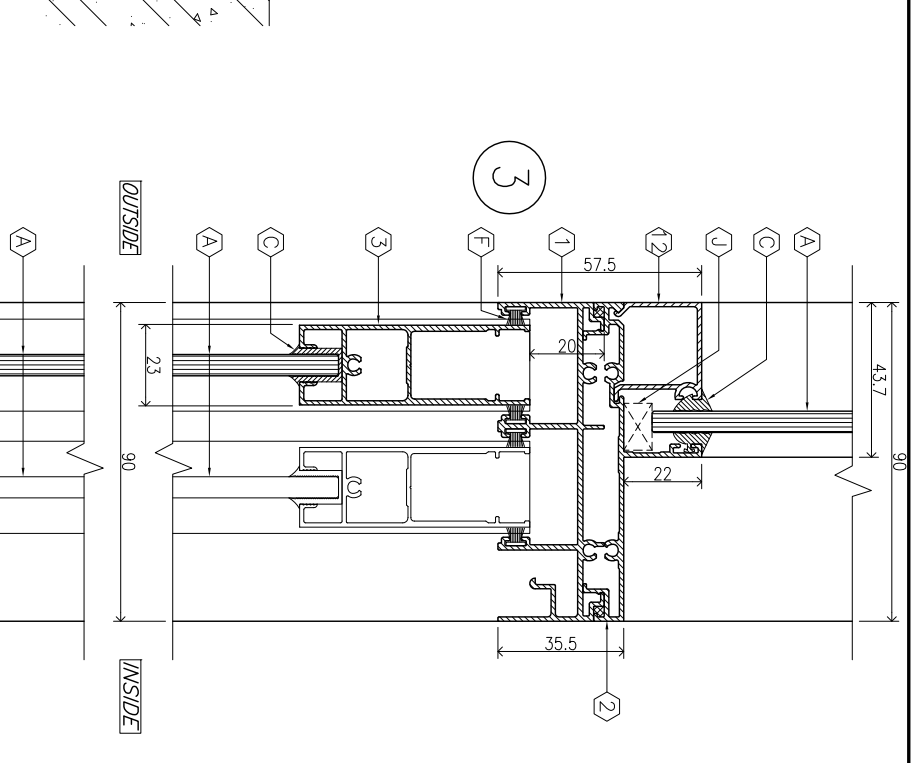
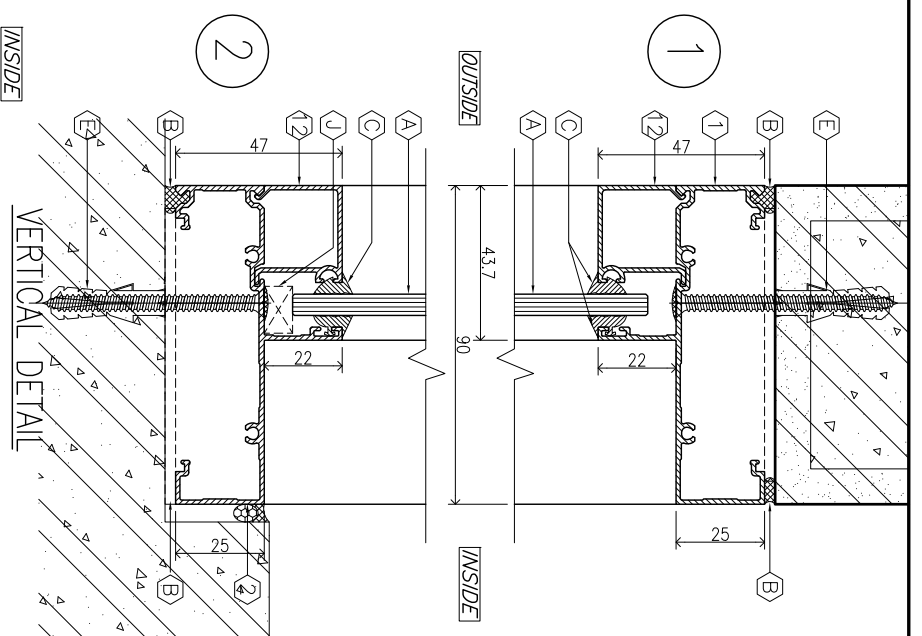
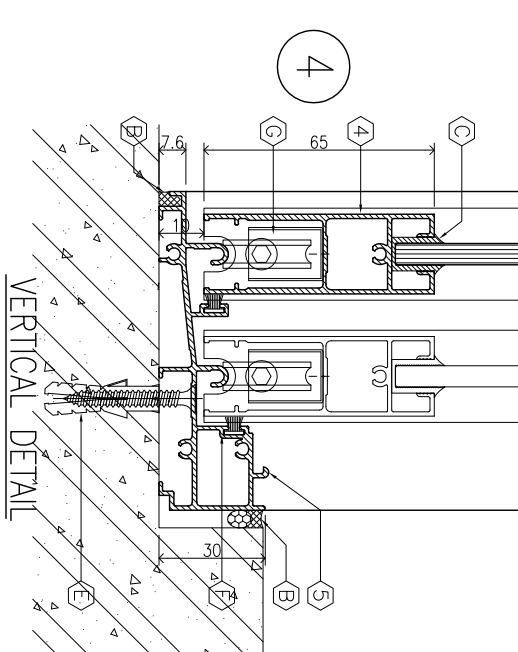
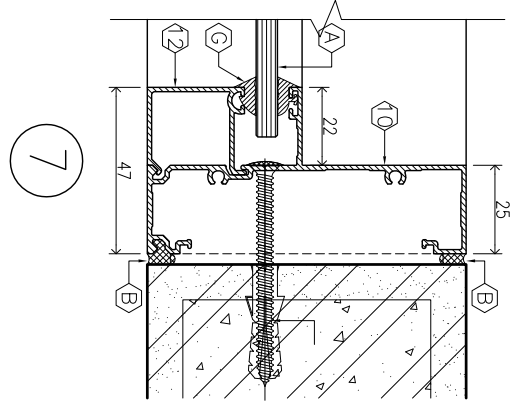
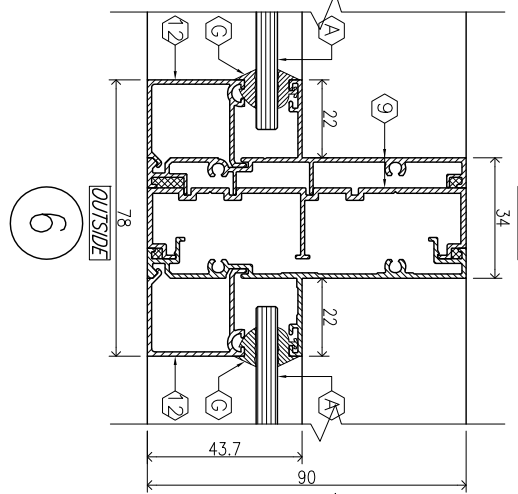
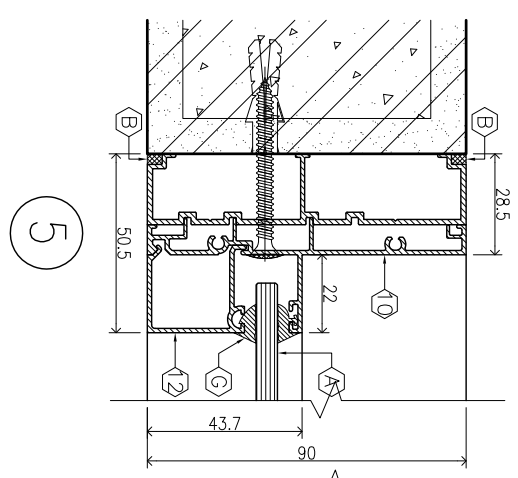
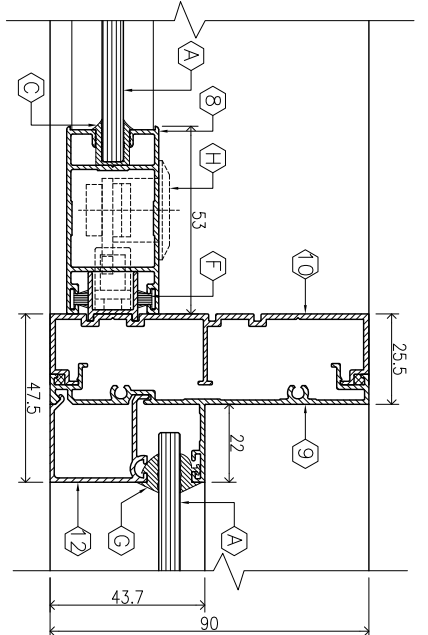
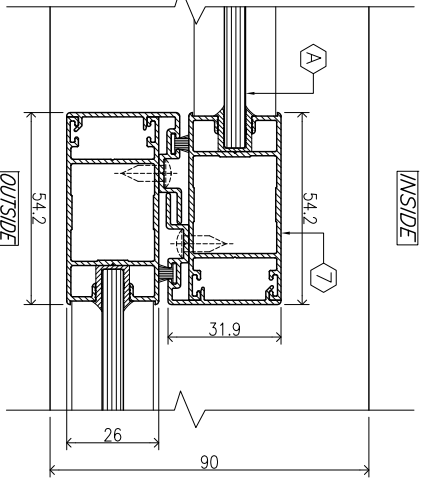
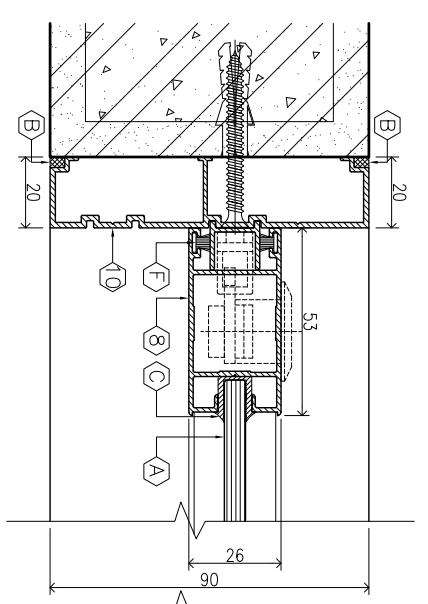
ALUMINIUM CONTRACTOR :

ALUMINIUM ORAM (THAILAND) CO.,LTD.
27/28 Moo 11, Rama 9 rd,
Bangkok 10310, Thailand
Tel. : 09-765-883, 09-765-884

DRAWING TITLE
**DOOR & WINDOW
TYPICAL STANDARD DETAIL**

NO.	DATE	REVISION		APPROVED
		DESCRIPTION		

DATE :
DESIGN & DWN : MANIT SRISANGSUNG ML.4193
CHKD. BY :
SCALE : 1 : 2.2 (A3)



HORIZONTAL DETAIL

VERTICAL DETAIL

VERTICAL DETAIL

APPROVED BY

DRAWING NO.
SD-05A