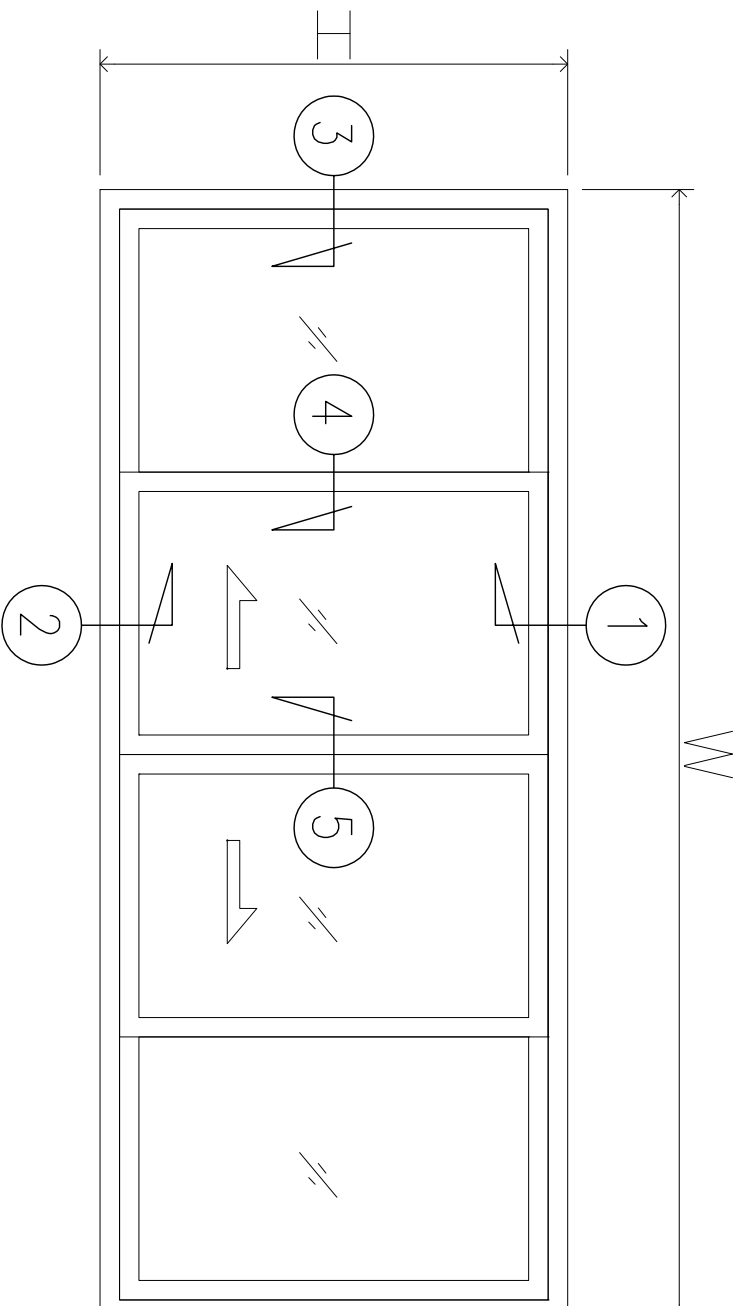


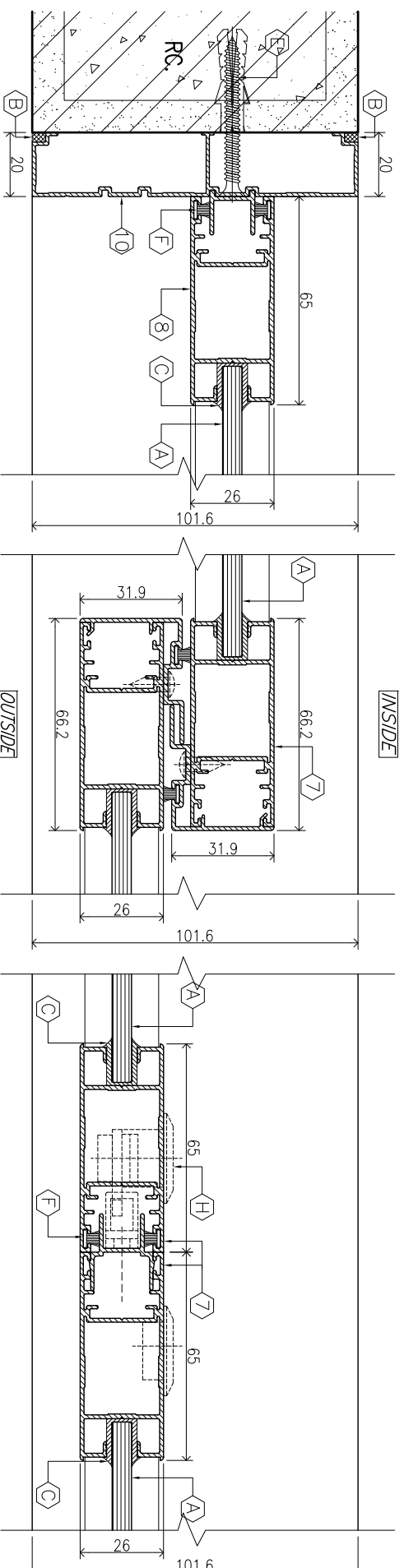
20-<sup>o</sup>ଶିକ୍ଷା ବା <sup>o</sup>ସ୍ତ୍ରୀ 4<sup>o</sup>ଶିକ୍ଷା 2<sup>o</sup>ଶିକ୍ଷା

SYMBOL	DESCRIPTION
ALUMINIUM EXTRUDED SECTION	ALUMINIUM EXTRUDED SECTION
ALLOY 6063-T5	ALLOY 6063-T5
①	HEAD SECTION
②	TRANSOM SECTION
③	TOPRAIL SECTION
④	BOTTOMRAIL SECTION
⑤	SILL SECTION
⑥	LOCKER STILE SECTION
⑦	INNER LOCKER STILE SECTION
⑧	STILE SECTION
⑨	MULLION SECTION
⑩	JAMB SECTION
⑪	SASH SECTION
⑫	BEAD SECTION

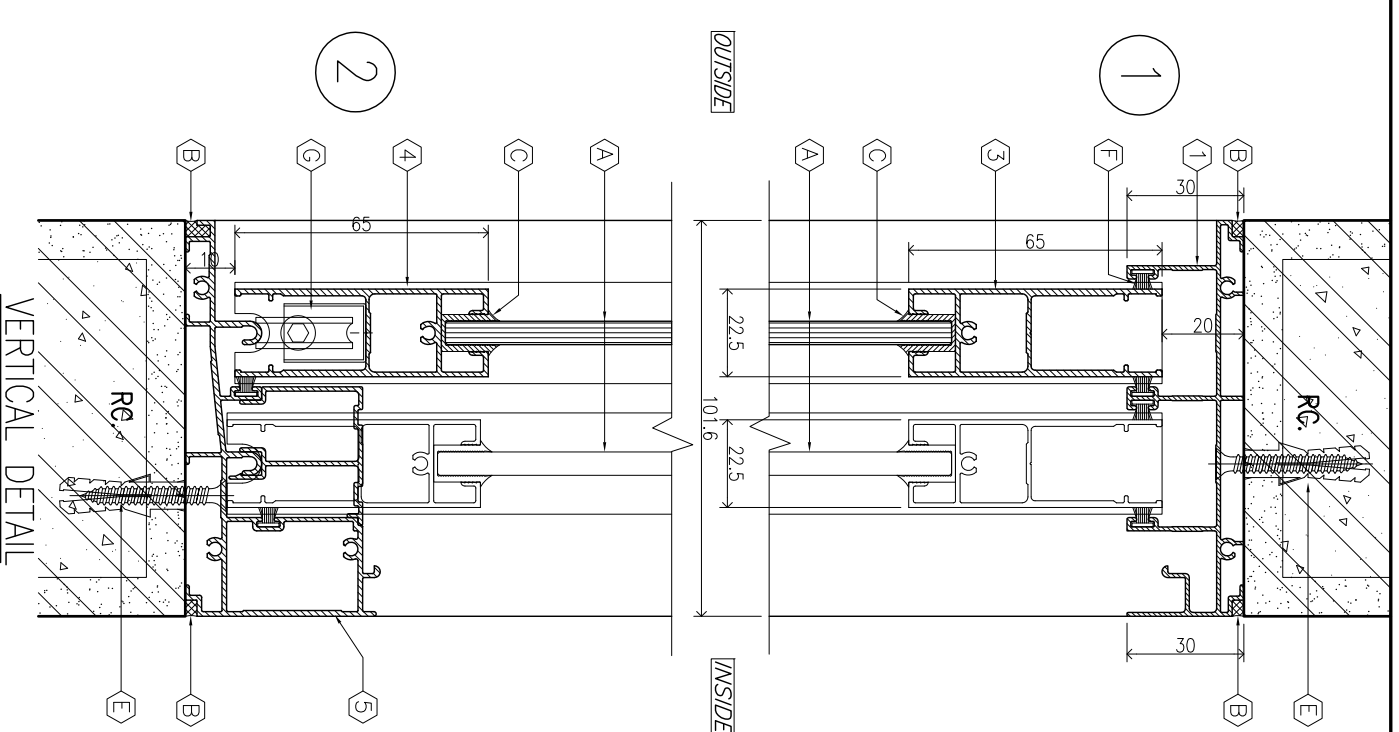
SYMBOL	DESCRIPTION
A	GLASS PANELS
B	SILICONE SEALANT
C	GLAZING GASKET
D	BUBBLE GASKET
E	SCREW & NYLON PLUG
F	WOOL PILE
G	ROLLER SLIDING
H	HANDLE LOCK
I	CAM LOCK
J	SETTING BLOCK



TYPICAL SLIDING WINDOW ELEVATION



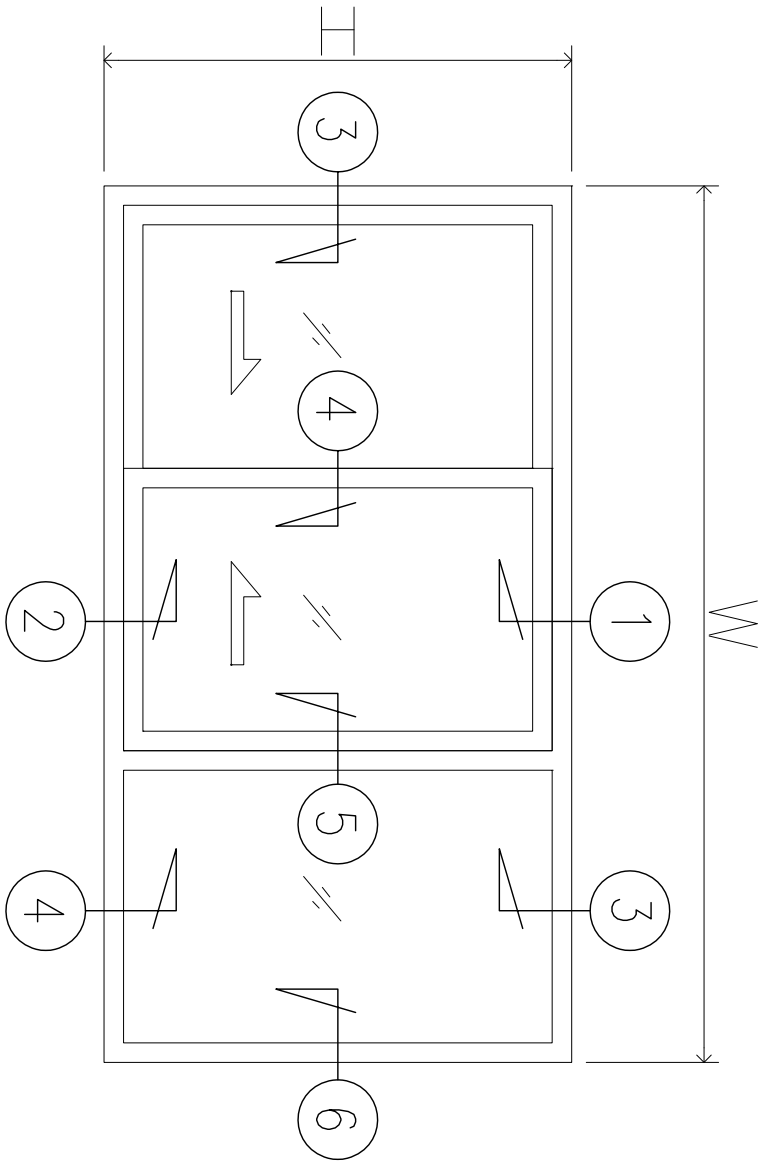
HORIZONTAL DETAIL



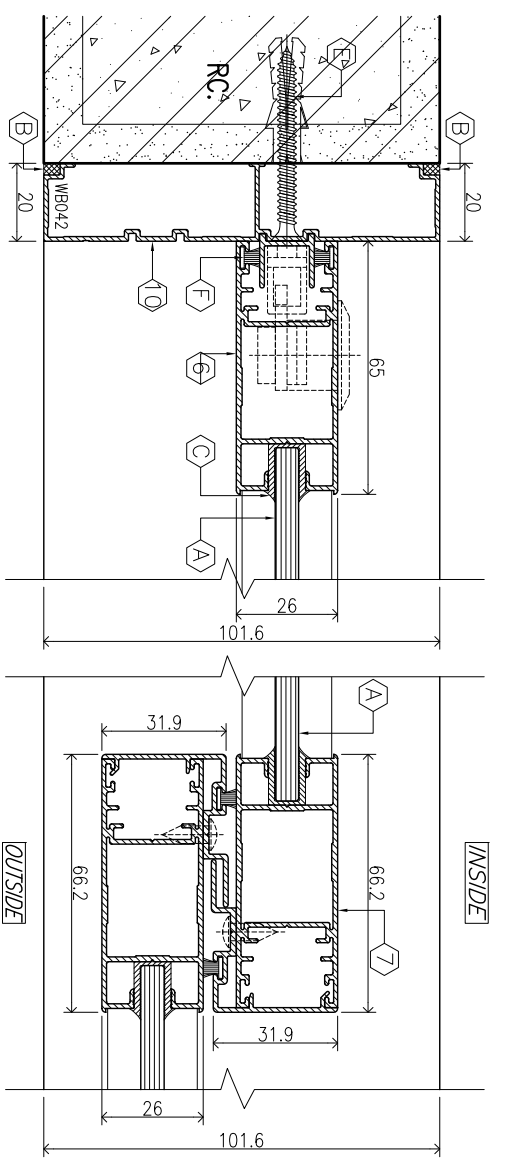
VERTICAL DETAIL

PROJECT : <b>STANDARD PROJECT</b> LOCATION :	OWNER : ALUMINIUM CONTRACTOR : <div style="text-align: center;">   <b>ORM</b>  <small>ALUMINIUM ORAM (THAILAND) CO.,LTD.</small>  <small>27/28 Moo 11, Bangna-Boonmee Road, Bangna District, Bangkok 10700, Thailand</small>  <small>Tel. : 096-765-8363, 093-765-8364</small> </div>
DRAWING TITLE <b>DOOR &amp; WINDOW</b> <b>TYPICAL STANDARD DETAIL</b>	
NO.      DATE      DESCRIPTION      APPROVED	DATE : DESIGN & DWN : <b>MANIT SRISANGSUNG</b> <small>ML.4193</small> CHKD. BY : SCALE : <b>1 : 2 (A3)</b>
APPROVED BY : <b>SWW-01</b>	

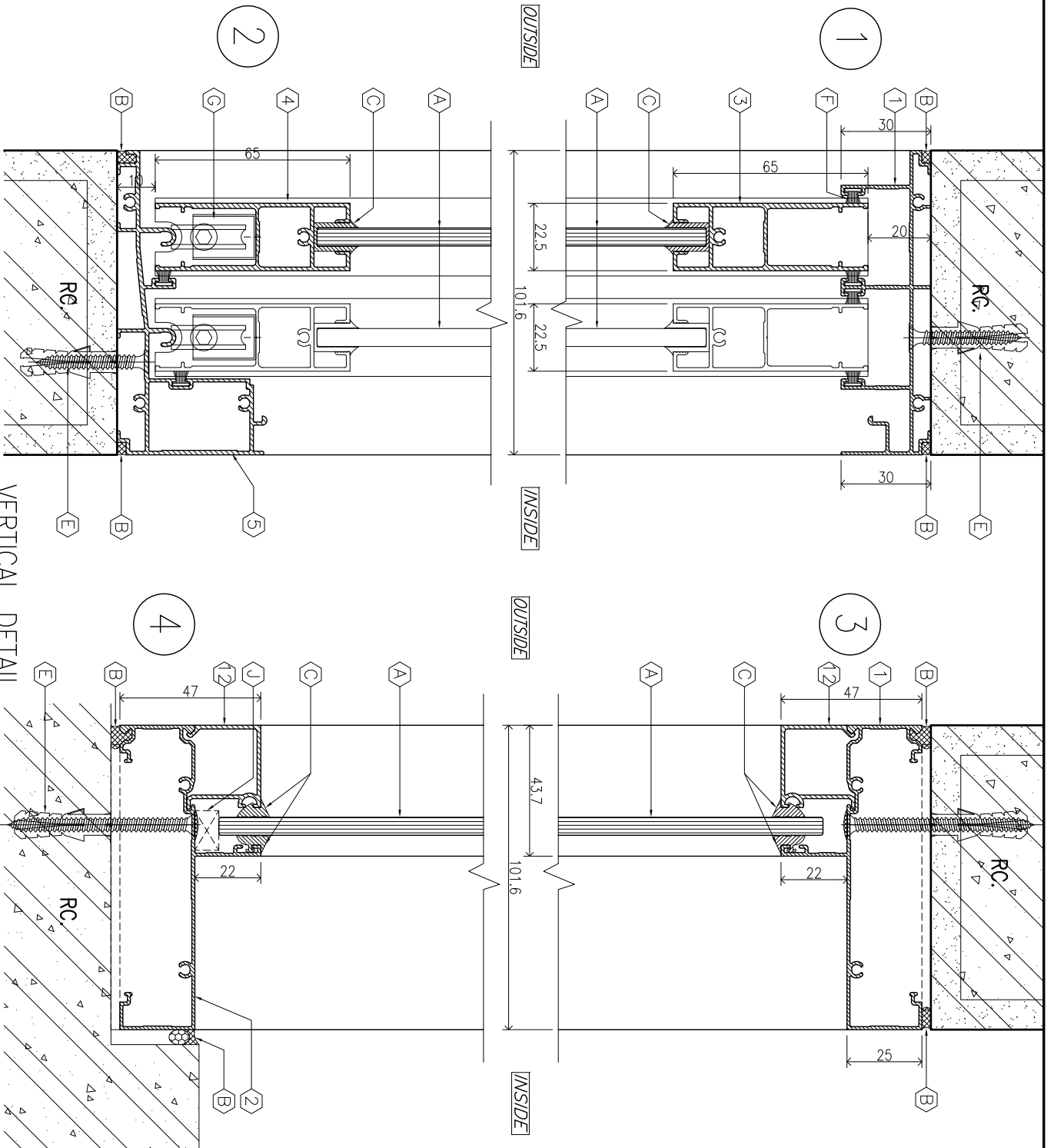
ALUMINIUM EXTRUDED SECTION
ALLOY 6063-T5
1 HEAD SECTION
2 TRANSOM SECTION
3 TOPRAIL SECTION
4 BOTTOMRAIL SECTION
5 SILL SECTION
6 LOCKER STILE SECTION
7 INNER LOCKER STILE SECTION
8 STILE SECTION
9 MULLION SECTION
10 JAMB SECTION
11 SASH SECTION
12 BEAD SECTION
ACCESSORIES
DOOR & WINDOW
A GLASS PANELS
B SILICONE SEALANT
C GLAZING GASKET
D BUBBLE GASKET
E SCREW & NYLON PLUG
F WOOL PILE
G ROLLER SLIDING
H HANDLE LOCK
I CAM LOCK
J SETTING BLOCK



TYPICAL SLIDING WINDOW & FIXED ELEVATION



HORIZONTAL DETAIL



VERTICAL DETAIL

PROJECT : **STANDARD PROJECT**      OWNER :      ALUMINIUM CONTRACTOR : **ORM**

LOCATION :      LOCATION :      DRAWING TITLE : **DOOR & WINDOW TYPICAL STANDARD DETAIL**

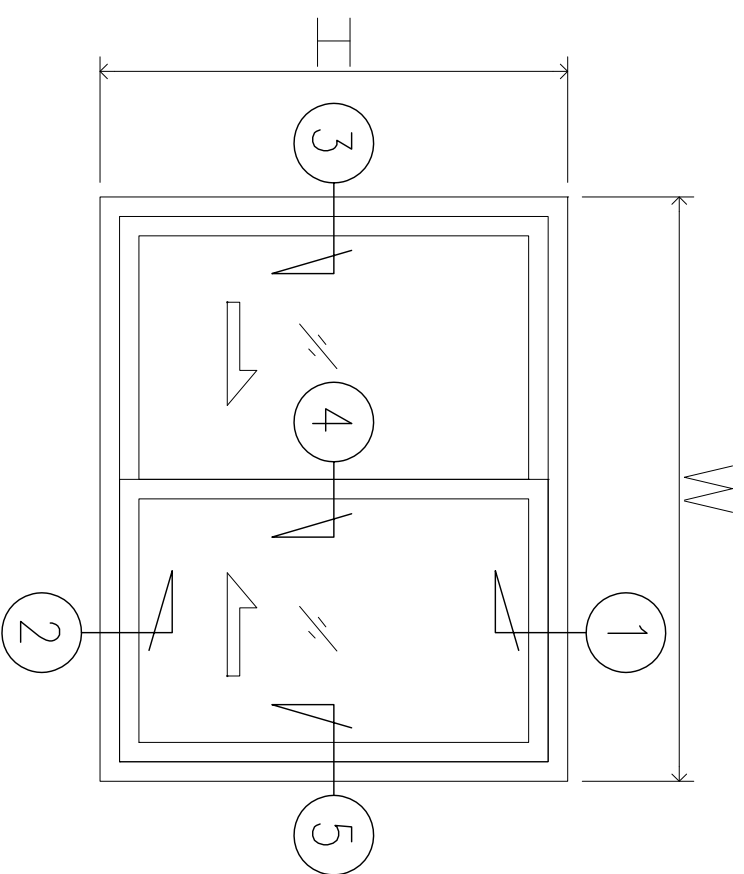
NO.	DATE	REVISION DESCRIPTION	APPROVED

DATE :      DESIGN & DWN : **MANIT SRSANSUNG ML.4193**      APPROVED BY :      DRAWING NO. : **SWW-02**

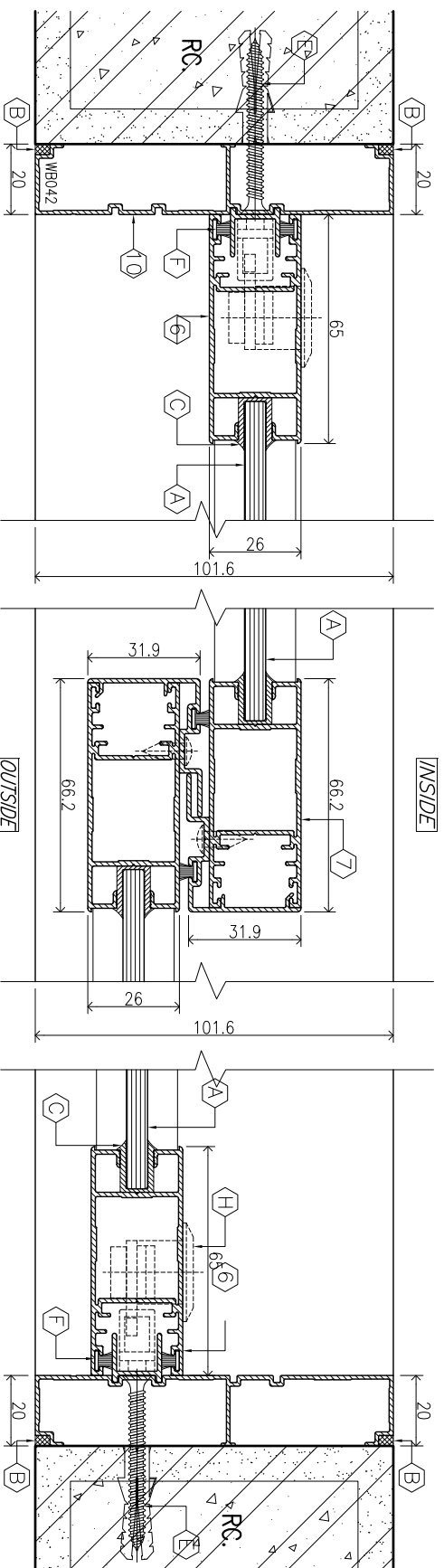
CHKD. BY :      SCALE : **1 : 2 (A3)**

SYMBOL	DESCRIPTION
①	ALUMINIUM EXTRUDED SECTION ALLOY 6063-T5
②	HEAD SECTION
③	TRANSOM SECTION
④	TOPRAIL SECTION
⑤	BOTTOMRAIL SECTION
⑥	SILL SECTION
⑦	LOCKER STILE SECTION
⑧	INNER LOCKER STILE SECTION
⑨	MULLION SECTION
⑩	JAMB SECTION
⑪	SASH SECTION
⑫	BEAD SECTION

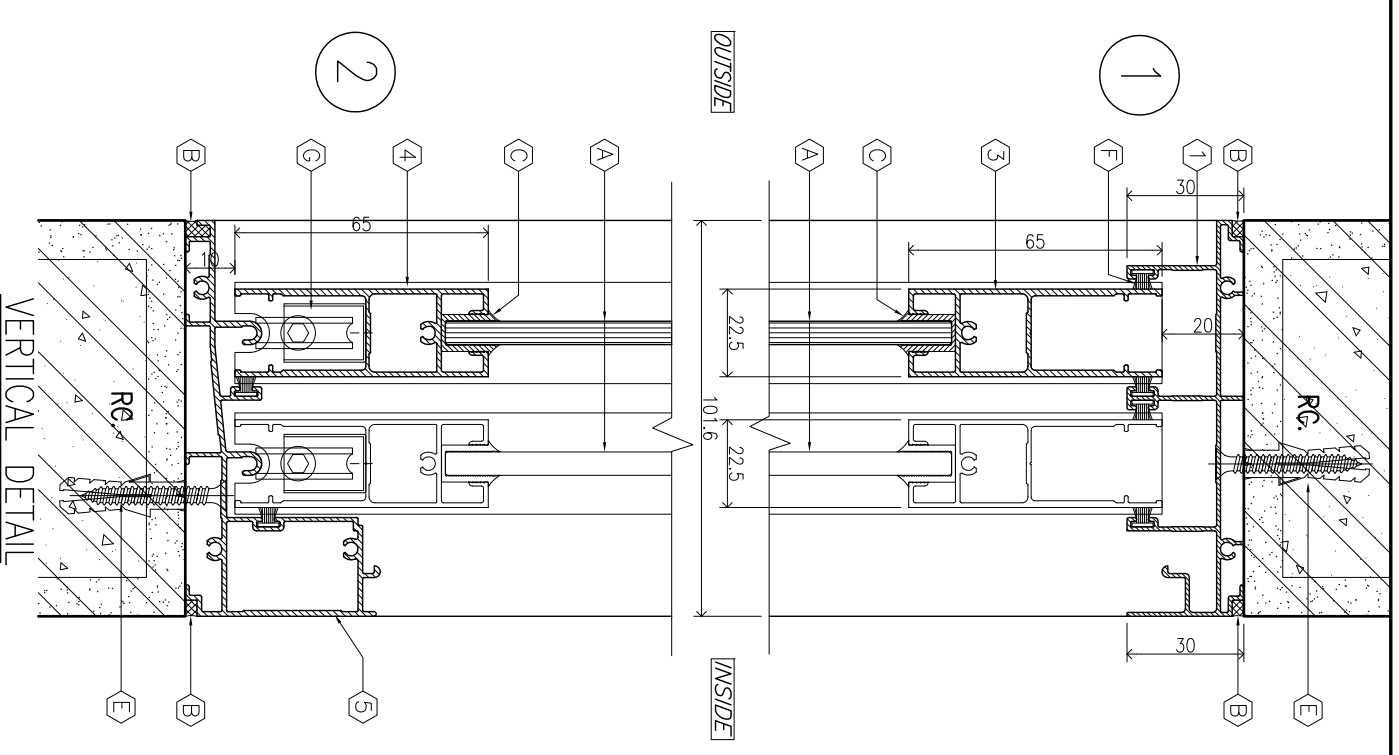
SYMBOL	DESCRIPTION
A	ACCESSORIES DOOR & WINDOW
B	GLASS PANELS
C	SILICONE SEALANT
D	GLAZING GASKET
E	BUBBLE GASKET
F	SCREW & NYLON PLUG
G	WOOL PILE
H	ROLLER SLIDING
I	HANDLE LOCK
J	CAM LOCK
K	SETTING BLOCK



TYPICAL SLIDING WINDOW ELEVATION



HORIZONTAL DETAIL



VERTICAL DETAIL

PROJECT :  
**STANDARD PROJECT**

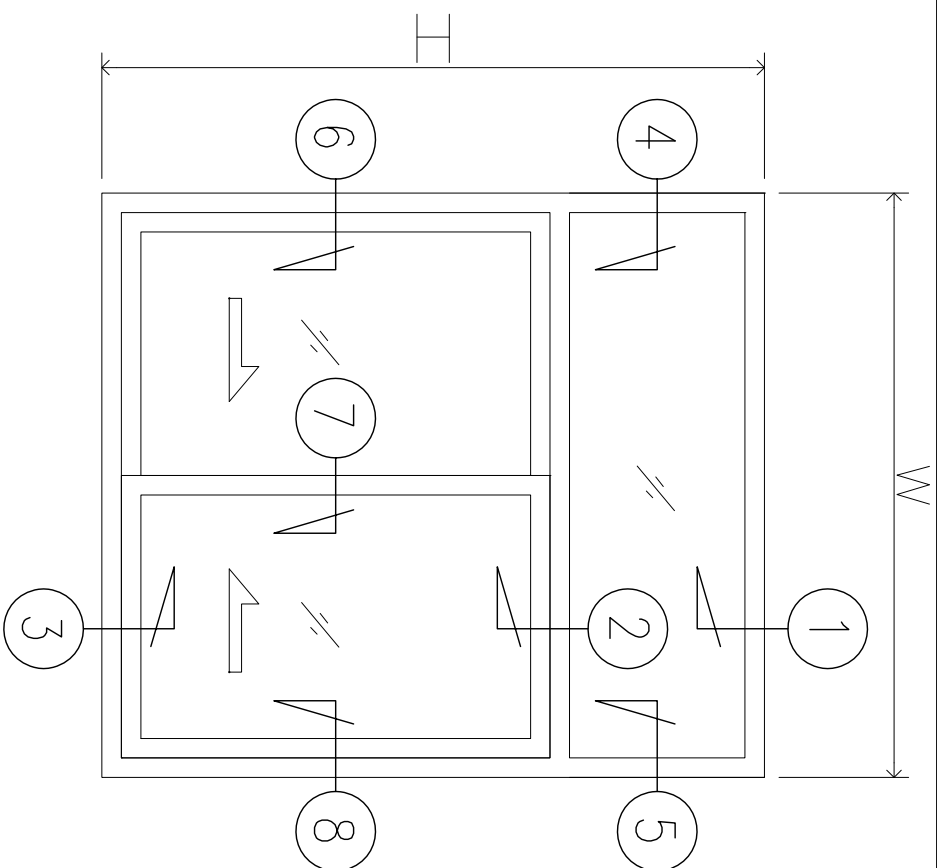
OWNER :  
LOCATION :

ALUMINIUM CONTRACTOR :  
**ORM**  
ALUMINIUM ORN (THAILAND) CO., LTD.  
27/28 Moo 111, Bangma Boengye  
Bangma Boengye, Bangma Boengye  
Tel. : 096-755-8363, 093-755-8364

DRAWING TITLE  
**DOOR & WINDOW  
TYPICAL STANDARD DETAIL**

NO.	DATE	REVISION DESCRIPTION	APPROVED

DATE :  
DESIGN & DWN : MANIT SRISANGSUNG ML.4193  
CHKD. BY :  
SCALE : 1 : 2 (A3)  
APPROVED BY :  
DRAWING NO. : **SWW-03**

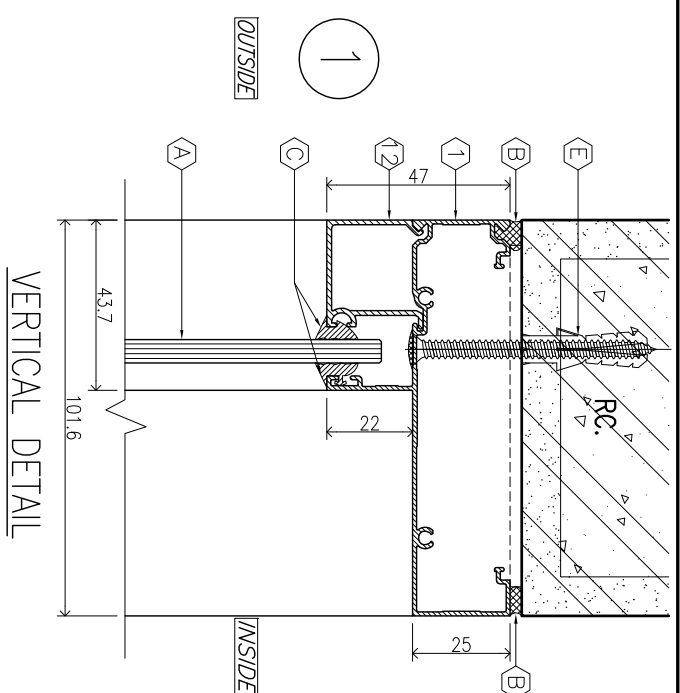


TYPICAL SLIDING WINDOW & FIXED ELEVATION

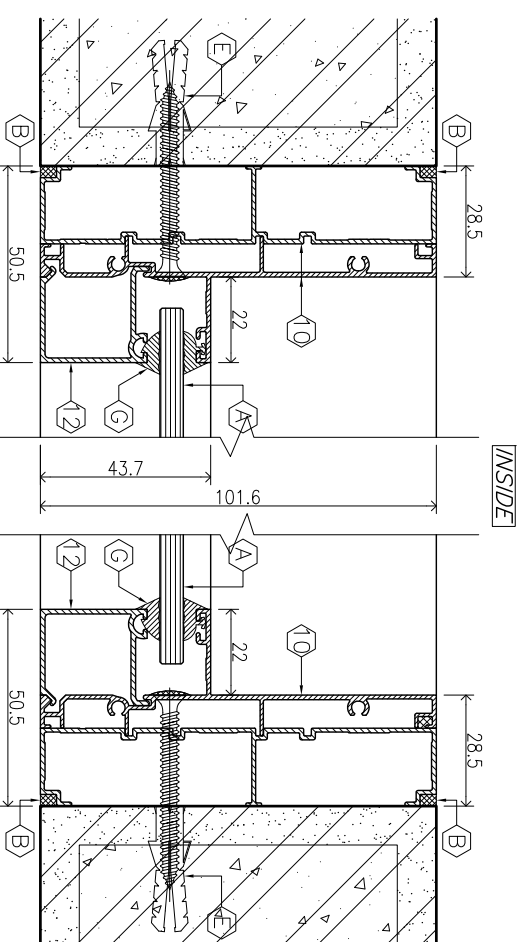
SYMBOL	ALUMINIUM EXTRUDED SECTION ALLOY 6063-T5
①	HEAD SECTION
②	TRANSOM SECTION
③	TOPRAIL SECTION
④	BOTTOMRAIL SECTION
⑤	SILL SECTION
⑥	LOCKER STILE SECTION
⑦	INNER LOCKER STILE SECTION
⑧	STILE SECTION
⑨	MULLION SECTION
⑩	JAMB SECTION
⑪	SASH SECTION
⑫	BEAD SECTION

SYMBOL	ACCESSORIES DOOR & WINDOW
Ⓐ	GLASS PANELS
Ⓑ	SILICONE SEALANT
Ⓒ	GLAZING GASKET
Ⓓ	BUBBLE GASKET
Ⓔ	SCREW & NYLON PLUG
Ⓕ	WOOL PILE
Ⓖ	ROLLER SLIDING
Ⓗ	HANDLE LOCK
Ⓘ	CAM LOCK
Ⓝ	SETTING BLOCK

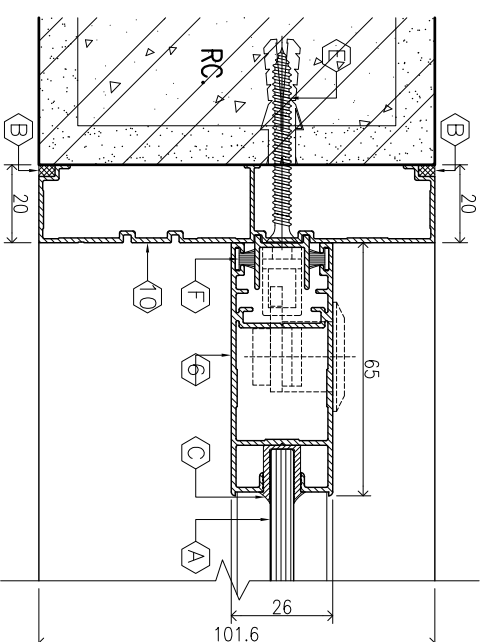


VERTICAL DETAIL

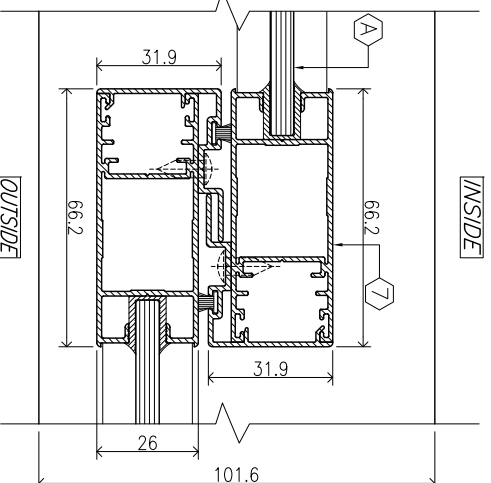


INSIDE

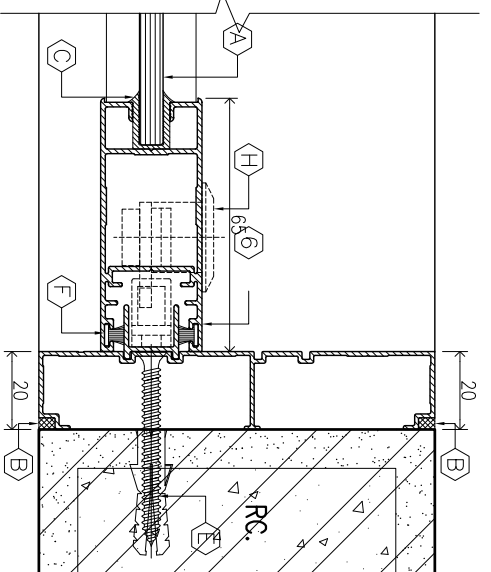
OUTSIDE



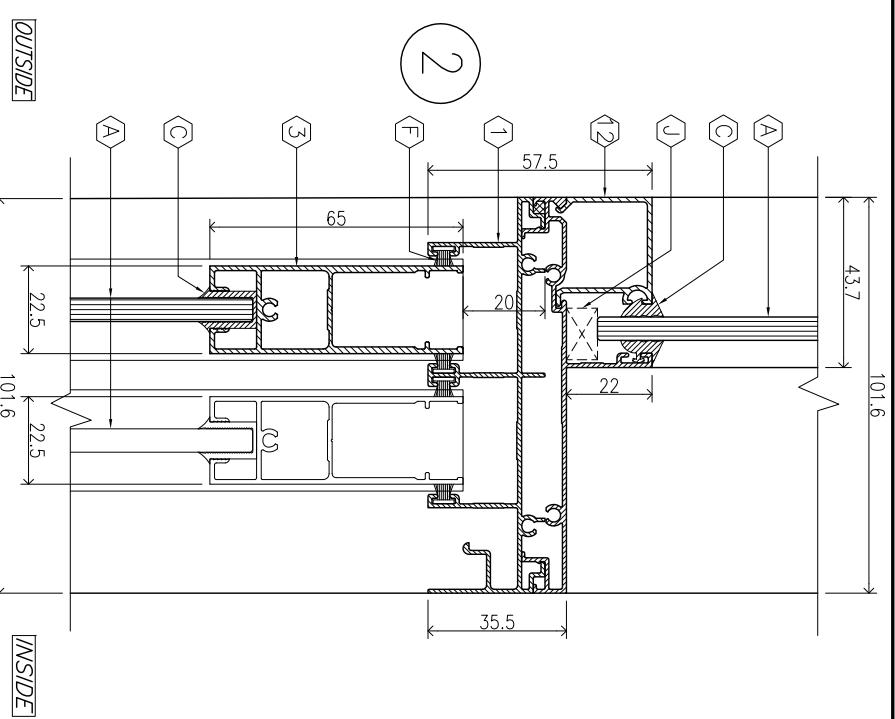
⑥



⑦

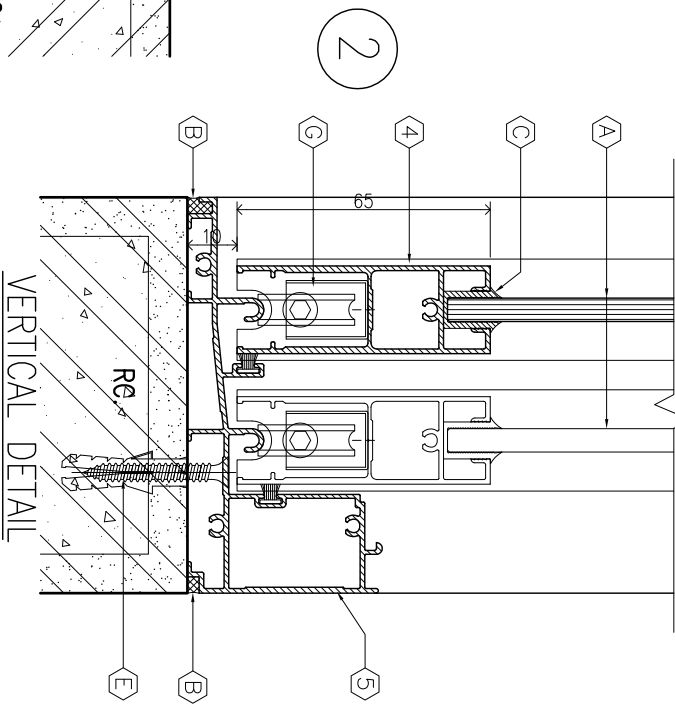


⑧



OUTSIDE

INSIDE



VERTICAL DETAIL

HORIZONTAL DETAIL

PROJECT : STANDARD PROJECT

OWNER :

ALUMINIUM CONTRACTOR :

ALUMINIUM ORN (THAILAND) CO.,LTD.  
 27/28 Moo 11, Bangma Boengye  
 Bangma Boengye, Bangma Boengye  
 Tel. : 09-765-843, 09-765-884

DRAWING TITLE : DOOR & WINDOW TYPICAL STANDARD DETAIL

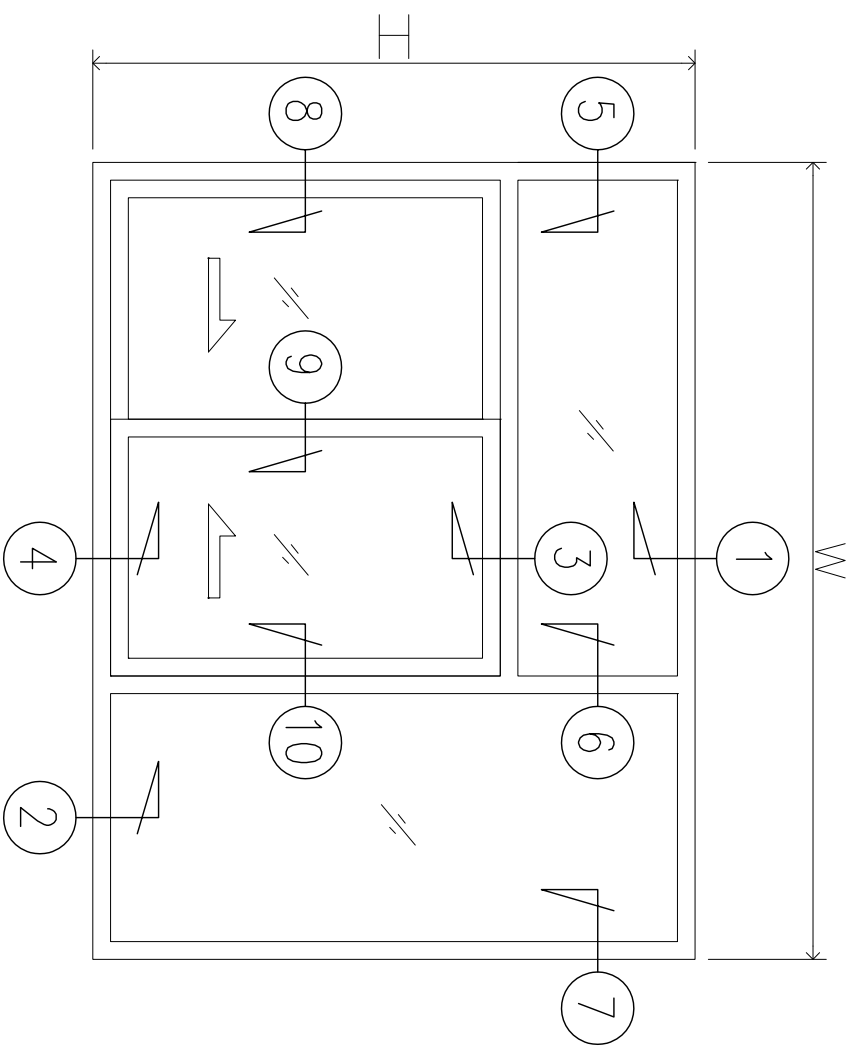
NO.	DATE	REVISION DESCRIPTION	APPROVED

DATE : DESIGN & DWN : MANIT SRISANGSUNG ML.4193

CHKD. BY :

SCALE : 1 : 2 (A3)

APPROVED BY : DRAWING NO. SWW-04

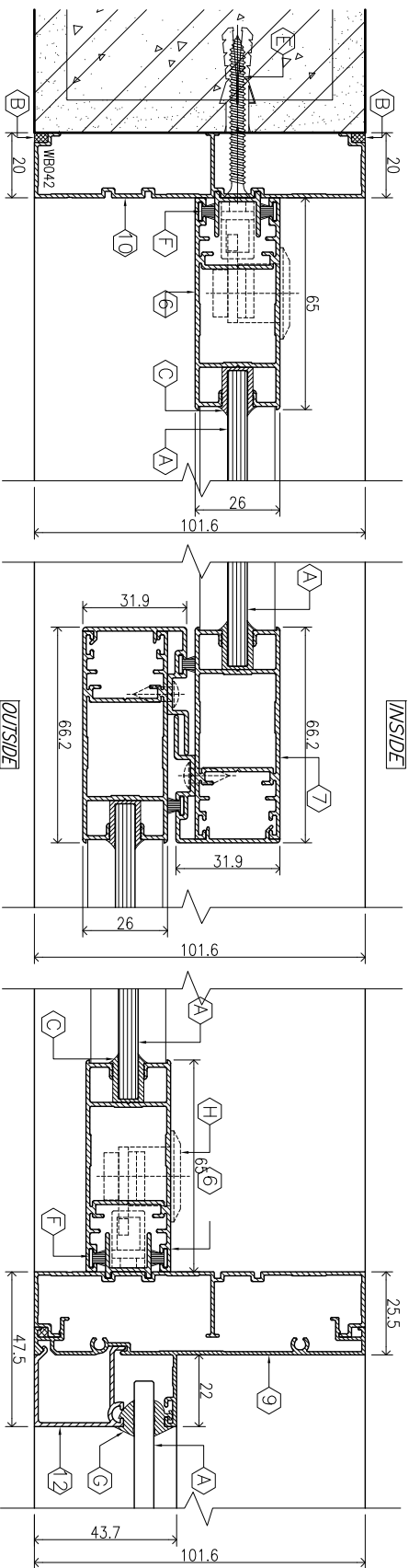
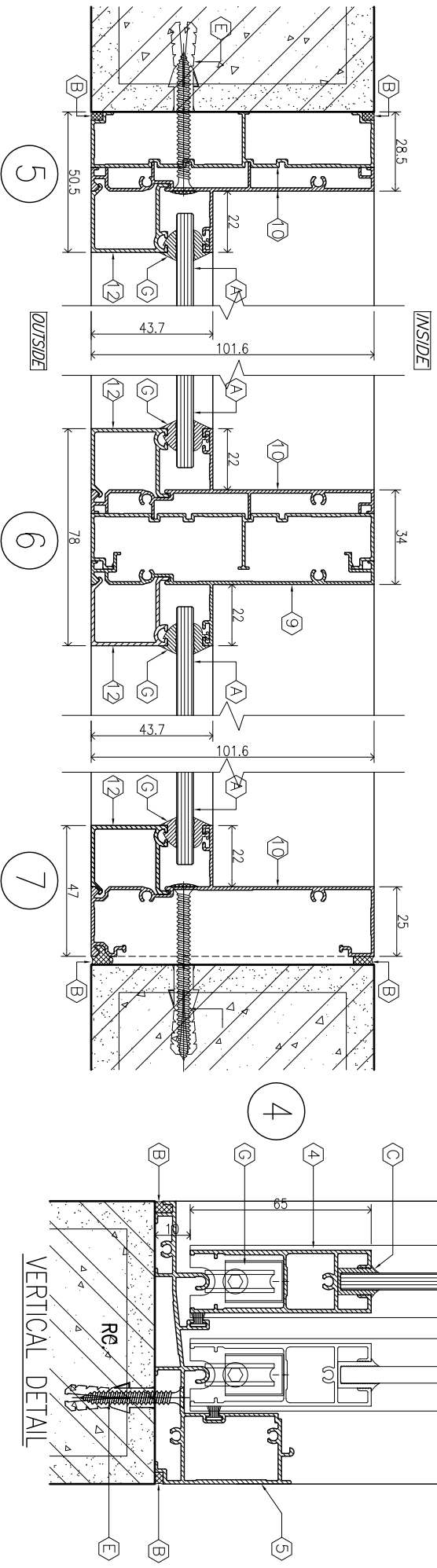
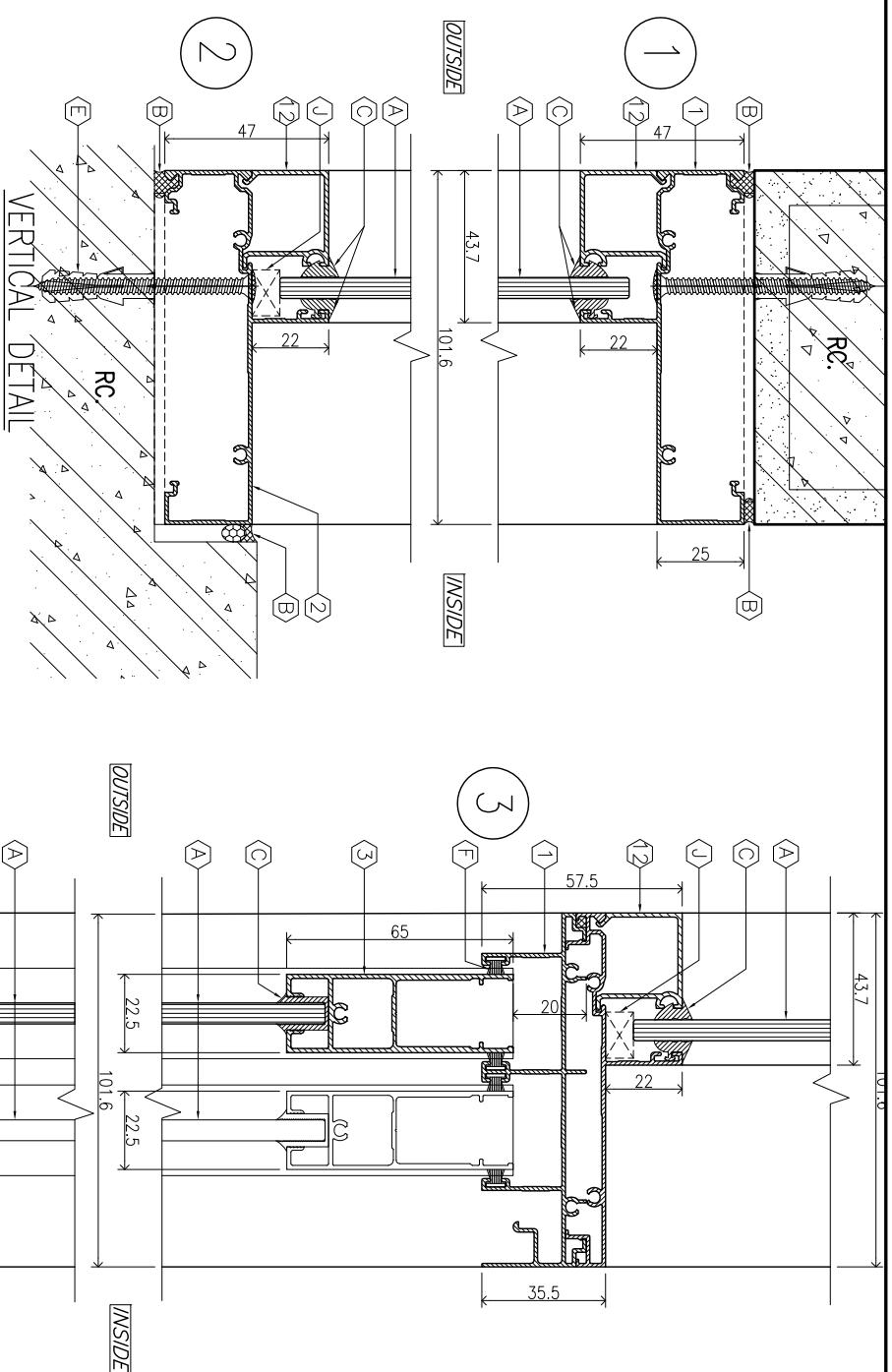


TYPICAL SLIDING WINDOW & FIXED ELEVATION

SYMBOL	ACCESSORIES DOOR & WINDOW
A	GLASS PANELS
B	SILICONE SEALANT
C	GLAZING GASKET
D	BUBBLE GASKET
E	SCREW & NYLON PLUG
F	WOOL PILE
G	ROLLER SLIDING
H	HANDLE LOCK
I	CAM LOCK
J	SETTING BLOCK

SYMBOL	ALUMINIUM EXTRUDED SECTION ALLOY 6063-T5
1	HEAD SECTION
2	TRANSOM SECTION
3	TOPRAIL SECTION
4	BOTTOMRAIL SECTION
5	SILL SECTION
6	LOCKER STILE SECTION
7	INNER LOCKER STILE SECTION
8	STILE SECTION
9	MULLION SECTION
10	JAMB SECTION
11	SASH SECTION
12	BEAD SECTION



HORIZONTAL DETAIL

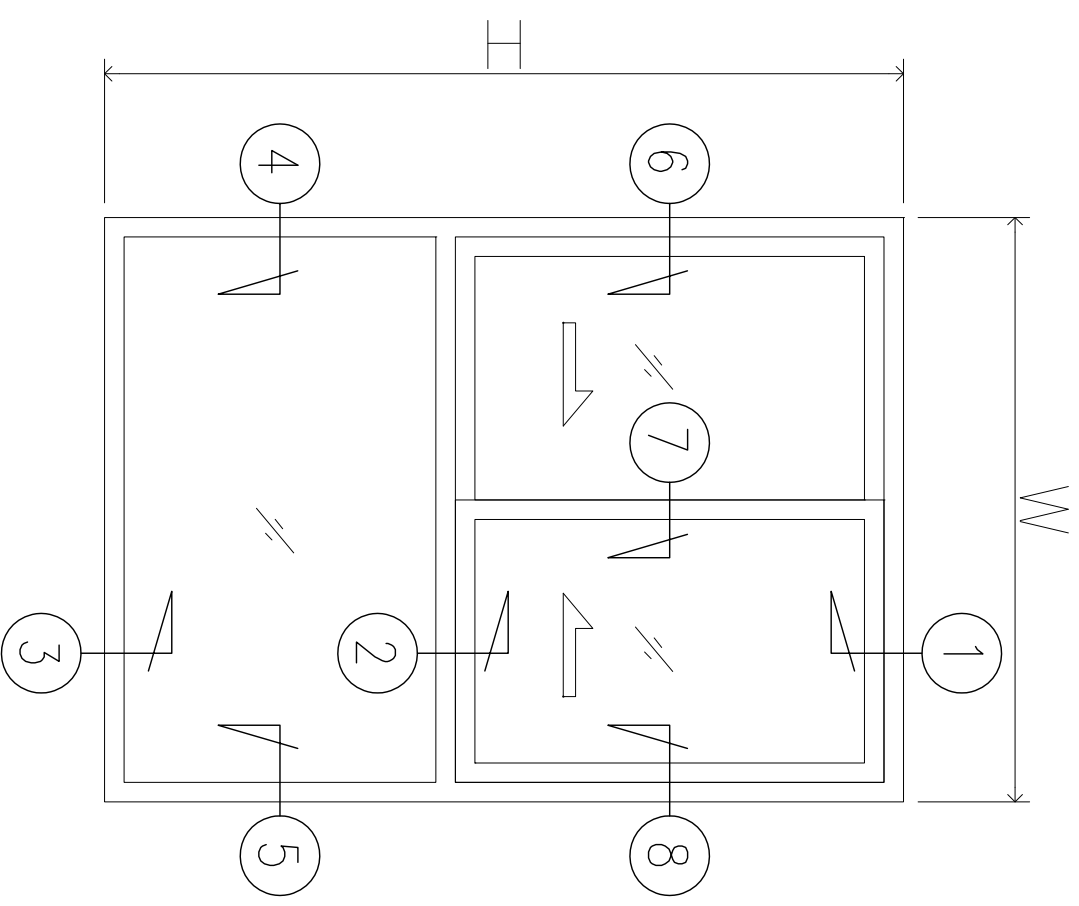
PROJECT : **STANDARD PROJECT**      OWNER :      ALUMINIUM CONTRACTOR : **ORM**      DRAWING TITLE : **DOOR & WINDOW TYPICAL STANDARD DETAIL**

LOCATION :      LOCATION :      ALUMINIUM CONTRACTOR : **ORM**      DRAWING NO. : **SWW-05**

ALUMINIUM CONTRACTOR : **ORM**      ALUMINIUM CO., LTD. (THAILAND) CO., LTD.      27/28 Moo 11, Bangna-Boonrat Road, Bangna District, Bangkok 10700, Thailand      Tel. : 096-765-8863, 093-765-8864

NO.	DATE	REVISION DESCRIPTION	APPROVED

DATE :      DESIGN & DWN : **MANIT SRSANGSUNG**      APPROVED BY :      CHKD. BY :      SCALE : **1 : 2.2 (A3)**

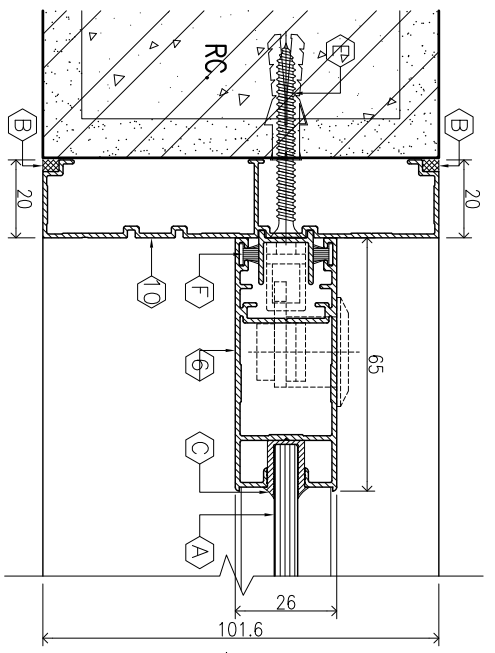


TYPICAL SLIDING WINDOW & FIXED ELEVATION

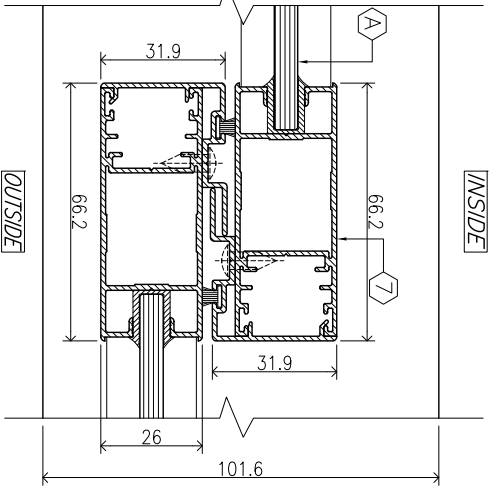
SYMBOL	DESCRIPTION
①	ALUMINIUM EXTRUDED SECTION ALLOY 6063-T5
②	HEAD SECTION
③	TRANSOM SECTION
④	TOPRAIL SECTION
⑤	BOTTOMRAIL SECTION
⑥	SILL SECTION
⑦	LOCKER STILE SECTION
⑧	INNER LOCKER STILE SECTION
⑨	MULLION SECTION
⑩	JAMB SECTION
⑪	SASH SECTION
⑫	BEAD SECTION

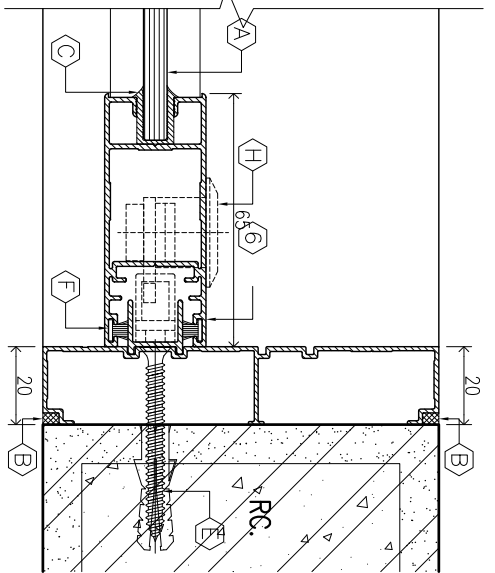
SYMBOL	DESCRIPTION
A	GLASS PANELS
B	SILICONE SEALANT
C	GLAZING GASKET
D	BUBBLE GASKET
E	SCREW & NYLON PLUG
F	WOOL PILE
G	ROLLER SLIDING
H	HANDLE LOCK
I	CAM LOCK
J	SETTING BLOCK



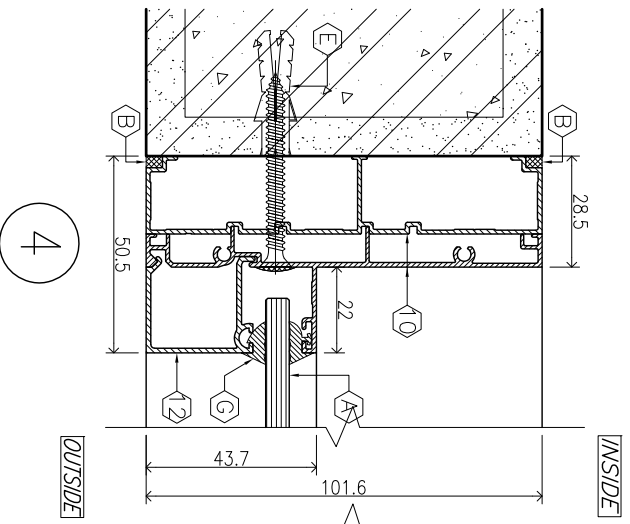
6



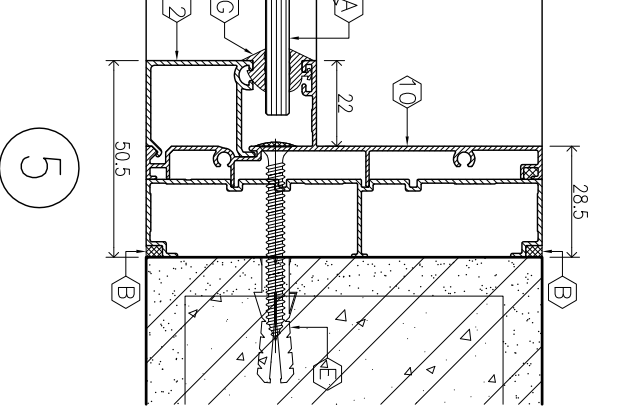
7



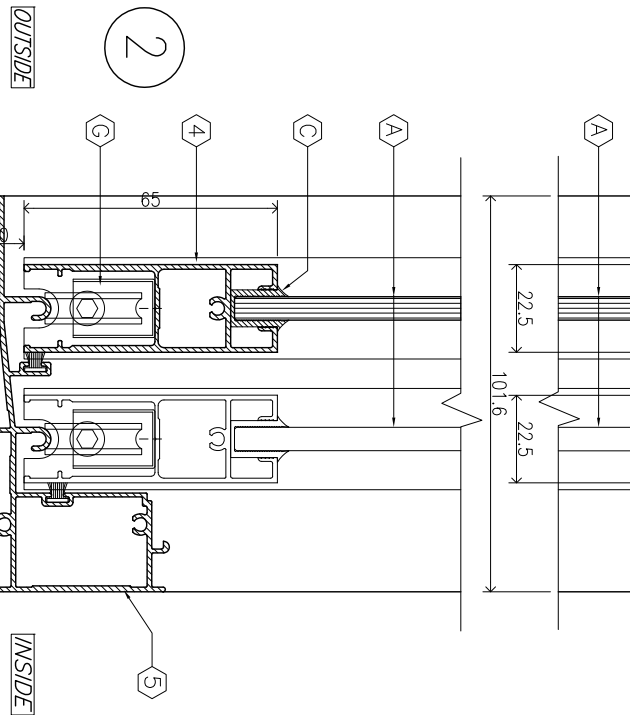
8



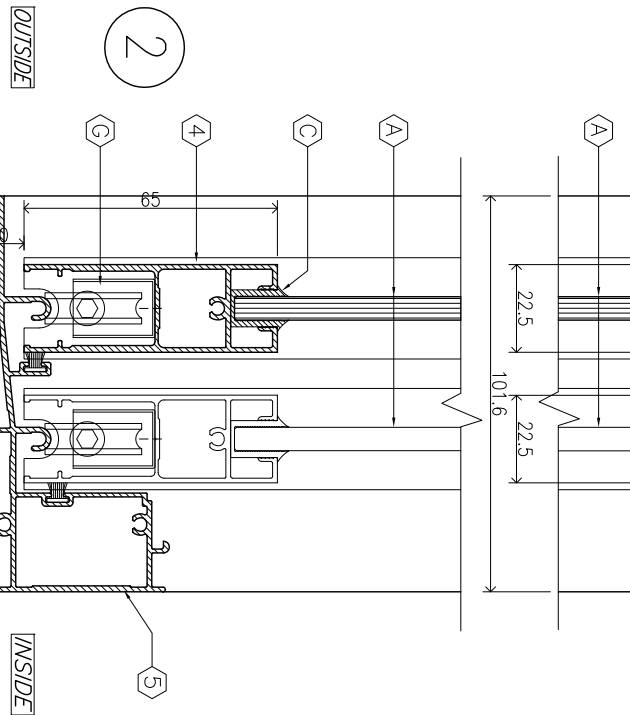
4



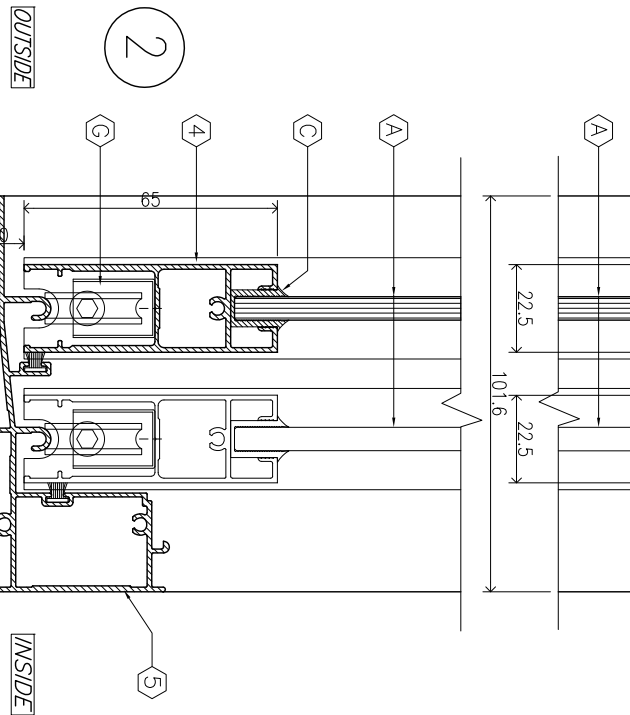
5



1



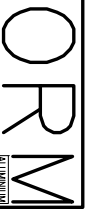
2



3

HORIZONTAL DETAIL

VERTICAL DETAIL

PROJECT : <b>STANDARD PROJECT</b>	OWNER :	ALUMINIUM CONTRACTOR :	 ALUMINIUM ORN (THAILAND) CO.,LTD. 27/28 Moo 11, Bangna-Boonrat Road, Bangna Suburb, Bangkok 10700 Tel. : 09-765-8863, 097-765-8884	DRAWING TITLE <b>DOOR &amp; WINDOW TYPICAL STANDARD DETAIL</b>	<table border="1"> <thead> <tr> <th>NO.</th> <th>DATE</th> <th>REVISION DESCRIPTION</th> <th>APPROVED</th> </tr> </thead> <tbody> <tr> <td> </td> <td> </td> <td> </td> <td> </td> </tr> </tbody> </table>	NO.	DATE	REVISION DESCRIPTION	APPROVED				
NO.	DATE	REVISION DESCRIPTION	APPROVED										
LOCATION :	LOCATION :	DATE :	DESIGN & DWN : MANIT SRSANSUNG ML.4193	APPROVED BY :	DRAWING NO. : <b>SWW-06</b>								
			SCALE : 1 : 2 (A3)										