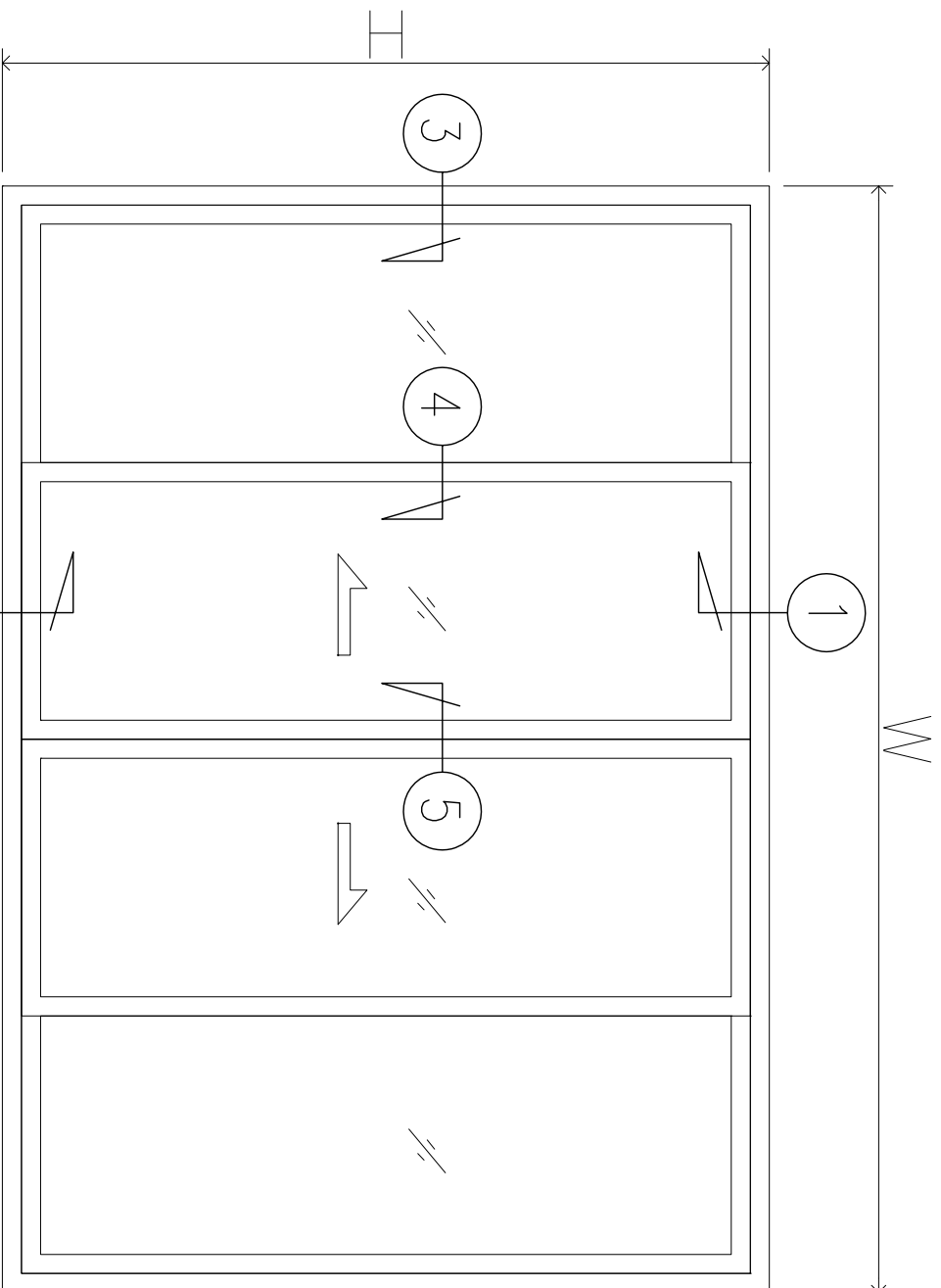


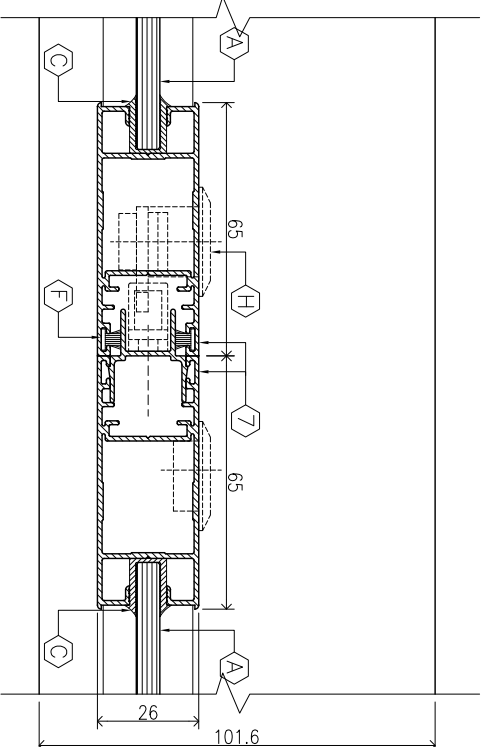
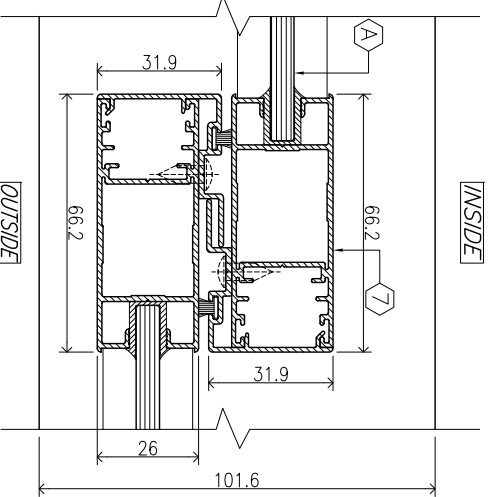
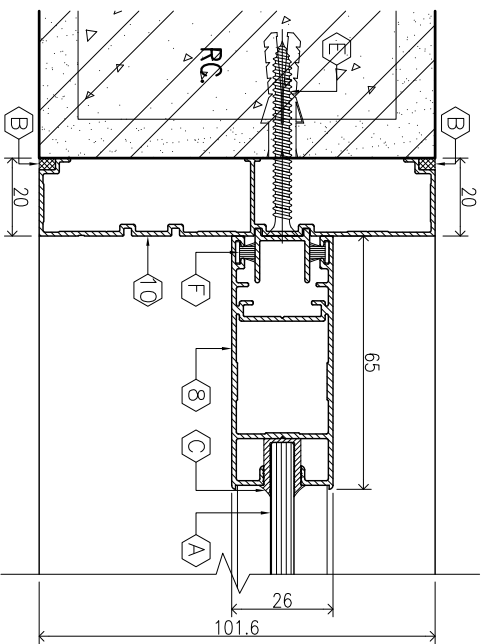
2 | - 21 - 22 23 24 25 26 27 28 29

SYMBOL	ALUMINIUM EXTRUDED SECTION ALLOY 6063-T5
①	HEAD SECTION
②	TRANSOM SECTION
③	TOPRAIL SECTION
④	BOTTOMRAIL SECTION
⑤	SILL SECTION
⑥	LOCKER STILE SECTION
⑦	INNER LOCKER STILE SECTION
⑧	STILE SECTION
⑨	MULLION SECTION
⑩	JAMB SECTION
⑪	SASH SECTION
⑫	BEAD SECTION

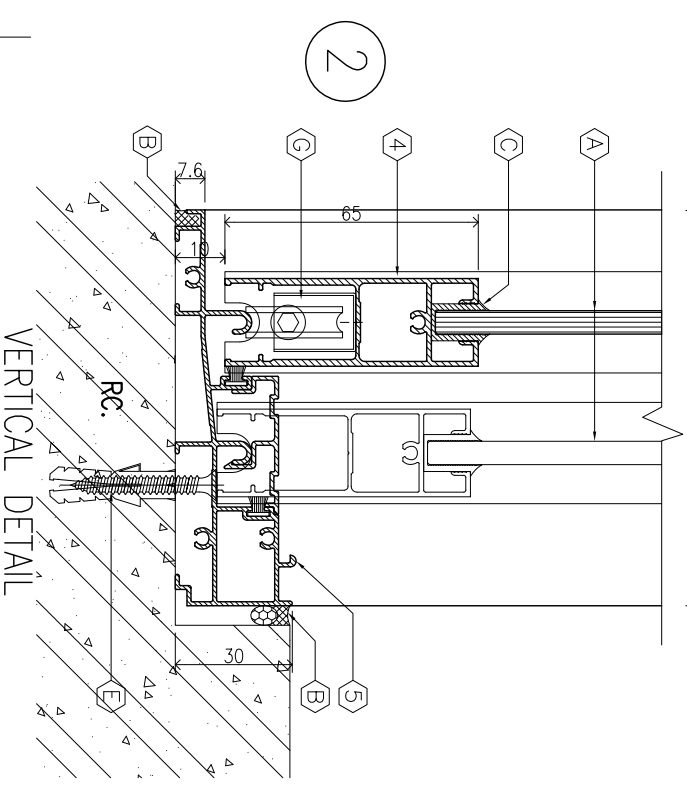
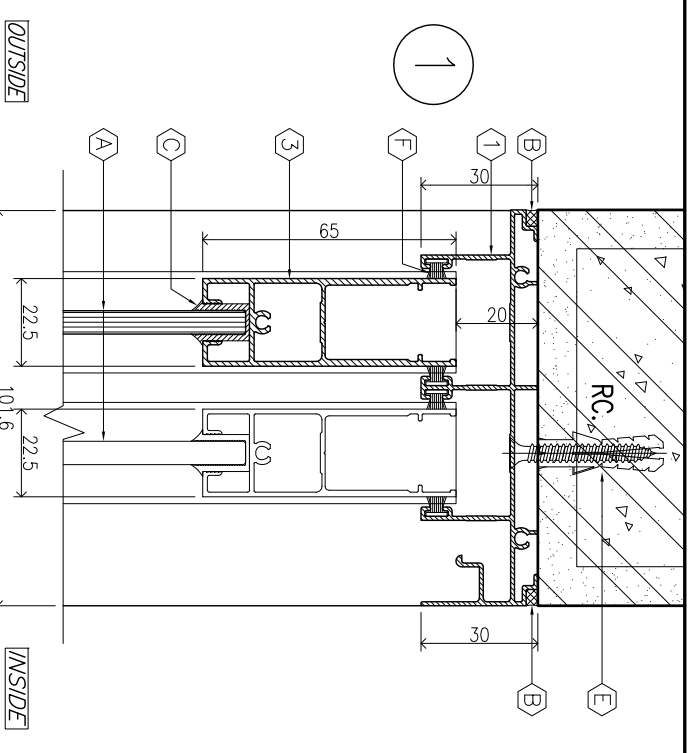
SYMBOL	ACCESSORIES DOOR & WINDOW
Ⓐ	GLASS PANELS
Ⓑ	SILICONE SEALANT
Ⓒ	GLAZING GASKET
Ⓓ	BUBBLE GASKET
Ⓔ	SCREW & NYLON PLUG
Ⓕ	WOOL PILE
Ⓖ	ROLLER SLIDING
Ⓗ	HANDLE LOCK
Ⓘ	CAM LOCK
Ⓙ	SETTING BLOCK



TYPICAL SLIDING DOOR ELEVATION



HORIZONTAL DETAIL

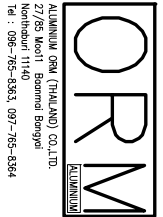


VERTICAL DETAIL

PROJECT :
STANDARD PROJECT

OWNER :

ALUMINIUM CONTRACTOR :



DRAWING TITLE

**DOOR & WINDOW
TYPICAL STANDARD DETAIL**

NO.	DATE	REVISION DESCRIPTION	APPROVED

DATE :
DESIGN & DWN : MANIT SRISANGSUNG
CHKD. BY :
SCALE : 1 : 2 (A3)

APPROVED BY
DRAWING NO.
SDD-01

LOCATION :

LOCATION :

ALUMINIUM CONTRACTOR :

ALUMINIUM OSM (THAI) CO., LTD.
27/28 Moo 11, Bangna-Boonrat Road,
Bang Na District, Bangkok 10700
Tel. : 09-755-8363, 097-755-8364

DRAWING TITLE

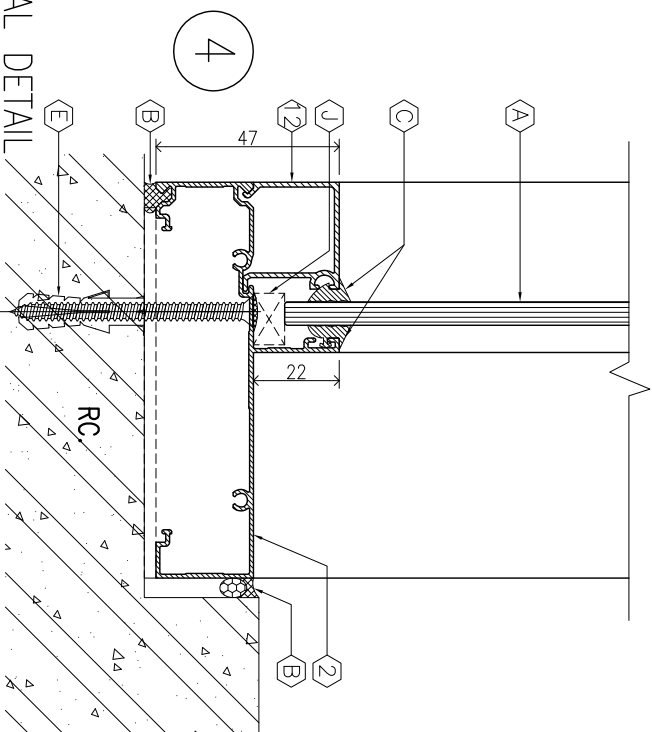
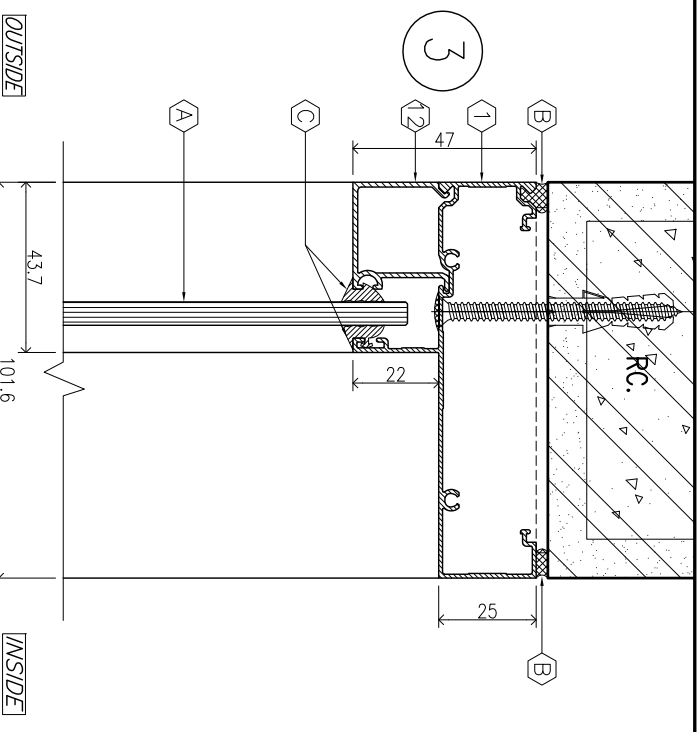
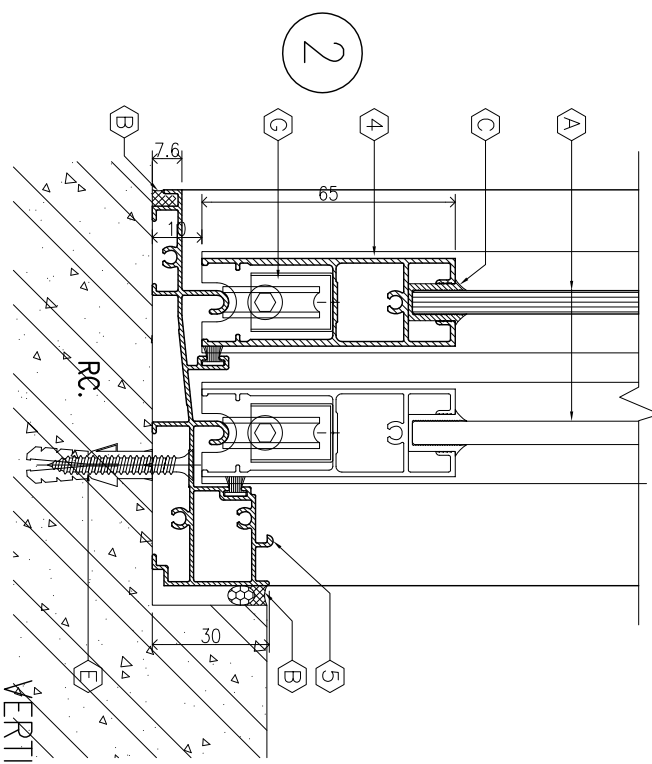
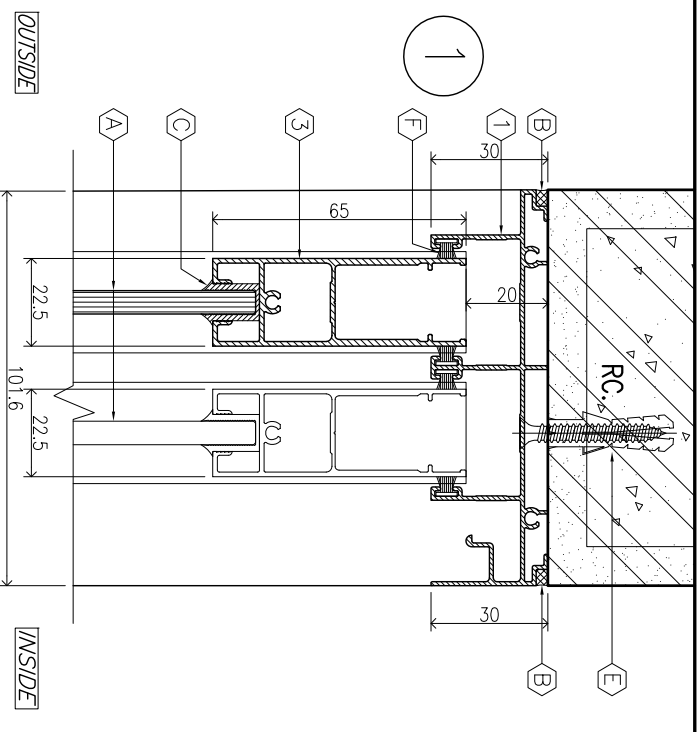
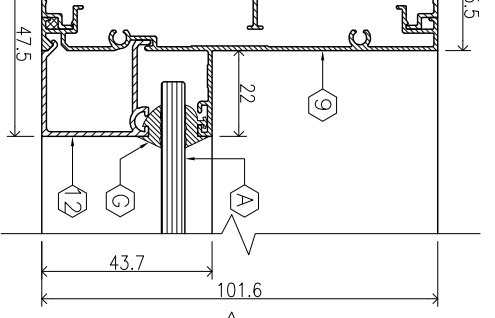
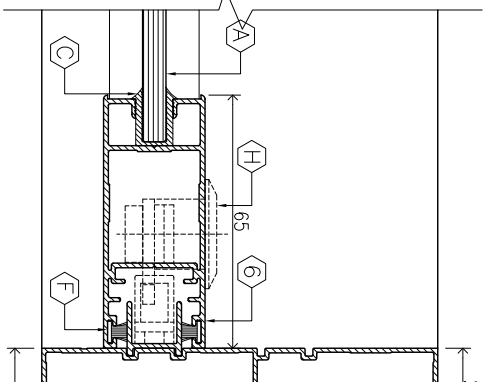
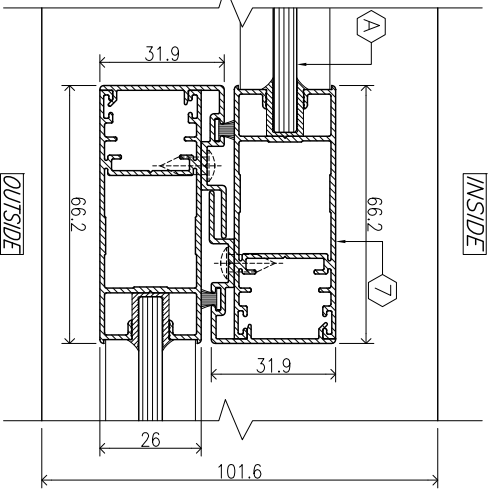
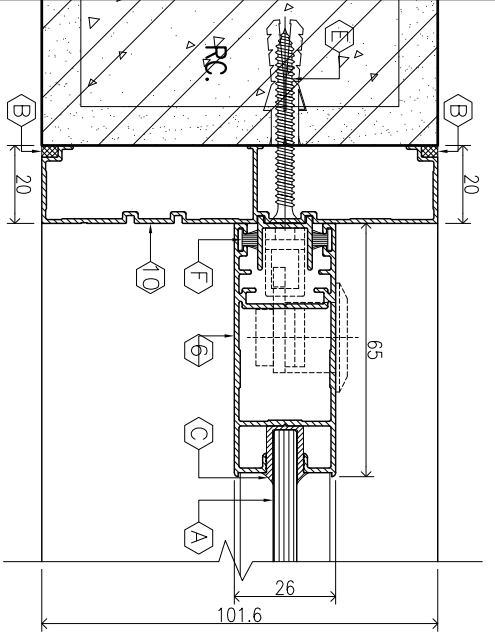
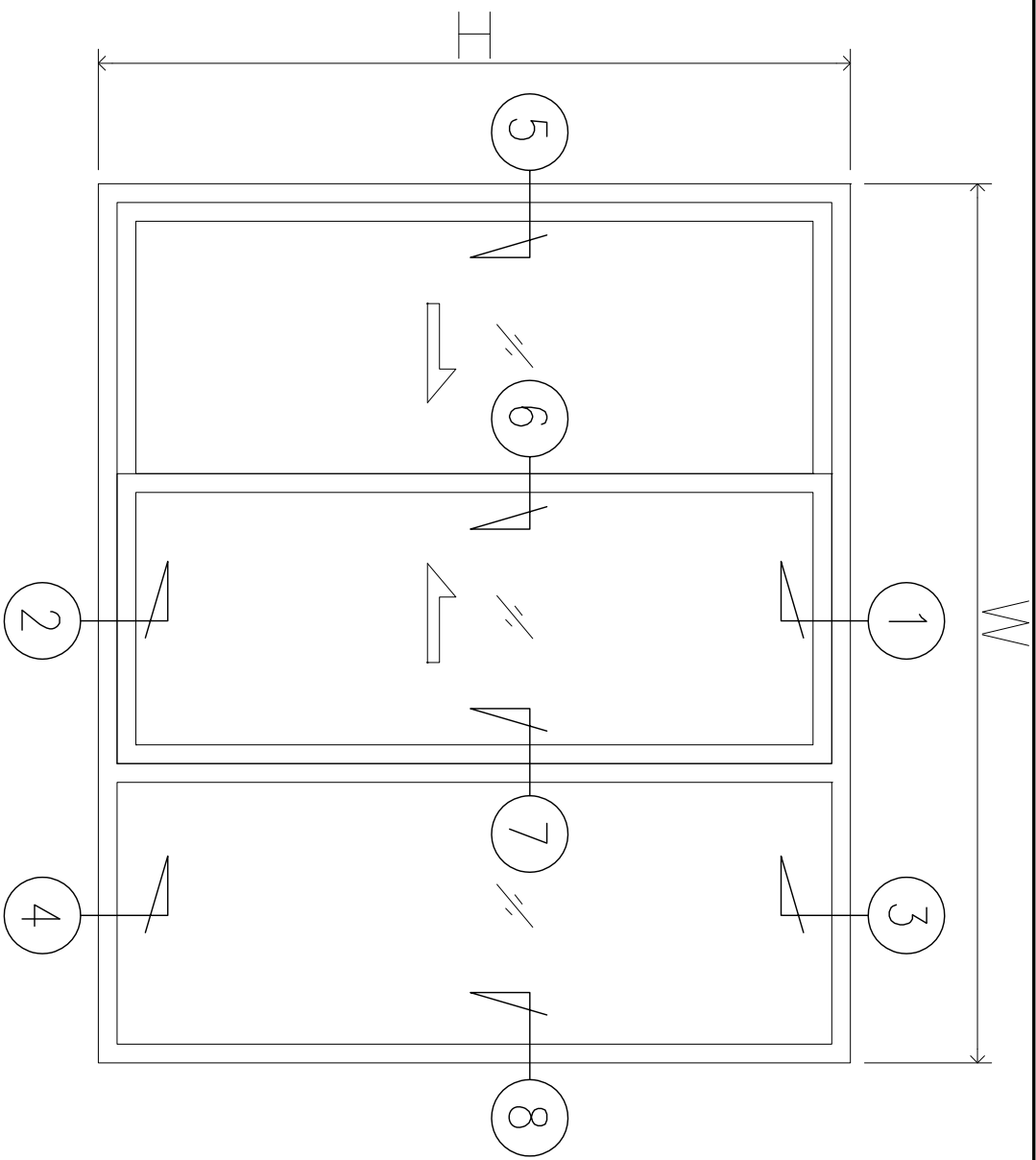
**DOOR & WINDOW
TYPICAL STANDARD DETAIL**

NO.	DATE	REVISION DESCRIPTION	APPROVED

DATE :
DESIGN & DWN : MANIT SRISANGSUNG
CHKD. BY :
SCALE : 1 : 2 (A3)

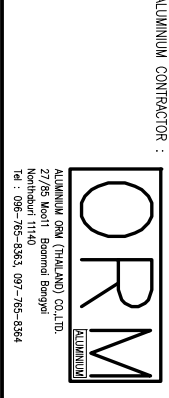
APPROVED BY
DRAWING NO.
SDD-01

ALUMINIUM EXTRUDED SECTION
ALLOY 6063-T5
① HEAD SECTION
② TRANSOM SECTION
③ TOPRAIL SECTION
④ BOTTOMRAIL SECTION
⑤ SILL SECTION
⑥ LOCKER STILE SECTION
⑦ INTER LOCKER STILE SECTION
⑧ STILE SECTION
⑨ MULLION SECTION
⑩ JAMB SECTION
⑪ SASH SECTION
⑫ BEAD SECTION
ACCESSORIES
DOOR & WINDOW
⑬ GLASS PANELS
⑭ SILICONE SEALANT
⑮ GLAZING SEALANT
⑯ RUBBLE GASKET
⑰ SCREW & NYLON PLUG
⑱ WOOL PILE
⑲ ROLLER SLIDING
⑳ HANDLE LOCK
㉑ CAM LOCK
㉒ SETTING BLOCK



PROJECT :
STANDARD PROJECT

OWNER :
ALUMINIUM CONTRACTOR :



DRAWING TITLE
**DOOR & WINDOW
TYPICAL STANDARD DETAIL**

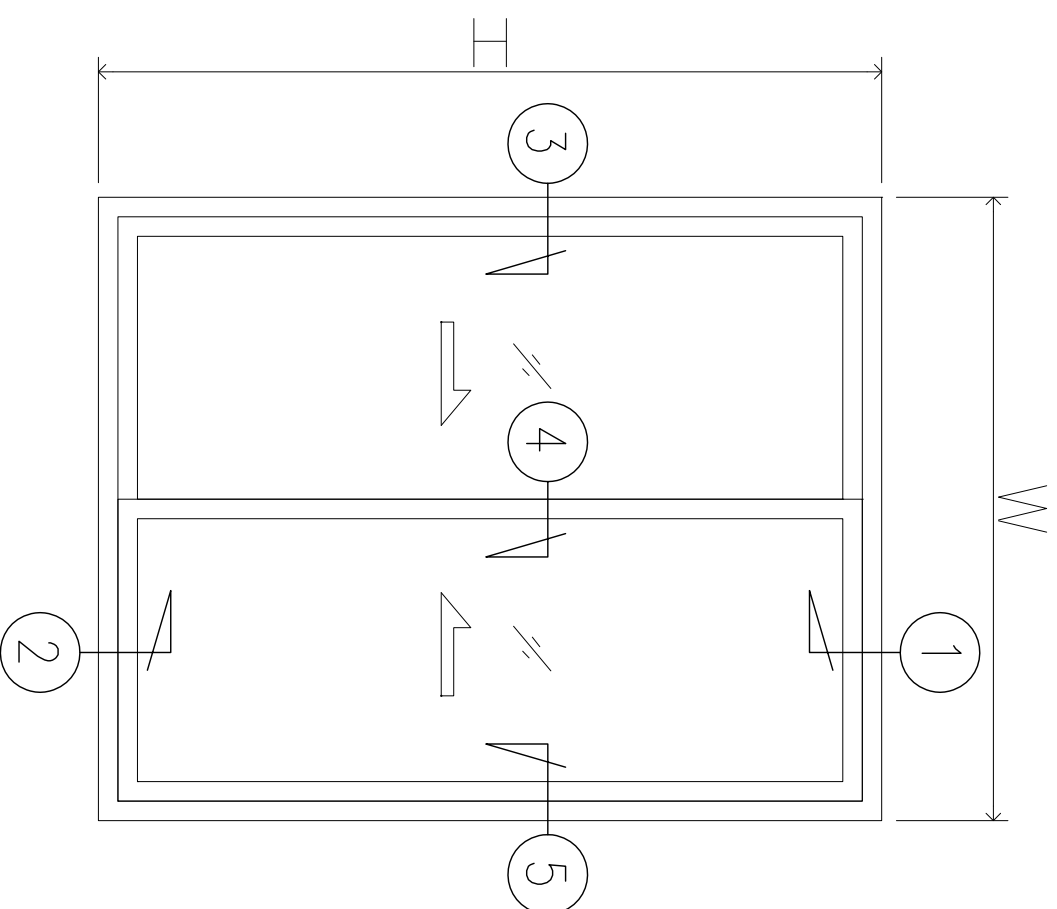
REVISION	
NO.	DATE

DATE :
DESIGN & DWN : MANIT SRISANGSUNG ML.4193
CHKD. BY :
SCALE : 1 : 2 (A3)

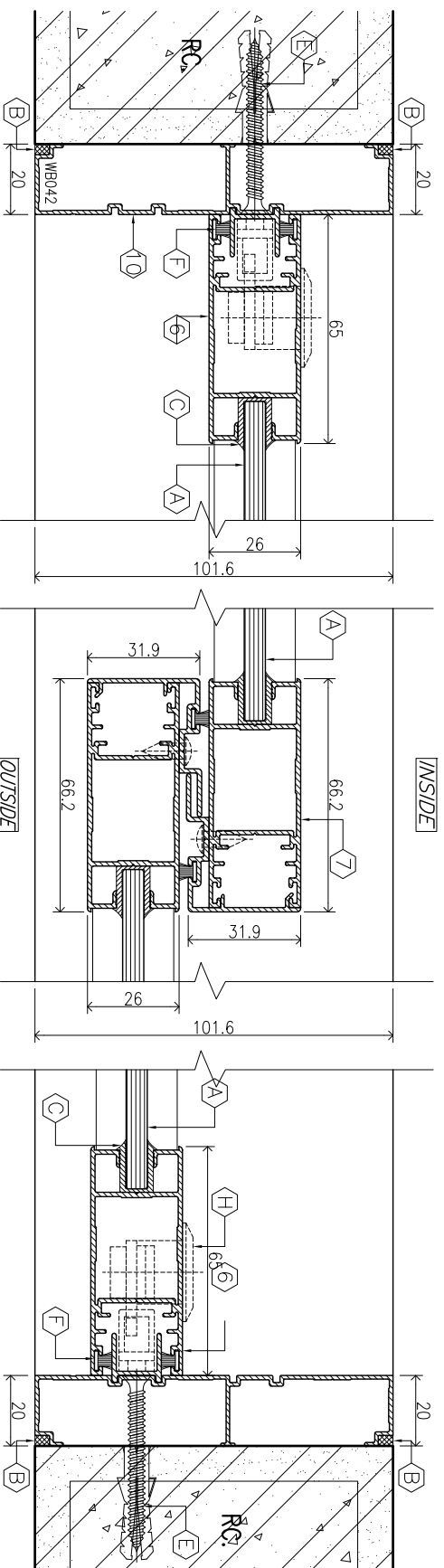
APPROVED BY
DRAWING NO.
SDD-02

SYMBOL	DESCRIPTION
①	ALUMINIUM EXTRUDED SECTION ALLOY 6063-T5
②	HEAD SECTION
③	TRANSOM SECTION
④	TOPRAIL SECTION
⑤	BOTTOMRAIL SECTION
⑥	SILL SECTION
⑦	LOCKER STILE SECTION
⑧	INNER LOCKER STILE SECTION
⑨	STILE SECTION
⑩	MULLION SECTION
⑪	JAMB SECTION
⑫	SASH SECTION
⑬	BEAD SECTION

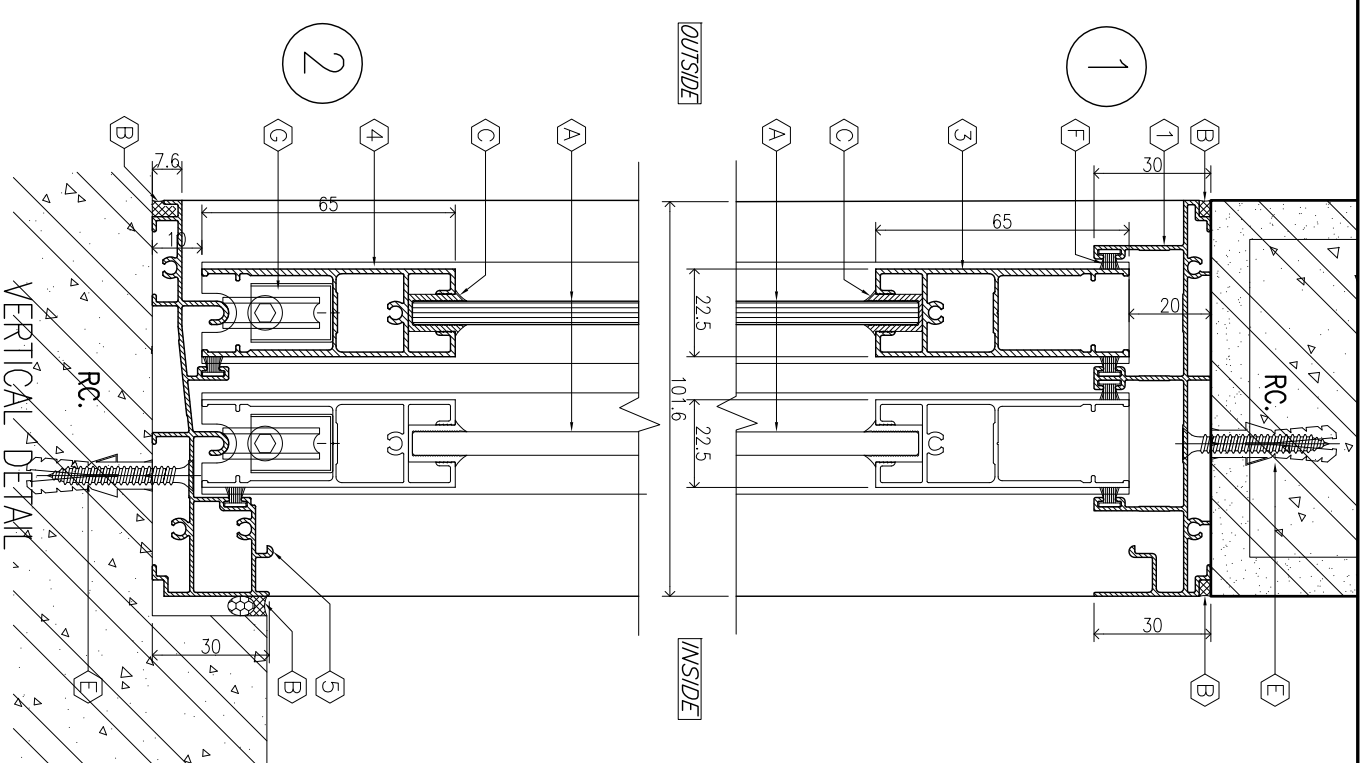
SYMBOL	DESCRIPTION
A	ACCESSORIES DOOR & WINDOW
B	GLASS PANELS
C	SILICONE SEALANT
D	GLAZING GASKET
E	BUBBLE GASKET
F	SCREW & NYLON PLUG
G	WOOL PILE
H	ROLLER SLIDING
I	HANDLE LOCK
J	CAM LOCK
K	SETTING BLOCK



TYPICAL SLIDING DOOR ELEVATION



HORIZONTAL DETAIL



VERTICAL DETAIL

PROJECT :
STANDARD PROJECT

OWNER :
LOCATION :

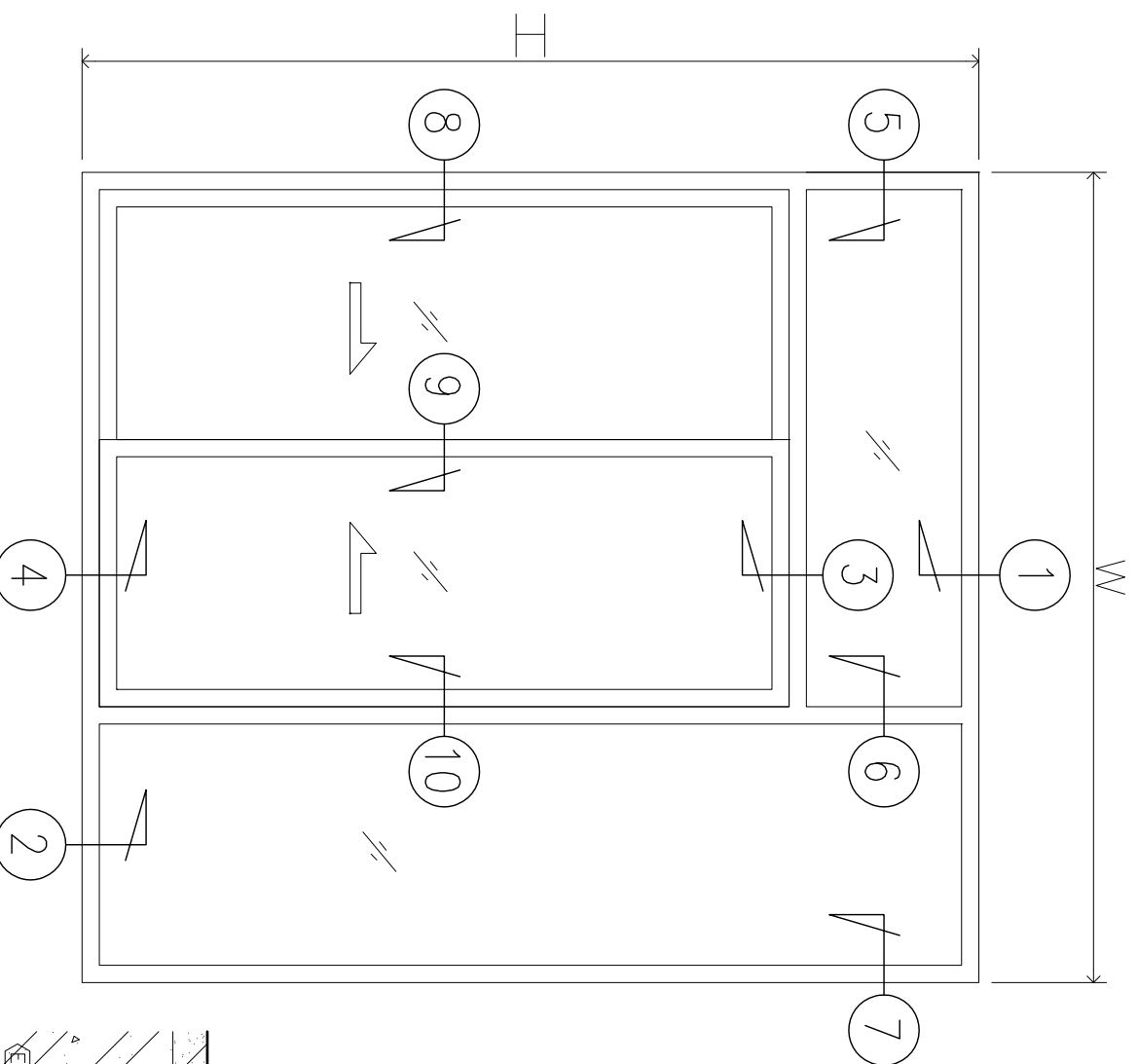
ALUMINIUM CONTRACTOR :
ORM
ALUMINIUM ORN (THAILAND) CO.,LTD.
27/28 Moo 11, Bangma Boengye
Bangkok, Thailand
Tel. : 06-755-8363, 093-755-5384

DRAWING TITLE
DOOR & WINDOW
TYPICAL STANDARD DETAIL

NO.	DATE	REVISION DESCRIPTION	APPROVED

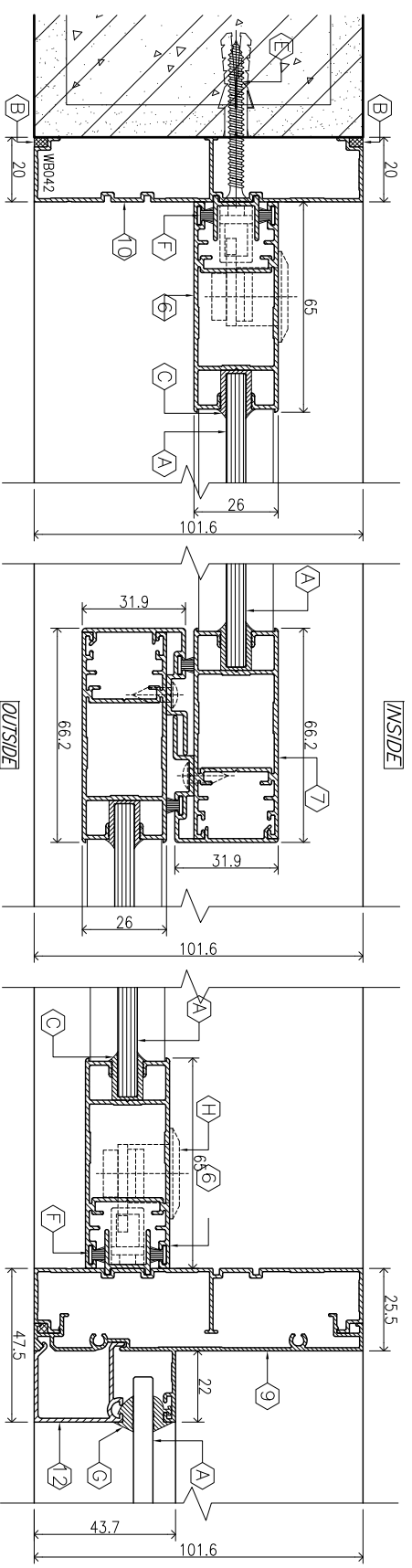
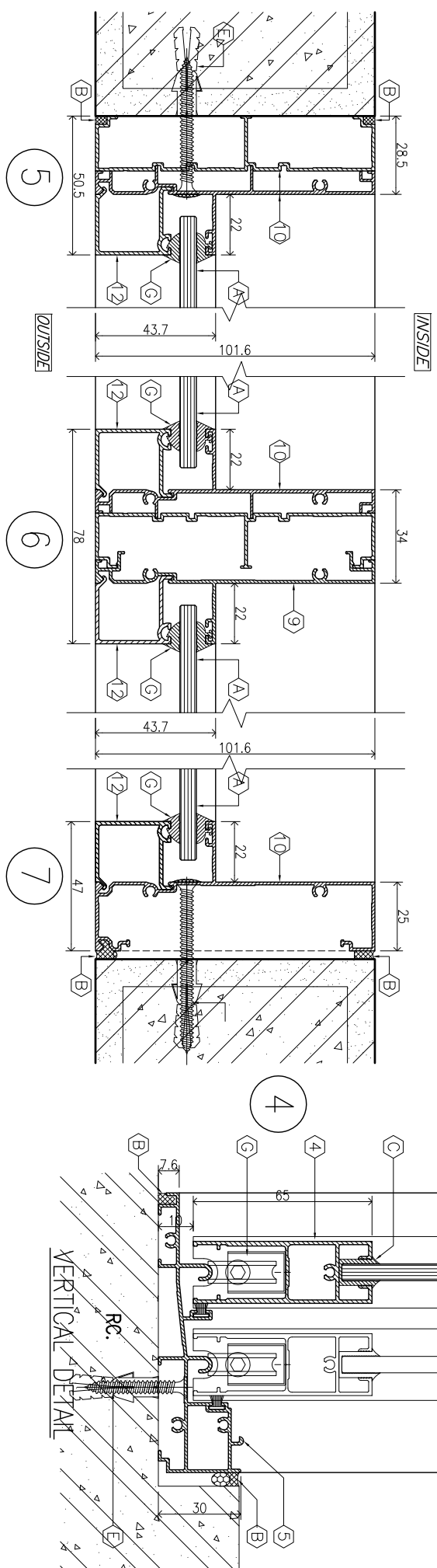
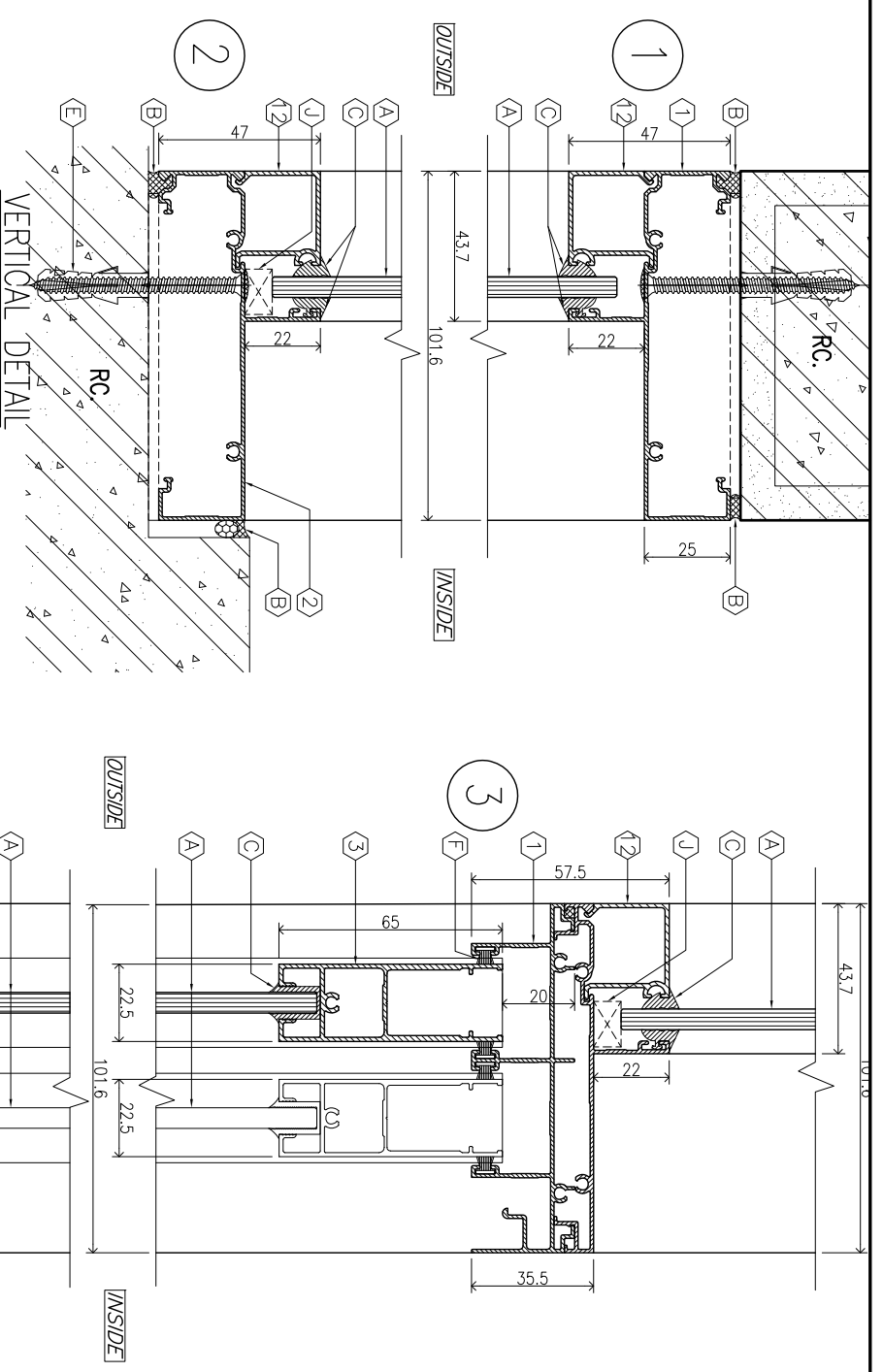
DATE :
DESIGN & DWG : MANIT SRSANGSUNG ML.4193
CHKD. BY :
SCALE : 1 : 2 (A3)

APPROVED BY :
DRAWING NO. : SDD-03



SYMBOL	ALUMINIUM EXTRUDED SECTION
①	HEAD SECTION
②	TRANSOM SECTION
③	TOPRAIL SECTION
④	BOTTOMRAIL SECTION
⑤	SILL SECTION
⑥	LOCKER STILE SECTION
⑦	INNER LOCKER STILE SECTION
⑧	STILE SECTION
⑨	MULLION SECTION
⑩	JAMB SECTION
⑪	SASH SECTION
⑫	BEAD SECTION

SYMBOL	ACCESSORIES DOOR & WINDOW
Ⓐ	GLASS PANELS
Ⓑ	SILICONE SEALANT
Ⓒ	GLAZING GASKET
Ⓓ	BUBBLE GASKET
Ⓔ	SCREW & NYLON PLUG
Ⓕ	WOOL PILE
Ⓖ	ROLLER SLIDING
Ⓗ	HANDLE LOCK
Ⓘ	CAM LOCK
Ⓚ	SETTING BLOCK



PROJECT : **STANDARD PROJECT**

OWNER :

ALUMINIUM CONTRACTOR :

ORM

ALUMINIUM CO. (THAILAND) CO., LTD.
27/28 Moo 11, Bangna-Boengye
Bangna-Boengye, Bangkok 10700
Tel. : 09-765-883, 097-765-8884

DRAWING TITLE : **DOOR & WINDOW TYPICAL STANDARD DETAIL**

NO.	DATE	REVISION DESCRIPTION	APPROVED

DATE :

DESIGN & DWN : **MANIT SRSANGSUNG** ML.4193

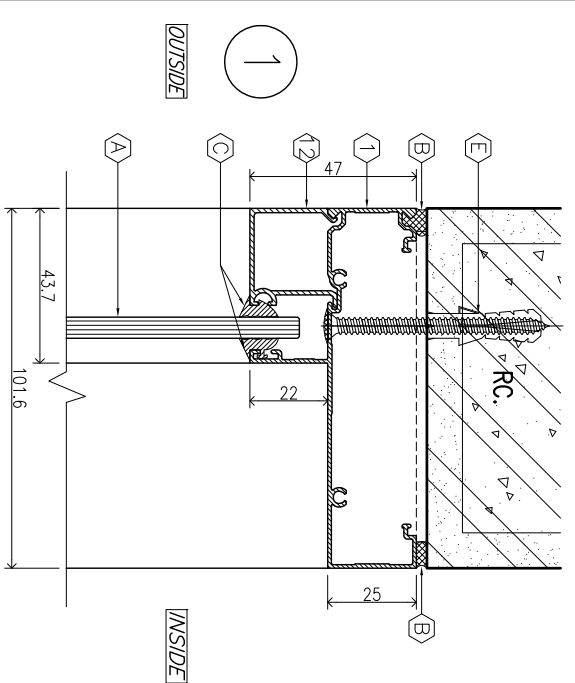
CHKD. BY :

SCALE : **1 : 2.2 (A3)**

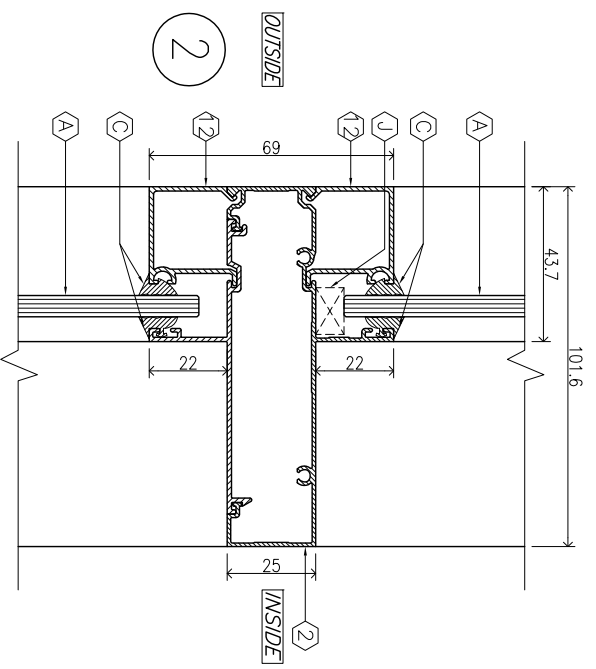
APPROVED BY :

DRAWING NO. : **SDD-05**

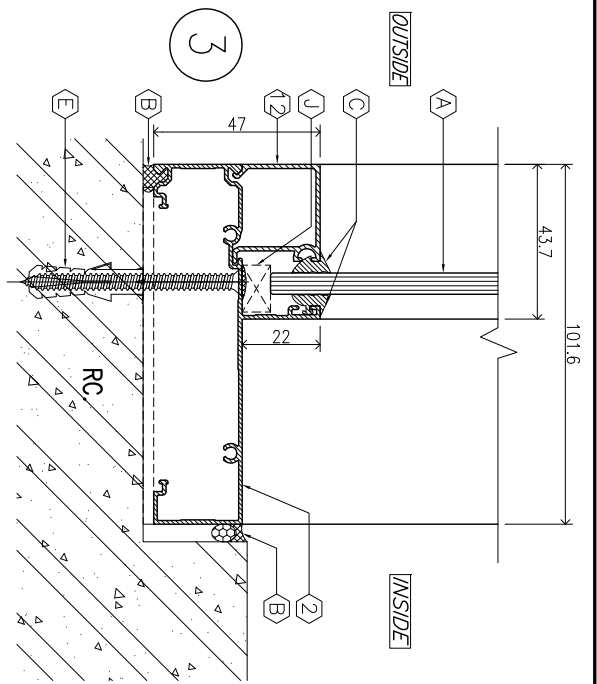
LOCATION :



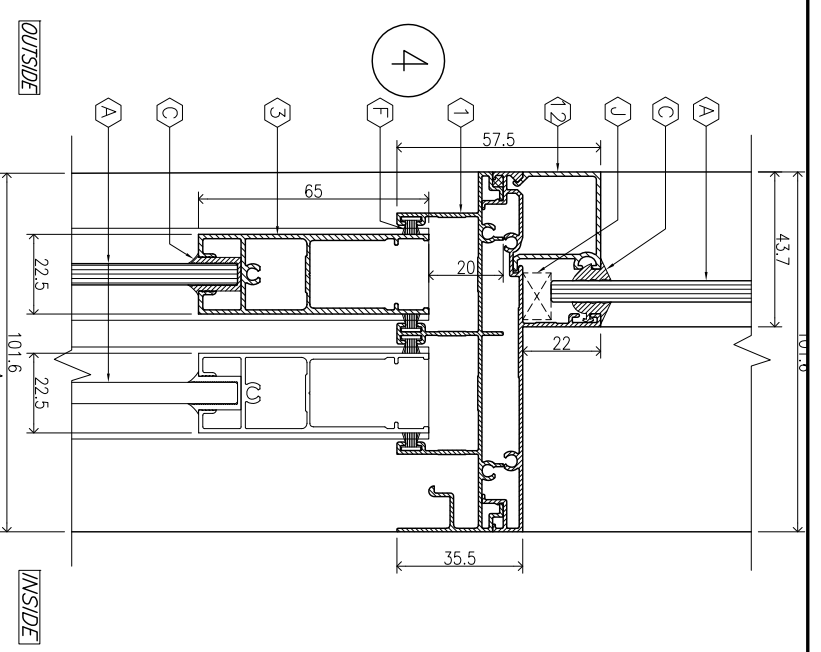
VERTICAL DETAIL



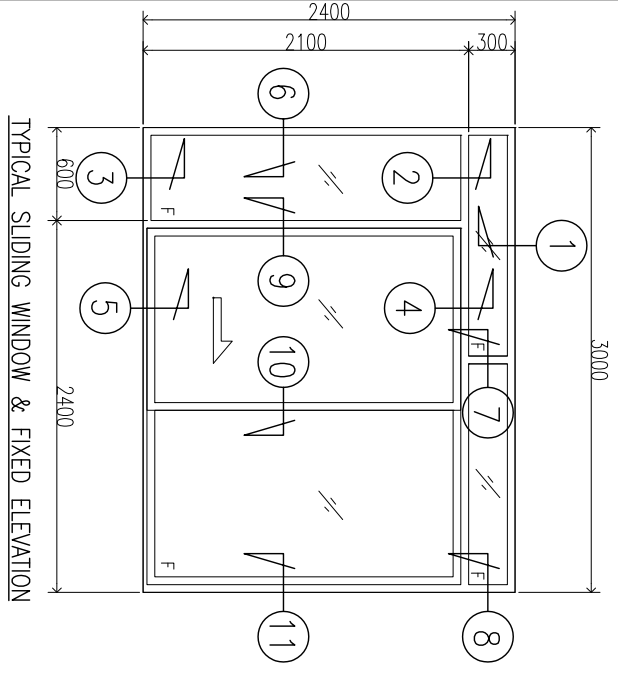
VERTICAL DETAIL



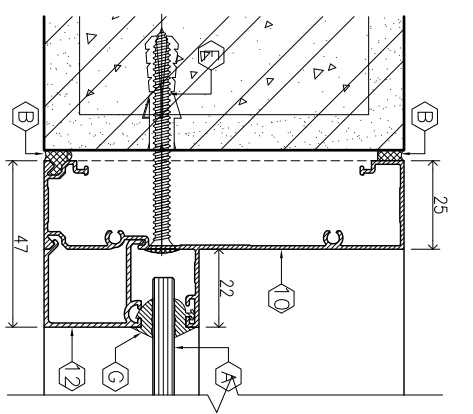
VERTICAL DETAIL



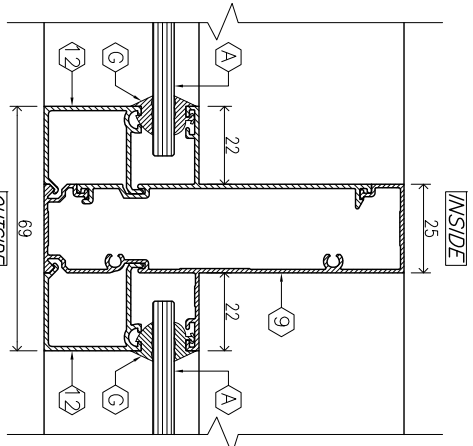
VERTICAL DETAIL



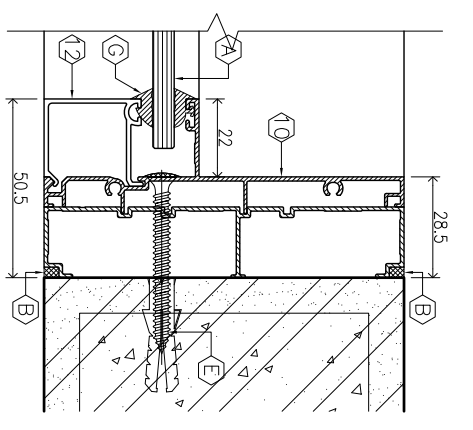
TYPICAL SLIDING WINDOW & FIXED ELEVATION



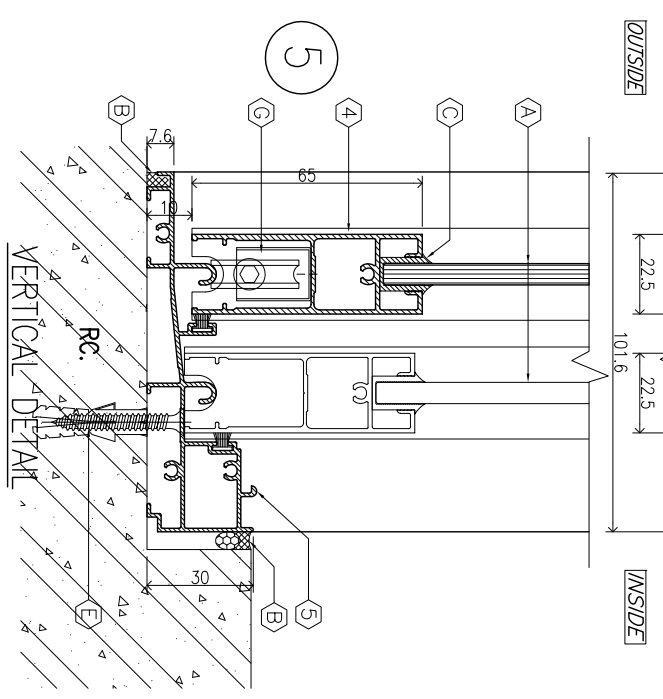
6



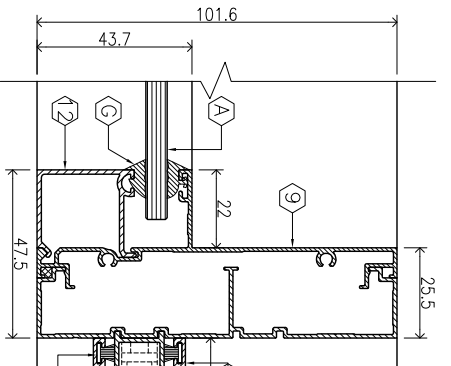
7



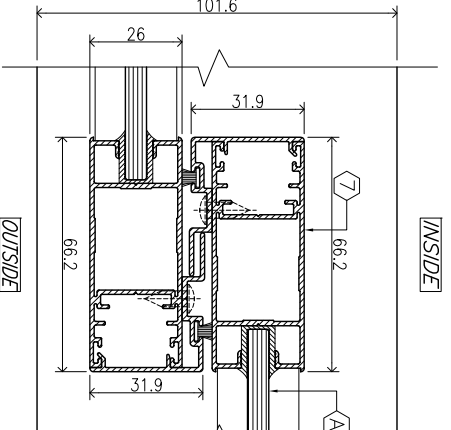
8



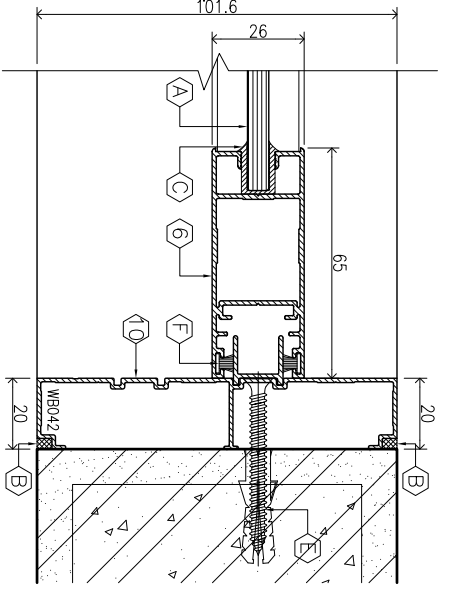
VERTICAL DETAIL



9



10



11

HORIZONTAL DETAIL

SYMBOL	ACCESSORIES DOOR & WINDOW
(A)	GLASS PANELS
(B)	SILICONE SEALANT
(C)	GLAZING GASKET
(D)	BUBBLE GASKET
(E)	SCREW & NYLON PLUG
(F)	WOOL PILE
(G)	ROLLER SLIDING
(H)	HANDLE LOCK
(I)	CAM LOCK
(J)	SETTING BLOCK

SYMBOL	ALUMINIUM EXTRUDED SECTION ALLOY 6063-T5
(1)	HEAD SECTION
(2)	TRANSOM SECTION
(3)	TOPRAIL SECTION
(4)	BOTTOMRAIL SECTION
(5)	SILL SECTION
(6)	LOCKER STILE SECTION
(7)	INTER LOCKER STILE SECTION
(8)	STILE SECTION
(9)	MULLION SECTION
(10)	JAMB SECTION
(11)	SASH SECTION
(12)	BEAD SECTION

PROJECT : **STANDARD PROJECT** OWNER : **ALUMINIUM CONTRACTOR :**

LOCATION : **ALUMINIUM CONTRACTOR :**

ORM
ALUMINIUM CO., LTD. (THAILAND) CO., LTD.
27/28 Moo 11, Bangna-Boonrut Road, Bangna District, Bangkok 10700, Thailand
Tel. : 09-765-8863, 097-765-8864

DRAWING TITLE : **DOOR & WINDOW TYPICAL STANDARD DETAIL**

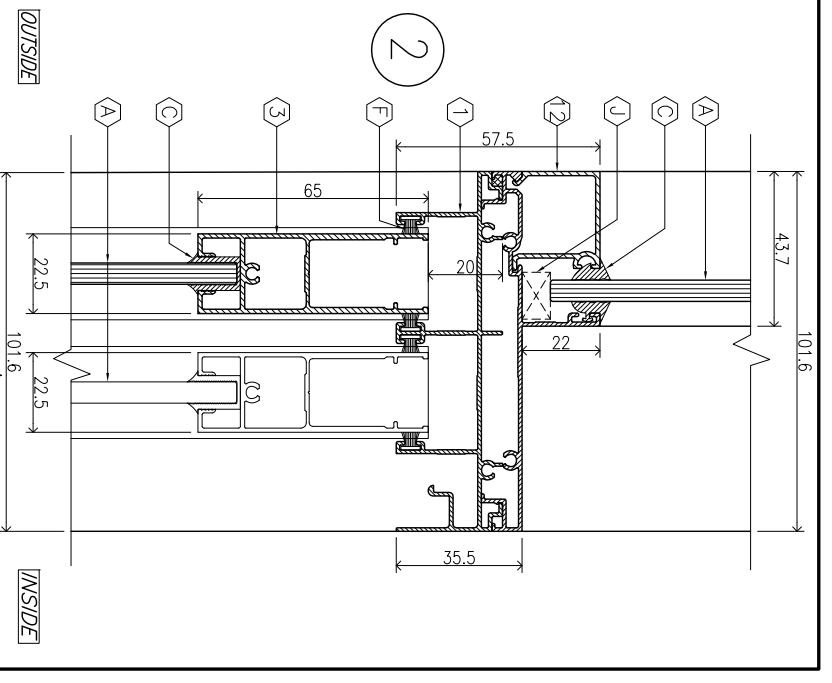
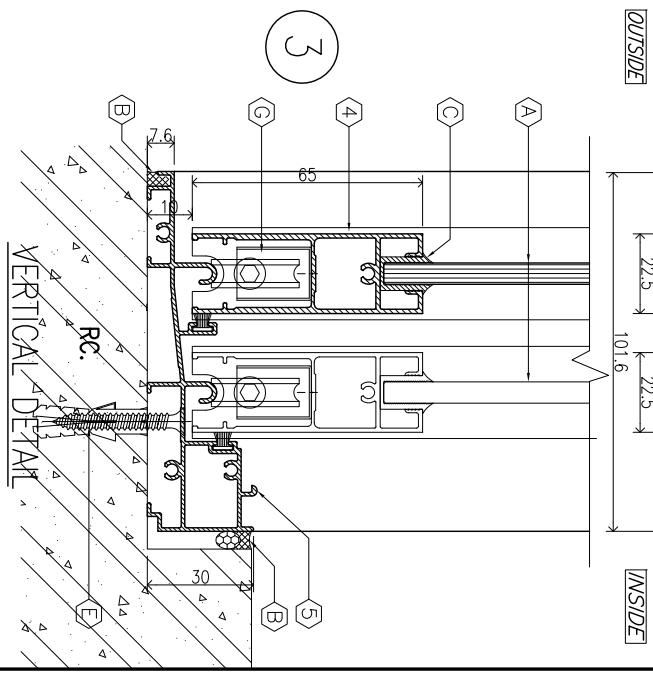
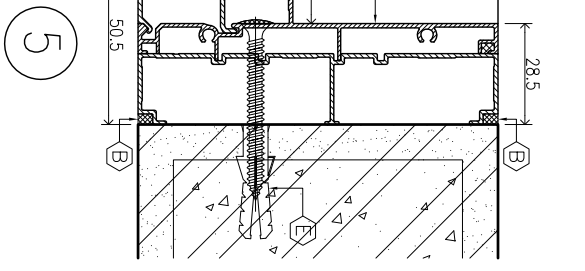
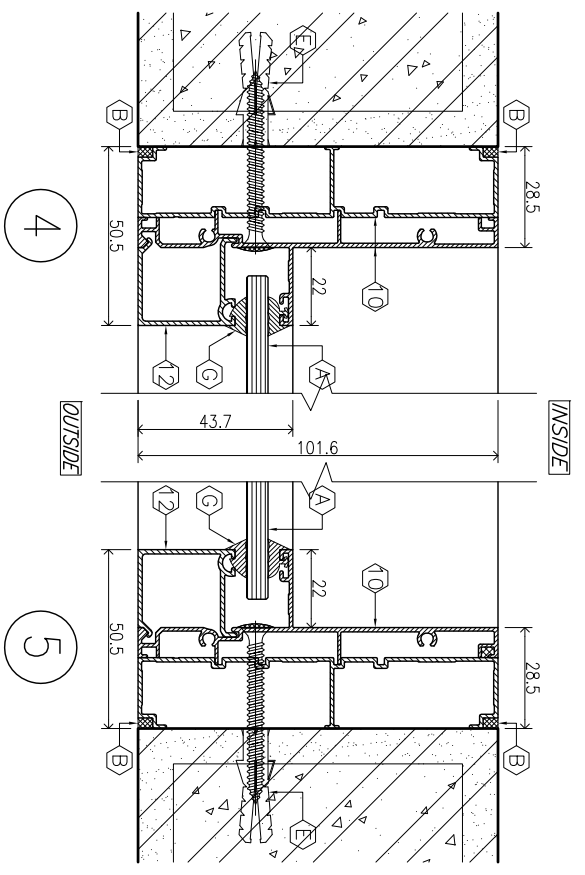
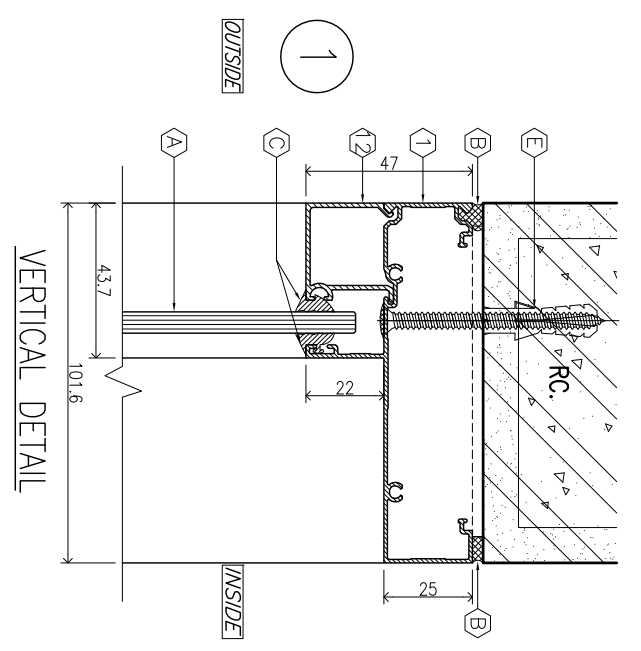
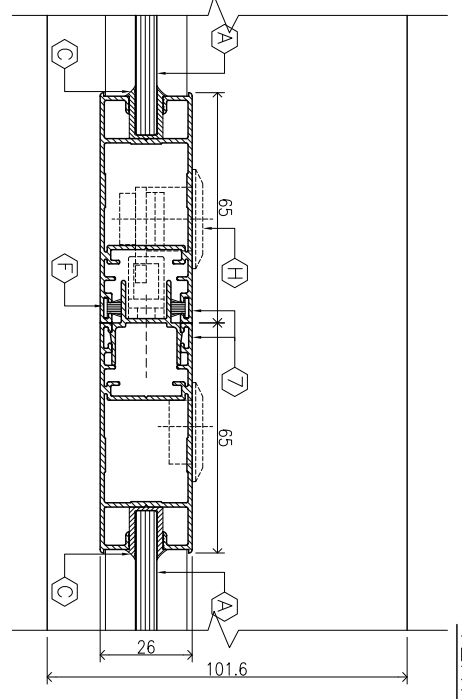
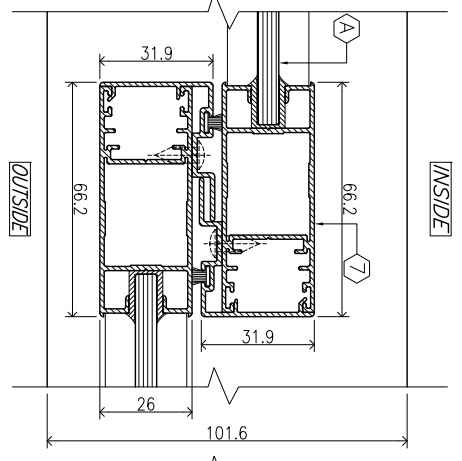
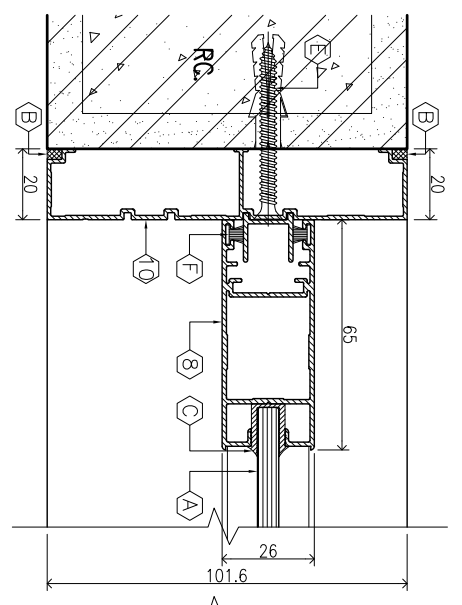
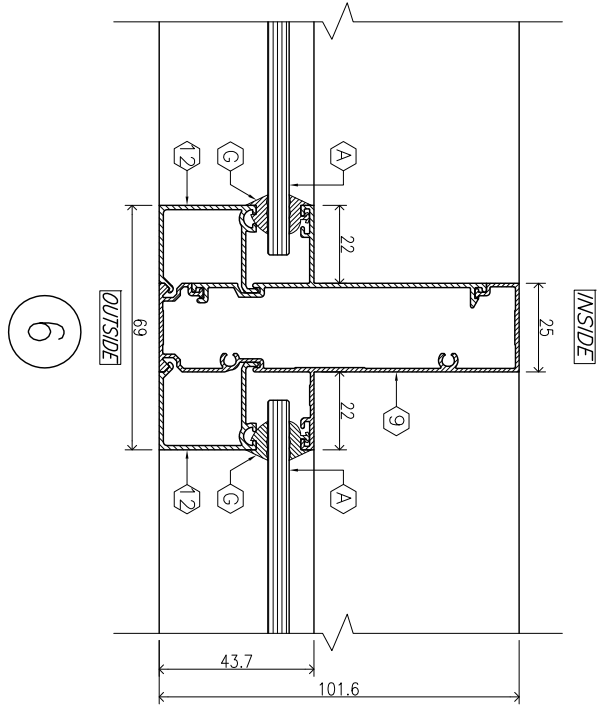
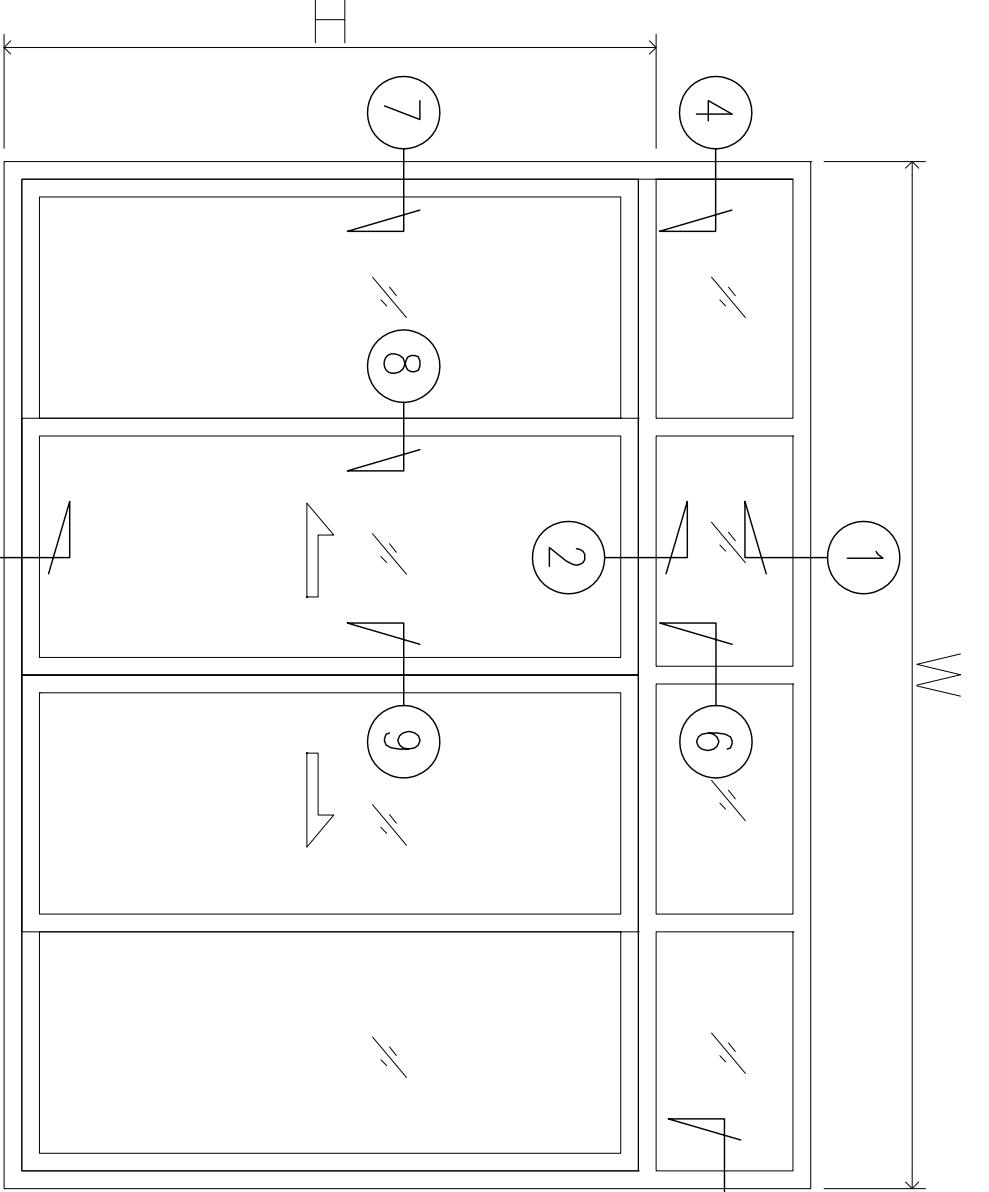
NO.	DATE	REVISION DESCRIPTION	APPROVED

DATE : **DESIGN & DWN : MANIT SRSANGSUNG ML.4193**

SCALE : **1 : 2.2 (A3)**

APPROVED BY : **SDD-06**

ALUMINIUM EXTRUDED SECTION
ALLOY 6063-15
① HEAD SECTION
② TRANSOM SECTION
③ TOPRAIL SECTION
④ BOTTOMRAIL SECTION
⑤ SILL SECTION
⑥ LOCKER STILE SECTION
⑦ INNER LOCKER STILE SECTION
⑧ STILE SECTION
⑨ MULLION SECTION
⑩ JAMB SECTION
⑪ SASH SECTION
⑫ BEAD SECTION
ACCESSORIES
DOOR & WINDOW
⑬ GLASS PANELS
⑭ SILICONE SEALANT
⑮ GLAZING GASKET
⑯ BUBBLE GASKET
⑰ SCREW & NYLON PLUG
⑱ WOOL PILE
⑲ ROLLER SLIDING
⑳ HANDLE LOCK
㉑ CAM LOCK
㉒ SETTING BLOCK



HORIZONTAL DETAIL

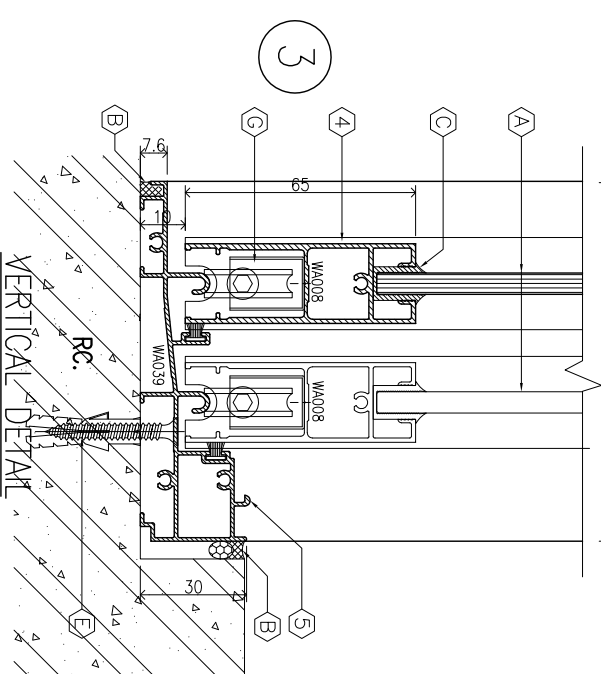
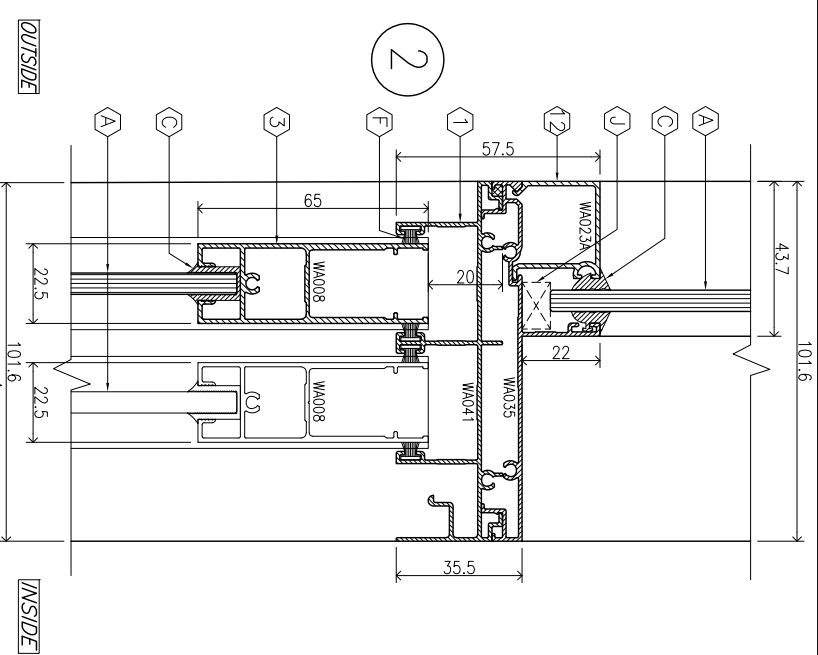
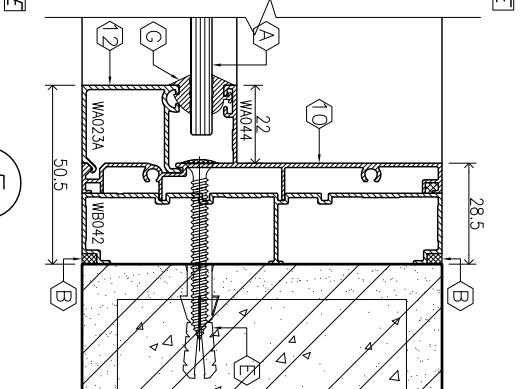
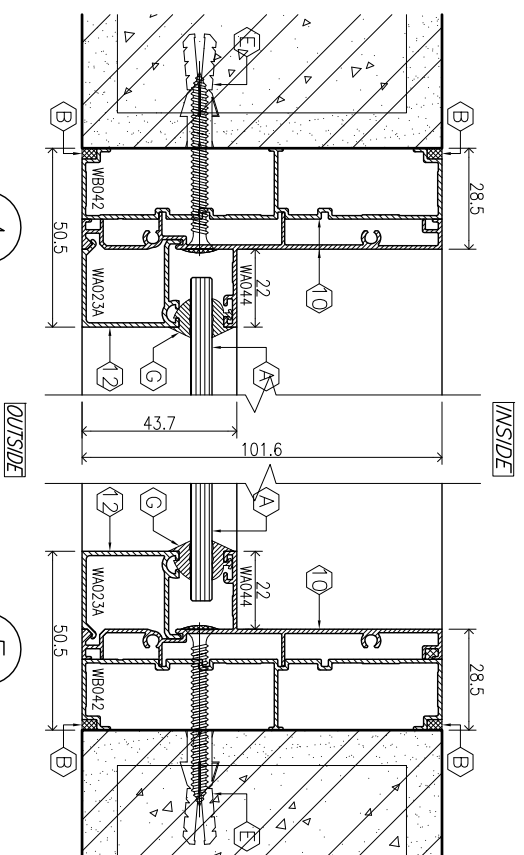
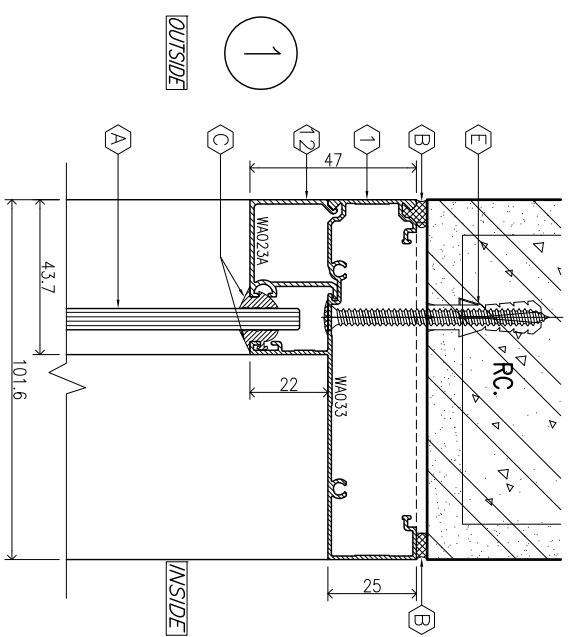
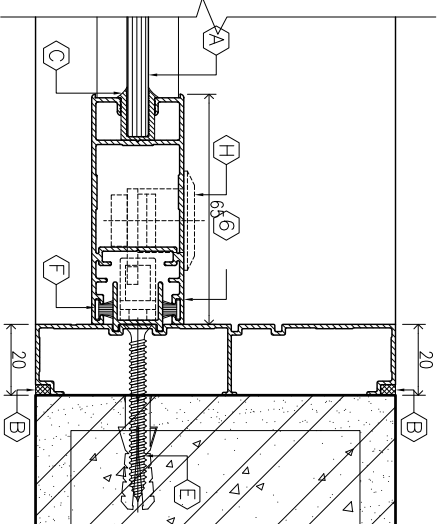
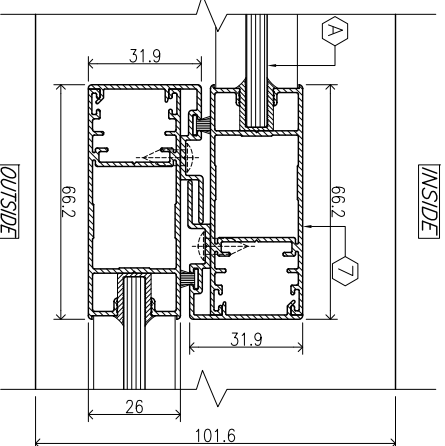
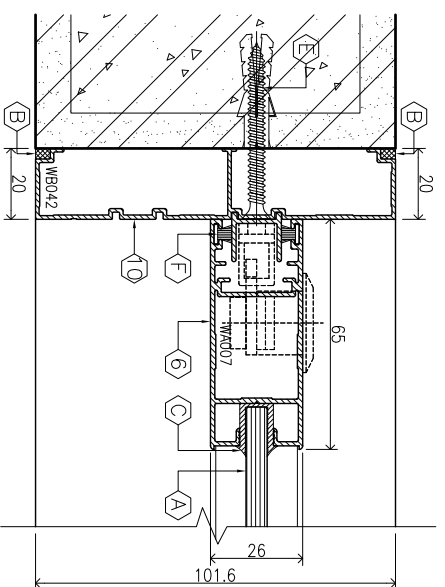
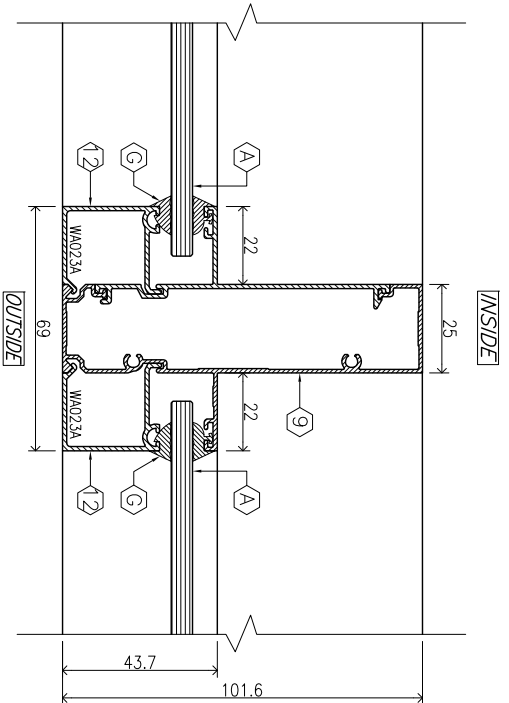
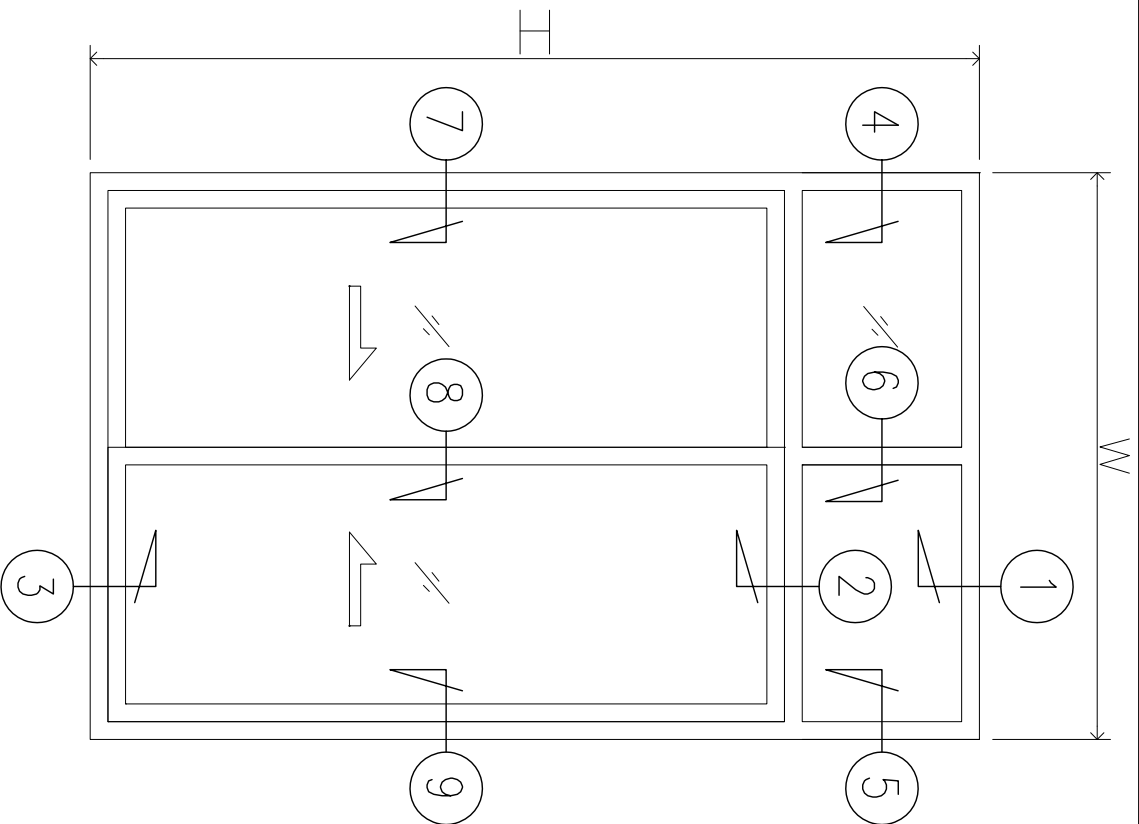
VERTICAL DETAIL

TYPICAL SLIDING DOOR ELEVATION

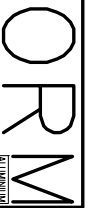
VERTICAL DETAIL

PROJECT : STANDARD PROJECT	OWNER :	ALUMINIUM CONTRACTOR : ORM ALUMINIUM ORN (THAILAND) CO.,LTD. 27/28 Moo 11, Bangna-Boonrat Road, Bangna Suburb, Bangkok 10700 Tel. : 09-765-8861, 097-765-8884	DRAWING TITLE DOOR & WINDOW TYPICAL STANDARD DETAIL	DATE :	APPROVED BY
LOCATION :				DESIGN & DWN : MANIT SRISANGSUNG ML.4193	DRAWING NO. SDD-07
				NO. DATE DESCRIPTION APPROVED	SCALE : 1 : 2.2 (A3)

ALUMINIUM EXTRUDED SECTION ALLOY 6063-15	
1	HEAD SECTION
2	TRANSOM SECTION
3	TOPRAIL SECTION
4	BOTTOMRAIL SECTION
5	SILL SECTION
6	LOCKER STILE SECTION
7	INNER LOCKER STILE SECTION
8	STILE SECTION
9	MULLION SECTION
10	JAMB SECTION
11	SASH SECTION
12	BEAD SECTION
ACCESSORIES DOOR & WINDOW	
A	GLASS PANELS
B	SILICONE SEALANT
C	GLAZING GASKET
D	BUBBLE GASKET
E	SCREW & NYLON PLUG
F	WOOL PILE
G	ROLLER SLIDING
H	HANDLE LOCK
I	CAM LOCK
J	SETTING BLOCK



HORIZONTAL DETAIL

PROJECT : STANDARD PROJECT	OWNER :	ALUMINIUM CONTRACTOR :	DRAWING TITLE DOOR & WINDOW TYPICAL STANDARD DETAIL															
LOCATION :	LOCATION :	 ALUMINIUM (THAILAND) CO.,LTD. 27/28 Moo 11, Bangma Boengye Kanchanaburi Tel. : 096-765-8861, 097-765-8864	<table border="1"> <thead> <tr> <th colspan="3">REVISION</th> </tr> <tr> <th>NO.</th> <th>DATE</th> <th>DESCRIPTION</th> </tr> </thead> <tbody> <tr><td> </td><td> </td><td> </td></tr> <tr><td> </td><td> </td><td> </td></tr> <tr><td> </td><td> </td><td> </td></tr> </tbody> </table>	REVISION			NO.	DATE	DESCRIPTION									
REVISION																		
NO.	DATE	DESCRIPTION																
DATE :	DESIGN & DWN : MANIT SRISANGSUNG ML.4193	APPROVED BY :	APPROVED BY :															
SCALE : 1 : 2.2 (A3)	CHKD. BY :	DRAWING NO. SDD-08																