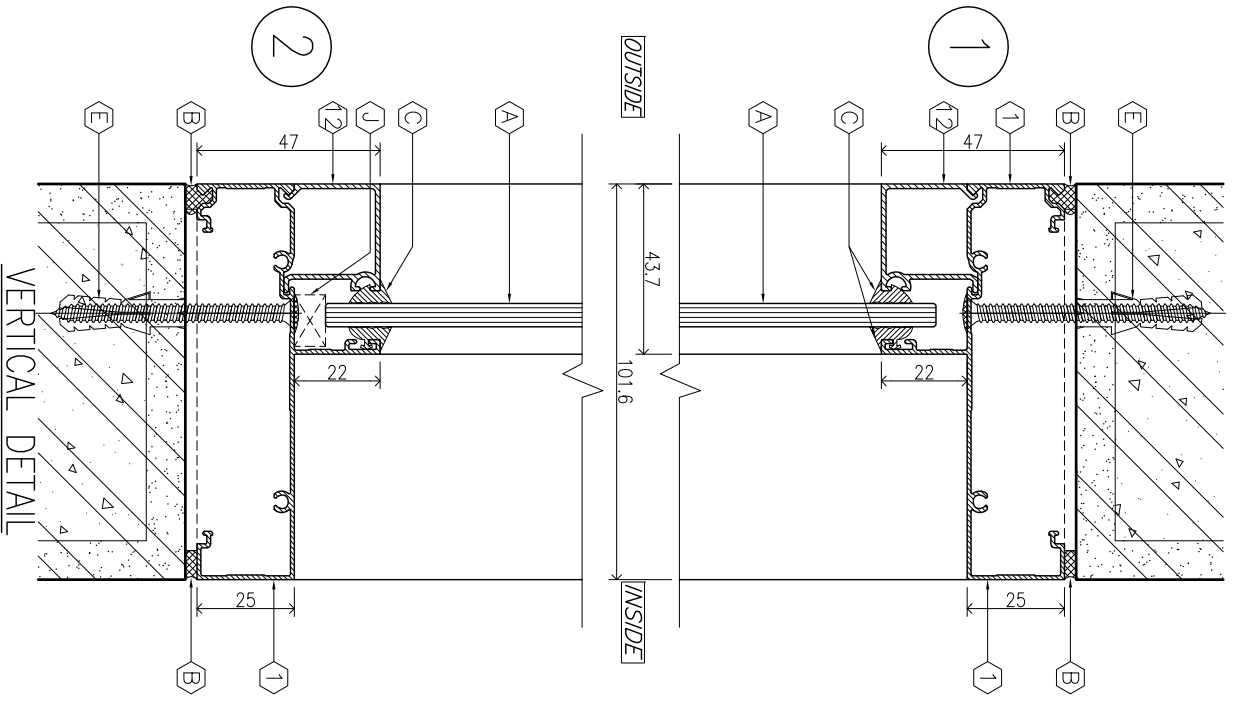
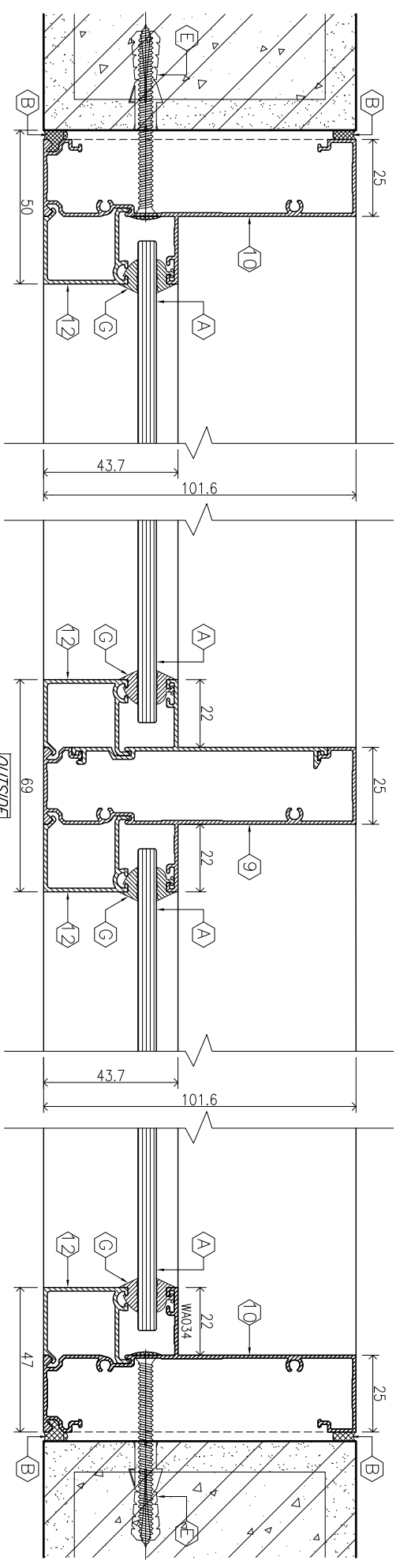
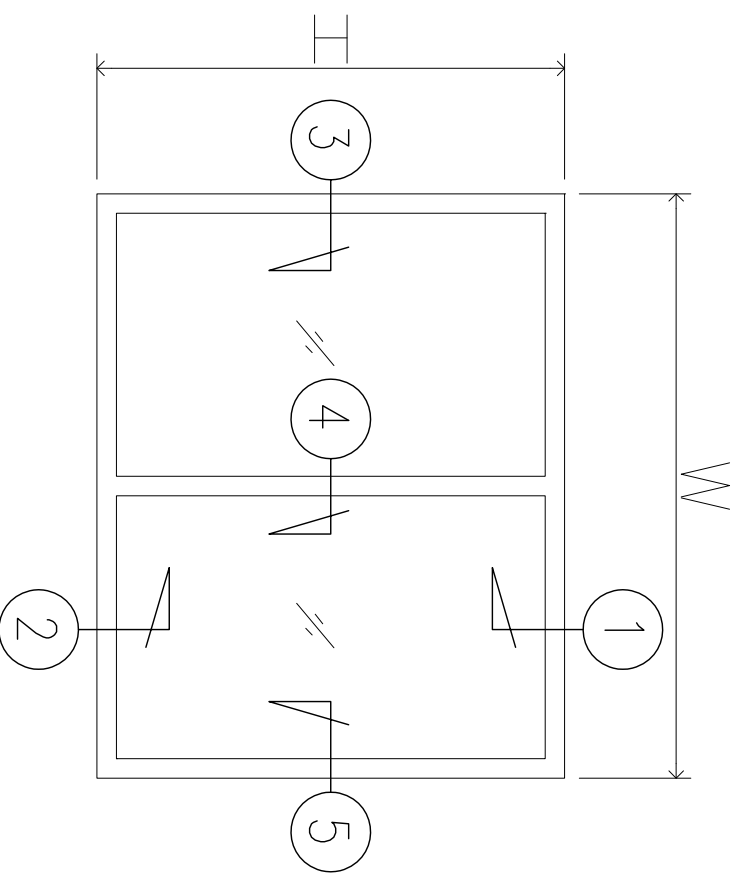


၂၂-၂၂ ဂီဂီဂီဂီ ဂီဂီဂီဂီ

SYMBOL	DESCRIPTION
①	ALUMINIUM EXTRUDED SECTION
	ALLOY 6063-T5
①	HEAD SECTION
②	TRANSOM SECTION
③	TOPRAIL SECTION
④	BOTTOMRAIL SECTION
⑤	SILL SECTION
⑥	LOCKER STILE SECTION
⑦	INNER LOCKER STILE SECTION
⑧	STILE SECTION
⑨	MULLION SECTION
⑩	JAMB SECTION
⑪	SASH SECTION
⑫	BEAD SECTION

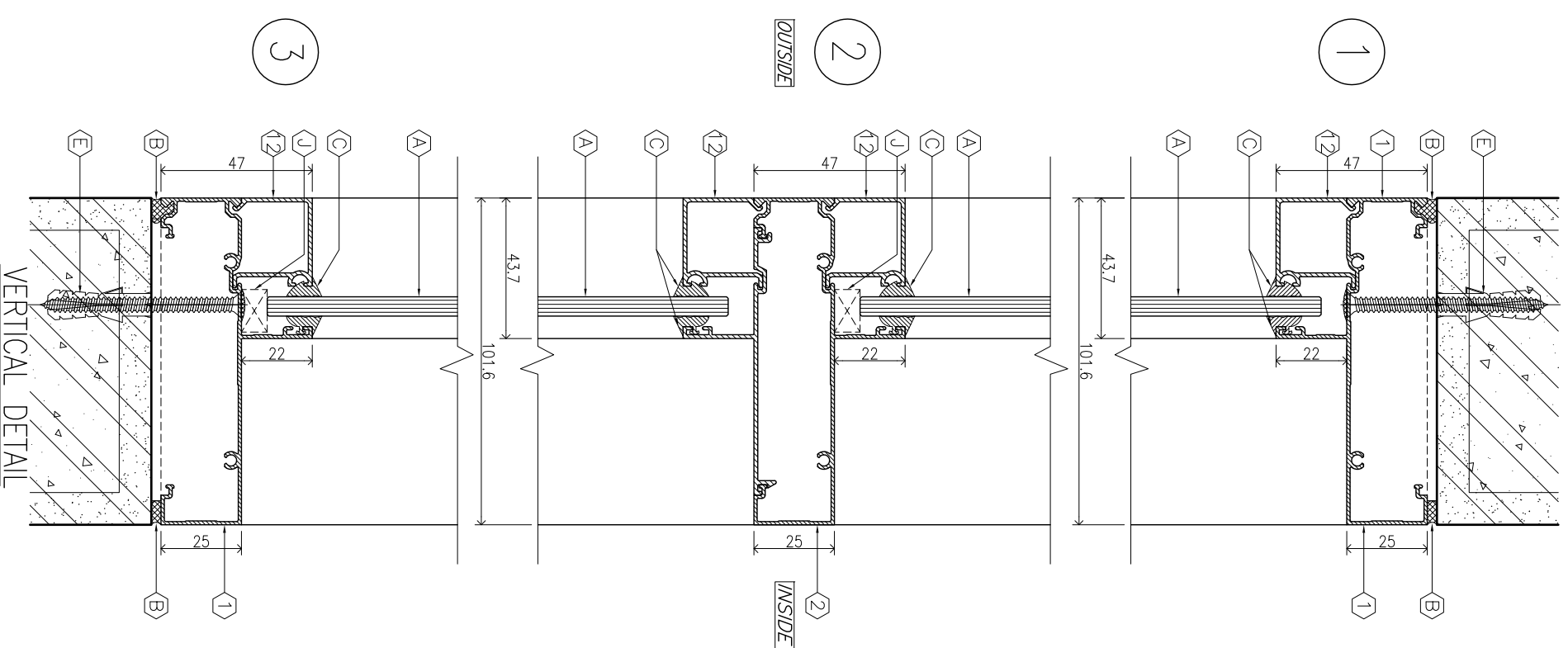
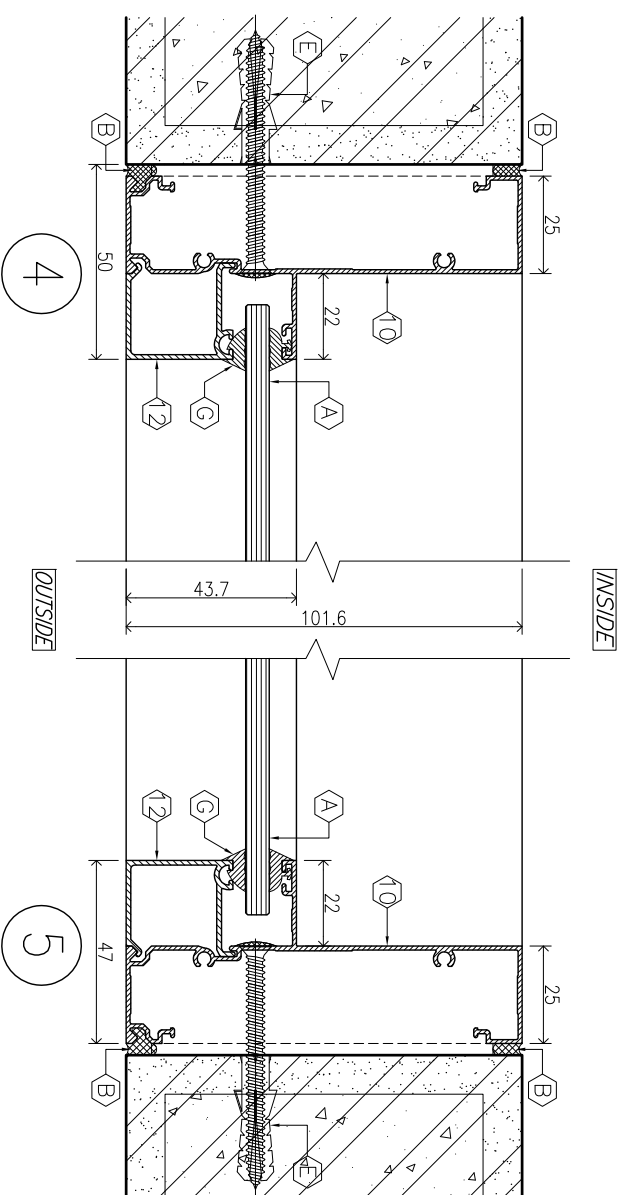
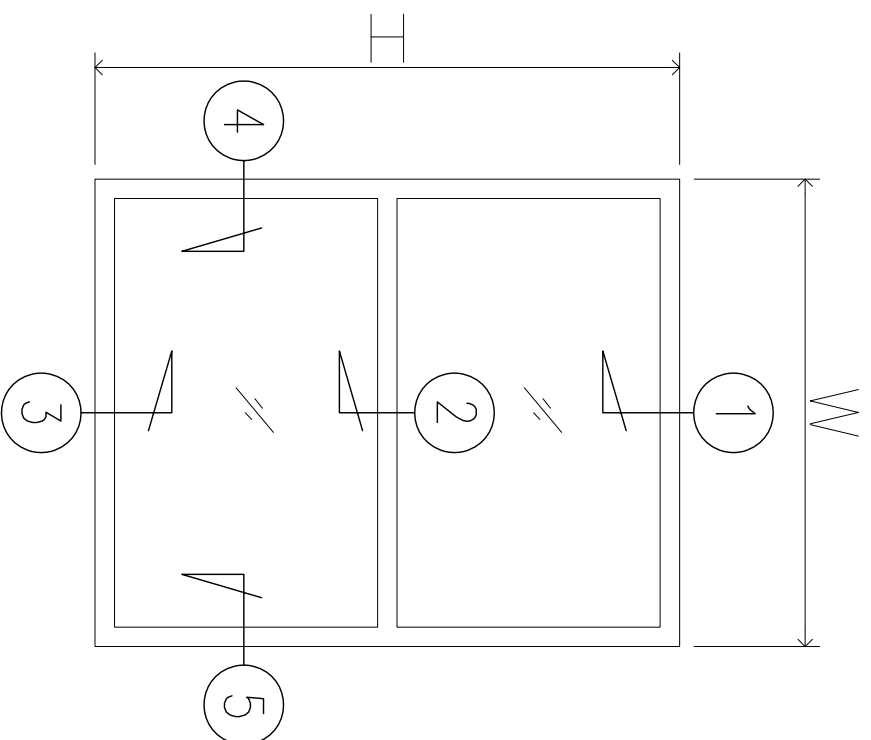
SYMBOL	DESCRIPTION
A	ACCESSORIES DOOR & WINDOW
B	GLASS PANELS
C	SILICONE SEALANT
D	GLAZING GASKET
E	BUBBLE GASKET
F	SCREW & NYLON PLUG
G	WOOL PILE
H	ROLLER SLIDING
I	HANDLE LOCK
J	CAM LOCK
K	SETTING BLOCK



PROJECT : STANDARD PROJECT	OWNER :	ALUMINIUM CONTRACTOR :																
LOCATION :	LOCATION :																	
DOOR & WINDOW TYPICAL STANDARD DETAIL																		
	DRAWING TITLE	REVISION																
		<table border="1" style="width:100%; border-collapse: collapse;"> <thead> <tr> <th>NO.</th> <th>DATE</th> <th>DESCRIPTION</th> <th>APPROVED</th> </tr> </thead> <tbody> <tr><td> </td><td> </td><td> </td><td> </td></tr> <tr><td> </td><td> </td><td> </td><td> </td></tr> <tr><td> </td><td> </td><td> </td><td> </td></tr> </tbody> </table>	NO.	DATE	DESCRIPTION	APPROVED												
NO.	DATE	DESCRIPTION	APPROVED															
	DATE :	APPROVED BY																
	DESIGN & DWG : MANIT SRISANGSUNG ML.4193																	
	CHKD. BY :	DRAWING NO.																
	SCALE : 1 : 2 (A3)	FCC-01																

SYMBOL	ACCESSORIES DOOR & WINDOW
(A)	GLASS PANELS
(B)	SILICONE SEALANT
(C)	GLAZING GASKET
(D)	BUBBLE GASKET
(E)	SCREW & NYLON PLUG
(F)	WOOL PILE
(G)	ROLLER SLIDING
(H)	HANDLE LOCK
(I)	CAM LOCK
(J)	SETTING BLOCK

SYMBOL	ALUMINIUM EXTRUDED SECTION ALLOY 6063-T5
(1)	HEAD SECTION
(2)	TRANSOM SECTION
(3)	TOPRAIL SECTION
(4)	BOTTOMRAIL SECTION
(5)	SILL SECTION
(6)	LOCKER STILE SECTION
(7)	INNER LOCKER STILE SECTION
(8)	STILE SECTION
(9)	MULLION SECTION
(10)	JAMB SECTION
(11)	SASH SECTION
(12)	BEAD SECTION



PROJECT :
STANDARD PROJECT

OWNER :
LOCATION :

ALUMINIUM CONTRACTOR :
ORM
ALUMINIUM ORN (THAILAND) CO.,LTD.
27/28 Moo 11, Bangna-Boonrat
Road, Bangna Suburb, Bangkok
Tel. 096-755-8363, 093-755-8364

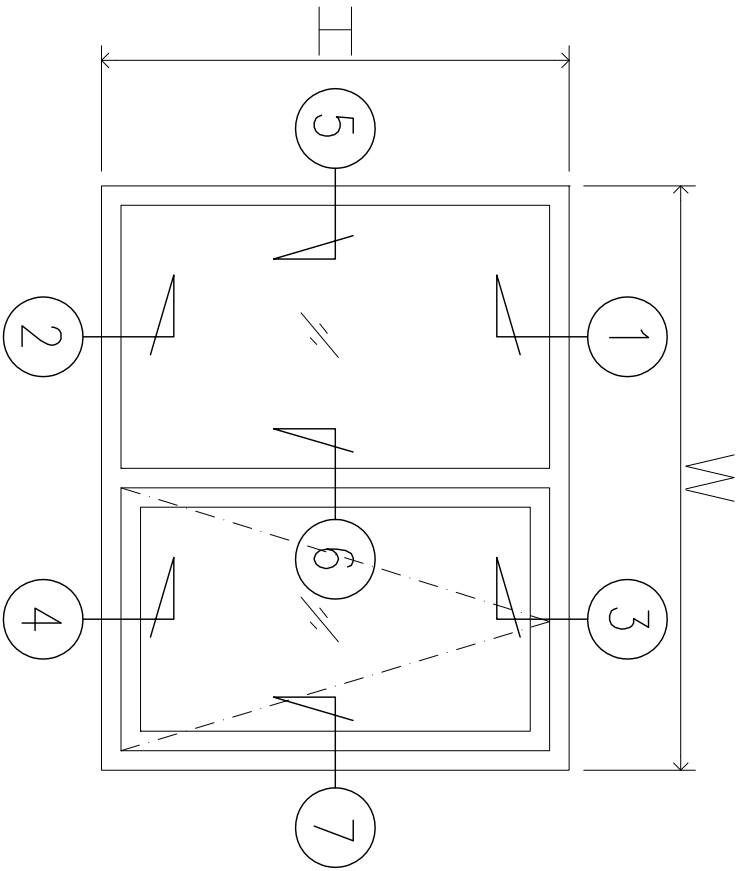
DRAWING TITLE
DOOR & WINDOW
TYPICAL STANDARD DETAIL

NO.	DATE	REVISION DESCRIPTION	APPROVED	DATE	APPROVED BY

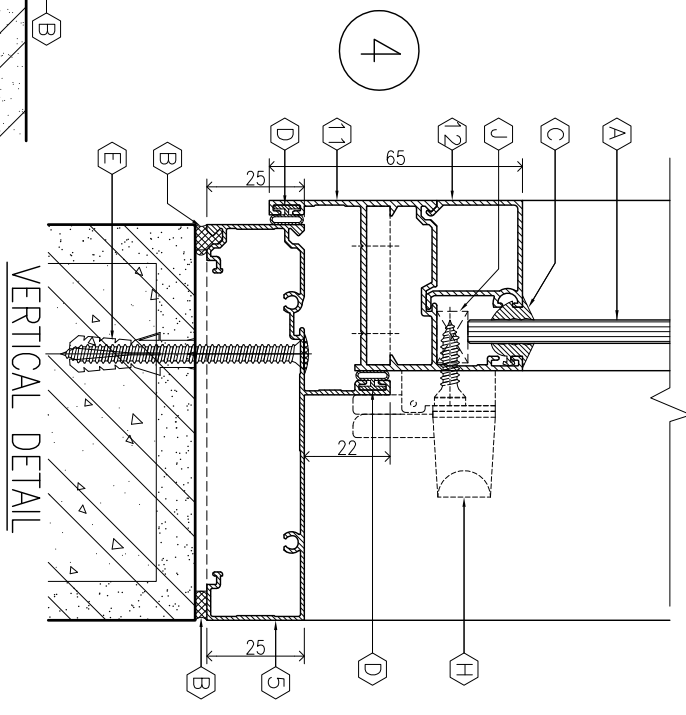
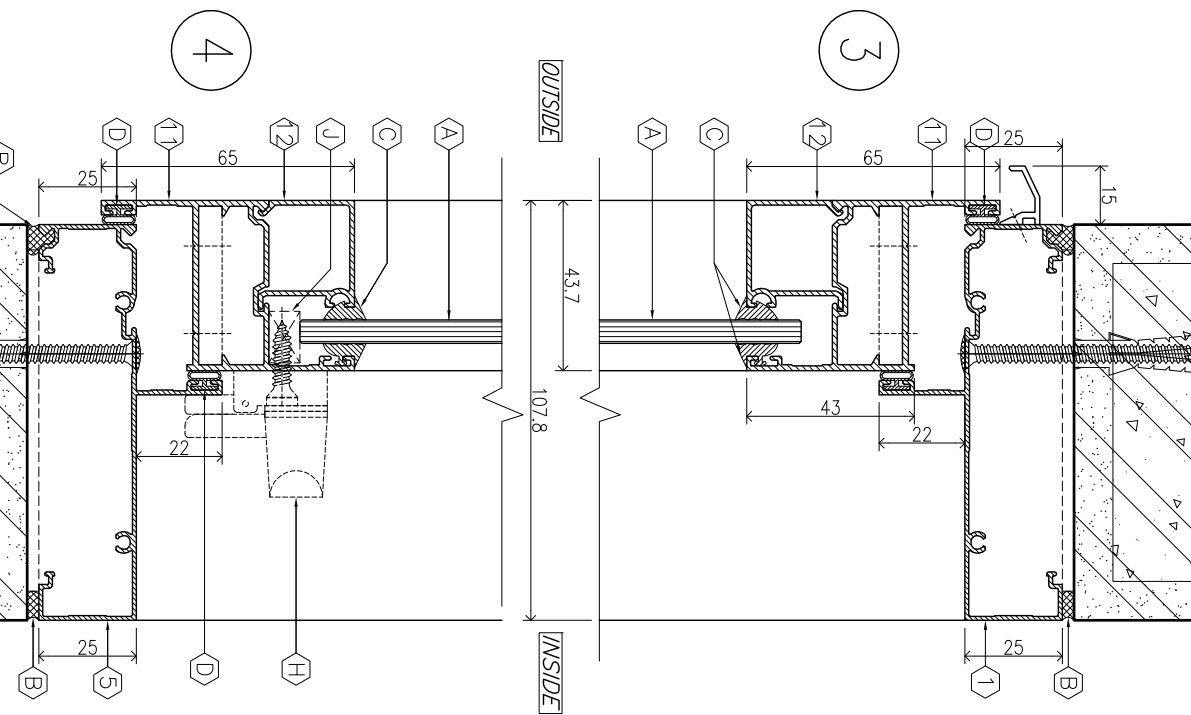
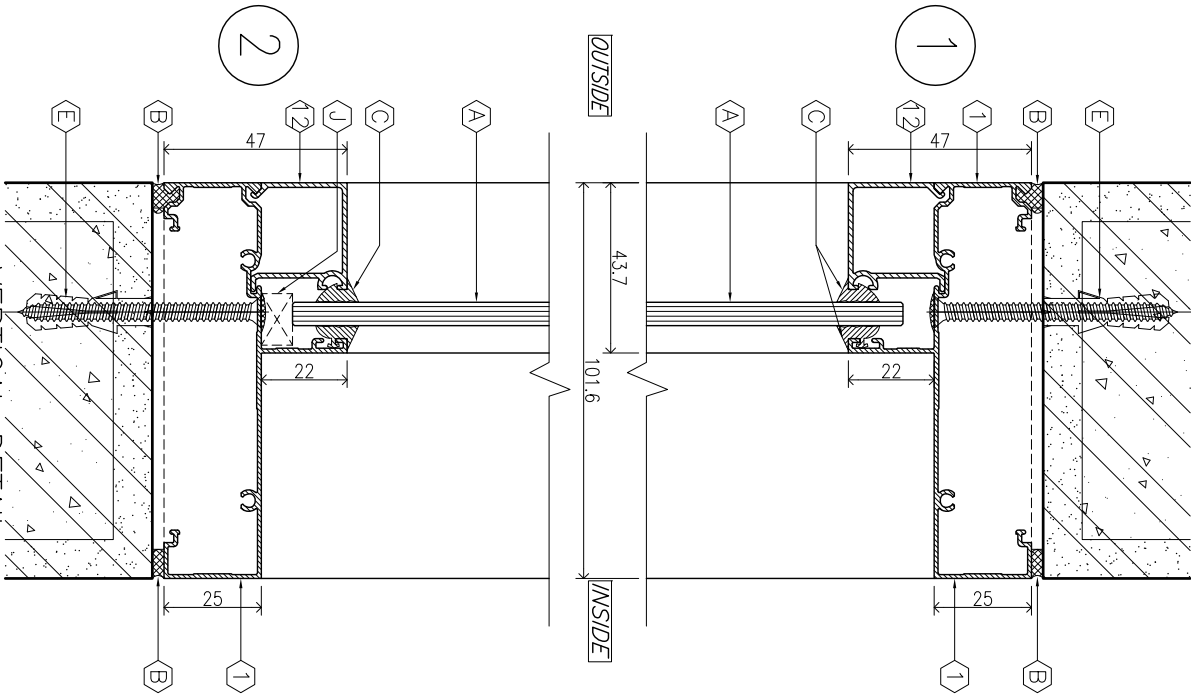
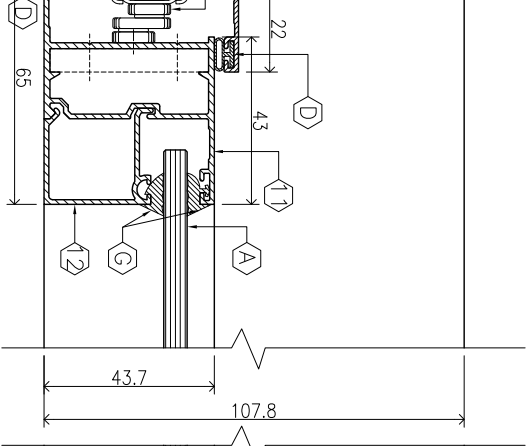
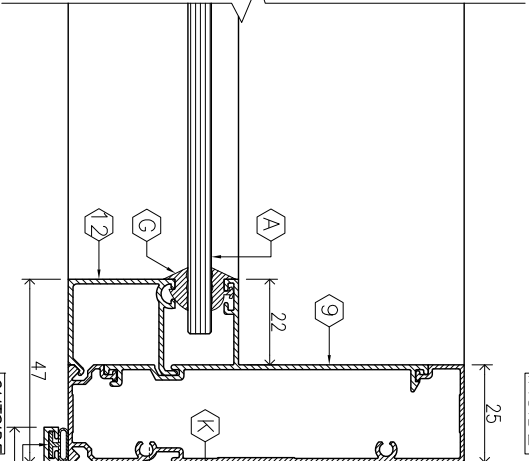
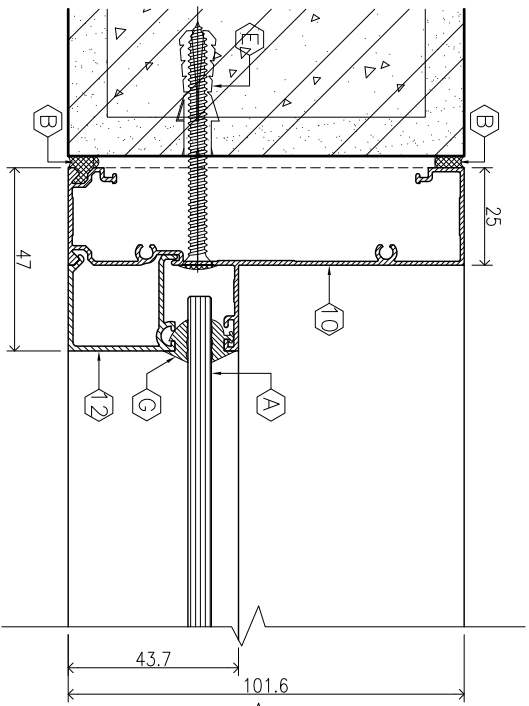
DESIGN & DWN : MANIT SRISANGSUNG ML.4193
CHKD. BY :
SCALE : 1 : 2 (A3)
DRAWING NO. FCC-02

SYMBOL	DESCRIPTION
①	ALUMINIUM EXTRUDED SECTION ALLOY 6063-T5
②	HEAD SECTION
③	TRANSOM SECTION
④	TOPRAIL SECTION
⑤	BOTTOMRAIL SECTION
⑥	SILL SECTION
⑦	LOCKER STILE SECTION
⑧	INNER LOCKER STILE SECTION
⑨	MULLION SECTION
⑩	JAMB SECTION
⑪	SASH SECTION
⑫	BEAD SECTION

SYMBOL	DESCRIPTION
(A)	ACCESSORIES DOOR & WINDOW
(B)	GLASS PANELS
(C)	SILICONE SEALANT
(D)	GLAZING GASKET
(E)	BUBBLE GASKET
(F)	SCREW & NYLON PLUG
(G)	WOOL PILE
(H)	ROLLER SLIDING
(I)	HANDLE LOCK
(J)	CAM LOCK
(K)	SETTING BLOCK

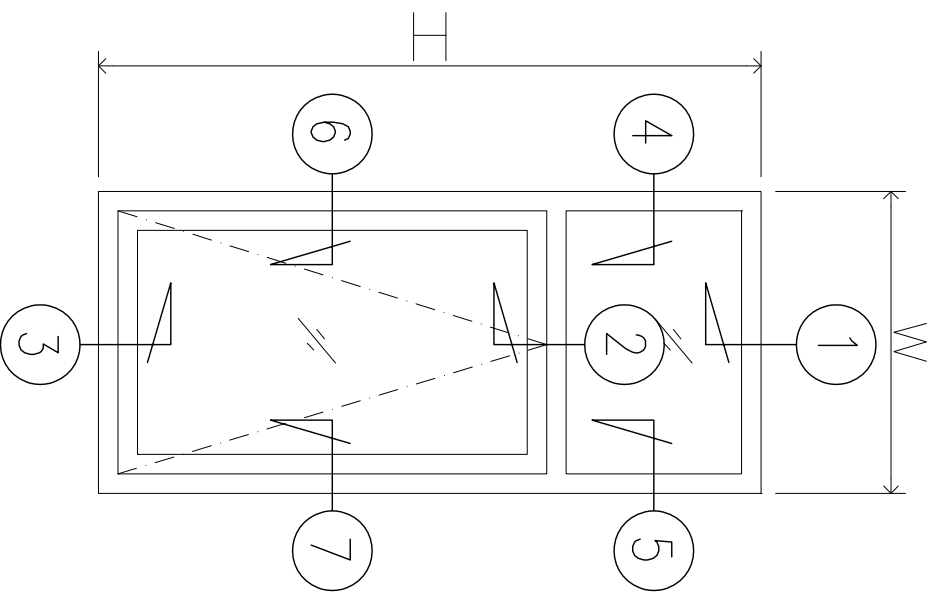


TYPICAL FIXED & CASEMENT WINDOW ELEVATION



HORIZONTAL DETAIL

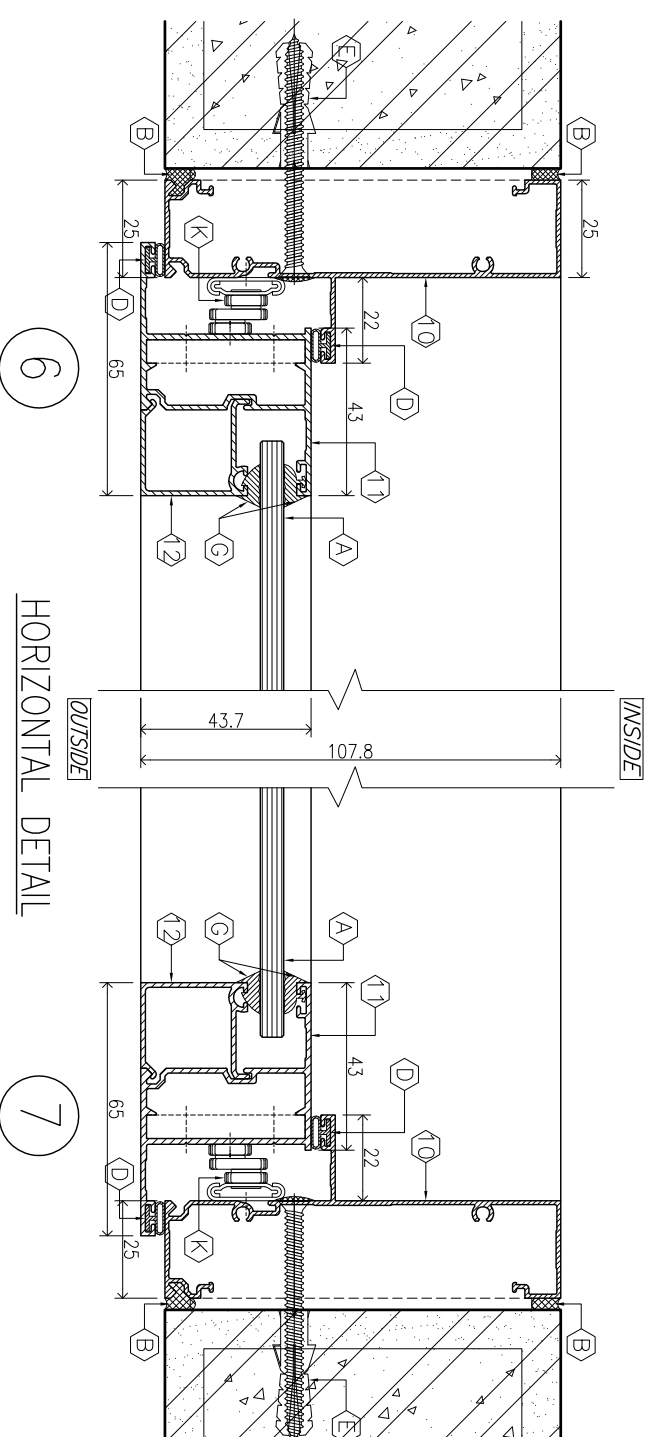
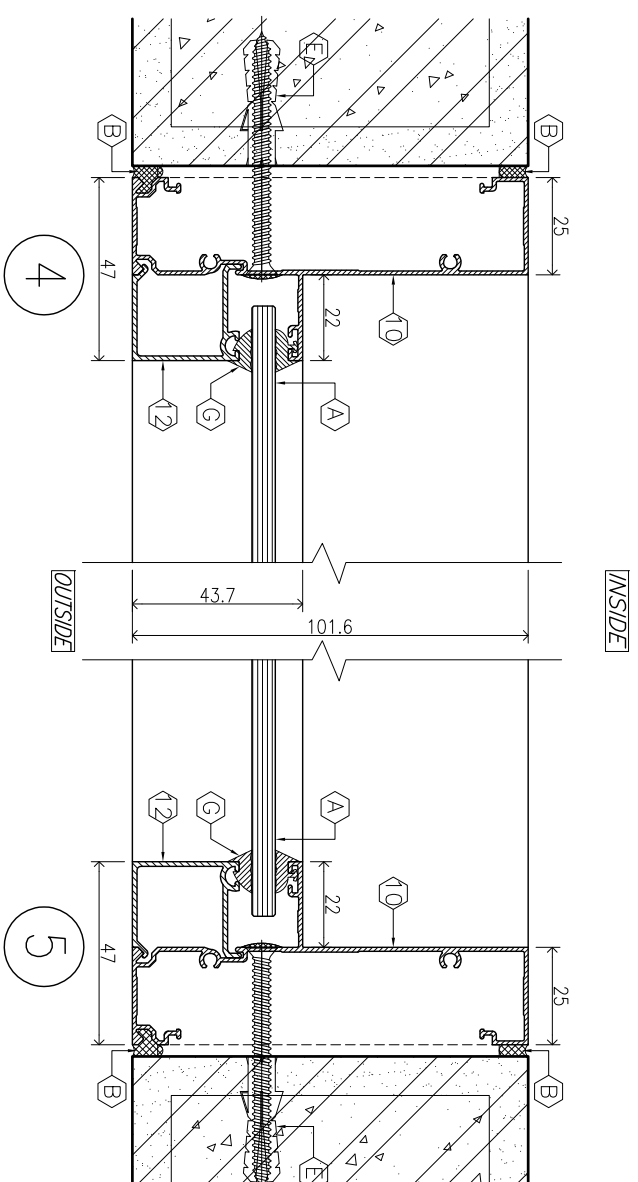
PROJECT :	OWNER :	ALUMINIUM CONTRACTOR :	DRAWING TITLE
STANDARD PROJECT		ORM	DOOR & WINDOW TYPICAL STANDARD DETAIL
LOCATION :	LOCATION :	ALUMINIUM ORA (THAILAND) CO.,LTD. 27/28 Moo 11,111 No.111/111,111 Tel. : 09-755-8363, 097-755-8364	NO. DATE DESCRIPTION APPROVED
			DATE : DESIGN & DIMN : MANIT SRSANGSUNG ML.4193 CHKD. BY : SCALE : 1 : 2 (A3) APPROVED BY : FCC-03



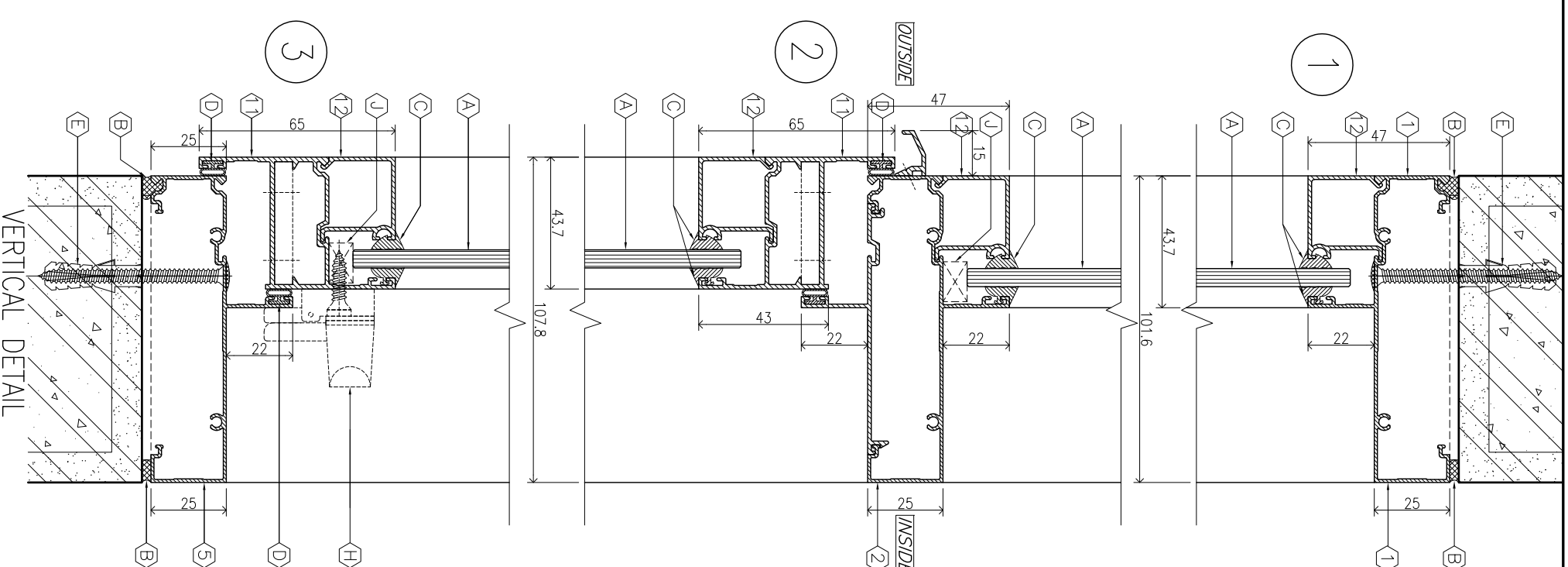
TYPICAL FIXED & CASEMENT WINDOW ELEVATION

SYMBOL	ALUMINIUM EXTRUDED SECTION ALLOY 6063-T5
①	HEAD SECTION
②	TRANSOM SECTION
③	TOPRAIL SECTION
④	BOTTOMRAIL SECTION
⑤	SILL SECTION
⑥	LOCKER STILE SECTION
⑦	INTER LOCKER STILE SECTION
⑧	STILE SECTION
⑨	MULLION SECTION
⑩	JAMB SECTION
⑪	SASH SECTION
⑫	BEAD SECTION

SYMBOL	ACCESSORIES DOOR & WINDOW
A	GLASS PANELS
B	SILICONE SEALANT
C	GLAZING GASKET
D	BUBBLE GASKET
E	SCREW & NYLON PLUG
F	WOOL PILE
G	ROLLER SLIDING
H	HANDLE LOCK
I	CAM LOCK
J	SETTING BLOCK



HORIZONTAL DETAIL

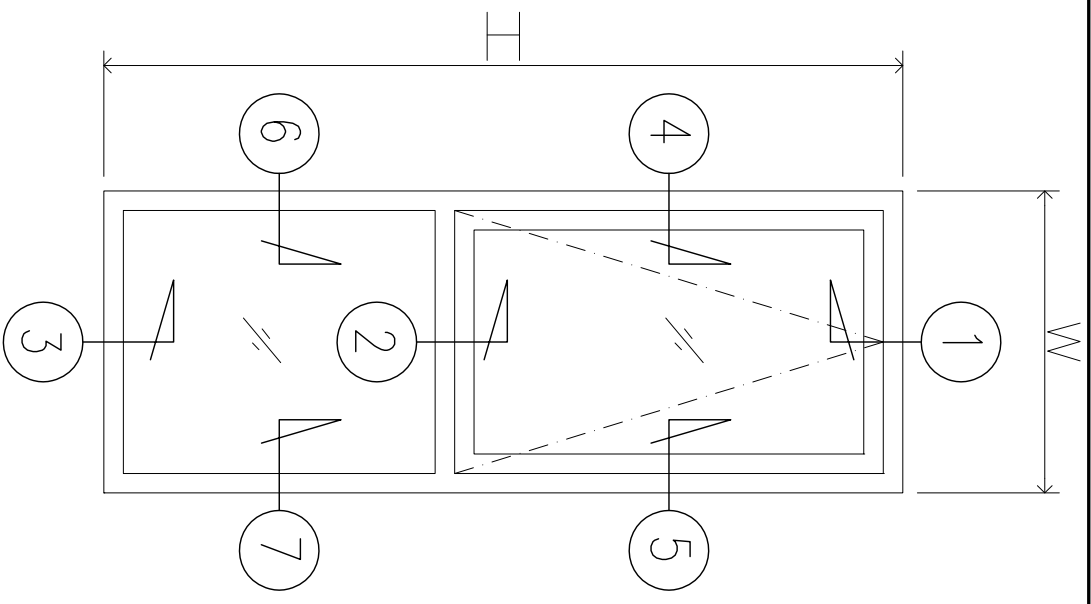


VERTICAL DETAIL

PROJECT : STANDARD PROJECT
 LOCATION :
 OWNER :
 LOCATION :
 ALUMINIUM CONTRACTOR :
ORM
 ALUMINIUM (THAILAND) CO., LTD.
 27/28 Moo 11, Bangna-Boonmee Road, Bangna District, Bangkok 10700, Thailand
 Tel. : 096-755-8363, 093-755-8364
 DRAWING TITLE : DOOR & WINDOW TYPICAL STANDARD DETAIL

NO.	DATE	REVISION DESCRIPTION	APPROVED

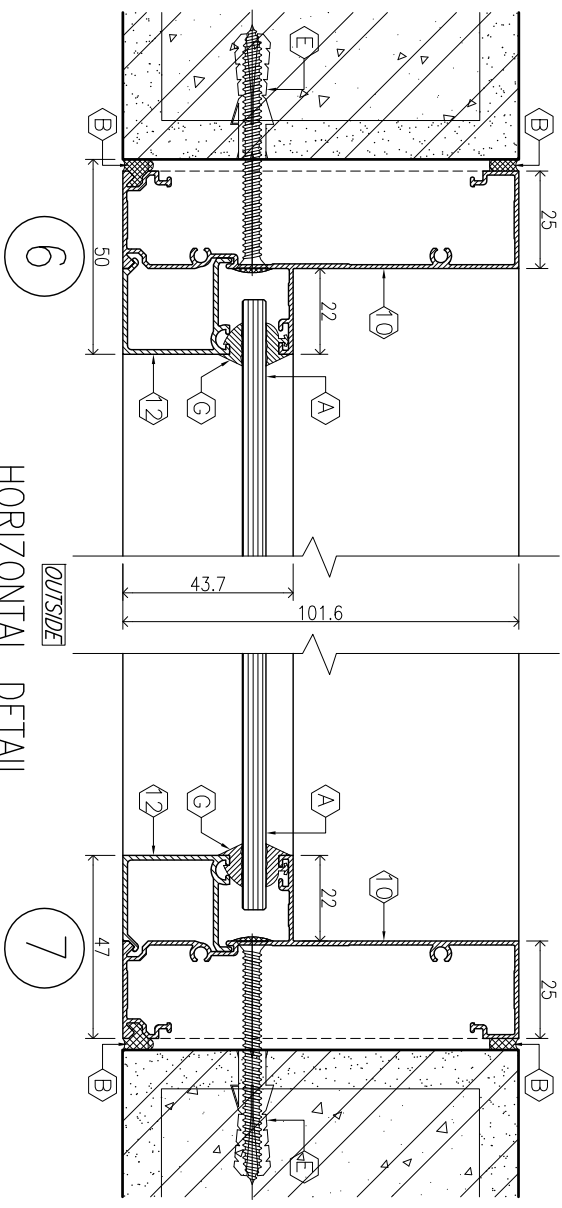
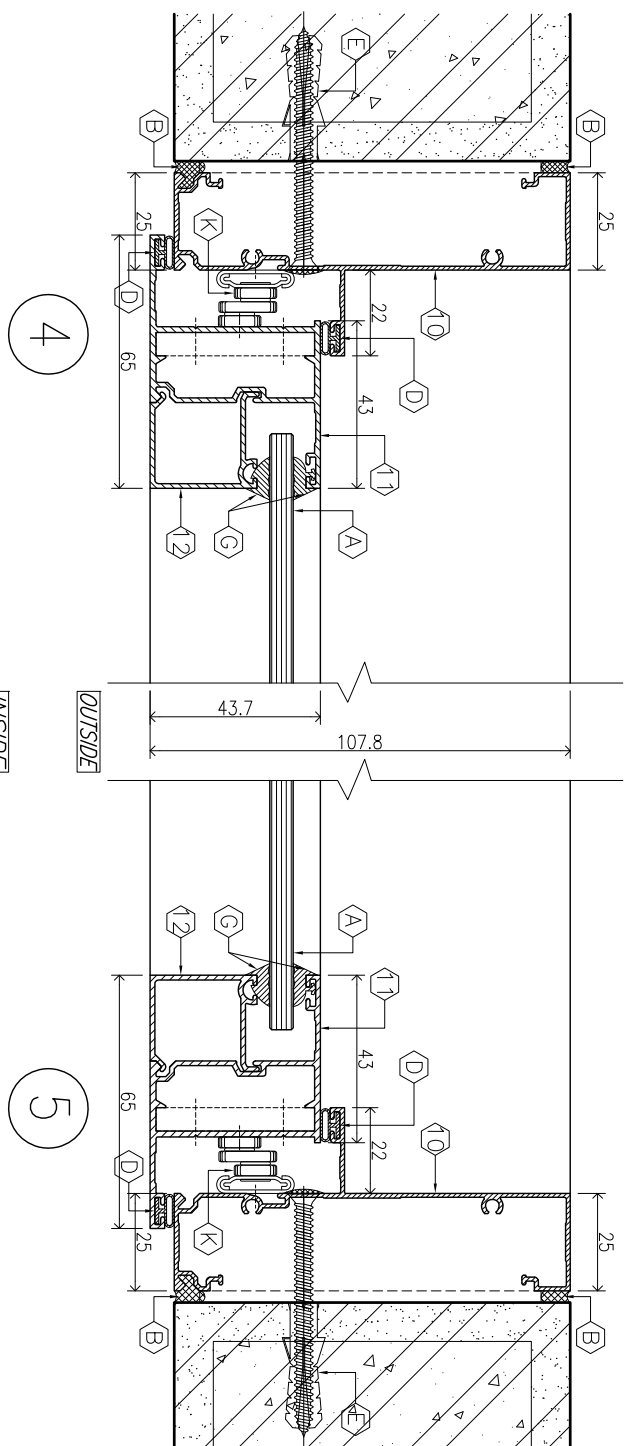
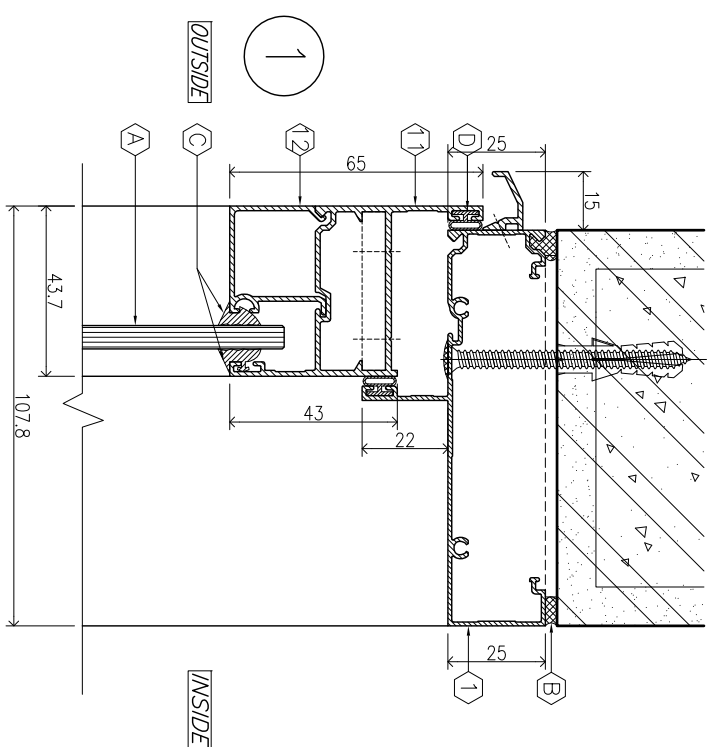
 DATE :
 DESIGN & DWN : MANIT SRISANGSUNG ML.4193
 CHKD. BY :
 SCALE : 1 : 2 (A3)
 APPROVED BY :
 DRAWING NO. FCC-04



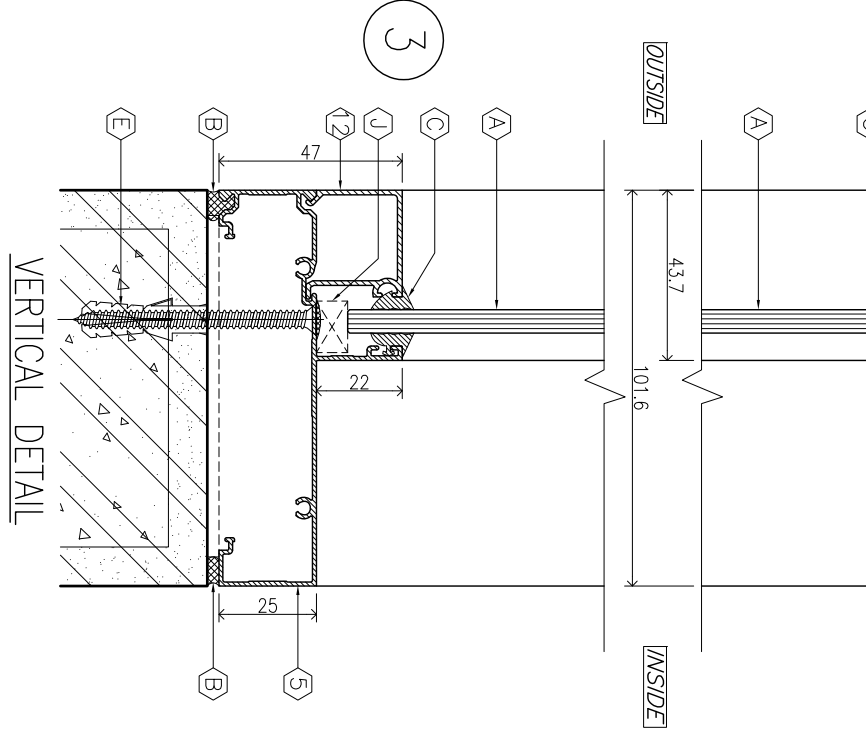
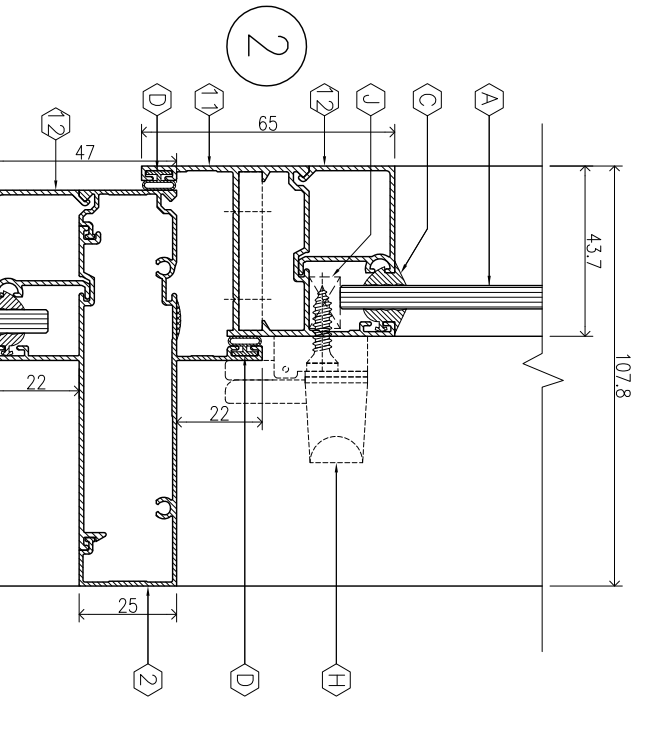
TYPICAL FIXED & CASEMENT WINDOW ELEVATION

SYMBOL	DESCRIPTION
①	ALUMINIUM EXTRUDED SECTION ALLOY 6063-T5
②	HEAD SECTION
③	TRANSOM SECTION
④	TOPRAIL SECTION
⑤	BOTTOMRAIL SECTION
⑥	SILL SECTION
⑦	LOCKER STILE SECTION
⑧	INNER LOCKER STILE SECTION
⑨	STILE SECTION
⑩	MULLION SECTION
⑪	JAMB SECTION
⑫	SASH SECTION
⑬	BEAD SECTION

SYMBOL	DESCRIPTION
A	ACCESSORIES DOOR & WINDOW
B	GLASS PANELS
C	SILICONE SEALANT
D	GLAZING GASKET
E	BUBBLE GASKET
F	SCREW & NYLON PLUG
G	Wool Pile
H	ROLLER SLIDING
I	HANDLE LOCK
J	CAM LOCK
K	SETTING BLOCK



HORIZONTAL DETAIL

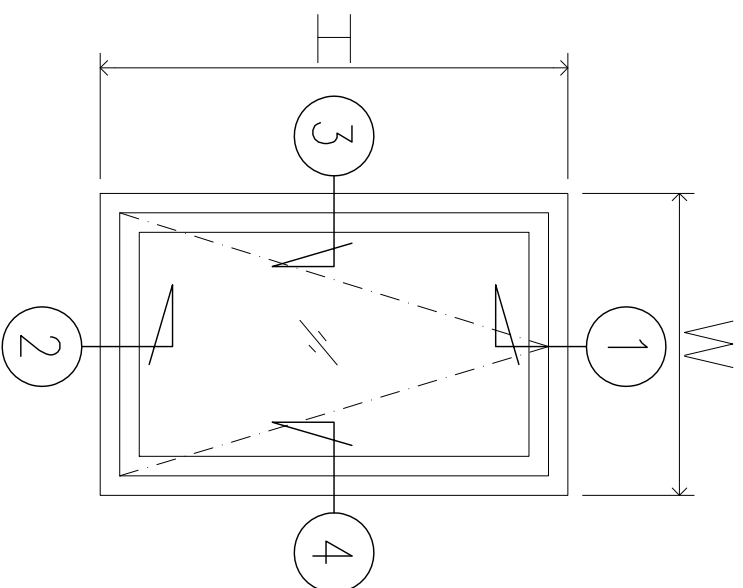


VERTICAL DETAIL

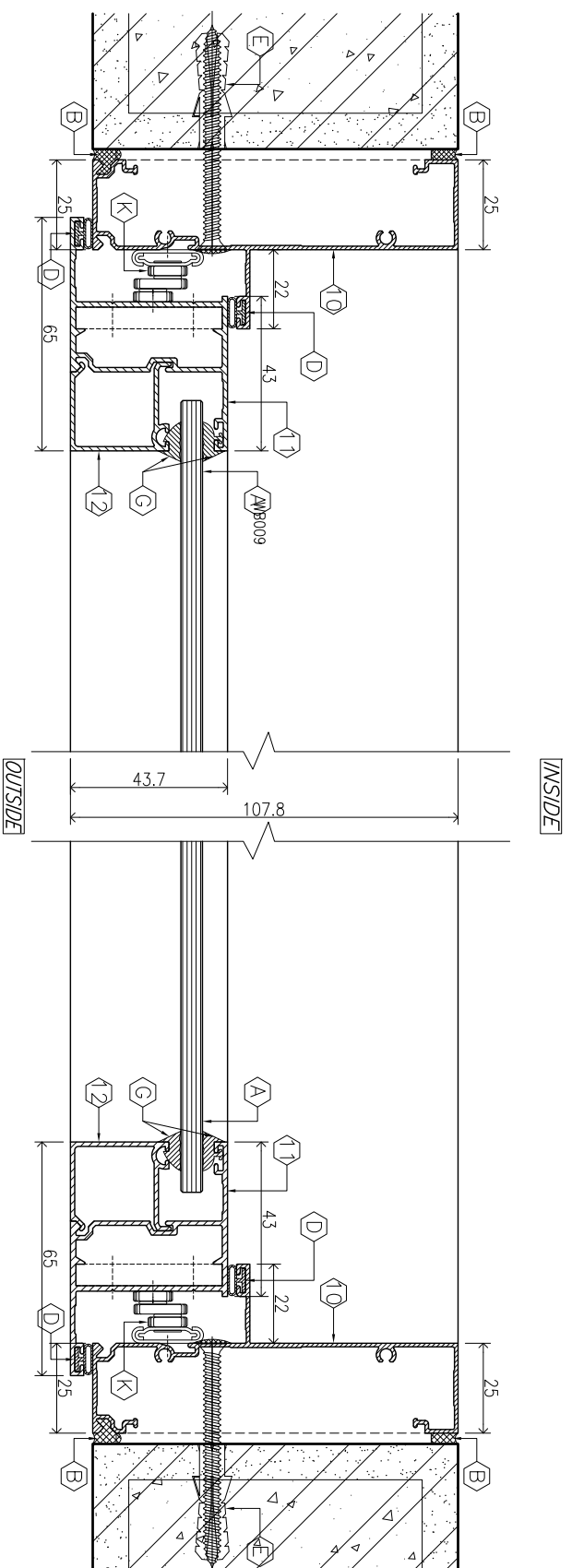
PROJECT : STANDARD PROJECT	OWNER :	AUMINIUM CONTRACTOR : ORM ALUMINIUM ORN (THAILAND) CO., LTD. 27/28 Moo 11, Bangna-Boonrat Road, Bangna Suburb, Bangkok 10700, Thailand Tel. : 086-755-8363, 093-755-8364	DRAWING TITLE DOOR & WINDOW TYPICAL STANDARD DETAIL	NO.	DATE	REVISION DESCRIPTION	APPROVED	DATE :	DESIGN & DWN : MANIT SRSANGSUNG ML.4193	APPROVED BY
LOCATION :	LOCATION :								CHKD. BY :	
									SCALE : 1 : 2 (A3)	DRAWING NO. FCC-05

ALUMINIUM EXTRUDED SECTION ALLOY 6063-T5
① HEAD SECTION
② TRANSOM SECTION
③ TOPRAIL SECTION
④ BOTTOMRAIL SECTION
⑤ SILL SECTION
⑥ LOCKER STILE SECTION
⑦ INNER LOCKER STILE SECTION
⑧ STILE SECTION
⑨ MULLION SECTION
⑩ JAMB SECTION
⑪ SASH SECTION
⑫ BEAD SECTION

ACCESSORIES DOOR & WINDOW
⑬ GLASS PANELS
⑭ SILICONE SEALANT
⑮ GLAZING GASKET
⑯ BUBBLE GASKET
⑰ SCREW & NYLON PLUG
⑱ WOOL PILE
⑲ ROLLER SLIDING
⑳ HANDLE LOCK
㉑ CAM LOCK
㉒ SETTING BLOCK



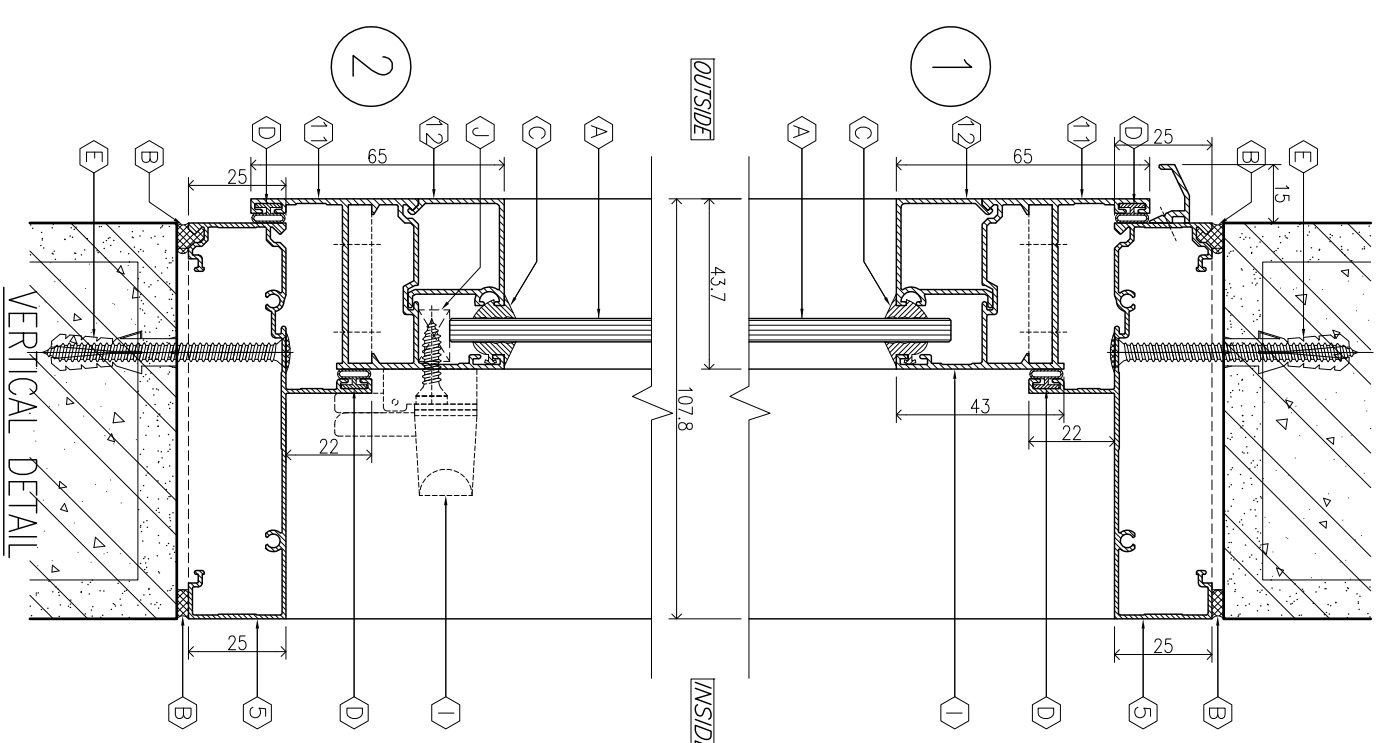
TYPICAL CASEMENT WINDOW ELEVATION



3

HORIZONTAL DETAIL

4



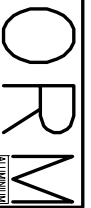
2

VERTICAL DETAIL

PROJECT :
STANDARD PROJECT
LOCATION :

OWNER :
LOCATION :

ALUMINIUM CONTRACTOR :



ALUMINIUM ORN (THAILAND) CO.,LTD.
27/28 Moo 11, Bangma Boengye
Bangkok, Thailand
Tel. : 096-755-8363, 097-755-8364

DRAWING TITLE
**DOOR & WINDOW
TYPICAL STANDARD DETAIL**

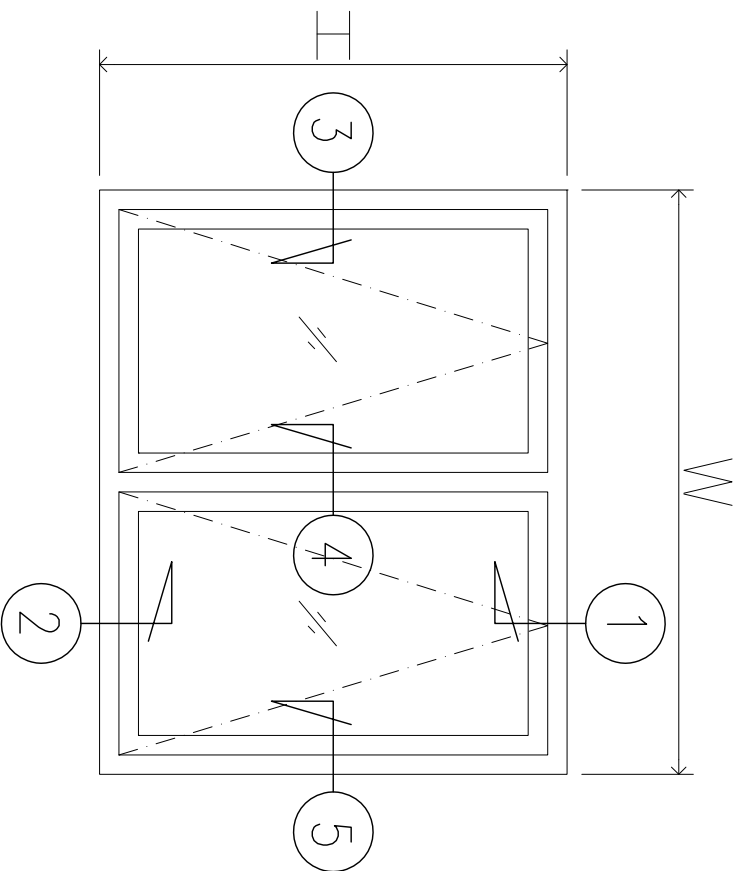
REVISION		DATE :		APPROVED BY
NO.	DATE	DESCRIPTION	APPROVED	

DESIGN & DWN : MANIT SRISANGSUNG ML.4193
CHKD. BY :
SCALE : 1 : 2 (A3)

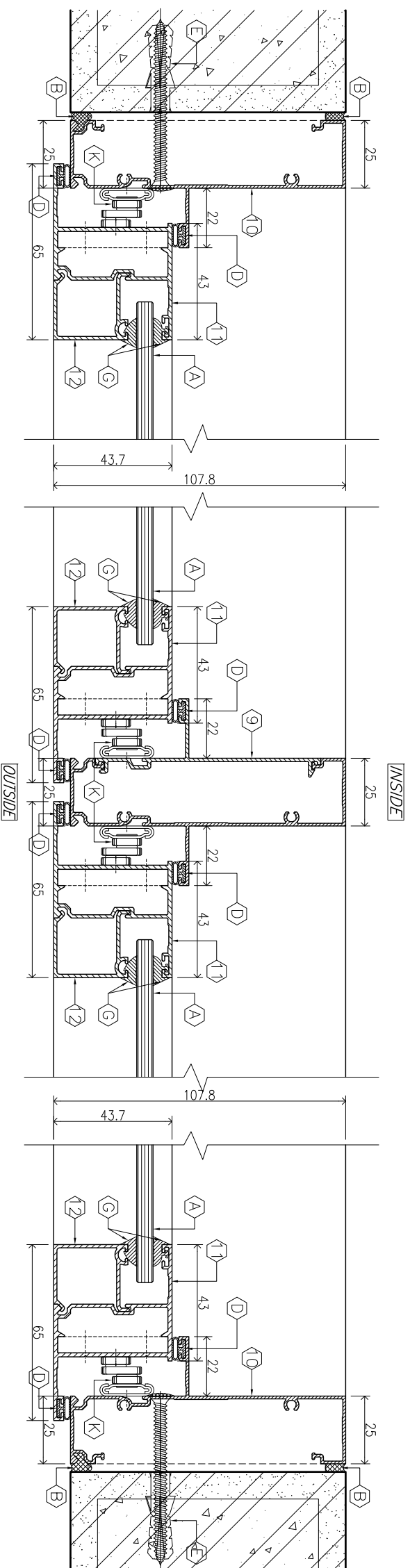
DRAWING NO. **FCC-06**

SYMBOL	ALUMINIUM EXTRUDED SECTION ALLOY 6063-T5
①	HEAD SECTION
②	TRANSOM SECTION
③	TOPRAIL SECTION
④	BOTTOMRAIL SECTION
⑤	SILL SECTION
⑥	LOCKER STILE SECTION
⑦	INNER LOCKER STILE SECTION
⑧	STILE SECTION
⑨	MULLION SECTION
⑩	JAMB SECTION
⑪	SASH SECTION
⑫	BEAD SECTION

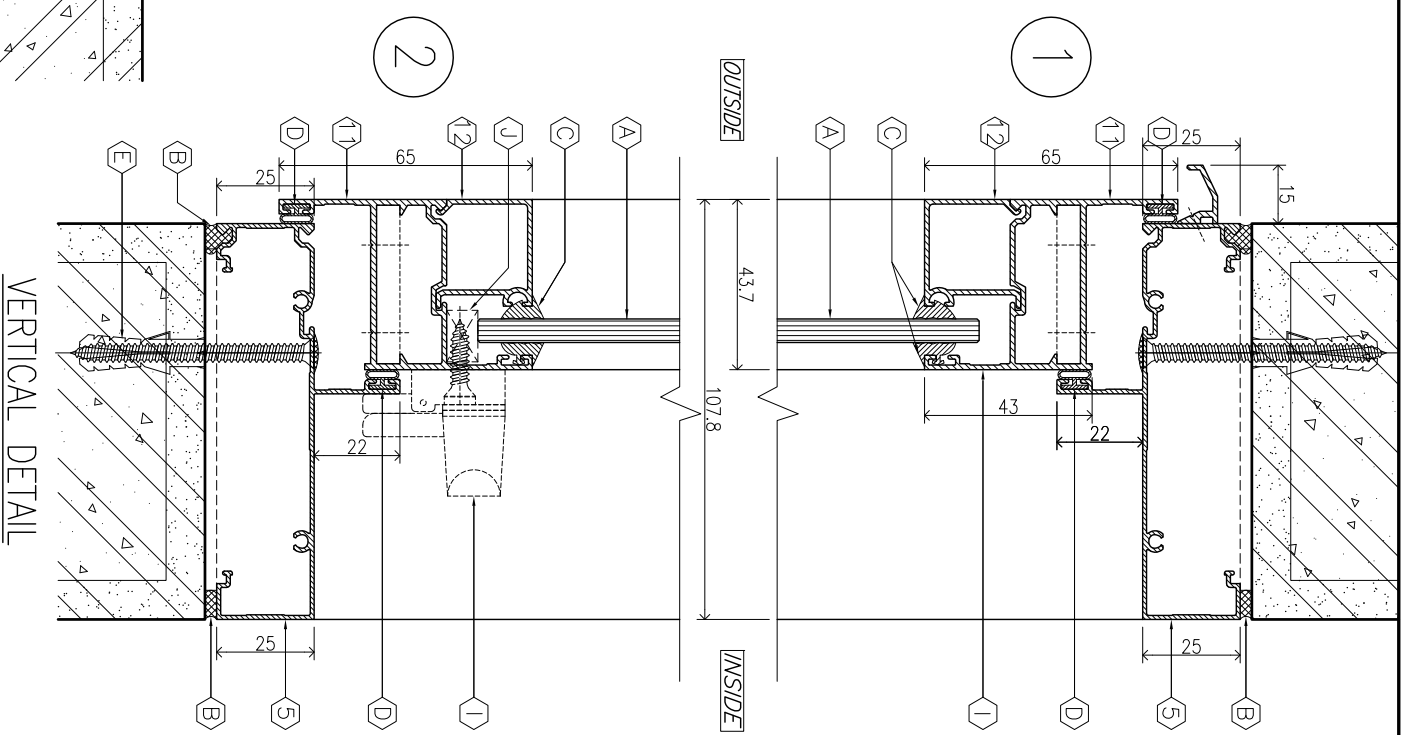
SYMBOL	ACCESSORIES DOOR & WINDOW
Ⓐ	GLASS PANELS
Ⓑ	SILICONE SEALANT
Ⓒ	GLAZING GASKET
Ⓓ	BUBBLE GASKET
Ⓔ	SCREW & NYLON PLUG
Ⓕ	WOOL PILE
Ⓖ	ROLLER SLIDING
Ⓗ	HANDLE LOCK
Ⓘ	CAM LOCK
Ⓚ	SETTING BLOCK



TYPICAL CASEMENT WINDOW ELEVATION



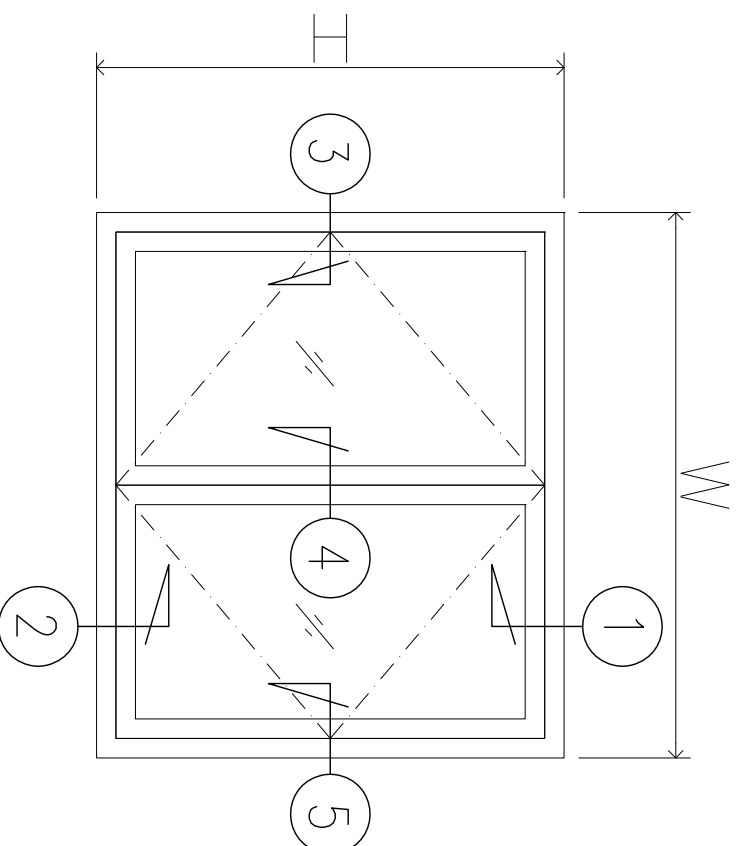
HORIZONTAL DETAIL



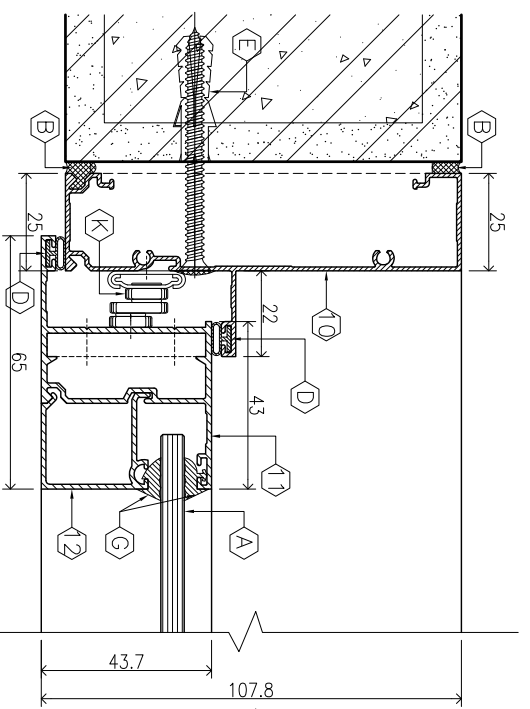
VERTICAL DETAIL

PROJECT : STANDARD PROJECT		OWNER :		ALUMINIUM CONTRACTOR :		DRAWING TITLE	
LOCATION :		LOCATION :		 ALUMINIUM ORN (THAILAND) CO.,LTD. 27/28 Moo 11, Bangma Boengye Bangma Boengye, Bangma Boengye Tel. : 096-765-8863, 093-765-8884		DOOR & WINDOW TYPICAL STANDARD DETAIL	
NO.		DATE		REVISION		APPROVED	
DATE :		DESIGN & DWN : MANIT SRISANGSUNG ML.4193		APPROVED BY		DRAWING NO. FCC-07	
SCALE : 1 : 2 (A3)							

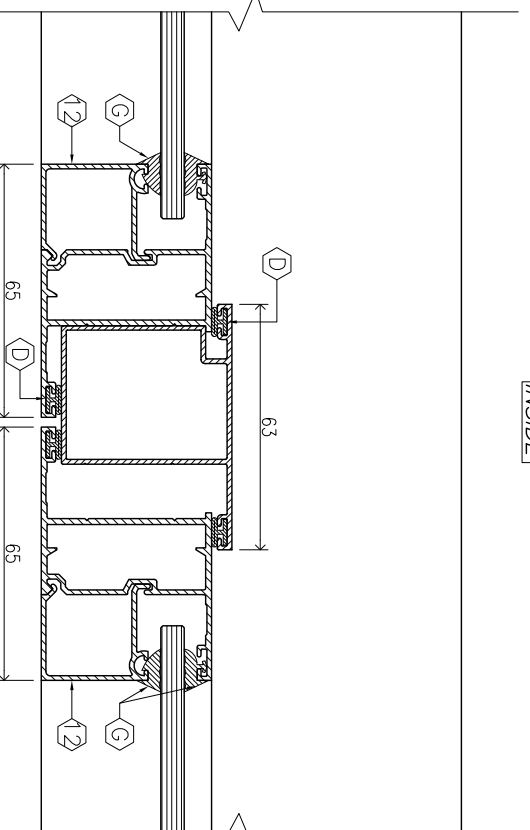
SYMBOL	DESCRIPTION
①	ALUMINIUM EXTRUDED SECTION ALLOY 6063-T5
②	HEAD SECTION
③	TRANSOM SECTION
④	TOPRAIL SECTION
⑤	BOTTOMRAIL SECTION
⑥	SILL SECTION
⑦	LOCKER STILE SECTION
⑧	INNER LOCKER STILE SECTION
⑨	MULLION SECTION
⑩	JAMB SECTION
⑪	SASH SECTION
⑫	BEAD SECTION
	ACCESSORIES DOOR & WINDOW
(A)	GLASS PANELS
(B)	SILICONE SEALANT
(C)	GLAZING GASKET
(D)	BUBBLE GASKET
(E)	SCREW & NYLON PLUG
(F)	WOOL PILE
(G)	ROLLER SLIDING
(H)	HANDLE LOCK
(I)	CAM LOCK
(J)	SETTING BLOCK



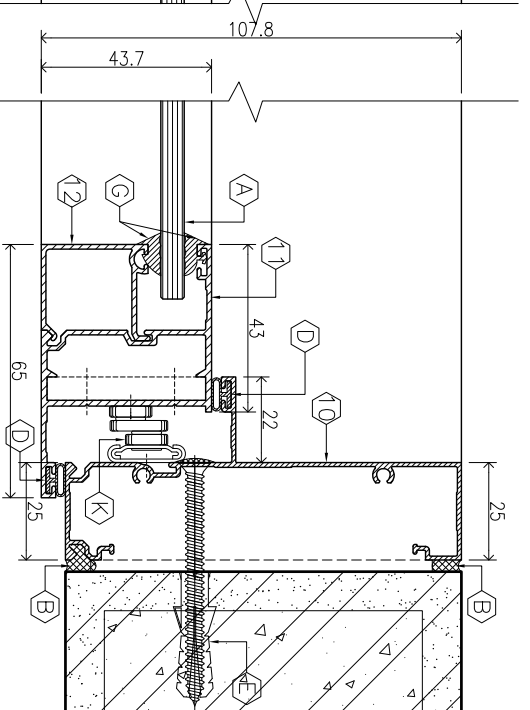
TYPICAL CASEMENT WINDOW ELEVATION



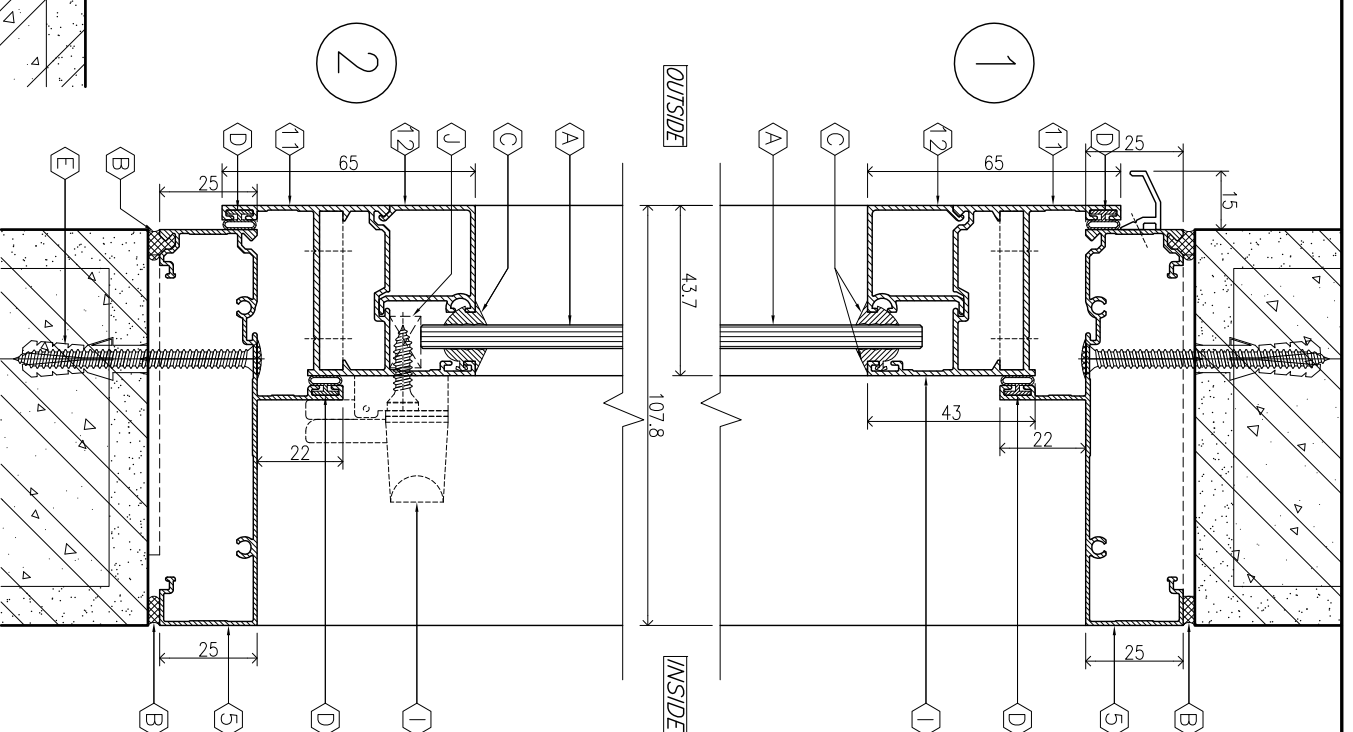
3



4



5



VERTICAL DETAIL

HORIZONTAL DETAIL

PROJECT : STANDARD PROJECT LOCATION :	OWNER :	ALUMINIUM CONTRACTOR : ORM ALUMINIUM (THAILAND) CO., LTD. 27/25 Moo 11, Bangmae Boeypa Bangmae Suburb, Bangkok 10210 Tel. : 096-765-8863, 093-765-8864	DRAWING TITLE DOOR & WINDOW TYPICAL STANDARD DETAIL	<table border="1" style="width: 100%; border-collapse: collapse;"> <thead> <tr> <th>NO.</th> <th>DATE</th> <th>REVISION DESCRIPTION</th> <th>APPROVED</th> </tr> </thead> <tbody> <tr> <td> </td> <td> </td> <td> </td> <td> </td> </tr> </tbody> </table>	NO.	DATE	REVISION DESCRIPTION	APPROVED					DATE : DESIGN & DWG : MANIT SRISANGSUNG ML.4193 CHKD. BY : SCALE : 1 : 2 (A3)	APPROVED BY : FCC-08
NO.	DATE	REVISION DESCRIPTION	APPROVED											