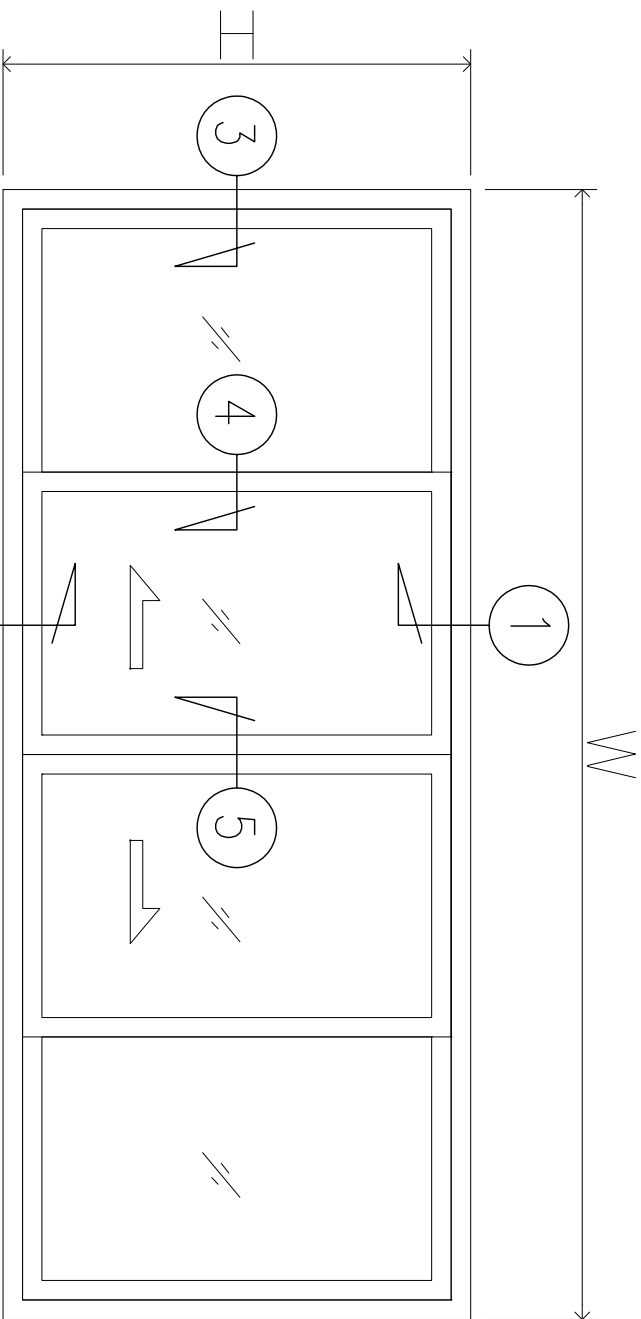


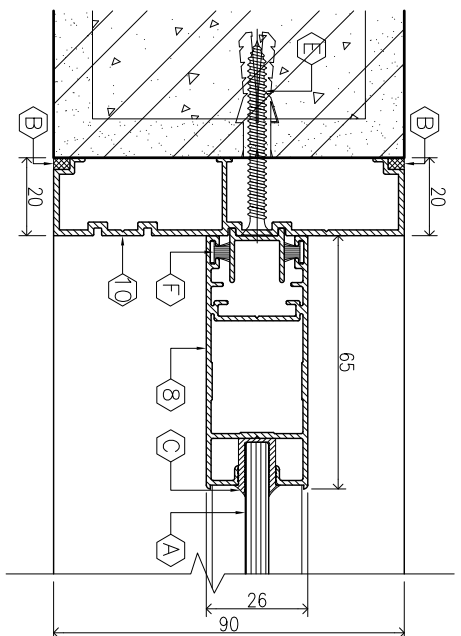
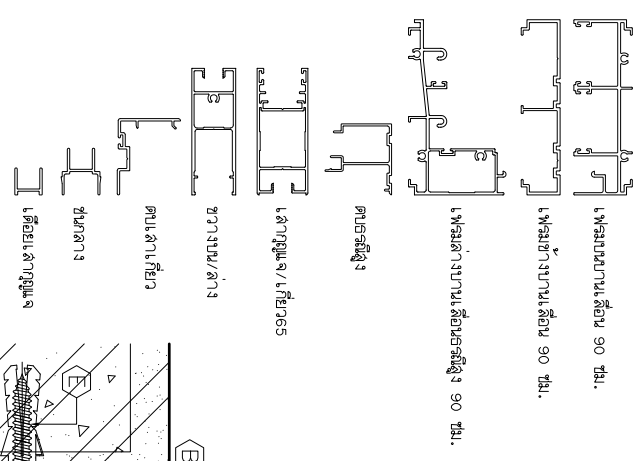
3-109. 201. 6. 165

Symbol	Aluminum Extruded Section Alloy 6063-T5
1	HEAD SECTION
2	TRANSOM SECTION
3	TOPRAIL SECTION
4	BOTTOMRAIL SECTION
5	SILL SECTION
6	LOCKER STILE SECTION
7	INNER LOCKER STILE SECTION
8	STILE SECTION
9	MULLION SECTION
10	JAMB SECTION
11	SASH SECTION
12	BEAD SECTION

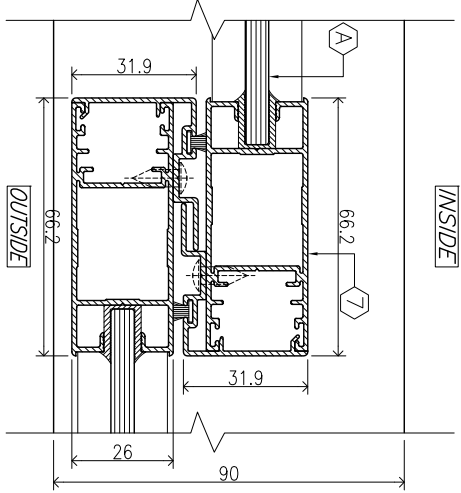
Symbol	ACCESSORIES DOOR & WINDOW
A	GLASS PANELS
B	SILICONE SEALANT
C	GLAZING GASKET
D	BUBBLE GASKET
E	SCREW & NYLON PLUG
F	WOOL PILE
G	ROLLER SLIDING
H	HANDLE LOCK
I	CAM LOCK
J	SETTING BLOCK



TYPICAL SLIDING WINDOW ELEVATION

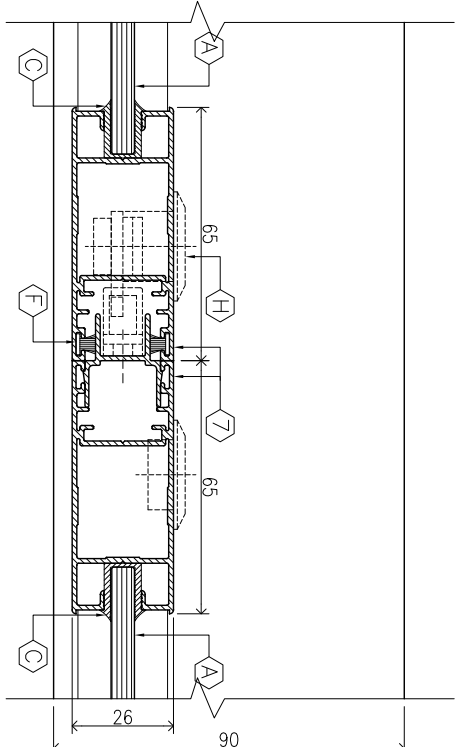


3

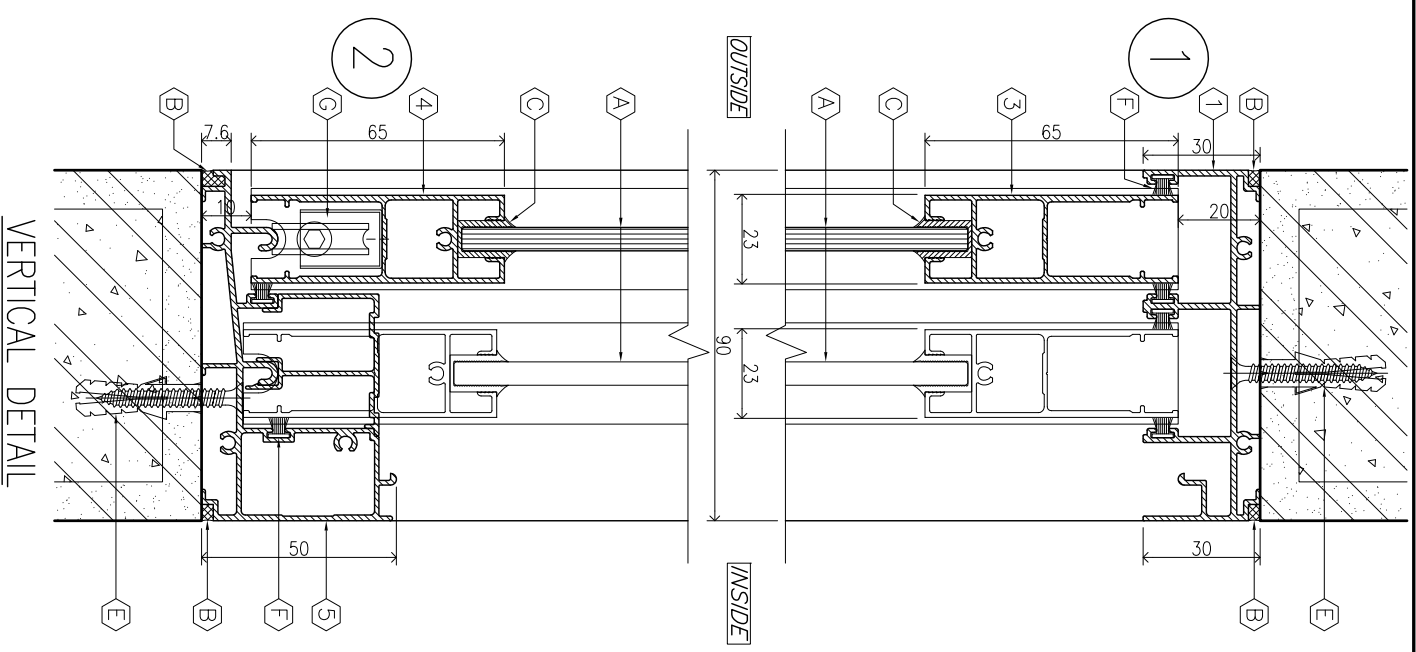


4

HORIZONTAL DETAIL



5



VERTICAL DETAIL

PROJECT : STANDARD PROJECT
 LOCATION :

OWNER :

ALUMINIUM CONTRACTOR :
ORM
 ALUMINIUM ORN (THAILAND) CO.,LTD.
 27/28 Moo 11, Bangma Express
 Bangma Express Road, Bangma
 Sub-township, Bangma District,
 Tel. : 096-755-883, 093-755-884

DRAWING TITLE
 DOOR & WINDOW
 TYPICAL STANDARD DETAIL

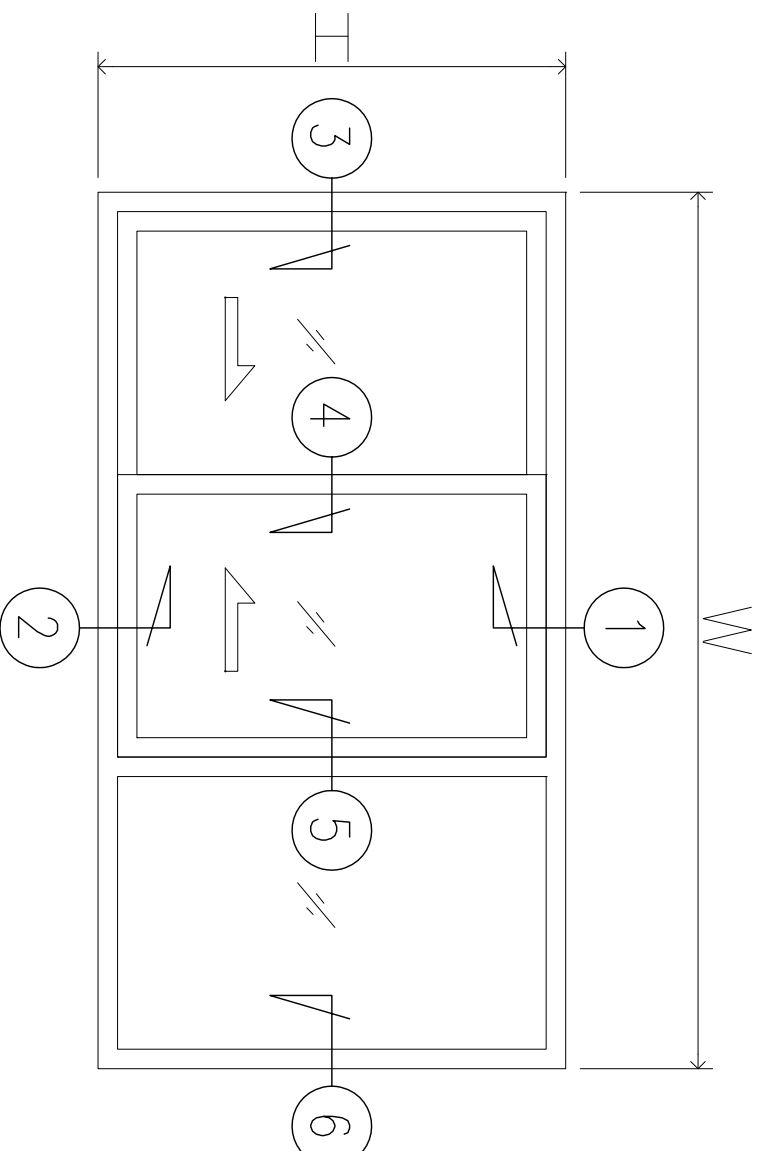
NO.	DATE	REVISION DESCRIPTION	APPROVED

DATE :
 DESIGN & DWG : MANIT SRISANGSUNG
 CHKD. BY :
 SCALE : 1 : 2 (A3)
 DRAWING NO. SW-01

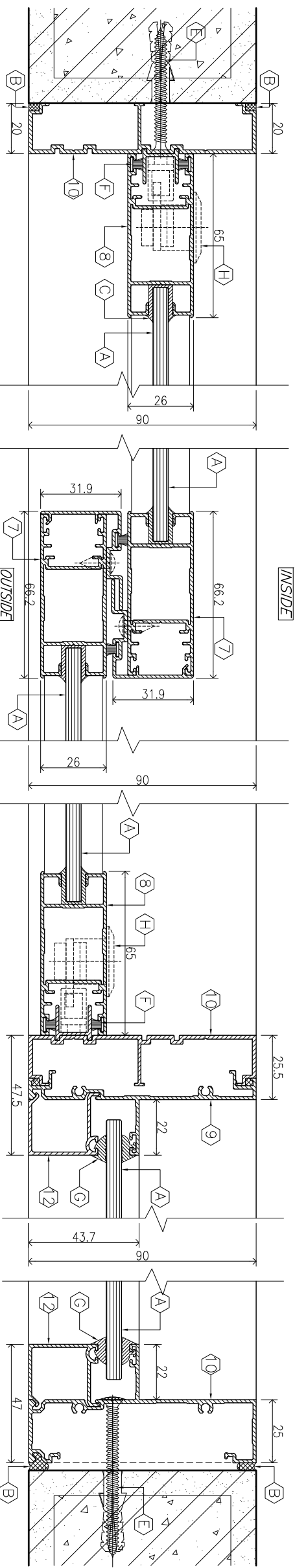
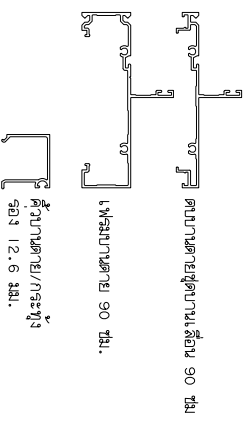
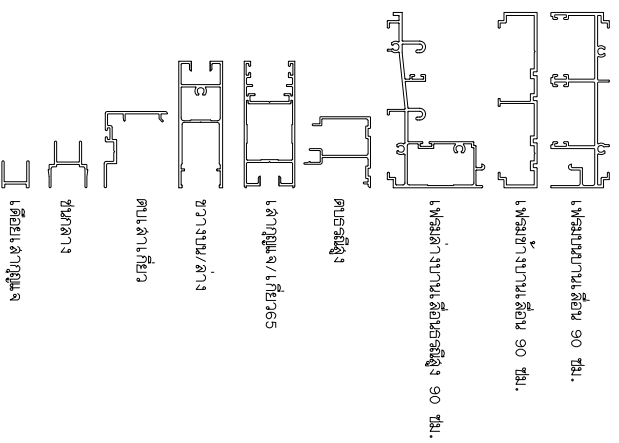
APPROVED BY

ALUMINIUM EXTRUDED SECTION ALLOY 6063-T5	
1	HEAD SECTION
2	TRANSOM SECTION
3	TOPRAIL SECTION
4	BOTTOMRAIL SECTION
5	SILL SECTION
6	LOCKER STILE SECTION
7	INNER LOCKER STILE SECTION
8	STILE SECTION
9	MULLION SECTION
10	JAMB SECTION
11	SASH SECTION
12	BEAD SECTION

ACCESSORIES DOOR & WINDOW	
A	GLASS PANELS
B	SILICONE SEALANT
C	GLAZING GASKET
D	BUBBLE GASKET
E	SCREW & NYLON PLUG
F	WOOL PILE
G	ROLLER SLIDING
H	HANDLE LOCK
I	CAM LOCK
J	SETTING BLOCK



TYPICAL SLIDING WINDOW & FIXED ELEVATION



VERTICAL DETAIL

3

4

HORIZONTAL DETAIL

5

6

PROJECT : STANDARD PROJECT

OWNER :

ALUMINIUM CONTRACTOR : **ORM** ALUMINIUM (THAILAND) CO., LTD. 27/28 Moo 11, Bangna-Boonrut Highway, Bang Na District, Bangkok 10700, Thailand Tel. : 096-755-8863, 097-755-8864

LOCATION :

DRAWING TITLE : DOOR & WINDOW TYPICAL STANDARD DETAIL

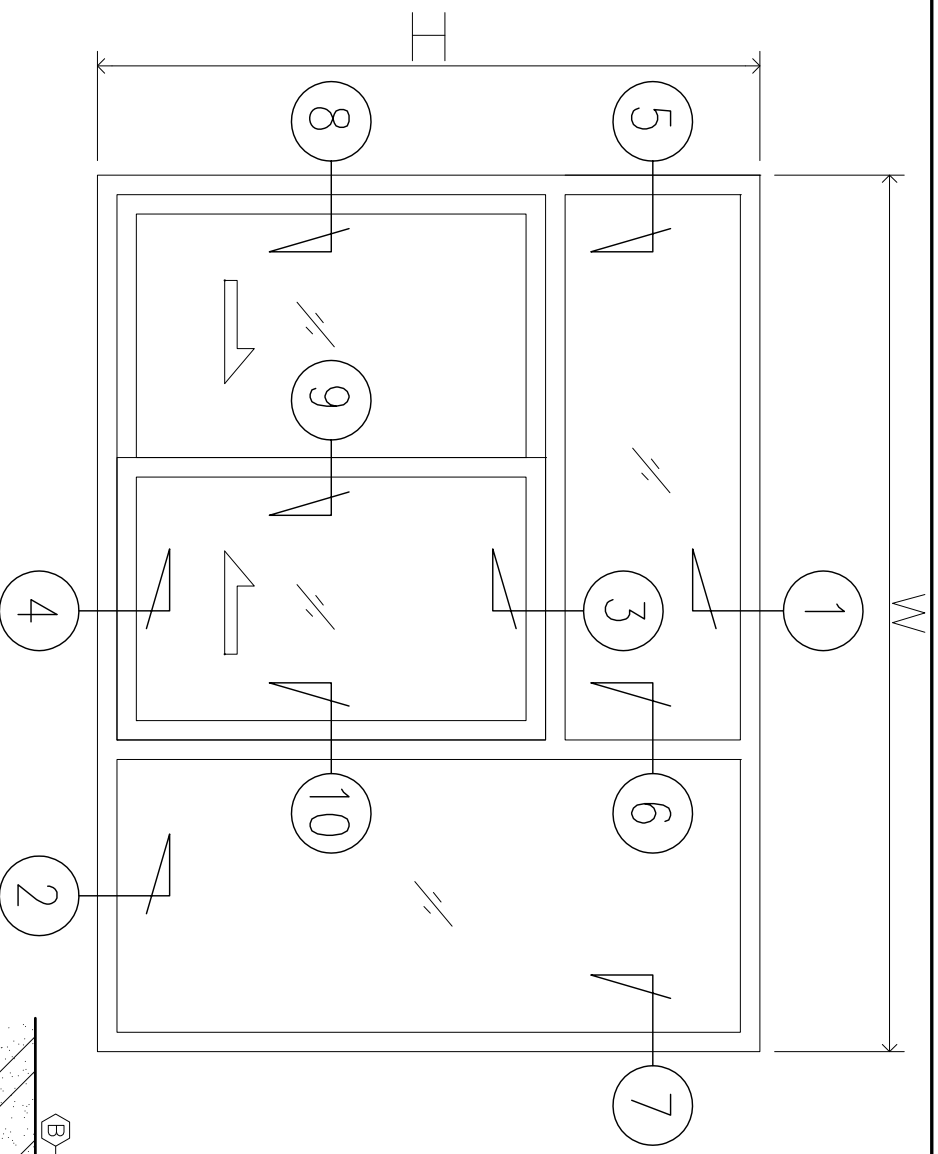
NO.	DATE	REVISION DESCRIPTION	APPROVED

DATE : DESIGN & DWN : MANIT SRISANGSUNG ML.4193

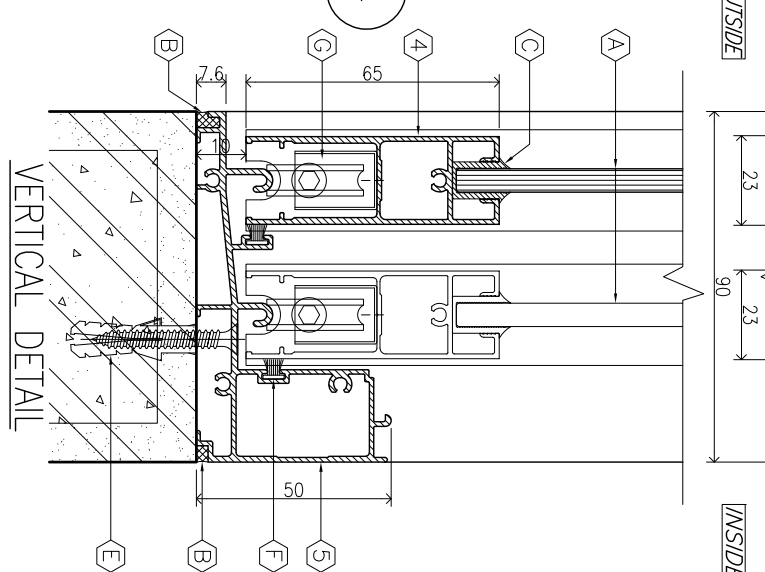
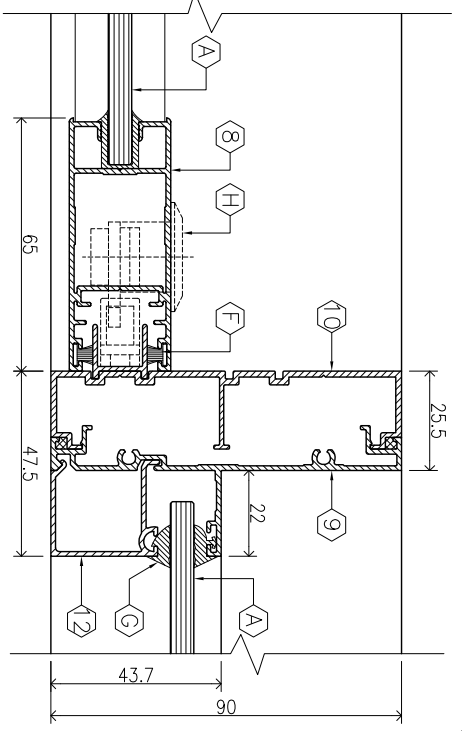
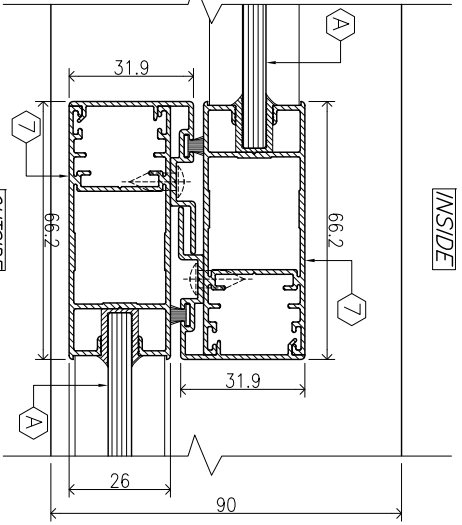
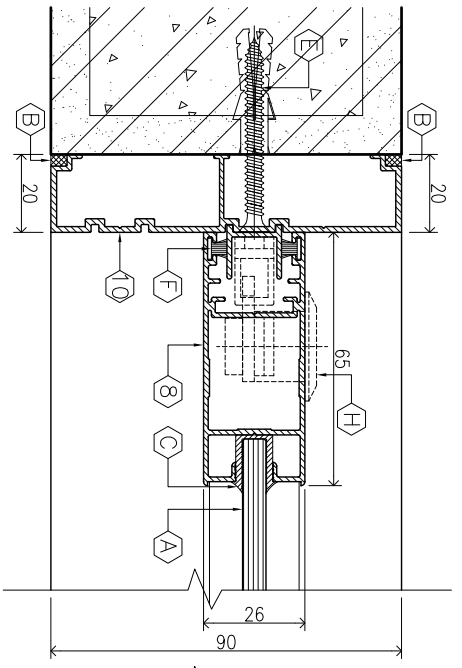
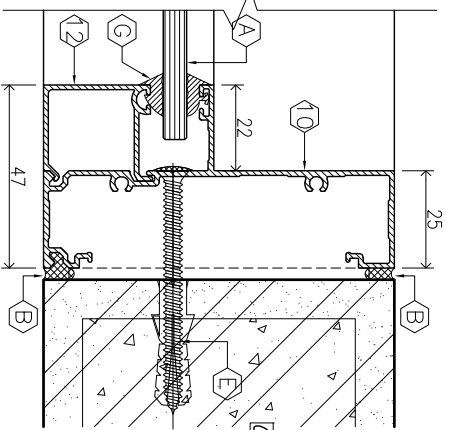
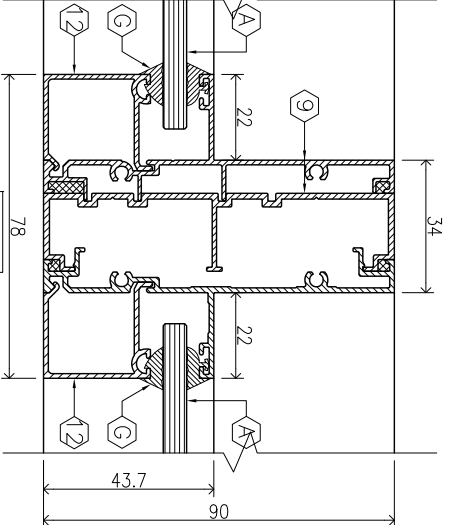
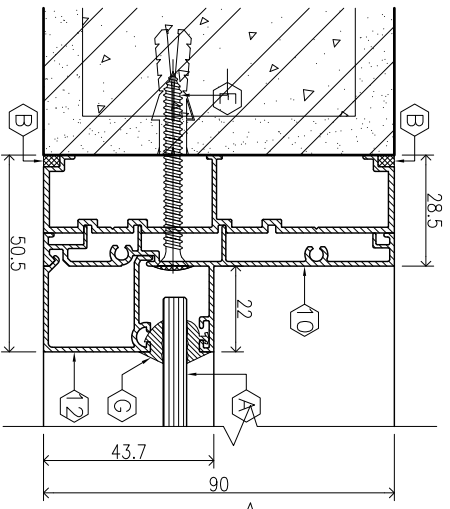
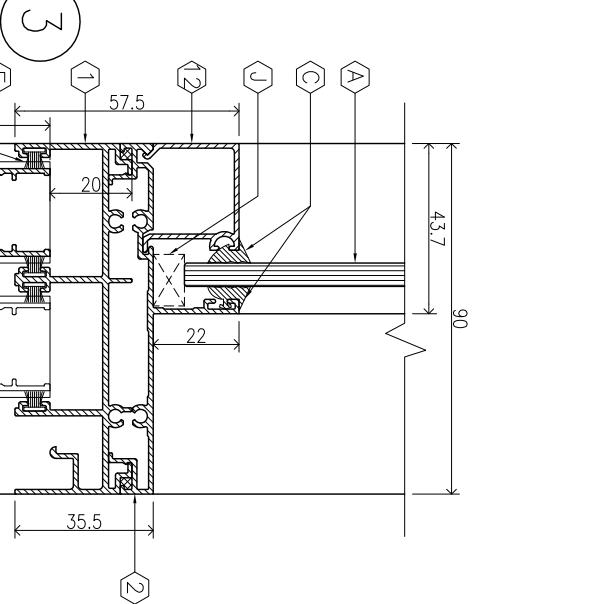
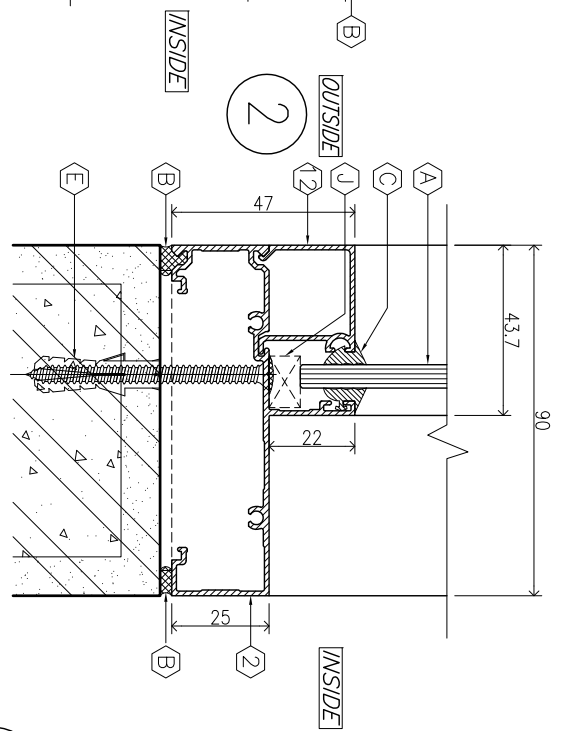
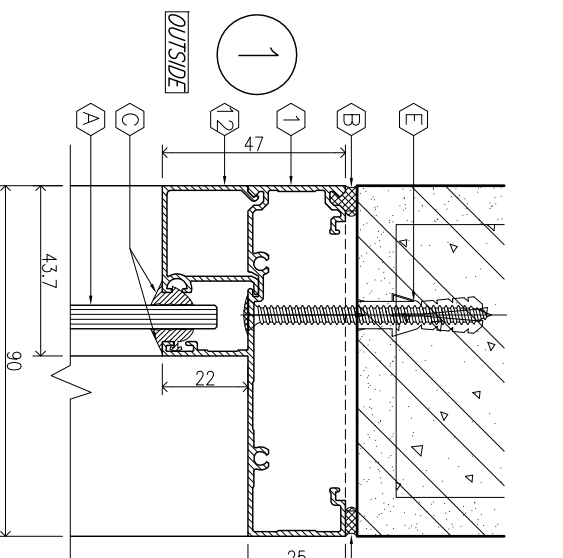
CHKD. BY :

SCALE : 1 : 2 (A3)

APPROVED BY : DRAWING NO. SW-02



TYPICAL SLIDING WINDOW & FIXED ELEVATION



ALUMINIUM EXTRUDED SECTION ALLOY 6063-T5	
1	HEAD SECTION
2	TRANSOM SECTION
3	TOPRAIL SECTION
4	BOTTOMRAIL SECTION
5	SILL SECTION
6	LOCKER STILE SECTION
7	INTER LOCKER STILE SECTION
8	STILE SECTION
9	MULLION SECTION
10	JAMB SECTION
11	SASH SECTION
12	BEAD SECTION

ACCESSORIES DOOR & WINDOW	
A	GLASS PANELS
B	SILICONE SEALANT
C	GLAZING GASKET
D	BUBBLE GASKET
E	SCREW & NYLON PLUG
F	WOOL PILE
G	ROLLER SLIDING
H	HANDLE LOCK
I	CAM LOCK
J	SETTING BLOCK

HORIZONTAL DETAIL

VERTICAL DETAIL

VERTICAL DETAIL

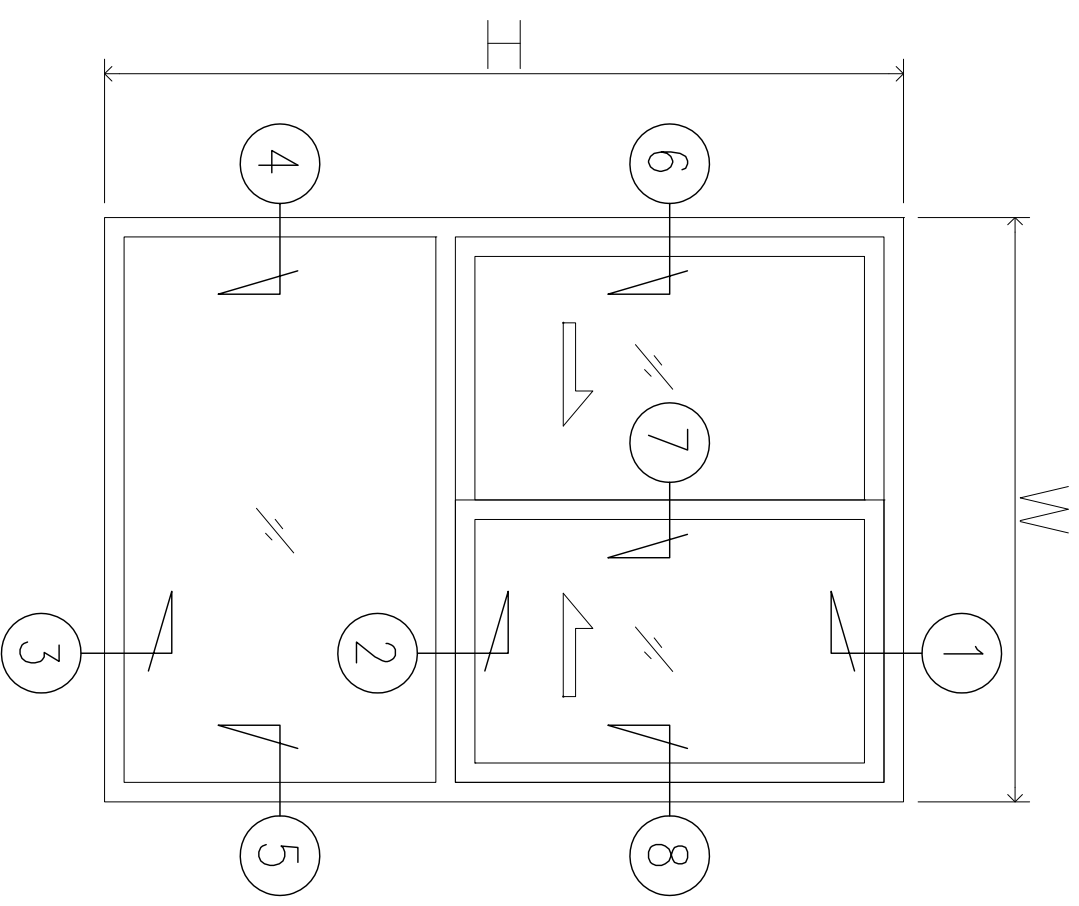
PROJECT : **STANDARD PROJECT** OWNER : ALUMINIUM CONTRACTOR : **ORM**

LOCATION : LOCATION : DRAWING TITLE : **DOOR & WINDOW TYPICAL STANDARD DETAIL**

DATE : DESIGN & DWN : **MANIT SRISANGSUNG ML.4193** APPROVED BY : **SW-05**

NO. DATE DESCRIPTION APPROVED

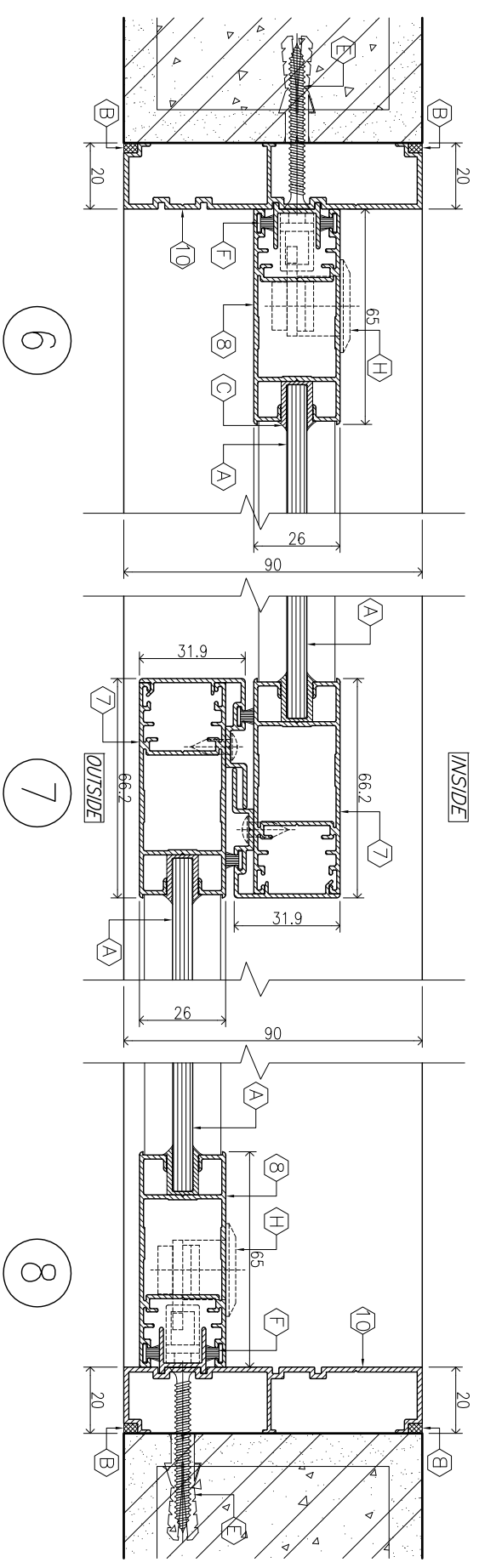
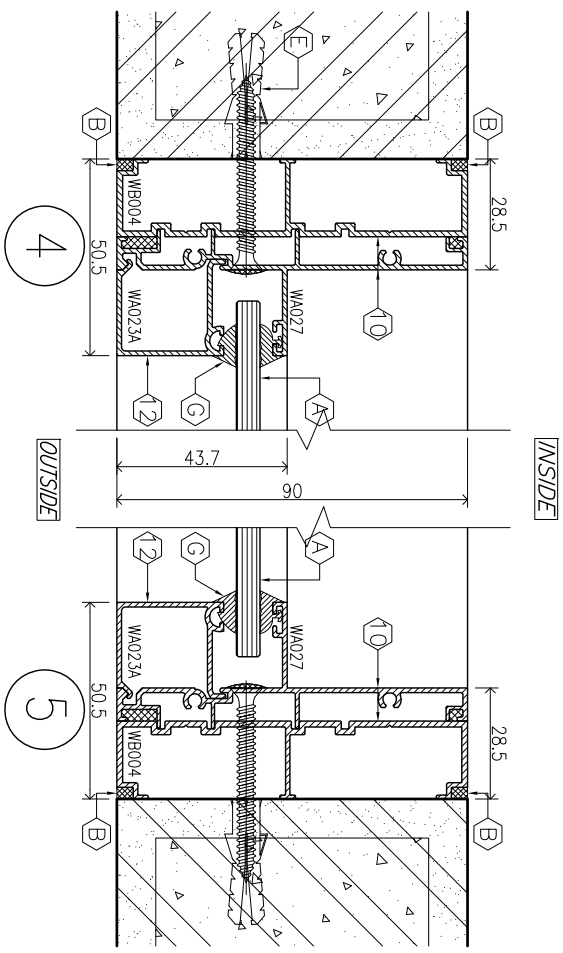
SCALE : **1 : 2 (A3)**



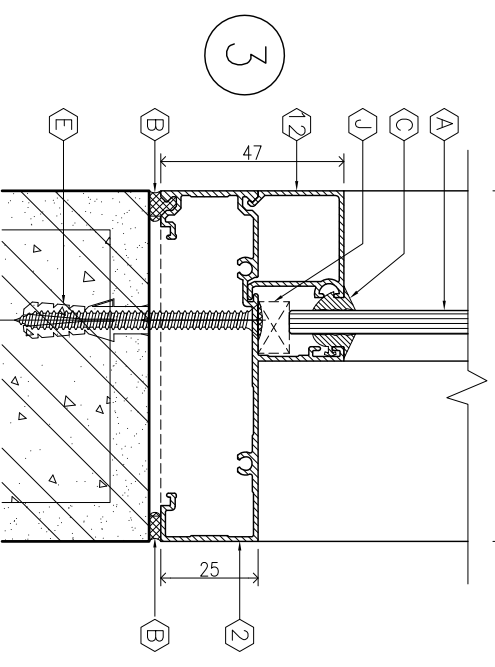
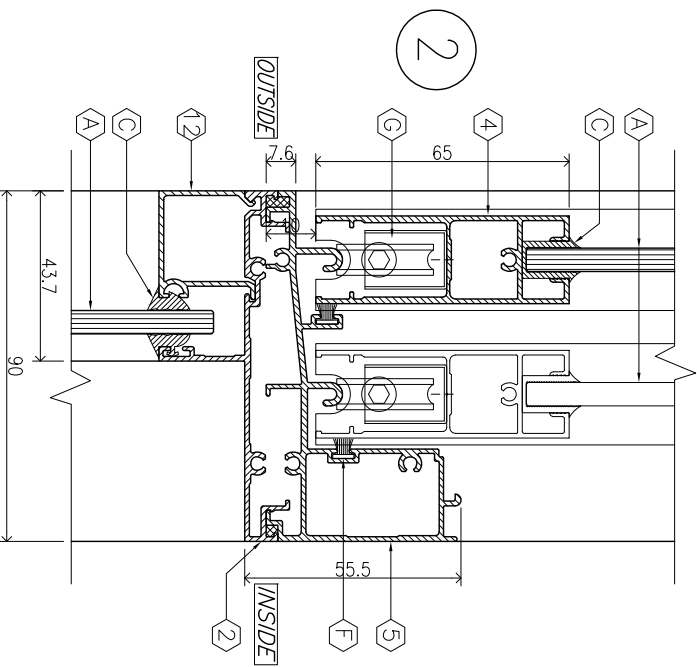
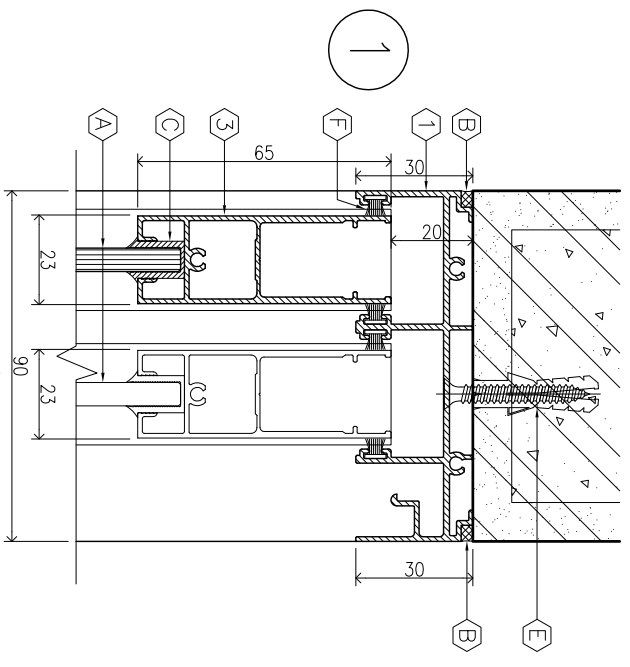
TYPICAL SLIDING WINDOW & FIXED ELEVATION

SYMBOL	DESCRIPTION
①	ALUMINIUM EXTRUDED SECTION ALLOY 6063-T5
②	HEAD SECTION
③	TRANSOM SECTION
④	TOPRAIL SECTION
⑤	BOTTOMRAIL SECTION
⑥	SILL SECTION
⑦	LOCKER STILE SECTION
⑧	INTER LOCKER STILE SECTION
⑨	STILE SECTION
⑩	MULLION SECTION
⑪	JAMB SECTION
⑫	SASH SECTION
⑬	BEAD SECTION

SYMBOL	DESCRIPTION
A	GLASS PANELS
B	SILICONE SEALANT
C	GLAZING GASKET
D	BUBBLE GASKET
E	SCREW & NYLON PLUG
F	WOOL PILE
G	ROLLER SLIDING
H	HANDLE LOCK
I	CAM LOCK
J	SETTING BLOCK

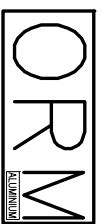


HORIZONTAL DETAIL

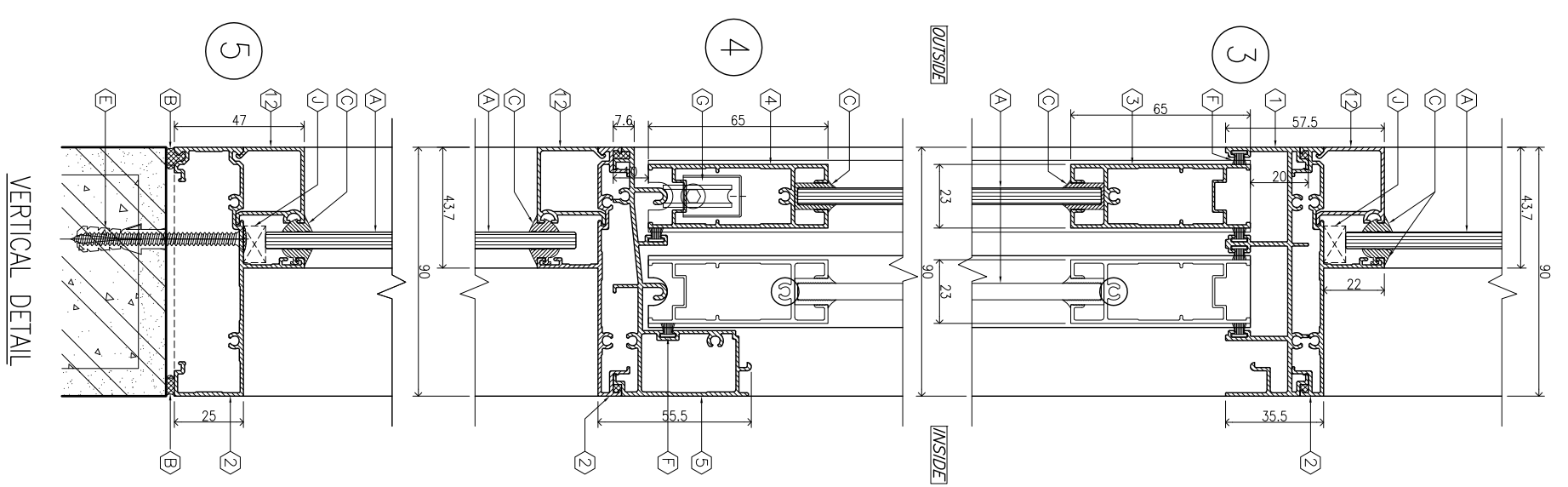
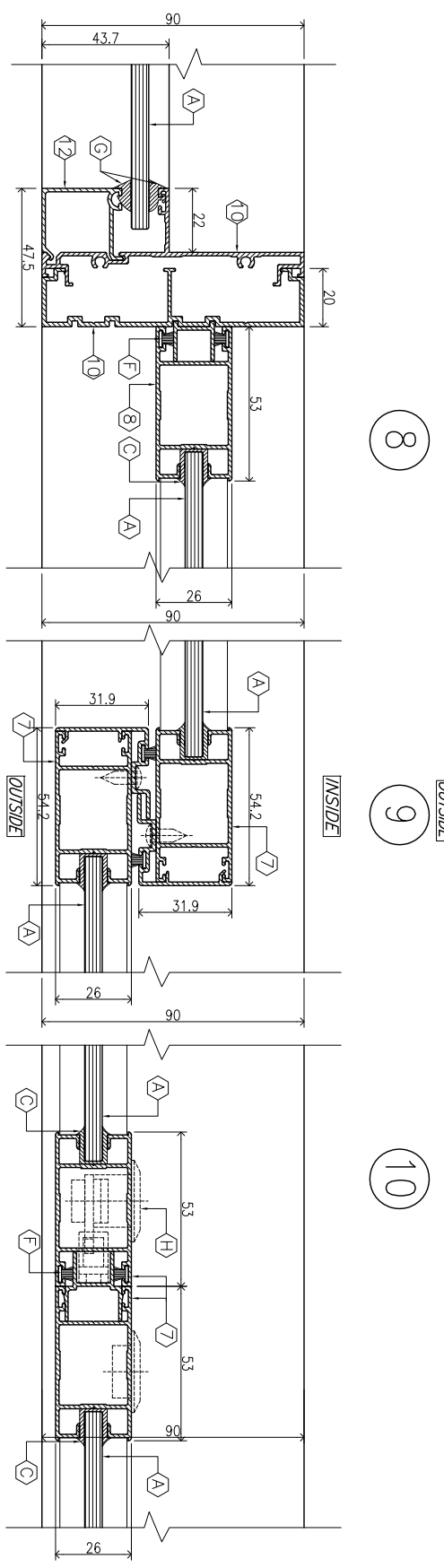
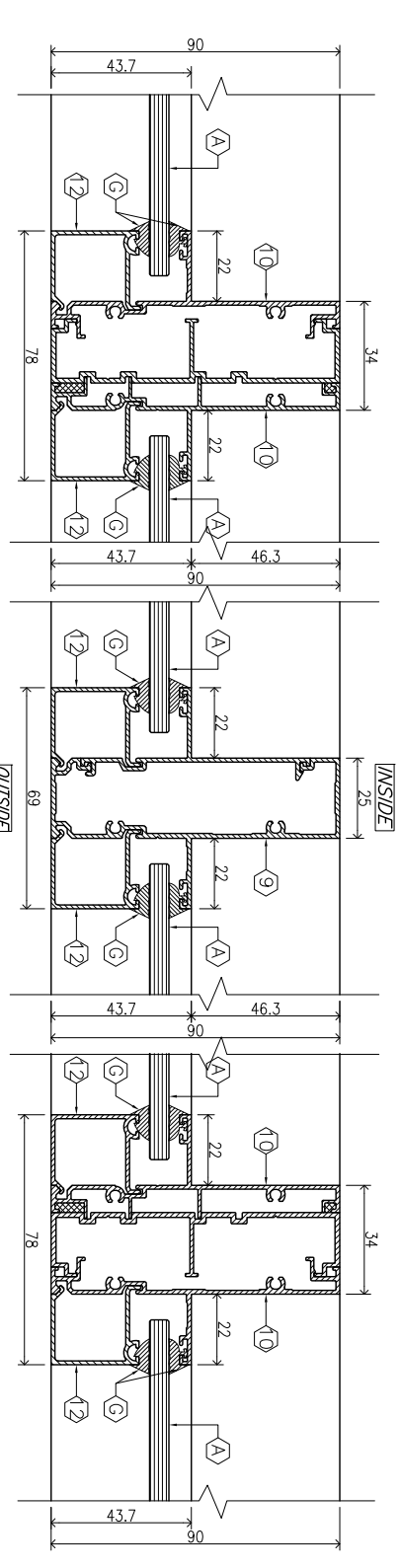
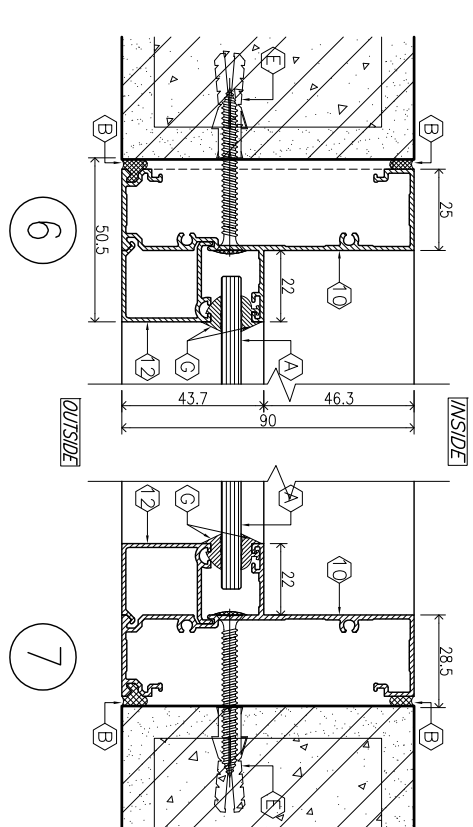
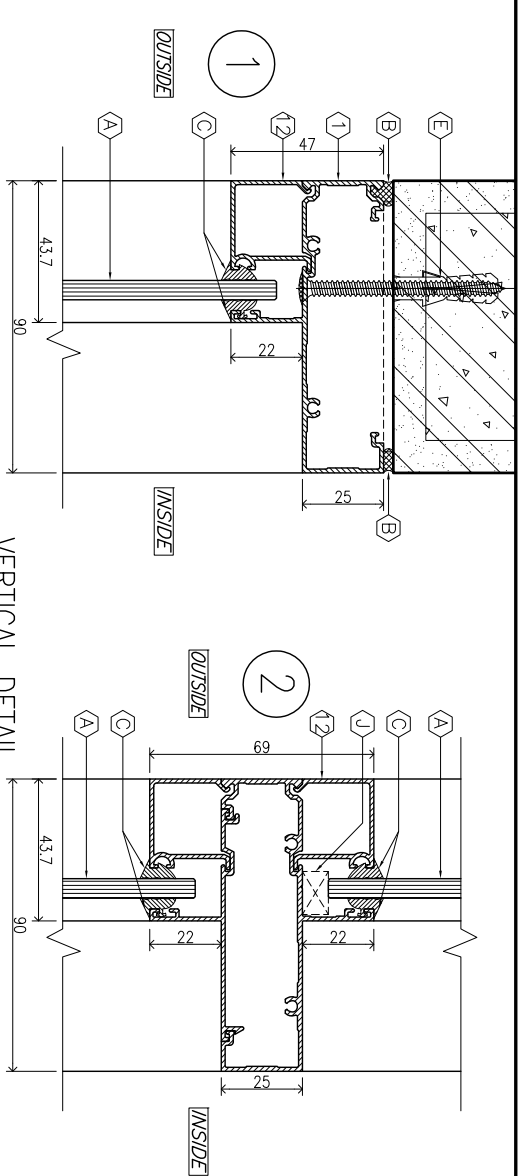
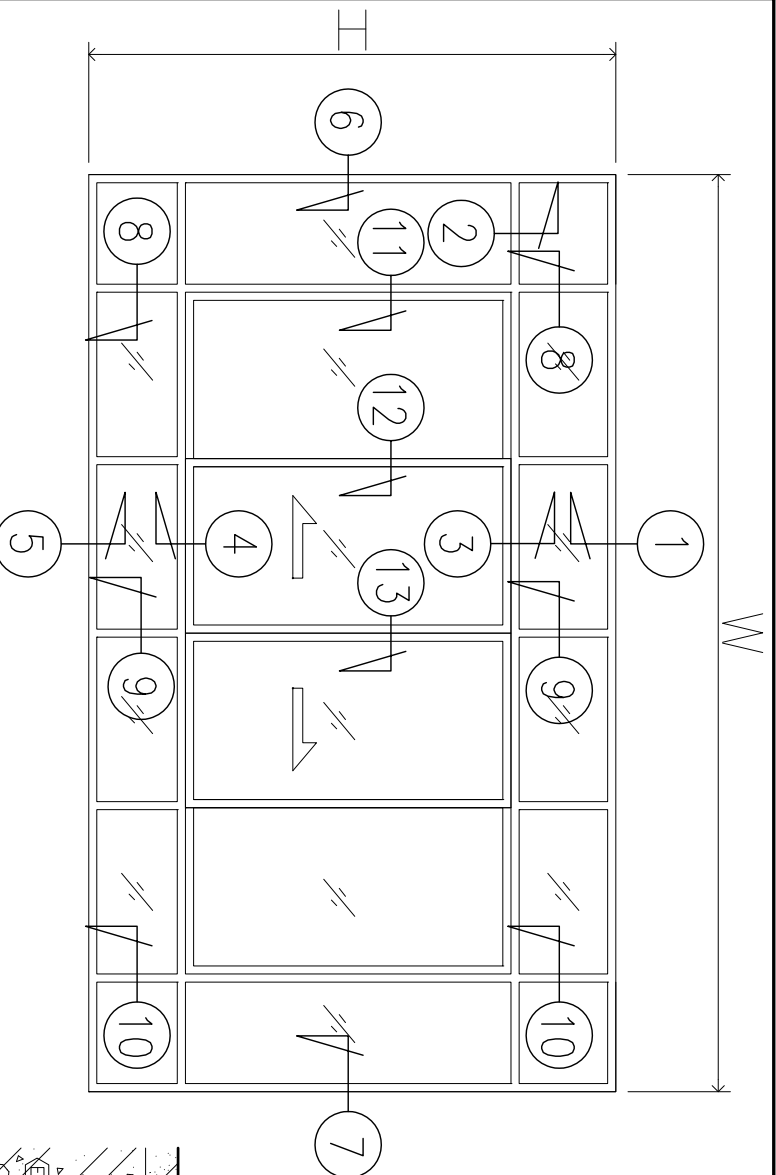


VERTICAL DETAIL

PROJECT : STANDARD PROJECT	OWNER :	ALUMINIUM CONTRACTOR :
LOCATION :	LOCATION :	

	ALUMINIUM ORN (THAILAND) CO.,LTD. 27/28 Moo 111, Rama 9 Road, Bangkok 10310, Thailand Tel. : 06-755-8563, 097-755-8584
--	---

DRAWING TITLE DOOR & WINDOW TYPICAL STANDARD DETAIL	APPROVED BY
NO.	DATE
DESCRIPTION	APPROVED
DATE :	DESIGN & DWN : MANIT SRISANGSUNG ML.4193
CHKD. BY :	SCALE : 1 : 2 (A3)
DRAWING NO. SW-06	



SYMBOL		ALUMINIUM EXTRUDED SECTION ALLOY 6063-T5
①	HEAD SECTION	
②	TRANSOM SECTION	
③	TOPRAIL SECTION	
④	BOTTOMRAIL SECTION	
⑤	SILL SECTION	
⑥	LOCKER STILE SECTION	
⑦	INNER LOCKER STILE SECTION	
⑧	STILE SECTION	
⑨	MULLION SECTION	
⑩	JAMB SECTION	
⑪	SASH SECTION	
⑫	BEAD SECTION	
SYMBOL		ACCESSORIES DOOR & WINDOW
A	GLASS PANELS	
B	SILICONE SEALANT	
C	GLAZING GASKET	
D	BUBBLE GASKET	
E	SCREW & NYLON PLUG	
F	WOOL PILE	
G	ROLLER SLIDING	
H	HANDLE LOCK	
I	CAM LOCK	
J	SETTING BLOCK	

PROJECT : STANDARD PROJECT

OWNER :

ALUMINIUM CONTRACTOR :

ALUMINIUM CONTRACTOR : **ORM** ALUMINIUM CO. (THAILAND) CO., LTD. 27/28 Moo 11, Bangna-Boonrat Road, Bangna District, Bangkok 10700, Thailand Tel. : 096-765-8363, 097-765-8364

DRAWING TITLE : DOOR & WINDOW TYPICAL STANDARD DETAIL

NO.	DATE	REVISION DESCRIPTION	APPROVED

DATE : DESIGN & DWN : MANIT SRSANGSUNG TEL. 4193

CHKD. BY :

SCALE : 1 : 2 (A3)

APPROVED BY : DRAWING NO. SW-07