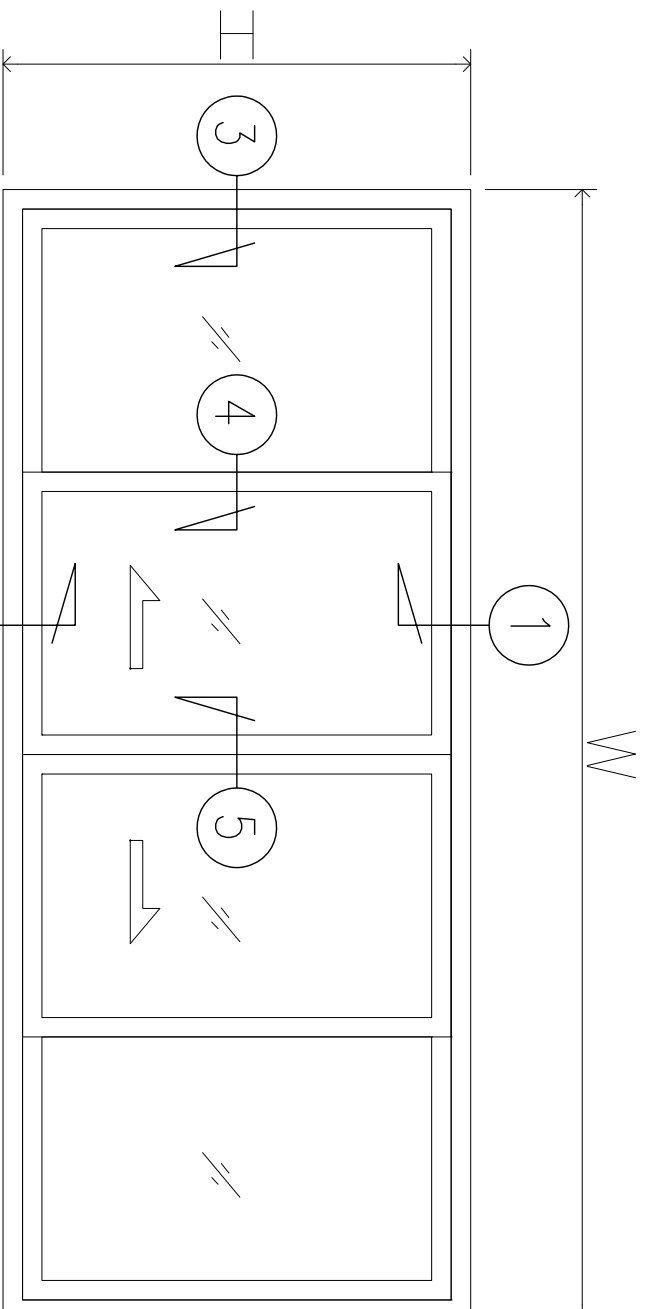
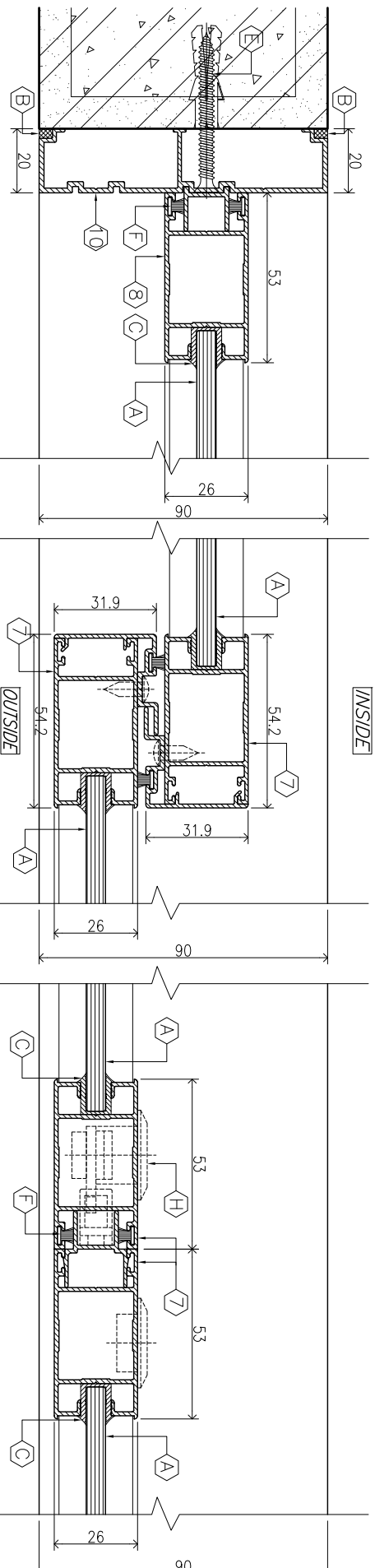


4-109. பூ. 6. 153

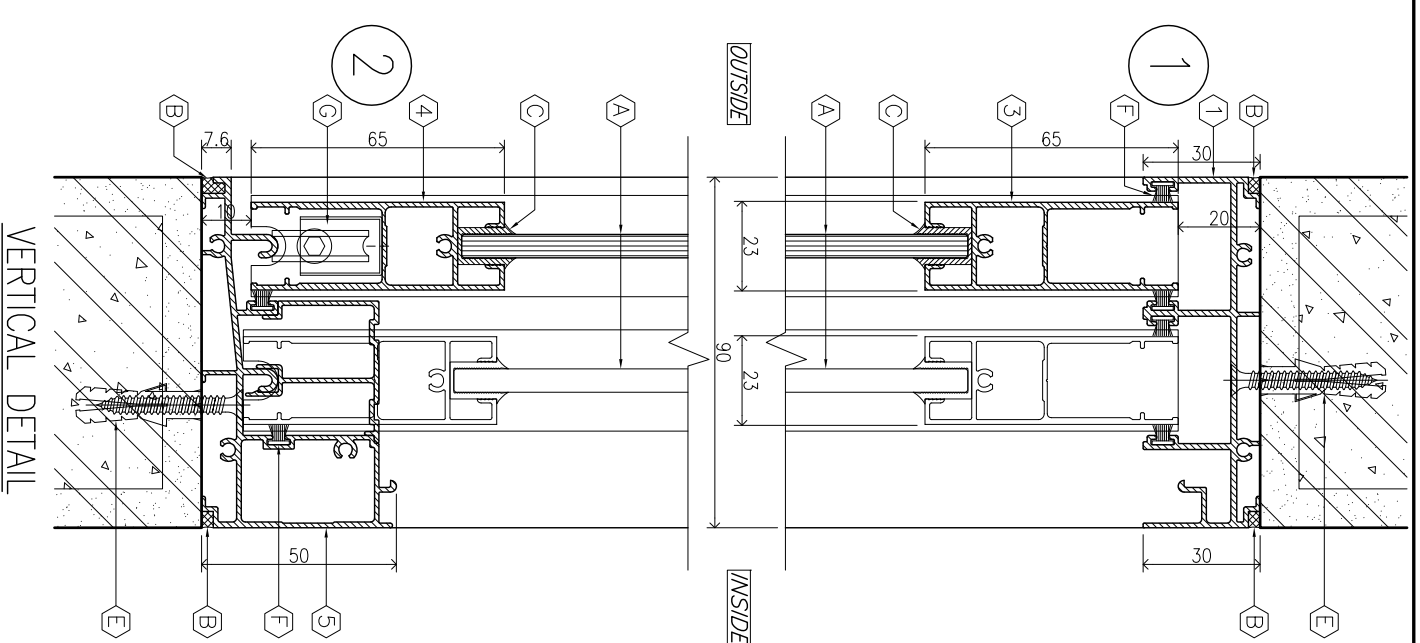
SYMBOL	DESCRIPTION
(1)	ALUMINIUM EXTRUDED SECTION ALLOY 6063-T5
(2)	HEAD SECTION
(3)	TRANSOM SECTION
(4)	TOPRAIL SECTION
(5)	BOTTOMRAIL SECTION
(6)	SILL SECTION
(7)	LOCKER STILE SECTION
(8)	INNER LOCKER STILE SECTION
(9)	MULLION SECTION
(10)	JAMB SECTION
(11)	SASH SECTION
(12)	BEAD SECTION
(A)	ACCESSORIES DOOR & WINDOW
(B)	GLASS PANELS
(C)	SILICONE SEALANT
(D)	GLAZING GASKET
(E)	BUBBLE GASKET
(F)	SCREW & NYLON PLUG
(G)	WOOL PILE
(H)	ROLLER SLIDING
(I)	HANDLE LOCK
(J)	CAM LOCK
(K)	SETTING BLOCK



TYPICAL SLIDING WINDOW ELEVATION



HORIZONTAL DETAIL

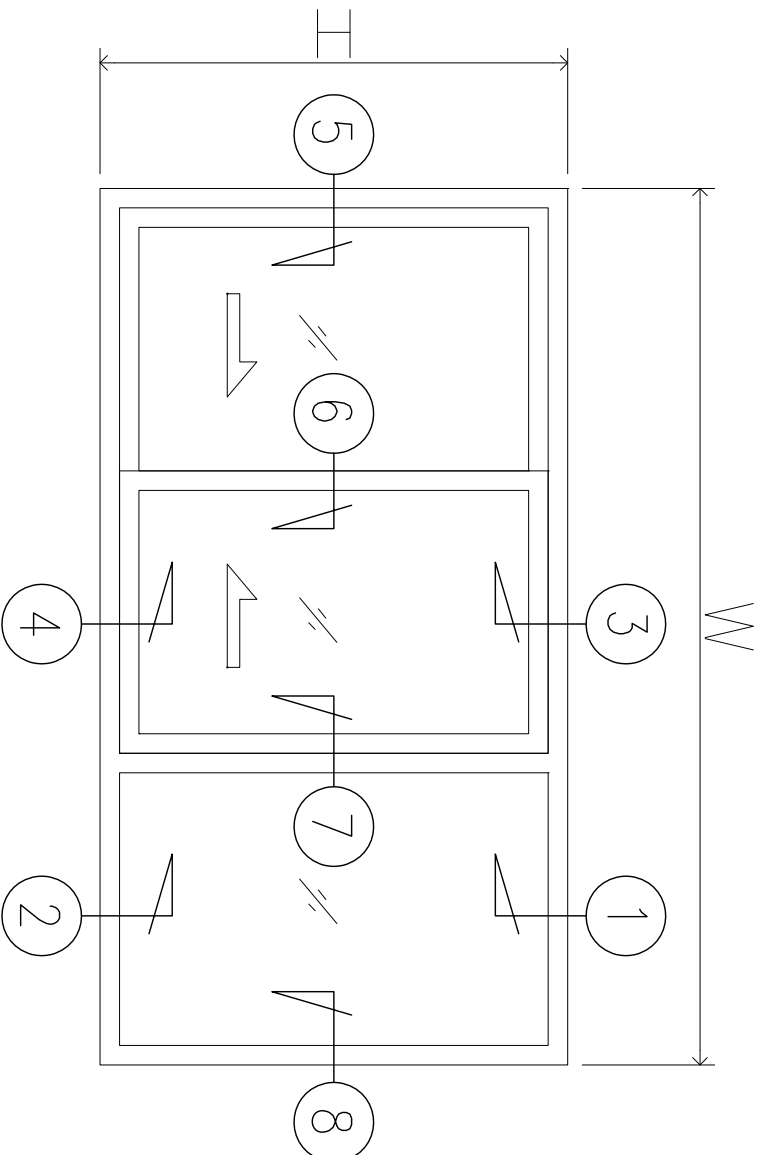


VERTICAL DETAIL

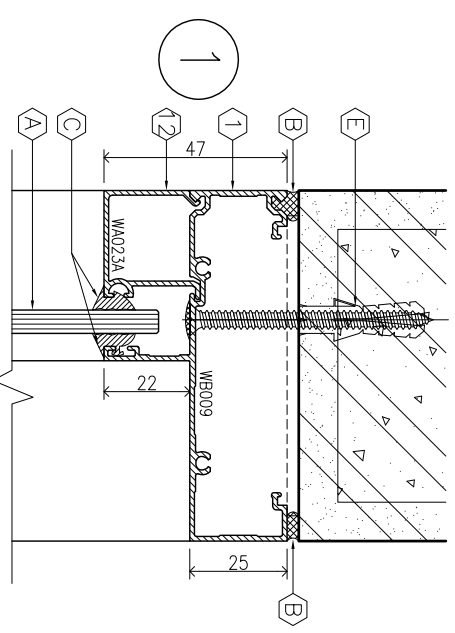
PROJECT : STANDARD PROJECT	OWNER :	ALUMINIUM CONTRACTOR : ORM ALUMINIUM ORN (THAILAND) CO.,LTD. 27/28 Moo 11, Bangna-Boengye Bangna Suburb, Bangna District, Bangkok 10700, Thailand Tel. : 096-756-8863, 093-765-8884	DRAWING TITLE DOOR & WINDOW TYPICAL STANDARD DETAIL	NO.	DATE	REVISION DESCRIPTION	APPROVED	DATE :	DESIGN & DWG : MANIT SRISANGSUNG ML.4193	APPROVED BY
LOCATION :	LOCATION :								CHKD. BY :	DRAWING NO. SW-01A
									SCALE : 1 : 2 (A3)	

SYMBOL	ALUMINIUM EXTRUDED SECTION ALLOY 6063-T5
①	HEAD SECTION
②	TRANSOM SECTION
③	TOPRAIL SECTION
④	BOTTOMRAIL SECTION
⑤	SILL SECTION
⑥	LOCKER STILE SECTION
⑦	INNER LOCKER STILE SECTION
⑧	STILE SECTION
⑨	MULLION SECTION
⑩	JAMB SECTION
⑪	SASH SECTION
⑫	BEAD SECTION

SYMBOL	ACCESSORIES DOOR & WINDOW
Ⓐ	GLASS PANELS
Ⓑ	SILICONE SEALANT
Ⓒ	GLAZING GASKET
Ⓓ	BUBBLE GASKET
Ⓔ	SCREW & NYLON PLUG
Ⓕ	WOOL PILE
Ⓖ	ROLLER SLIDING
Ⓗ	HANDLE LOCK
Ⓘ	CAM LOCK
Ⓝ	SETTING BLOCK

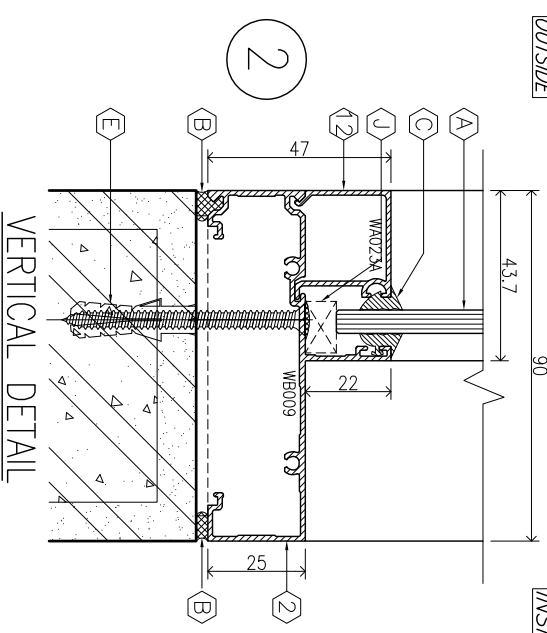


TYPICAL SLIDING WINDOW & FIXED ELEVATION

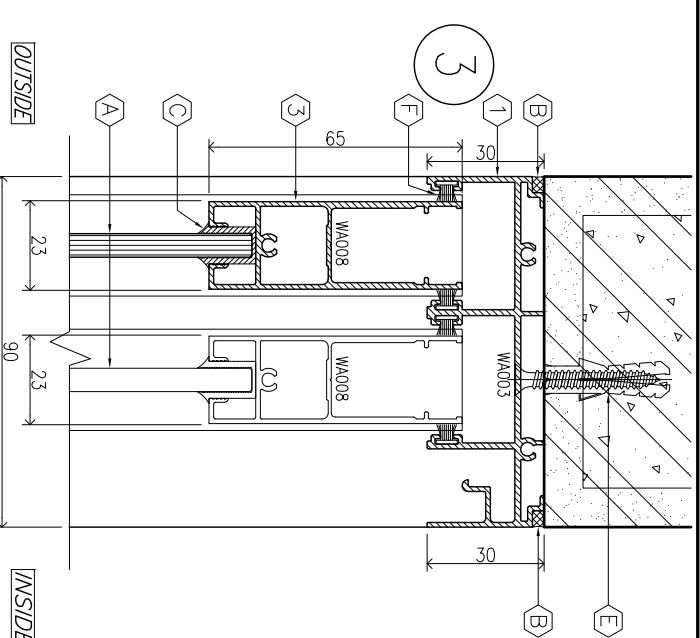


OUTSIDE

INSIDE

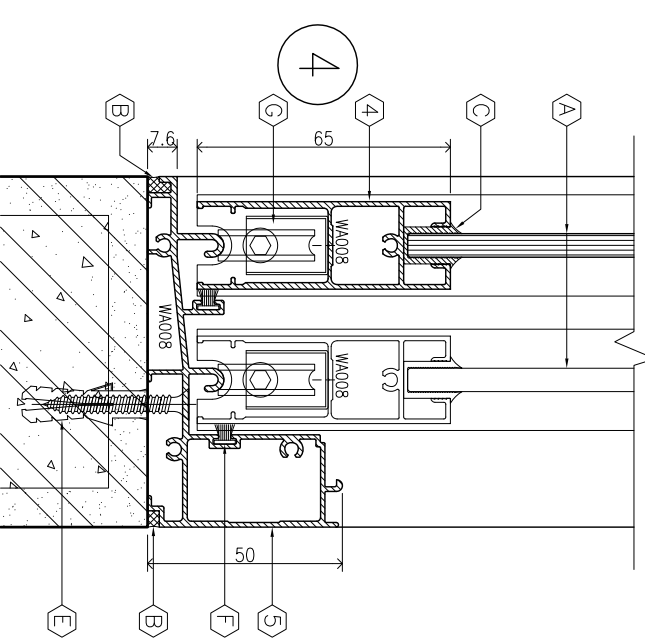


VERTICAL DETAIL

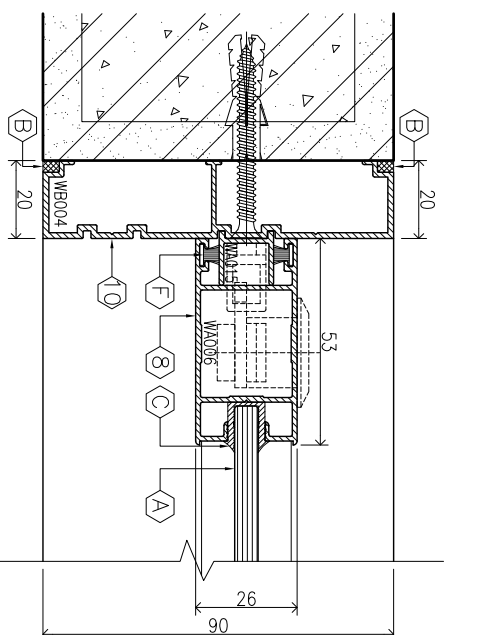


OUTSIDE

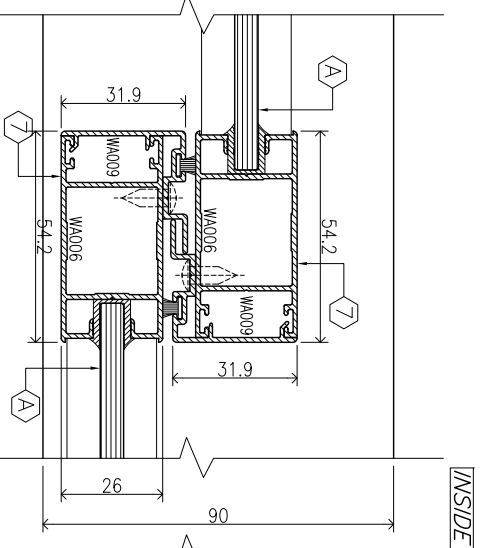
INSIDE



VERTICAL DETAIL



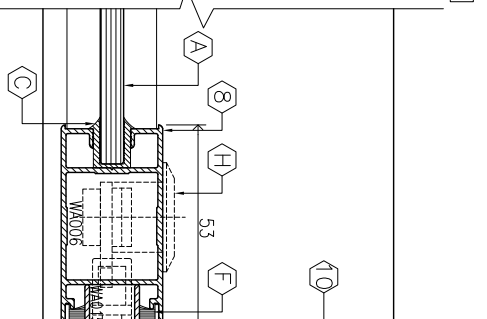
⑤



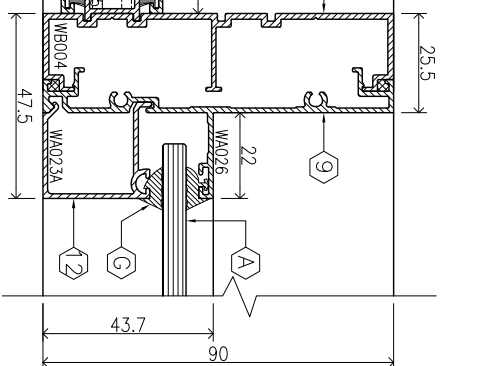
⑥

INSIDE

OUTSIDE



⑦



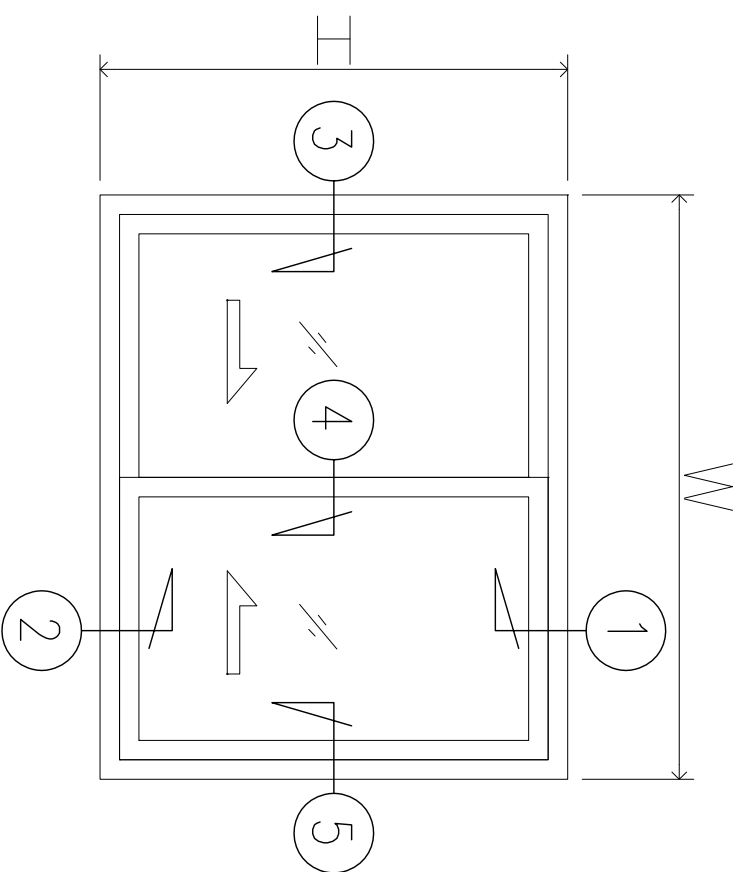
⑧

HORIZONTAL DETAIL

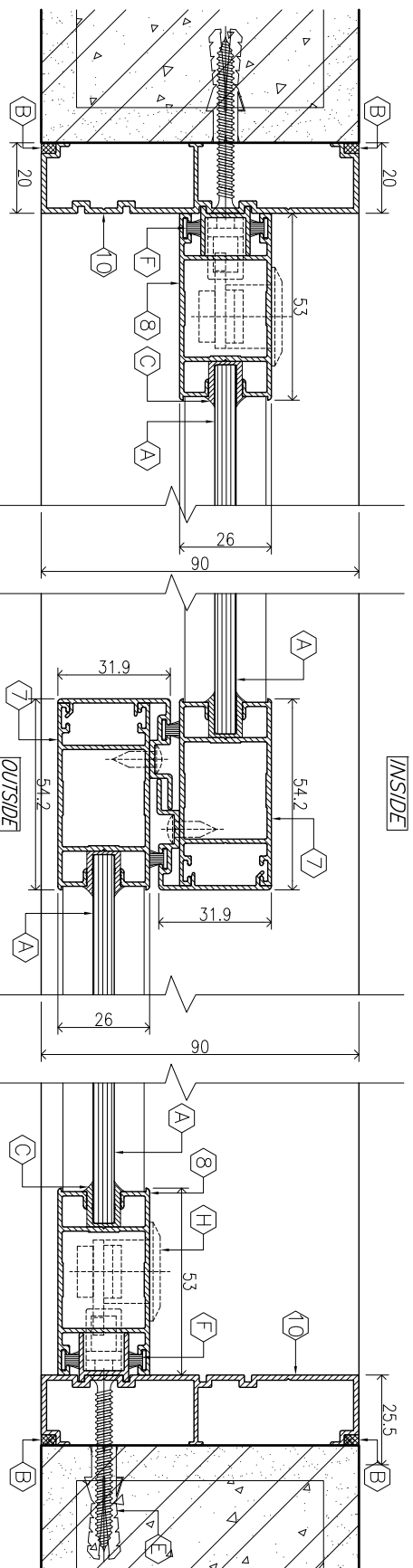
PROJECT : STANDARD PROJECT	OWNER :	ALUMINIUM CONTRACTOR : ORM ALUMINIUM ORN (THAILAND) CO.,LTD. 27/28 Moo 11, Bangna-Boonrat Road, Bangna Suburb, Bangkok 10700 Tel. : 096-765-8861, 097-765-8864	DRAWING TITLE DOOR & WINDOW TYPICAL STANDARD DETAIL	NO.	DATE	REVISION DESCRIPTION	APPROVED	DATE :	DESIGN & DWN : MANIT SRSANGSUNG ML.4193	APPROVED BY
LOCATION :	LOCATION :								CHKD. BY :	
									SCALE : 1 : 2 (A3)	DRAWING NO. SW-02A

SYMBOL	DESCRIPTION
①	ALUMINIUM EXTRUDED SECTION ALLOY 6063-T5
②	HEAD SECTION
③	TRANSOM SECTION
④	TOPRAIL SECTION
⑤	BOTTOMRAIL SECTION
⑥	SILL SECTION
⑦	LOCKER STILE SECTION
⑧	INNER LOCKER STILE SECTION
⑨	STILE SECTION
⑩	MULLION SECTION
⑪	JAMB SECTION
⑫	SASH SECTION
⑬	BEAD SECTION

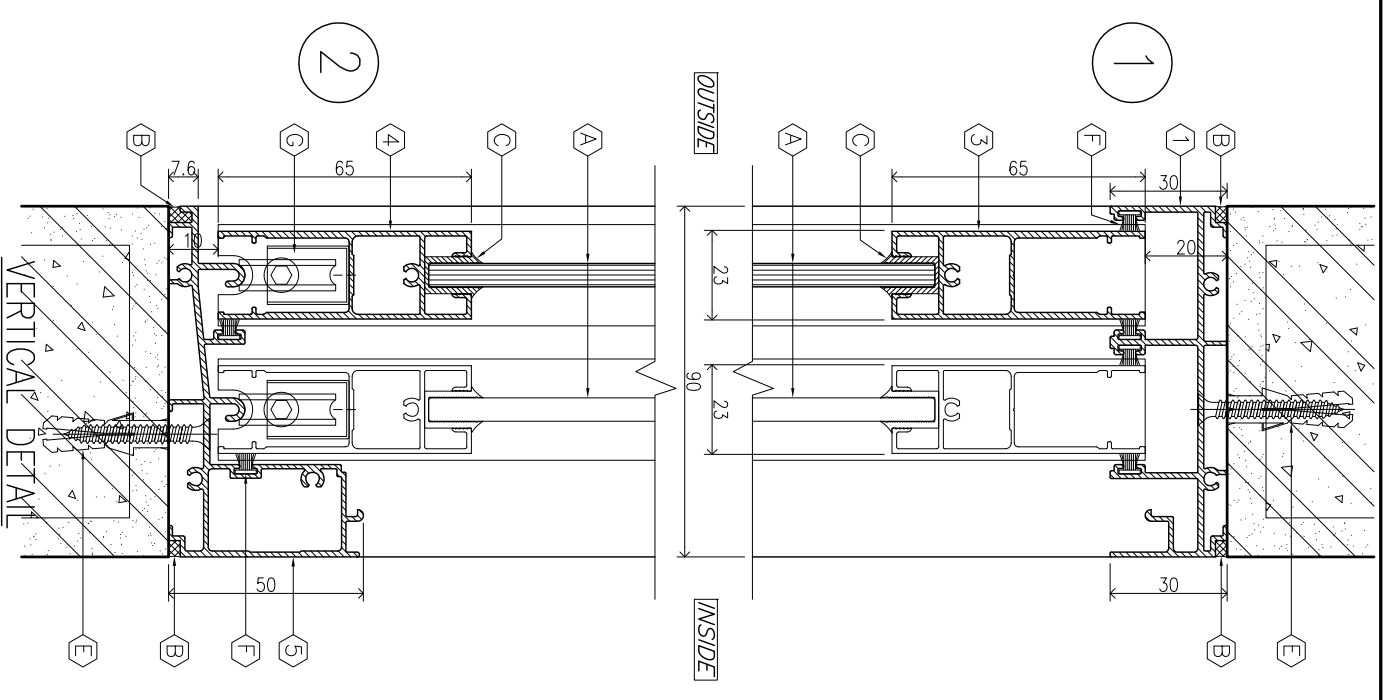
SYMBOL	DESCRIPTION
A	ACCESSORIES DOOR & WINDOW
B	GLASS PANELS
C	SILICONE SEALANT
D	GLAZING GASKET
E	BUBBLE GASKET
F	SCREW & NYLON PLUG
G	WOOL PILE
H	ROLLER SLIDING
I	HANDLE LOCK
J	CAM LOCK
K	SETTING BLOCK



TYPICAL SLIDING WINDOW ELEVATION

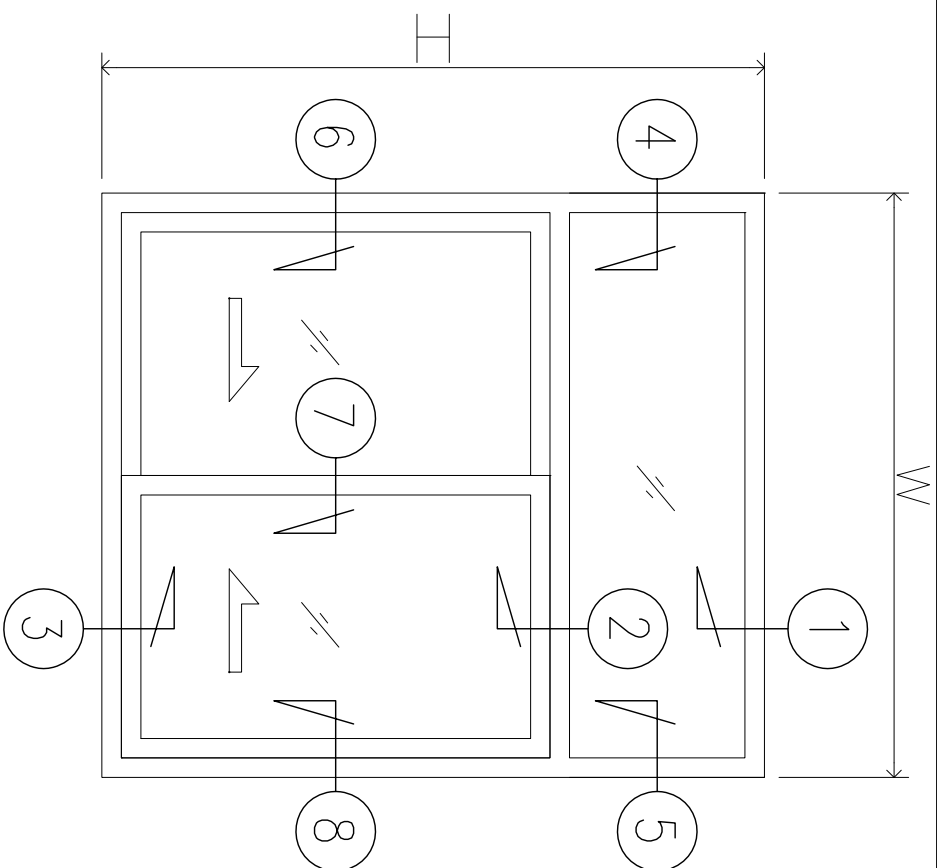


HORIZONTAL DETAIL



VERTICAL DETAIL

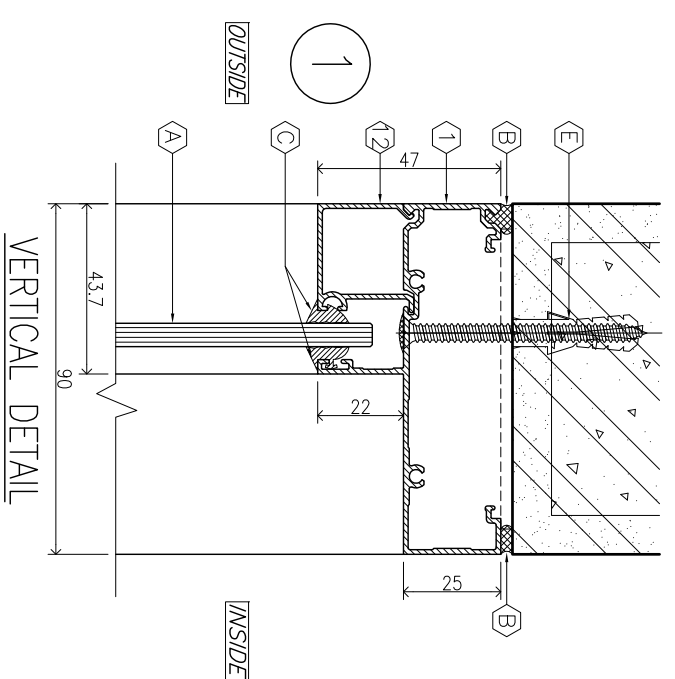
PROJECT : STANDARD PROJECT LOCATION :	OWNER : ALUMINIUM CONTRACTOR : <div style="text-align: center;"> ORM <small>ALUMINIUM ORN (THAILAND) CO., LTD.</small> <small>27/28 Moo 11, Bangna-Boonmee Road, Bangna District, Bangkok 10700, Thailand</small> <small>Tel. : 096-756-8363, 093-765-8364</small> </div>																
DRAWING TITLE DOOR & WINDOW TYPICAL STANDARD DETAIL	DATE : DESIGN & DWN : MANIT SRISANGSUNG <small>ML.4193</small> CHKD. BY : SCALE : 1 : 2 (A3)																
REVISION <table border="1" style="width: 100%; border-collapse: collapse;"> <thead> <tr> <th>NO.</th> <th>DATE</th> <th>DESCRIPTION</th> <th>APPROVED</th> </tr> </thead> <tbody> <tr><td> </td><td> </td><td> </td><td> </td></tr> <tr><td> </td><td> </td><td> </td><td> </td></tr> <tr><td> </td><td> </td><td> </td><td> </td></tr> </tbody> </table>	NO.	DATE	DESCRIPTION	APPROVED													APPROVED BY SW-03A
NO.	DATE	DESCRIPTION	APPROVED														



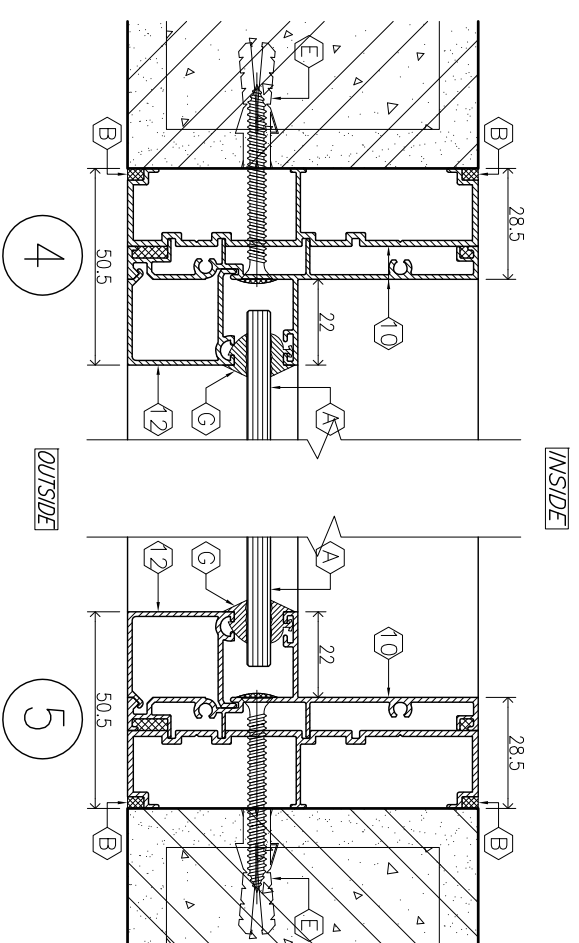
TYPICAL SLIDING WINDOW & FIXED ELEVATION

SYMBOL	DESCRIPTION
①	ALUMINIUM EXTRUDED SECTION ALLOY 6063-T5
②	HEAD SECTION
③	TRANSOM SECTION
④	TOPRAIL SECTION
⑤	BOTTOMRAIL SECTION
⑥	SILL SECTION
⑦	LOCKER STILE SECTION
⑧	INTER LOCKER STILE SECTION
⑨	STILE SECTION
⑩	MULLION SECTION
⑪	JAMB SECTION
⑫	SASH SECTION
⑬	BEAD SECTION

SYMBOL	DESCRIPTION
A	ACCESSORIES DOOR & WINDOW
B	GLASS PANELS
C	SILICONE SEALANT
D	GLAZING GASKET
E	BUBBLE GASKET
F	SCREW & NYLON PLUG
G	WOOL PILE
H	ROLLER SLIDING
I	HANDLE LOCK
J	CAM LOCK
K	SETTING BLOCK

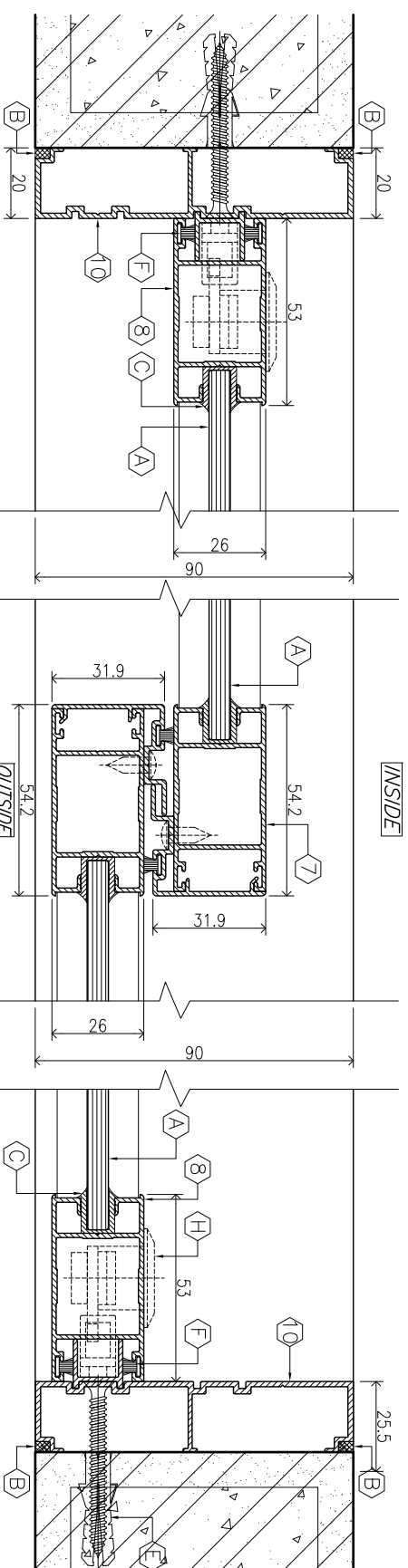


VERTICAL DETAIL



4

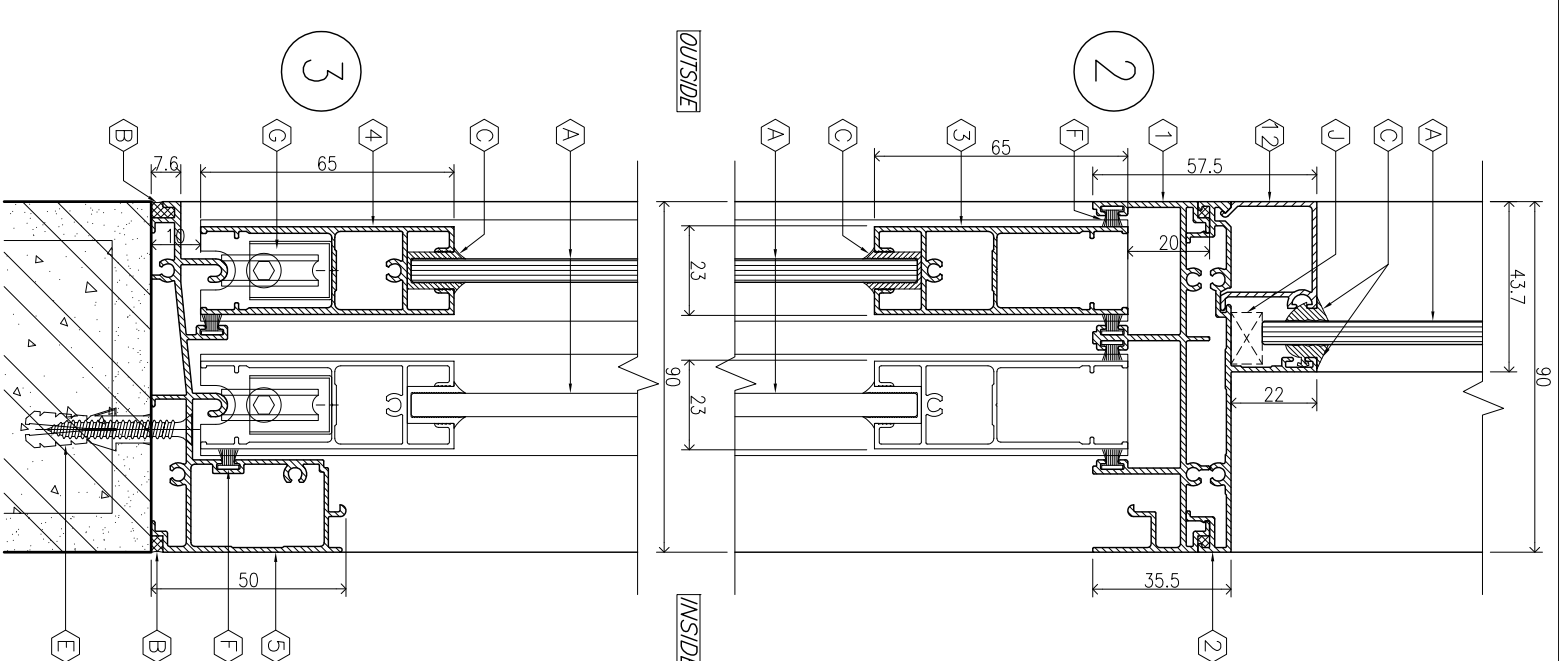
5



6

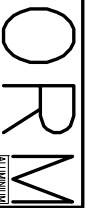
7

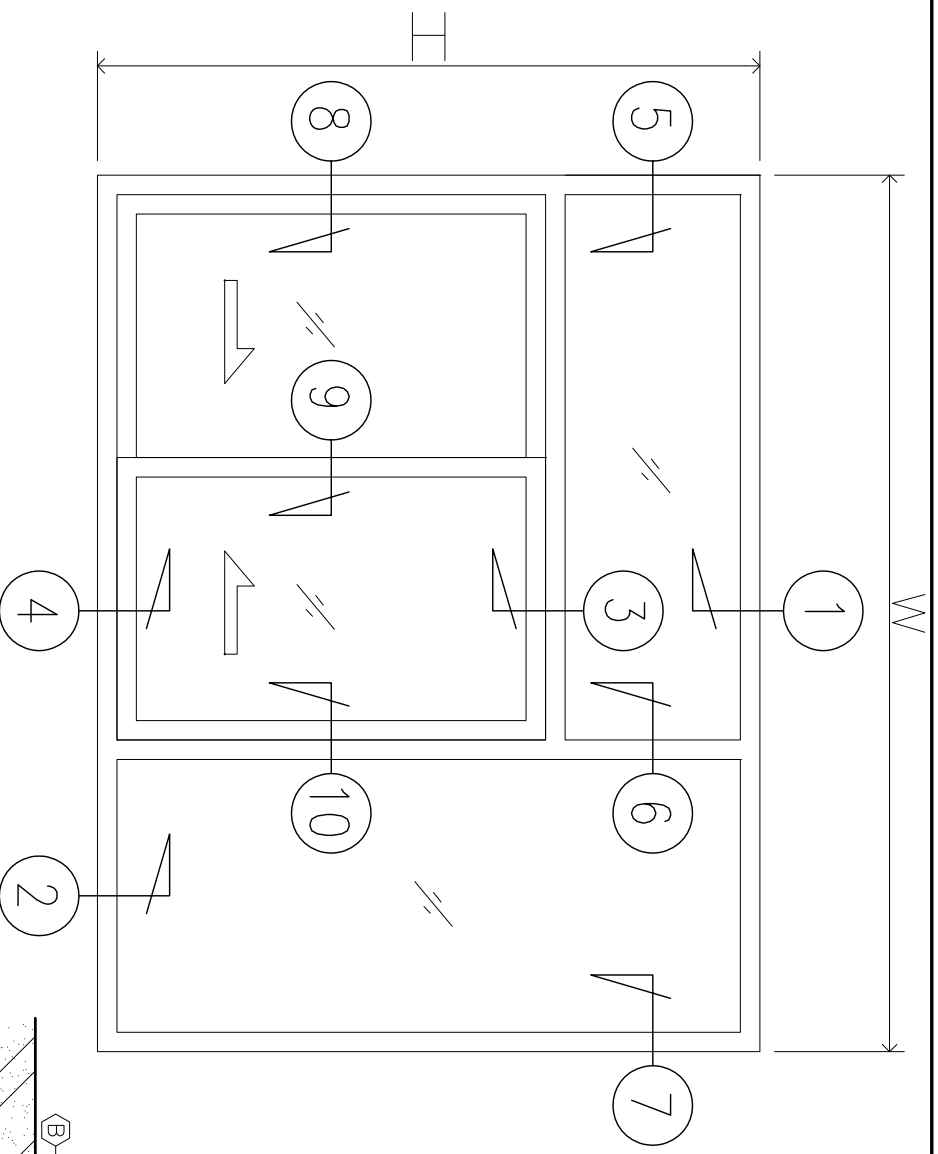
8



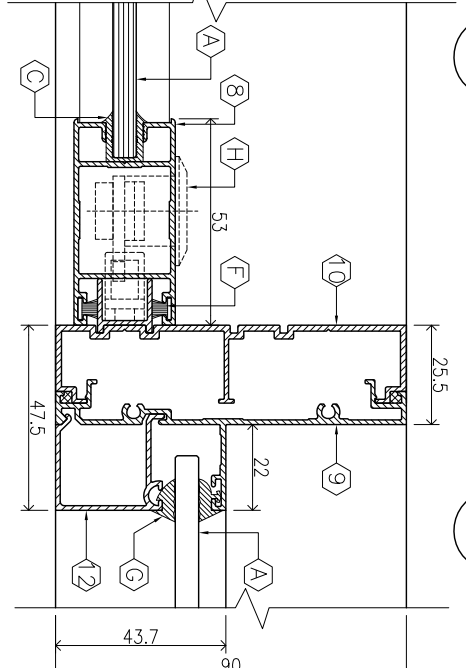
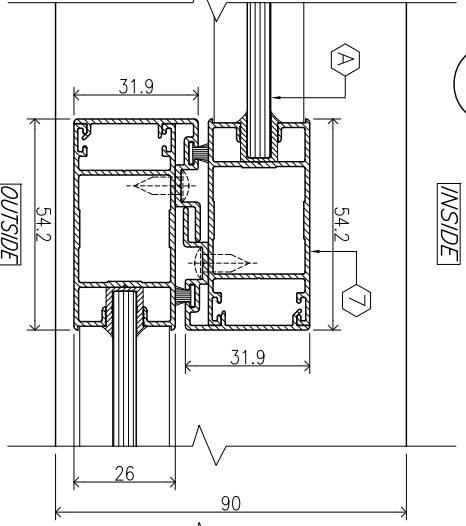
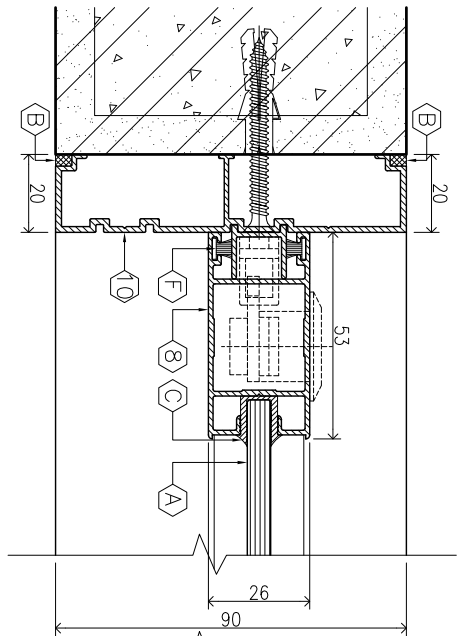
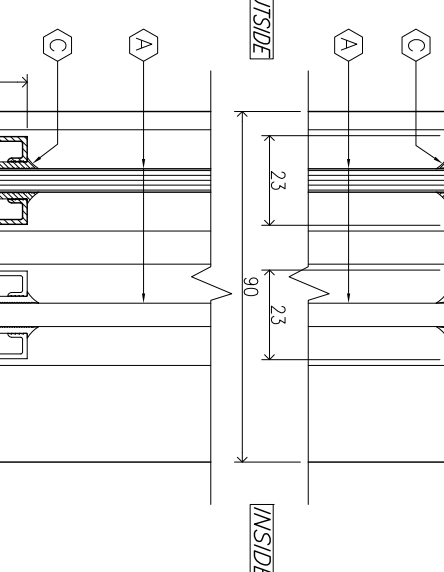
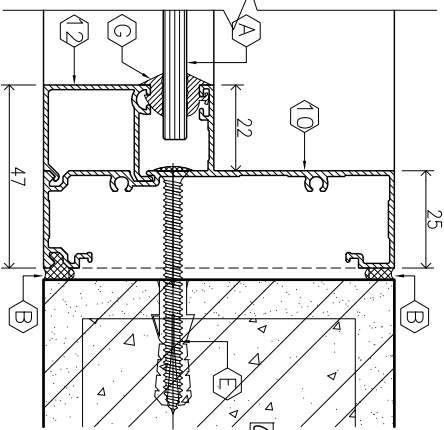
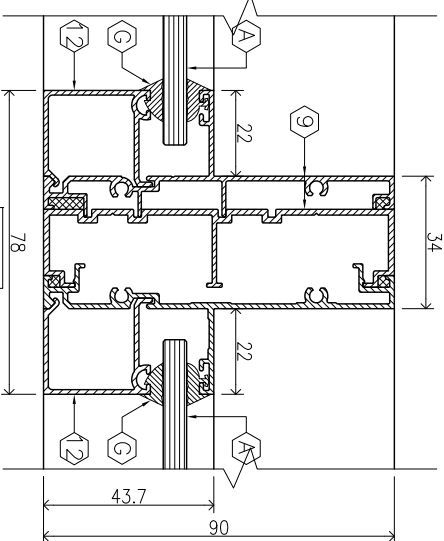
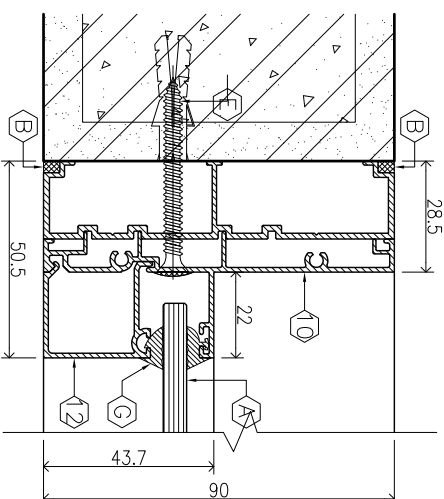
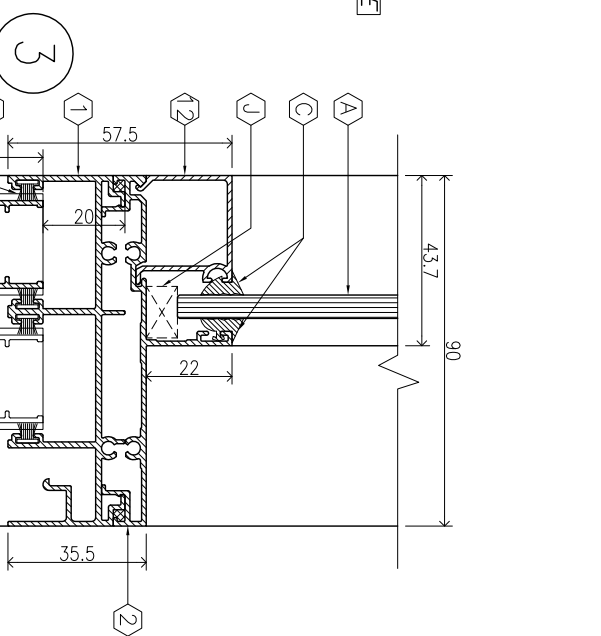
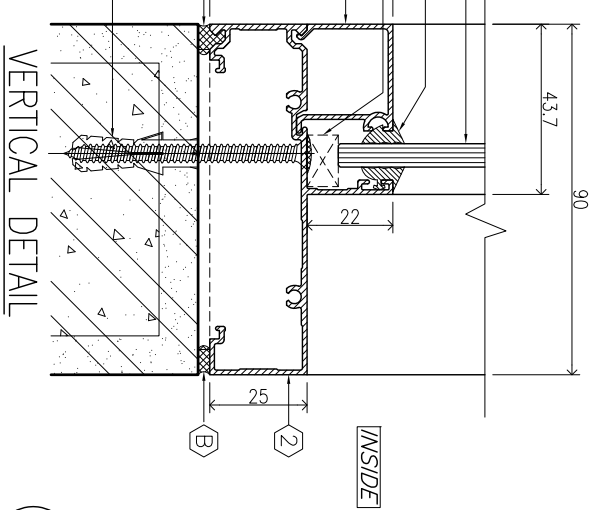
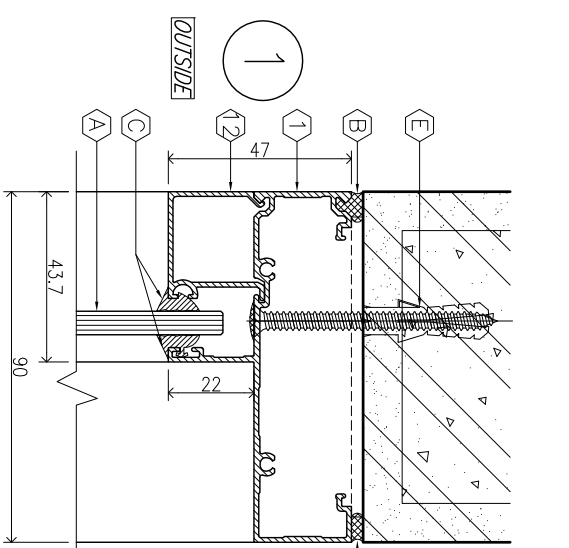
VERTICAL DETAIL

HORIZONTAL DETAIL

PROJECT : STANDARD PROJECT	OWNER :	ALUMINIUM CONTRACTOR :	 ALUMINIUM ORN (THAILAND) CO.,LTD. 27/28 Moo 11, Bangna-Boonrat Road, Bangna Suburb, Bangkok 10700 Tel. : 086-765-8863, 097-765-8884	DRAWING TITLE DOOR & WINDOW TYPICAL STANDARD DETAIL	<table border="1"> <thead> <tr> <th>NO.</th> <th>DATE</th> <th>REVISION DESCRIPTION</th> <th>APPROVED</th> </tr> </thead> <tbody> <tr> <td> </td> <td> </td> <td> </td> <td> </td> </tr> </tbody> </table>	NO.	DATE	REVISION DESCRIPTION	APPROVED				
NO.	DATE	REVISION DESCRIPTION	APPROVED										
LOCATION :	LOCATION :	DATE :	DESIGN & DWN : MANIT SRISANGSUNG ML.4193	CHKD. BY :	APPROVED BY :								
			SCALE : 1 : 2 (A3)		DRAWING NO. SW-04A								



TYPICAL SLIDING WINDOW & FIXED ELEVATION



ALUMINIUM EXTRUDED SECTION ALLOY 6063-T5	
1	HEAD SECTION
2	TRANSOM SECTION
3	TOPRAIL SECTION
4	BOTTOMRAIL SECTION
5	SILL SECTION
6	LOCKER STILE SECTION
7	INTER LOCKER STILE SECTION
8	STILE SECTION
9	MULLION SECTION
10	JAMB SECTION
11	SASH SECTION
12	BEAD SECTION

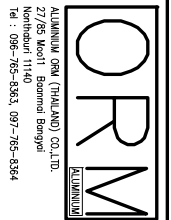
ACCESSORIES DOOR & WINDOW	
A	GLASS PANELS
B	SILICONE SEALANT
C	GLAZING GASKET
D	BUBBLE GASKET
E	SCREW & NYLON PLUG
F	WOOL PILE
G	ROLLER SLIDING
H	HANDLE LOCK
I	CAM LOCK
J	SETTING BLOCK

HORIZONTAL DETAIL

PROJECT :
STANDARD PROJECT

OWNER :

ALUMINIUM CONTRACTOR :



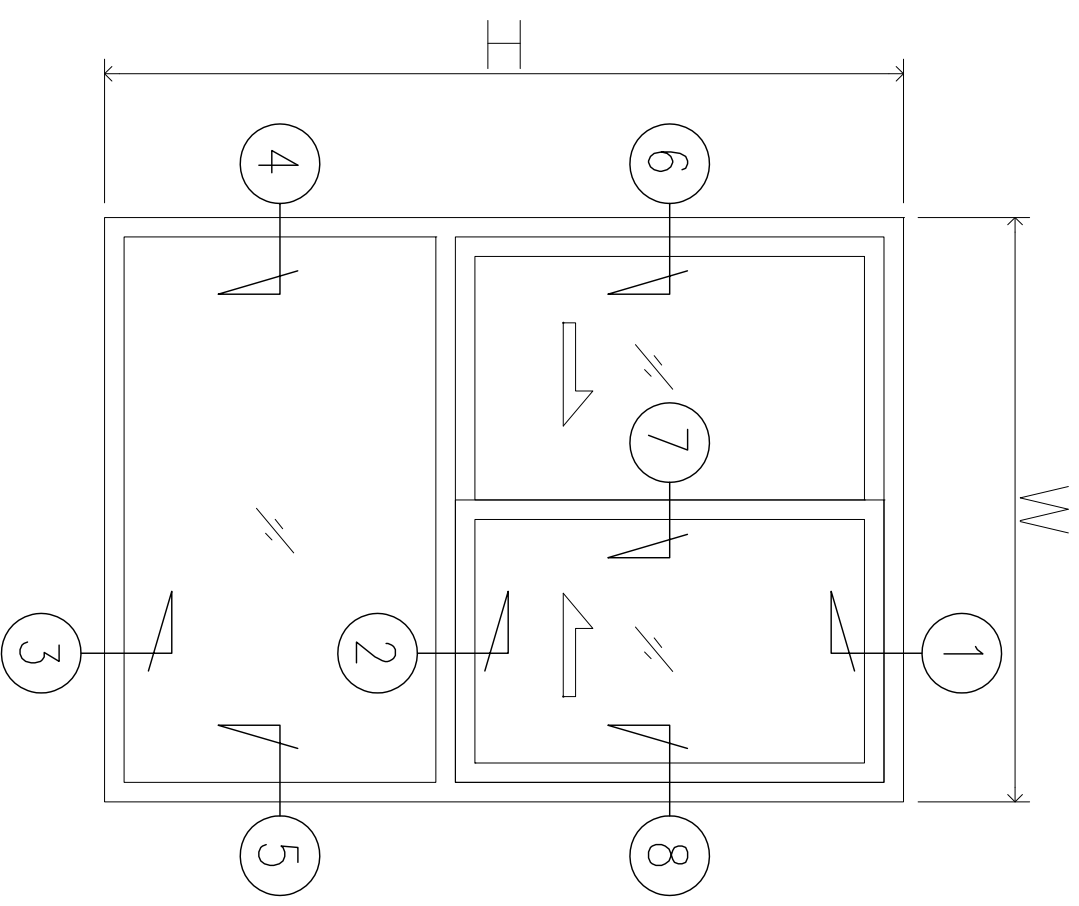
DRAWING TITLE

**DOOR & WINDOW
TYPICAL STANDARD DETAIL**

REVISION		DATE :	APPROVED BY
NO.	DATE	DESCRIPTION	

DESIGN & DWN :	MANIT SRISANGSUNG	DATE :	
CHKD. BY :		SCALE :	1 : 2 (A3)
DRAWING NO. :		APPROVED BY :	

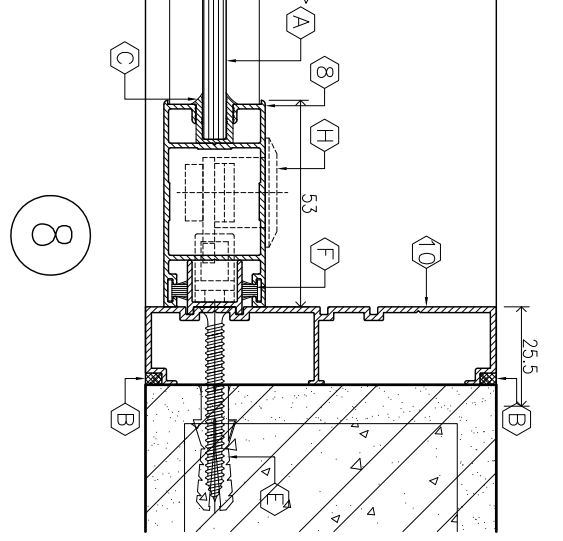
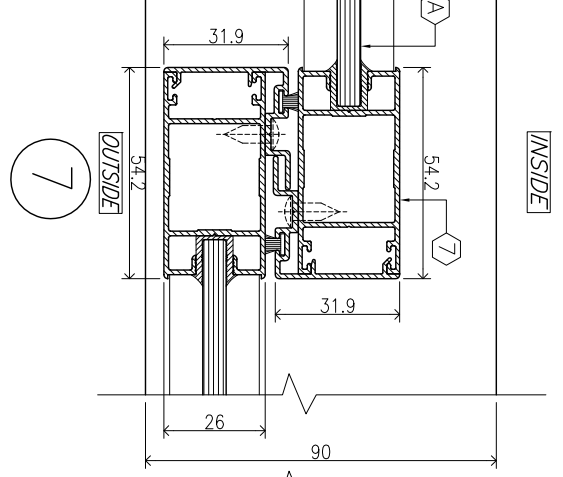
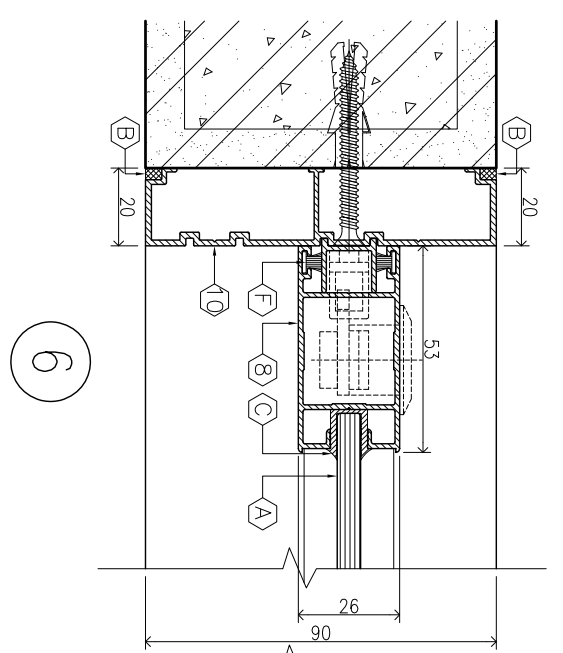
SW-05A



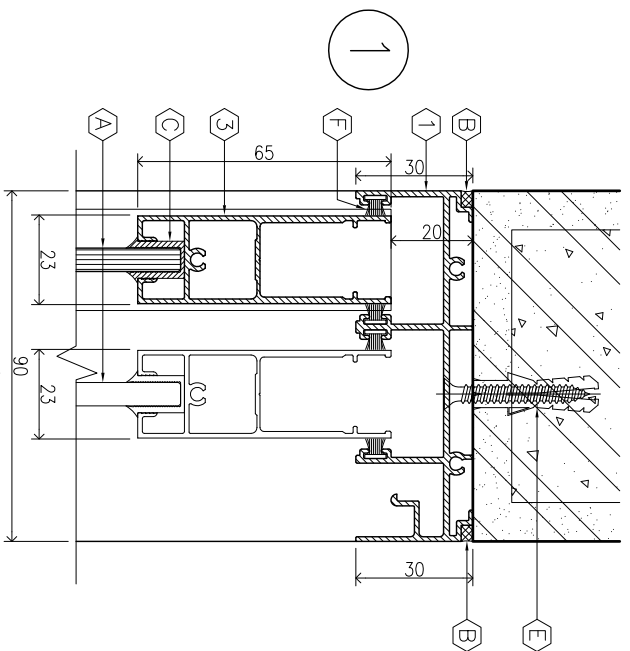
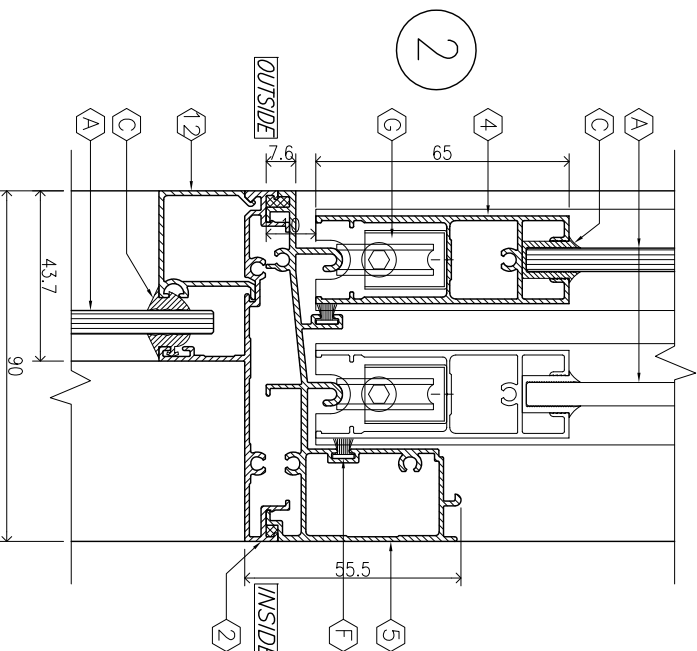
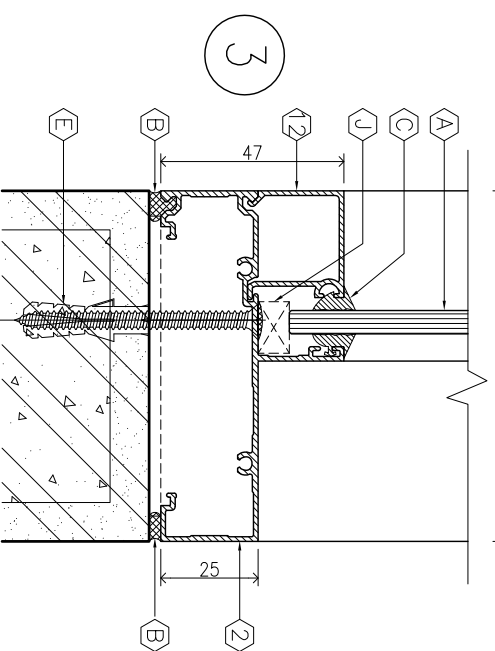
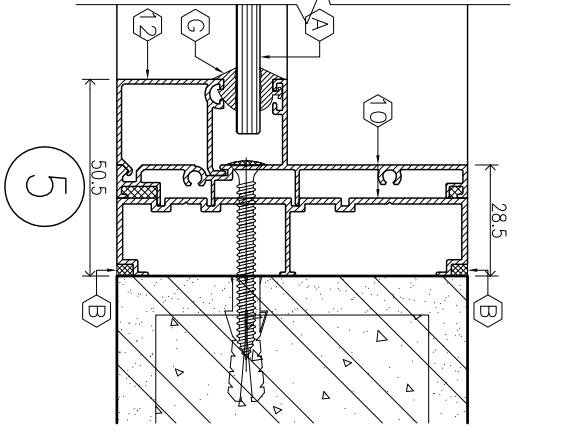
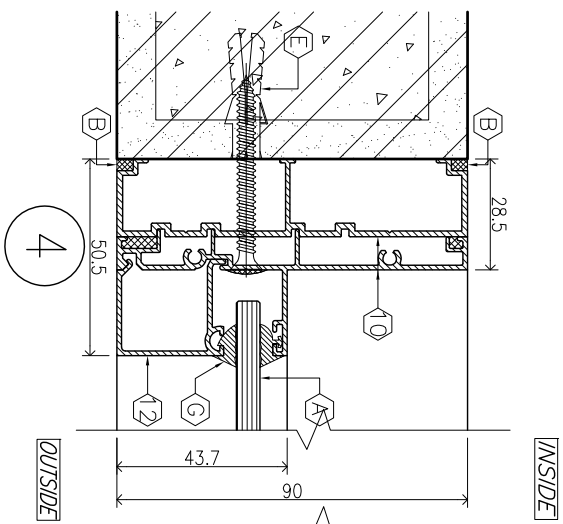
TYPICAL SLIDING WINDOW & FIXED ELEVATION

SYMBOL	DESCRIPTION
①	ALUMINIUM EXTRUDED SECTION ALLOY 6063-T5
②	HEAD SECTION
③	TRANSOM SECTION
④	TOPRAIL SECTION
⑤	BOTTOMRAIL SECTION
⑥	SILL SECTION
⑦	LOCKER STILE SECTION
⑧	INNER LOCKER STILE SECTION
⑨	STILE SECTION
⑩	MULLION SECTION
⑪	JAMB SECTION
⑫	SASH SECTION
⑬	BEAD SECTION

SYMBOL	DESCRIPTION
A	GLASS PANELS
B	SILICONE SEALANT
C	GLAZING GASKET
D	BUBBLE GASKET
E	SCREW & NYLON PLUG
F	WOOL PILE
G	ROLLER SLIDING
H	HANDLE LOCK
I	CAM LOCK
J	SETTING BLOCK



HORIZONTAL DETAIL



VERTICAL DETAIL

PROJECT :
STANDARD PROJECT
LOCATION :

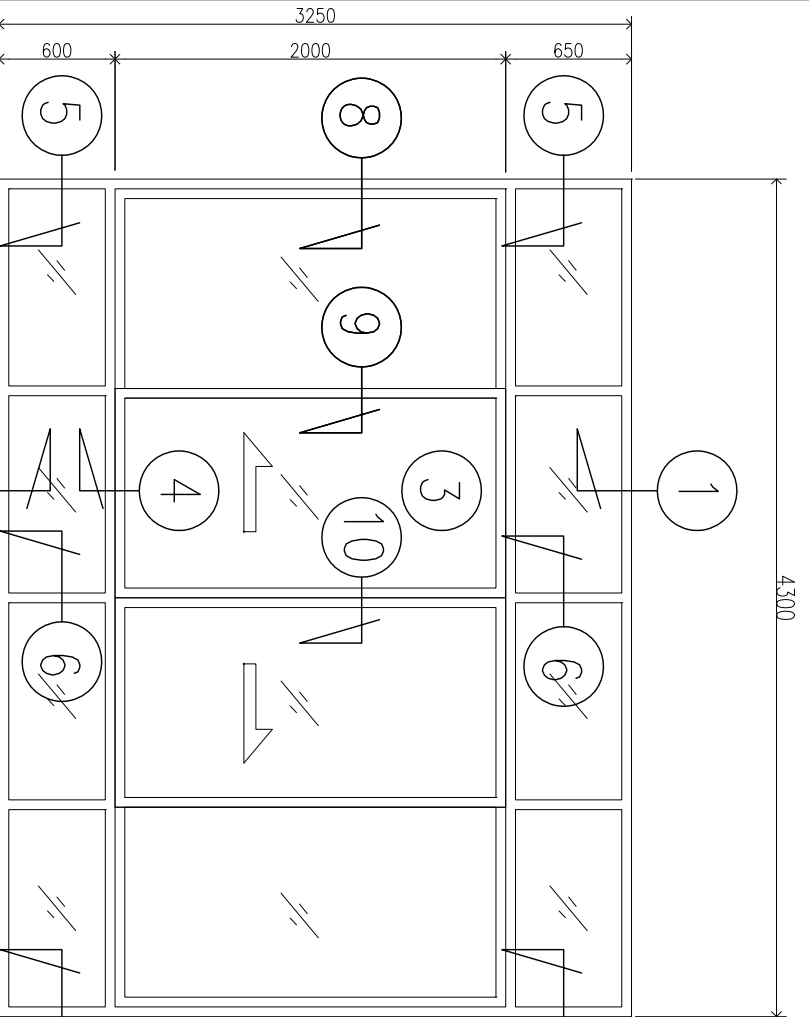
OWNER :
LOCATION :

ALUMINIUM CONTRACTOR :
ORM
ALUMINIUM CO. (THAILAND) CO., LTD.
27/28 Moo 11, Bangna-Boengye
Bangna Suburb, Bangkok
Tel. : 09-765-8861, 097-765-8864

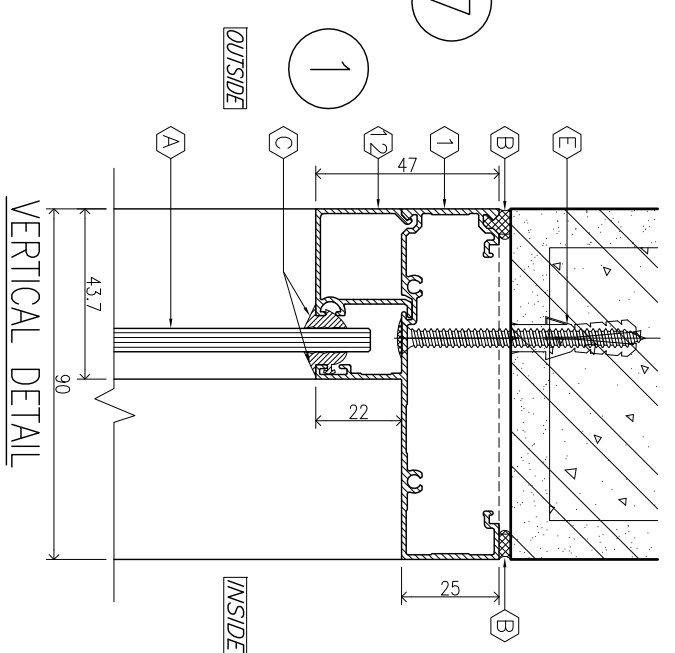
DRAWING TITLE
**DOOR & WINDOW
TYPICAL STANDARD DETAIL**

NO.	DATE	REVISION		APPROVED	DATE	APPROVED BY
		DESCRIPTION				

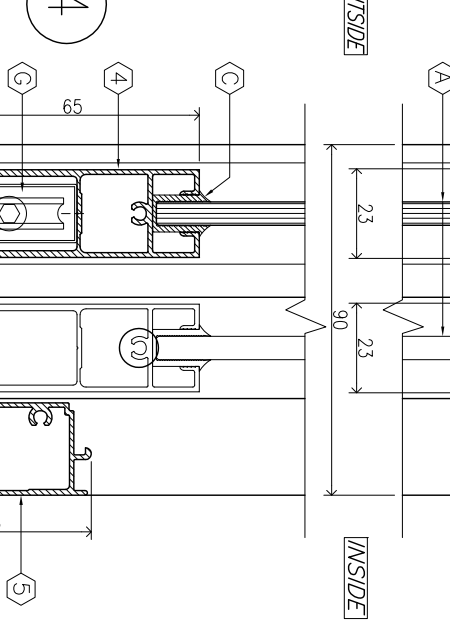
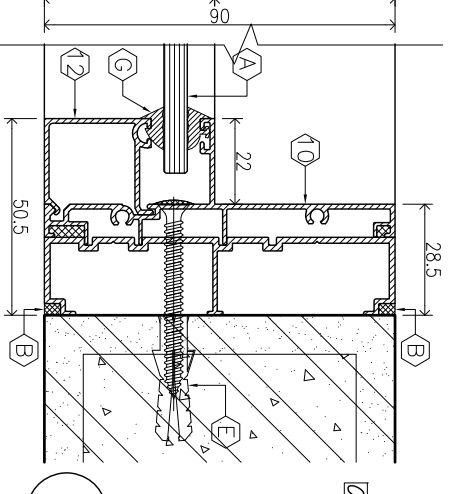
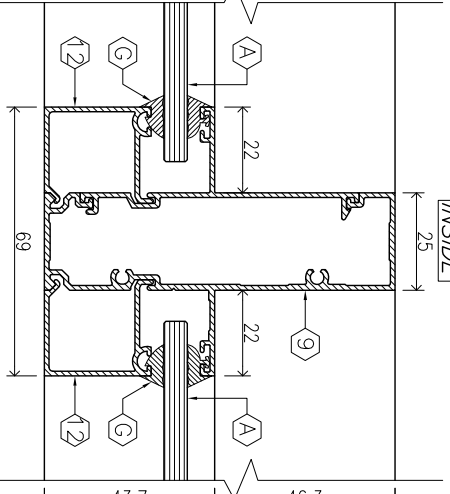
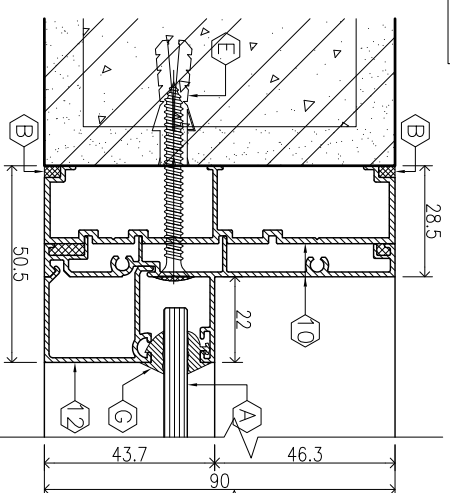
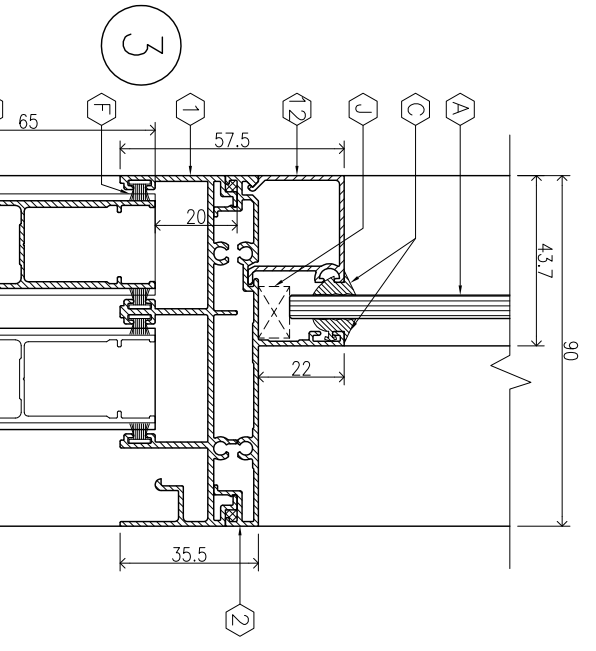
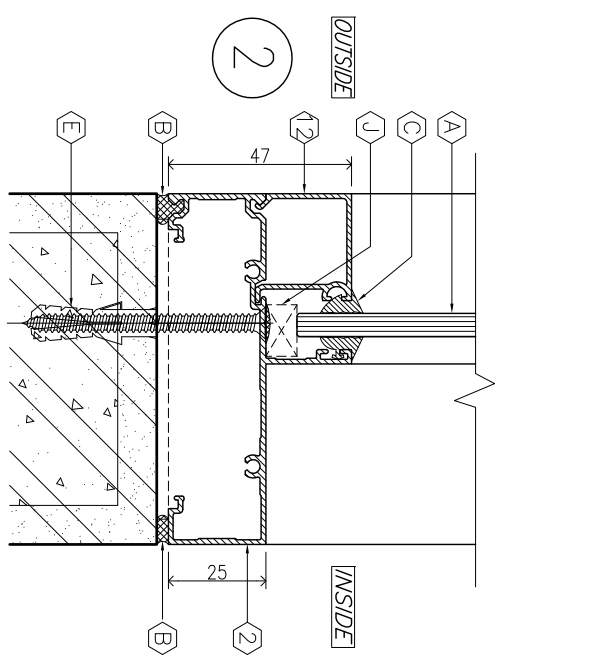
DESIGN & DWN : MANIT SRISANGSUNG ML.4193
CHKD. BY :
SCALE : 1 : 2 (A3)
DRAWING NO. **SW-06A**



TYPICAL SLIDING WINDOW & FIXED ELEVATION

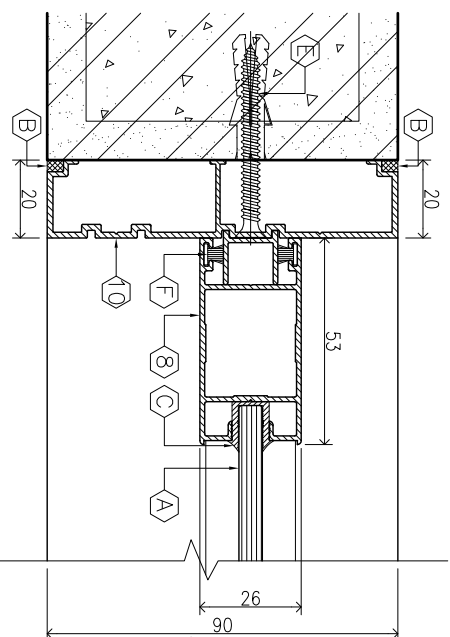


VERTICAL DETAIL

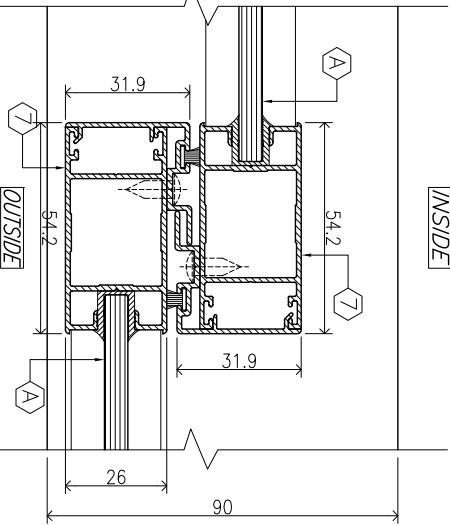


SYMBOL	ALUMINIUM EXTRUDED SECTION ALLOY 6063-15
1	HEAD SECTION
2	TRANSOM SECTION
3	TOPRAIL SECTION
4	BOTTOMRAIL SECTION
5	SILL SECTION
6	LOCKER STILE SECTION
7	INTER LOCKER STILE SECTION
8	STILE SECTION
9	MULLION SECTION
10	JAMB SECTION
11	SASH SECTION
12	BEAD SECTION

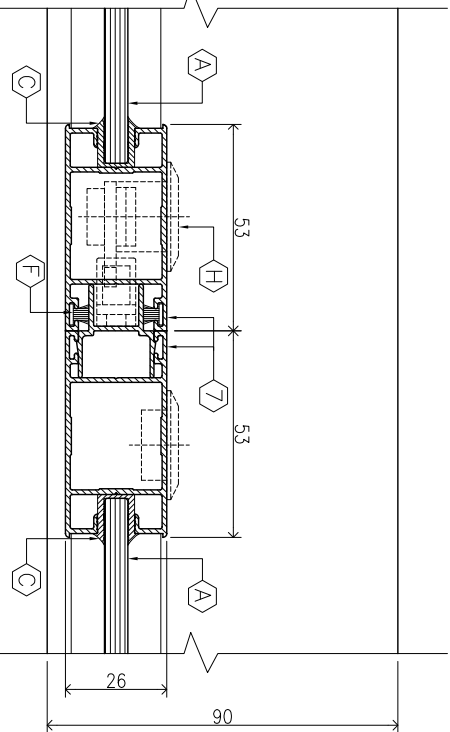
SYMBOL	ACCESSORIES DOOR & WINDOW
A	GLASS PANELS
B	SILICONE SEALANT
C	GLAZING GASKET
D	BUBBLE GASKET
E	SCREW & NYLON PLUG
F	WOOL PILE
G	ROLLER SLIDING
H	HANDLE LOCK
I	CAM LOCK
J	SETTING BLOCK



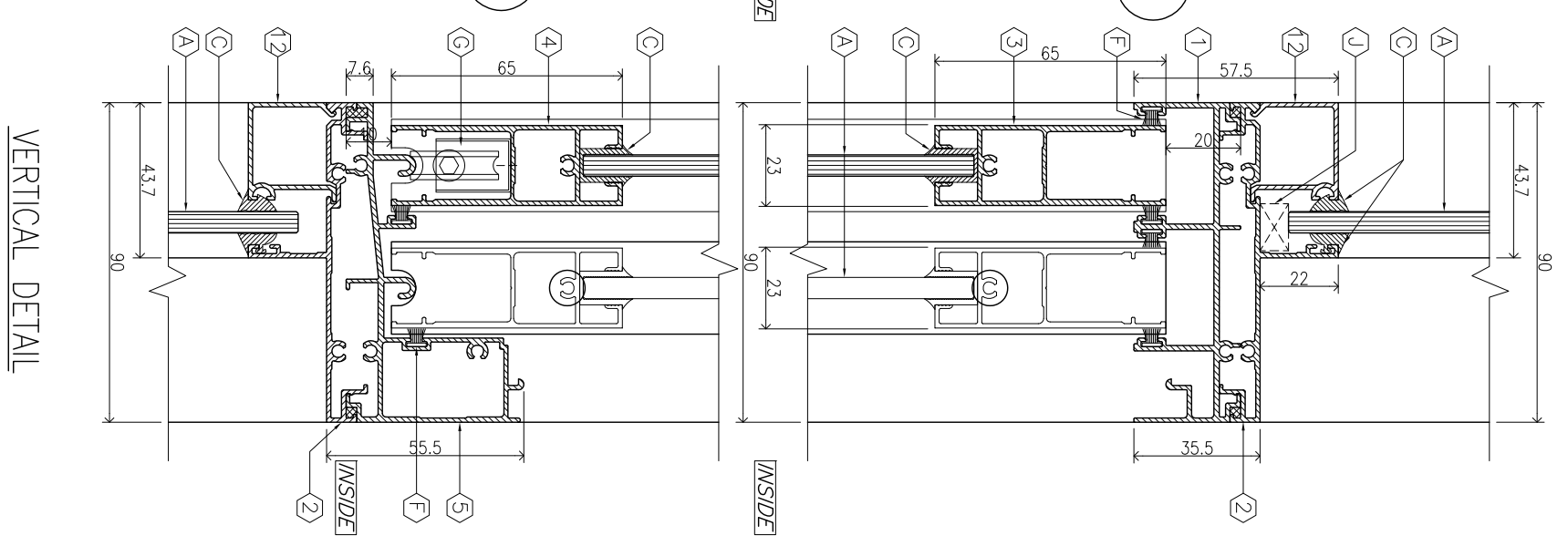
8



9



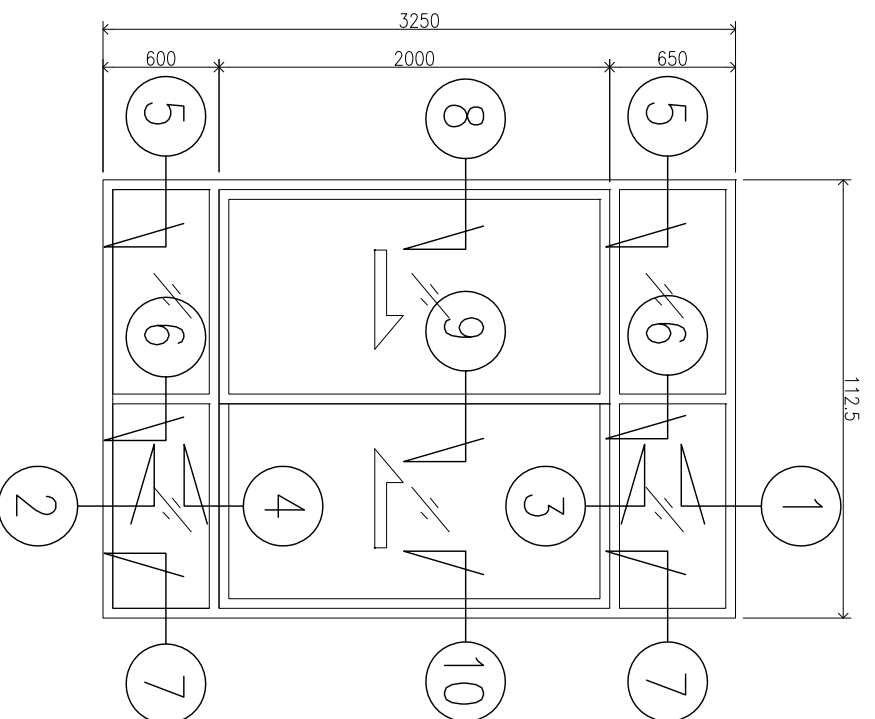
10



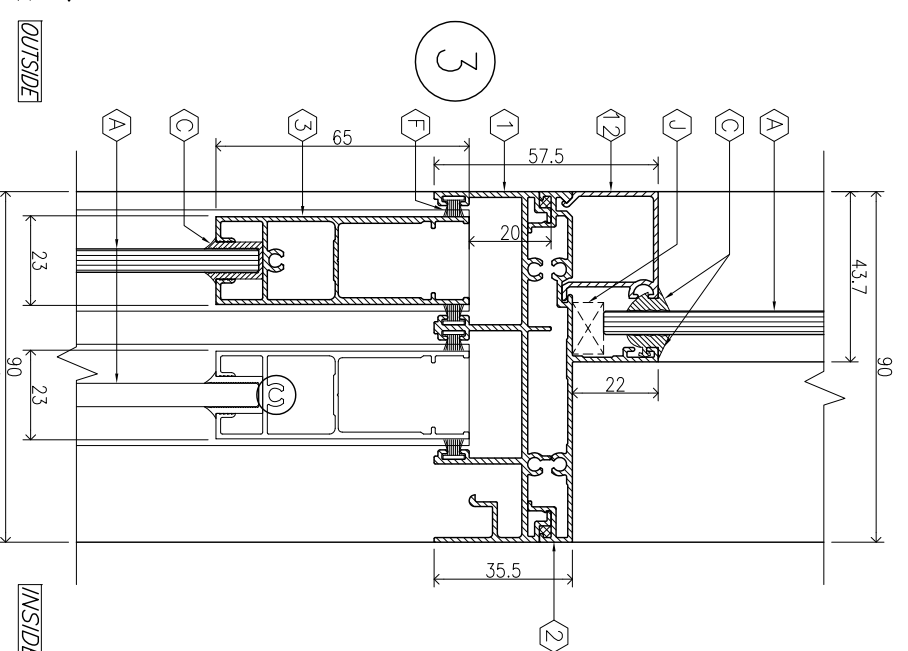
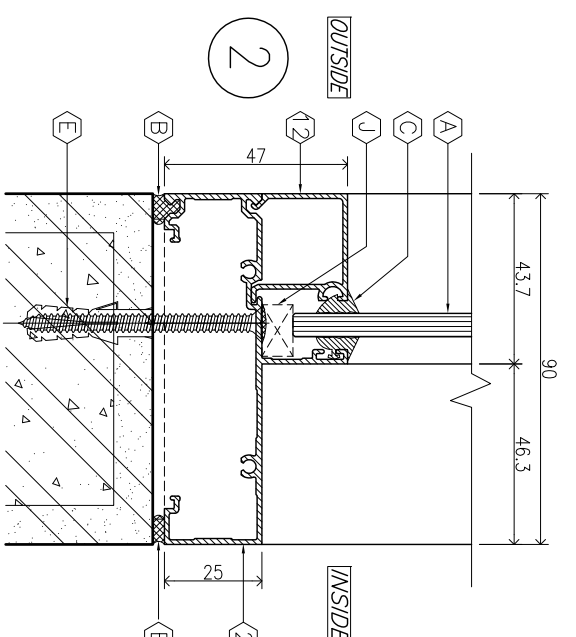
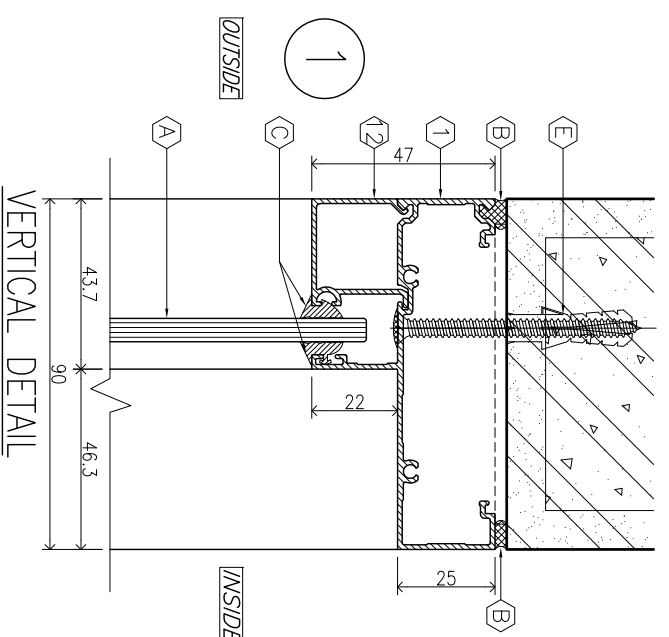
VERTICAL DETAIL

HORIZONTAL DETAIL

PROJECT : STANDARD PROJECT
 OWNER :
 LOCATION :
 ALUMINIUM CONTRACTOR :
ORM
 ALUMINIUM ORN (THAILAND) CO.,LTD.
 27/28 Moo 11, Bangma Boengye
 Bangma Boengye, Bangma Boengye
 Tel. : 096-765-8863, 097-765-8864
 DRAWING TITLE : DOOR & WINDOW TYPICAL STANDARD DETAIL
 REVISION :
 NO. DATE DESCRIPTION APPROVED
 DATE :
 DESIGN & DWN : MANIT SRISANGSUNG ML.4193
 CHKD. BY :
 SCALE : 1 : 2 (A3)
 APPROVED BY :
 DRAWING NO. : SW-07A

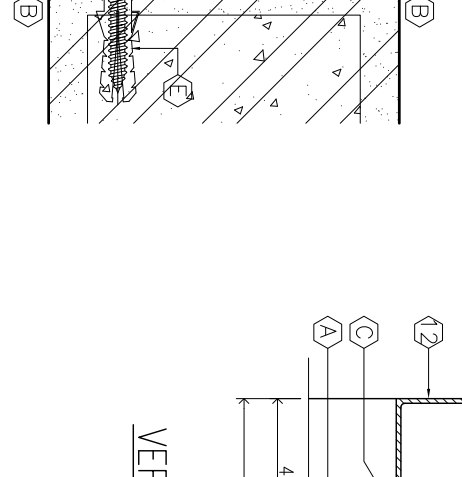
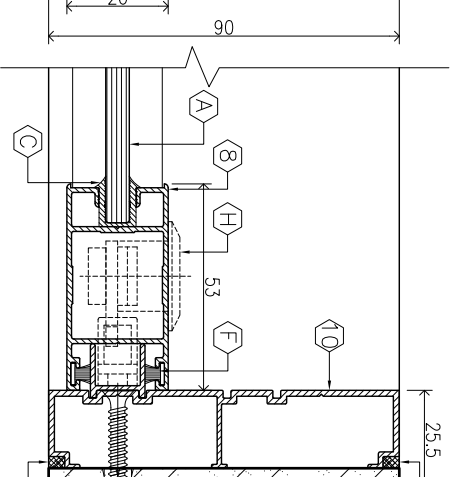
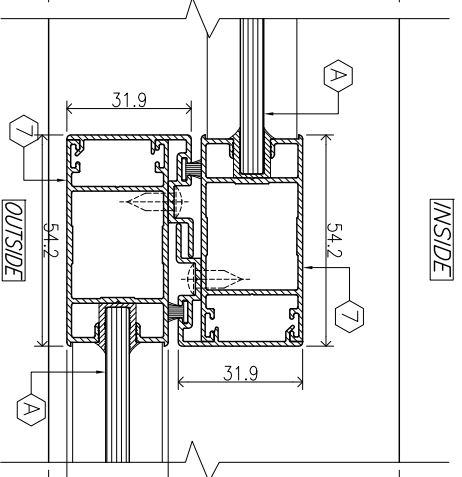
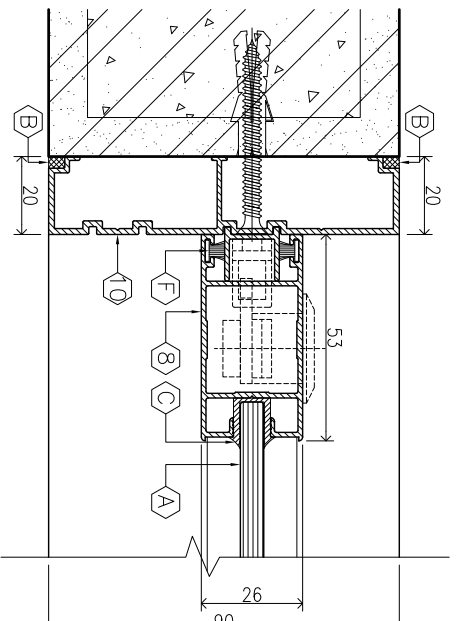
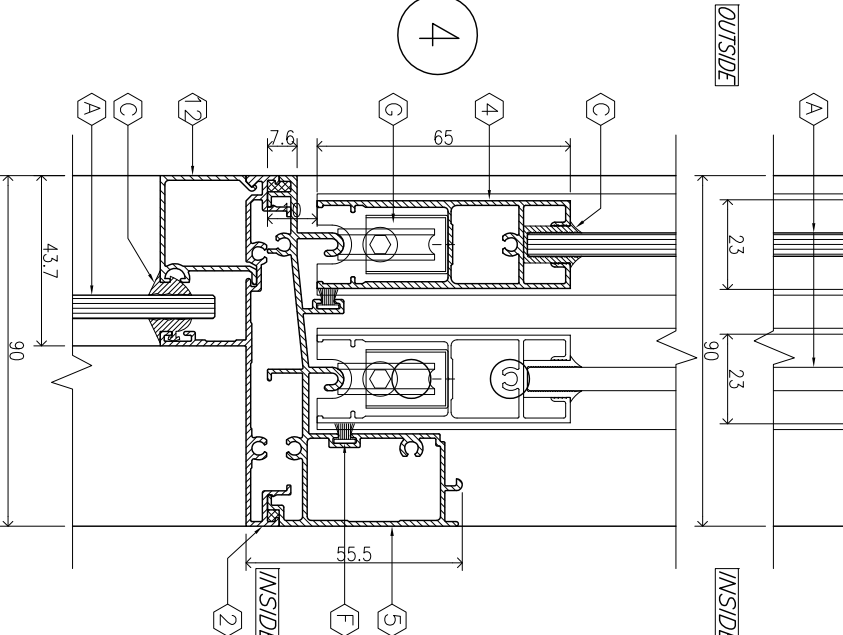
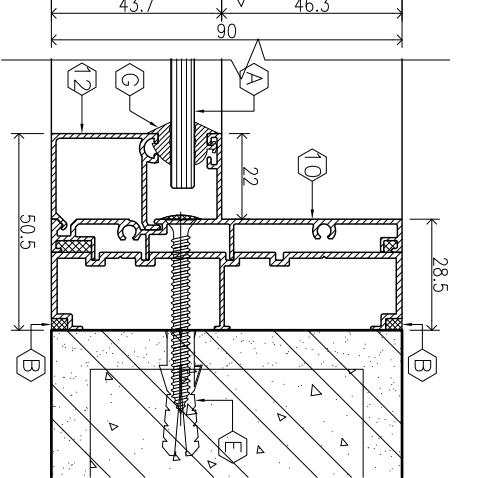
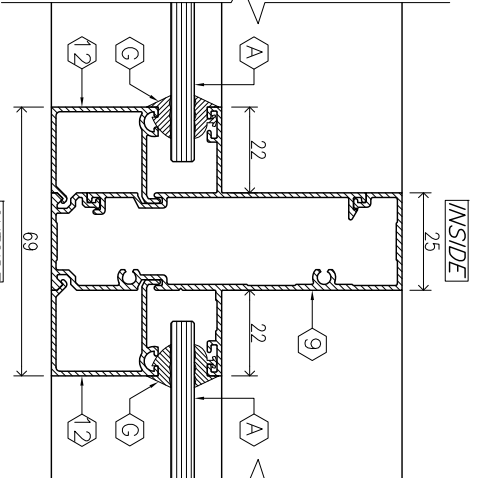
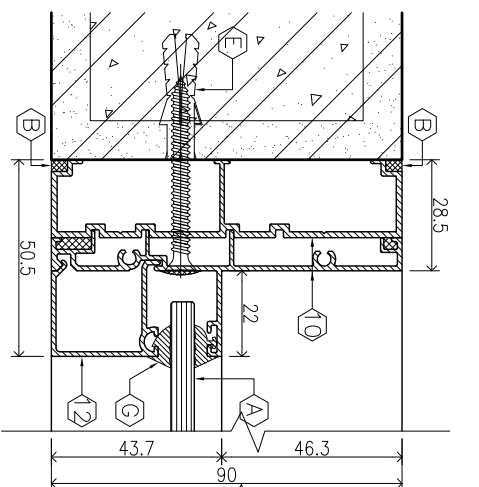


TYPICAL SLIDING WINDOW & FIXED ELEVATION



SYMBOL	DESCRIPTION
①	ALUMINIUM EXTRUDED SECTION ALLOY 6063-15
②	HEAD SECTION
③	TRANSOM SECTION
④	TOPRAIL SECTION
⑤	BOTTOMRAIL SECTION
⑥	SILL SECTION
⑦	LOCKER STILE SECTION
⑧	INTER LOCKER STILE SECTION
⑨	STILE SECTION
⑩	MULLION SECTION
⑪	JAMB SECTION
⑫	SASH SECTION
⑬	BEAD SECTION

SYMBOL	DESCRIPTION
A	ACCESSORIES DOOR & WINDOW
B	GLASS PANELS
C	SILICONE SEALANT
D	GLAZING GASKET
E	BUBBLE GASKET
F	SCREW & NYLON PLUG
G	WOOL PILE
H	ROLLER SLIDING
I	HANDLE LOCK
J	CAM LOCK
K	SETTING BLOCK



⑧

⑨

⑩

HORIZONTAL DETAIL

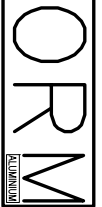
VERTICAL DETAIL

PROJECT : STANDARD PROJECT OWNER : ALUMINIUM CONTRACTOR : ORM ALUMINIUM CO., LTD. 27/28 Moo 11, Bangna-Prada Road, Bangna District, Bangkok 10700, Thailand Tel. : 086-765-8861, 097-765-8884 DRAWING TITLE : DOOR & WINDOW TYPICAL STANDARD DETAIL DATE : DESIGN & DWN : MAHIT SRSANGSUNG TEL. 4193 SCALE : 1 : 2 (A3) APPROVED BY : SW-08A

LOCATION :

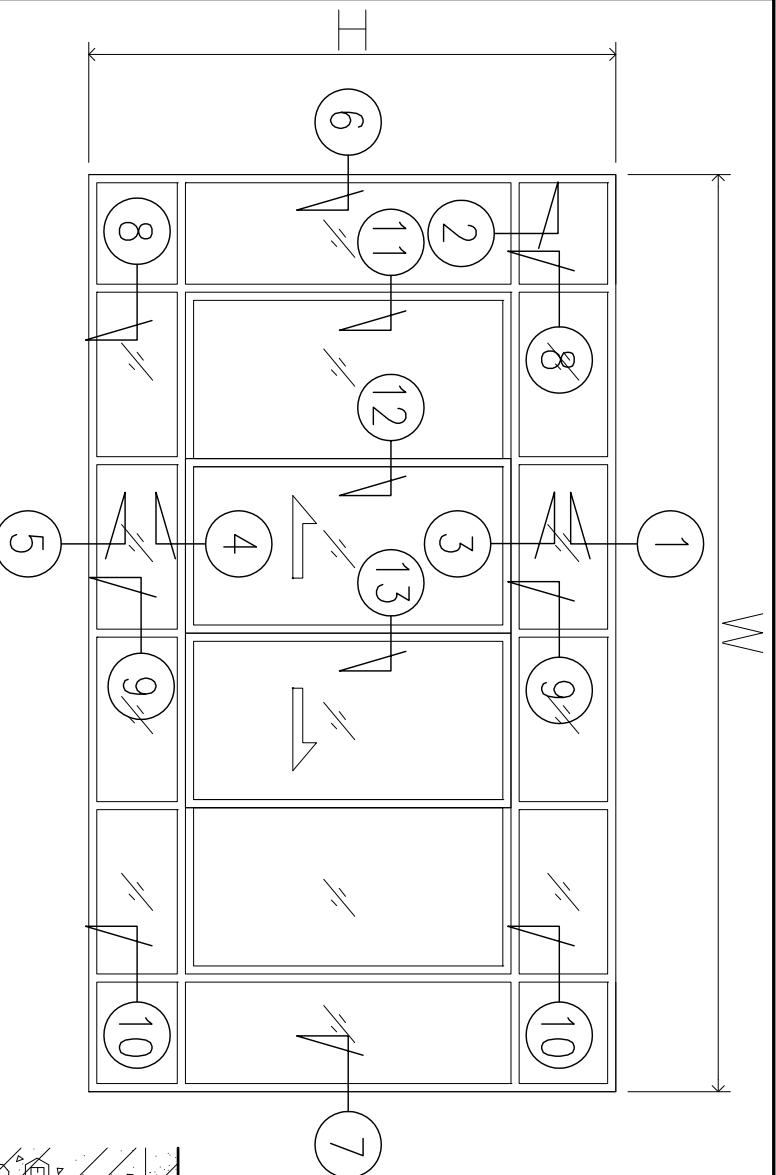
OWNER :

ALUMINIUM CONTRACTOR :

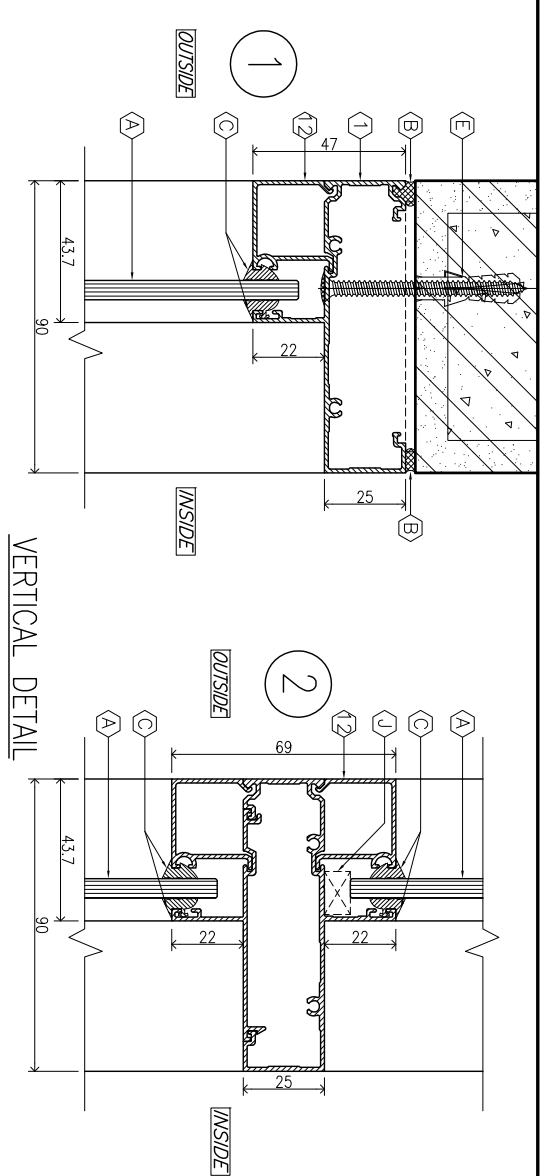


NO.	DATE	REVISION DESCRIPTION	APPROVED

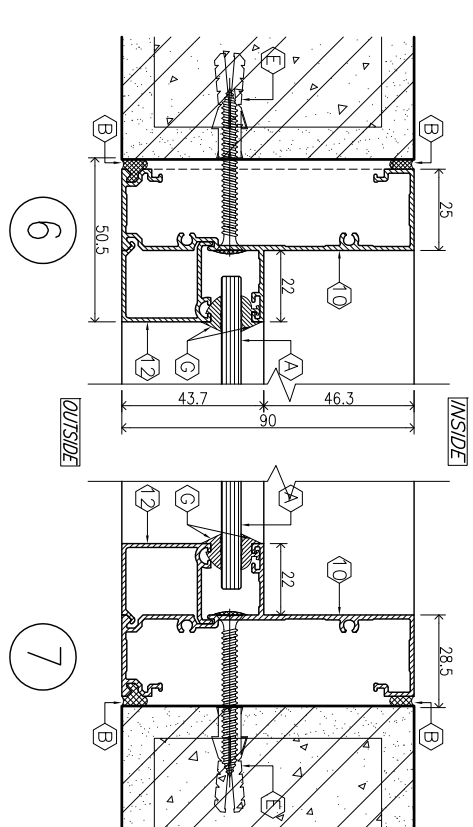
DRAWING NO. : SW-08A



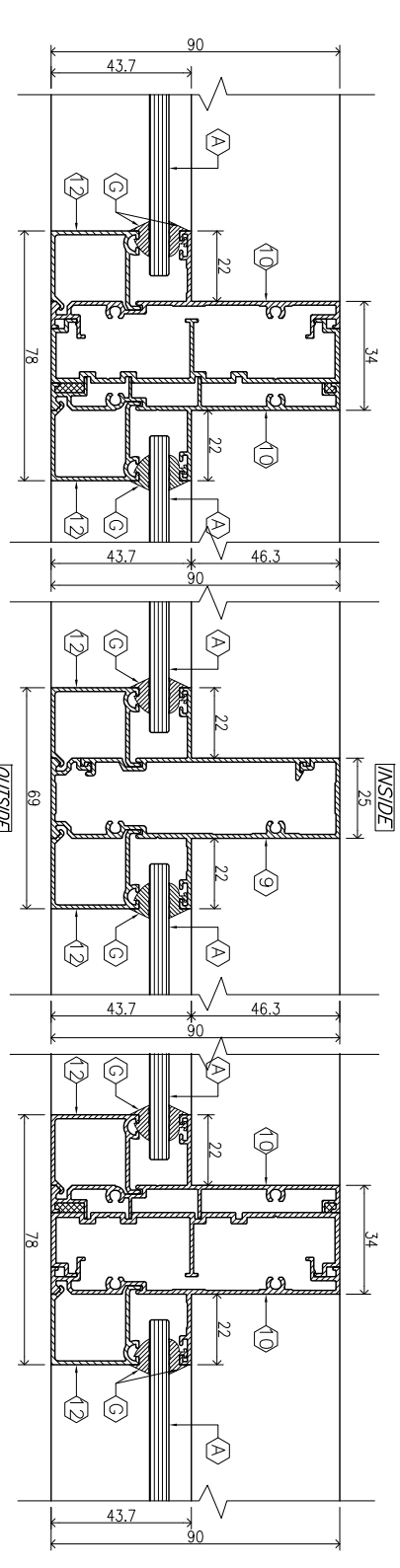
SLIDING WINDOW & FIXED ELEVATION



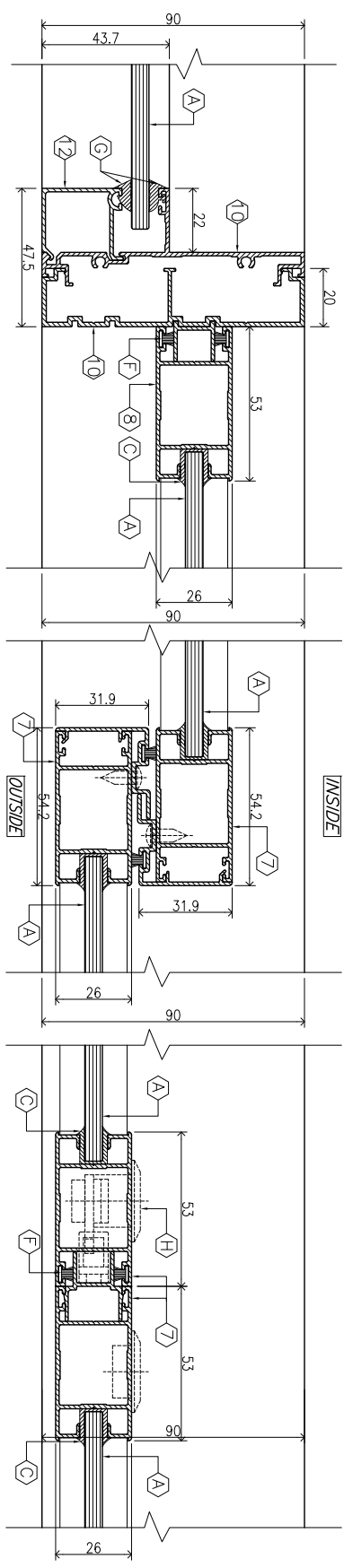
VERTICAL DETAIL



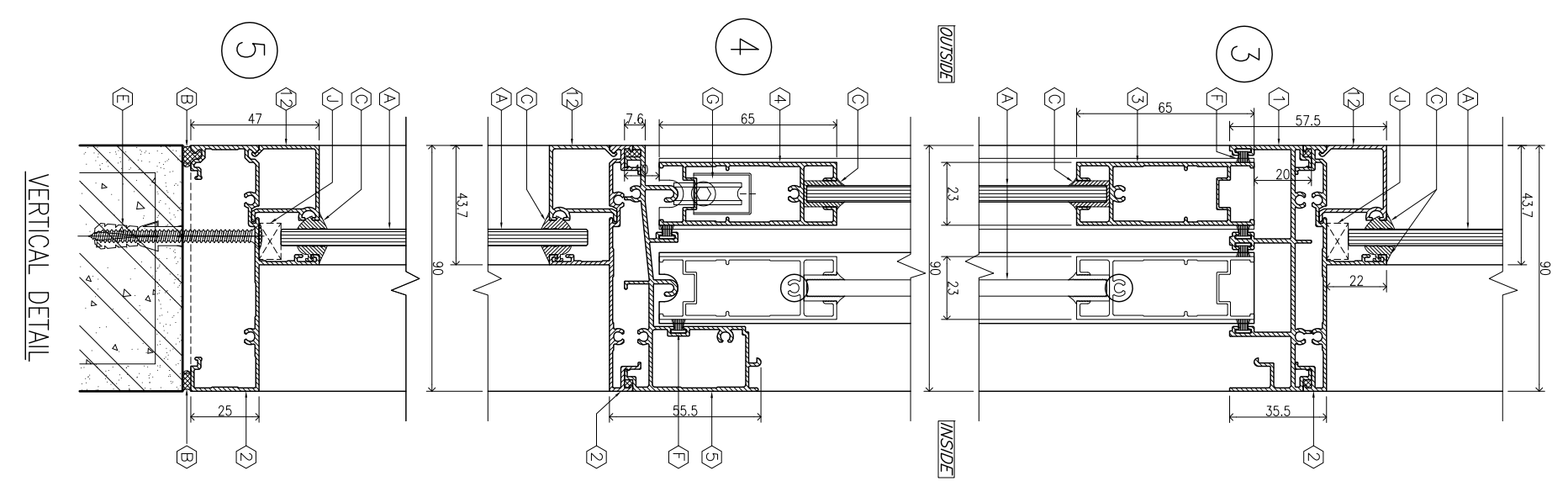
VERTICAL DETAIL



HORIZONTAL DETAIL



HORIZONTAL DETAIL



VERTICAL DETAIL

SYMBOL		ALUMINIUM EXTRUDED SECTION ALLOY 6063-T5
①	HEAD SECTION	
②	TRANSOM SECTION	
③	TOPRAIL SECTION	
④	BOTTOMRAIL SECTION	
⑤	SILL SECTION	
⑥	LOCKER STILE SECTION	
⑦	INNER LOCKER STILE SECTION	
⑧	STILE SECTION	
⑨	MULLION SECTION	
⑩	JAMB SECTION	
⑪	SASH SECTION	
⑫	BEAD SECTION	
SYMBOL		ACCESSORIES DOOR & WINDOW
A	GLASS PANELS	
B	SILICONE SEALANT	
C	GLAZING GASKET	
D	BUBBLE GASKET	
E	SCREW & NYLON PLUG	
F	WOOL PILE	
G	ROLLER SLIDING	
H	HANDLE LOCK	
I	CAM LOCK	
J	SETTING BLOCK	

PROJECT : STANDARD PROJECT

OWNER :

ALUMINIUM CONTRACTOR :

ALUMINIUM CON (THAILAND) CO.,LTD.
 27/28 Moo 11, Bangna-Boonrat Road, Bangna District, Bangkok 10700, Thailand
 Tel. : 086-765-8363, 097-765-8364

DRAWING TITLE : DOOR & WINDOW TYPICAL STANDARD DETAIL

NO.	DATE	REVISION DESCRIPTION	APPROVED

DATE :
 DESIGN & DWN : MANIT SRSANGSUNG ML.4193
 CHKD. BY :
 SCALE : 1 : 2 (A3)

APPROVED BY :
 DRAWING NO. : SW-09A