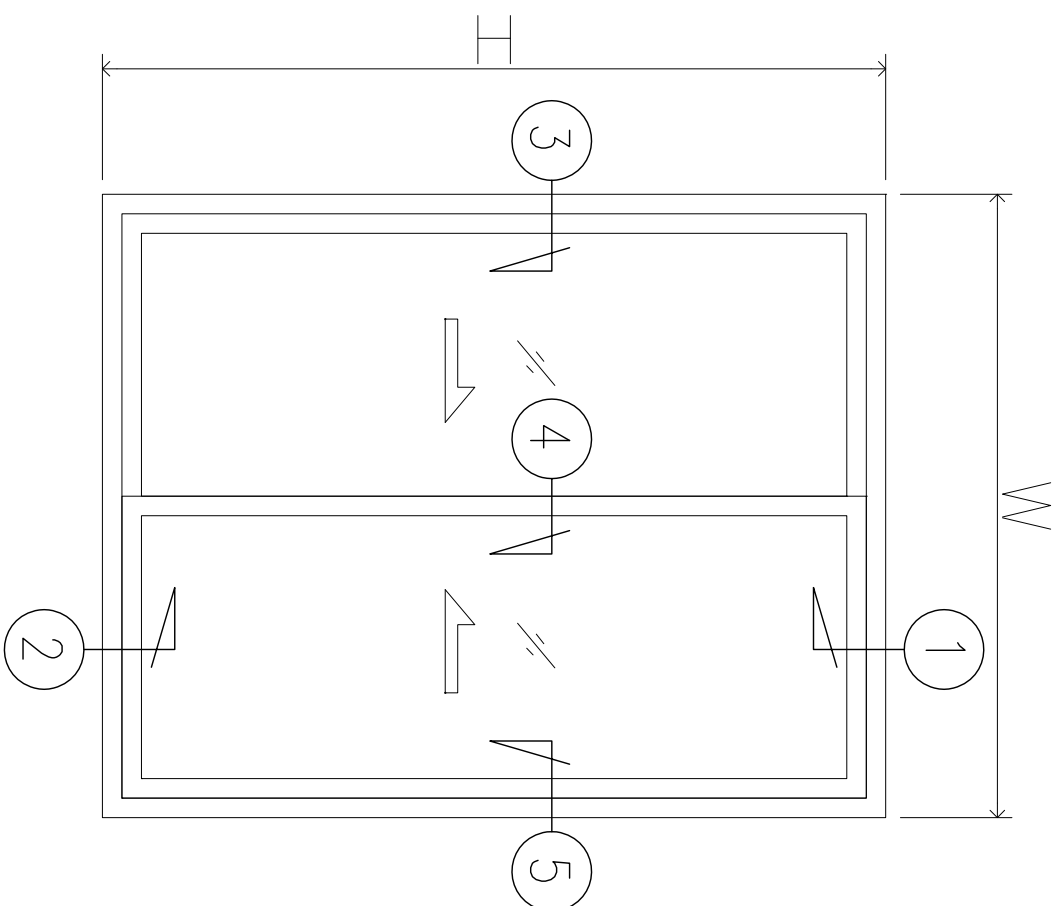


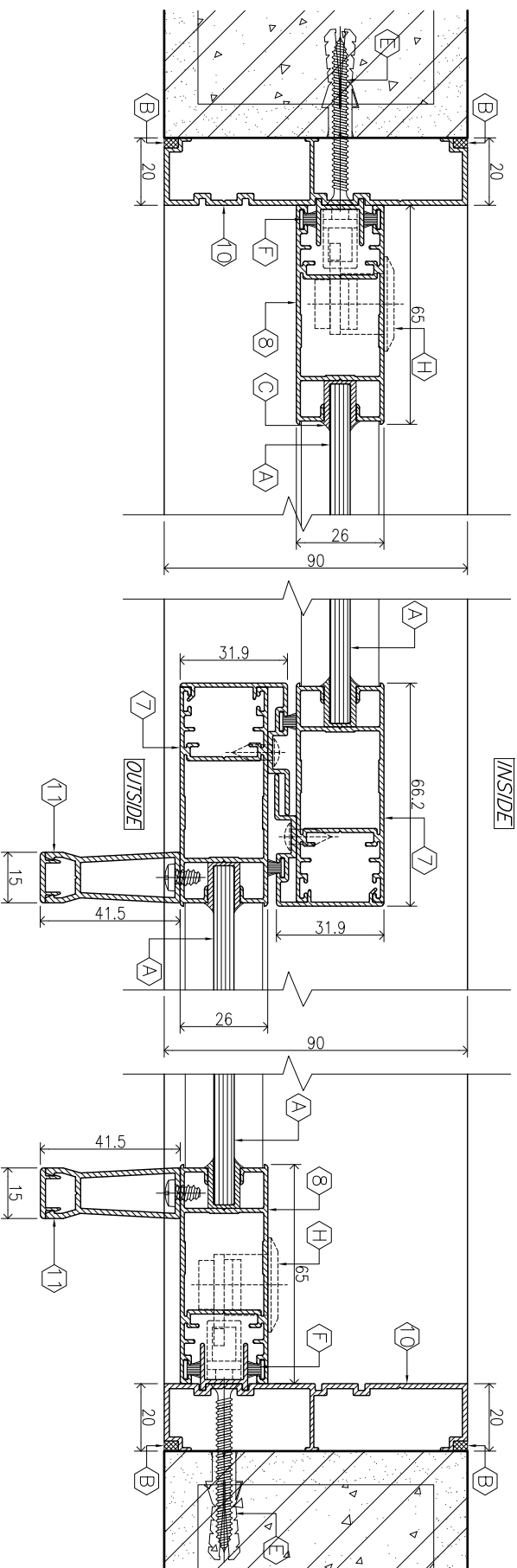
5-ଅତ୍ରଃ ଅତ୍ରଃ । ଶତ୍ରୁଃ ଶତ୍ରୁଃ । ଶତ୍ରୁଃ ଶତ୍ରୁଃ । ଶତ୍ରୁଃ ଶତ୍ରୁଃ ।

SYMBOL	ALUMINIUM EXTRUDED SECTION ALLOY 6063-T5
①	HEAD SECTION
②	TRANSOM SECTION
③	TOPRAIL SECTION
④	BOTTOMRAIL SECTION
⑤	SILL SECTION
⑥	LOCKER STILE SECTION
⑦	INNER LOCKER STILE SECTION
⑧	STILE SECTION
⑨	MULLION SECTION
⑩	JAMB SECTION
⑪	STIFFENER SECTION

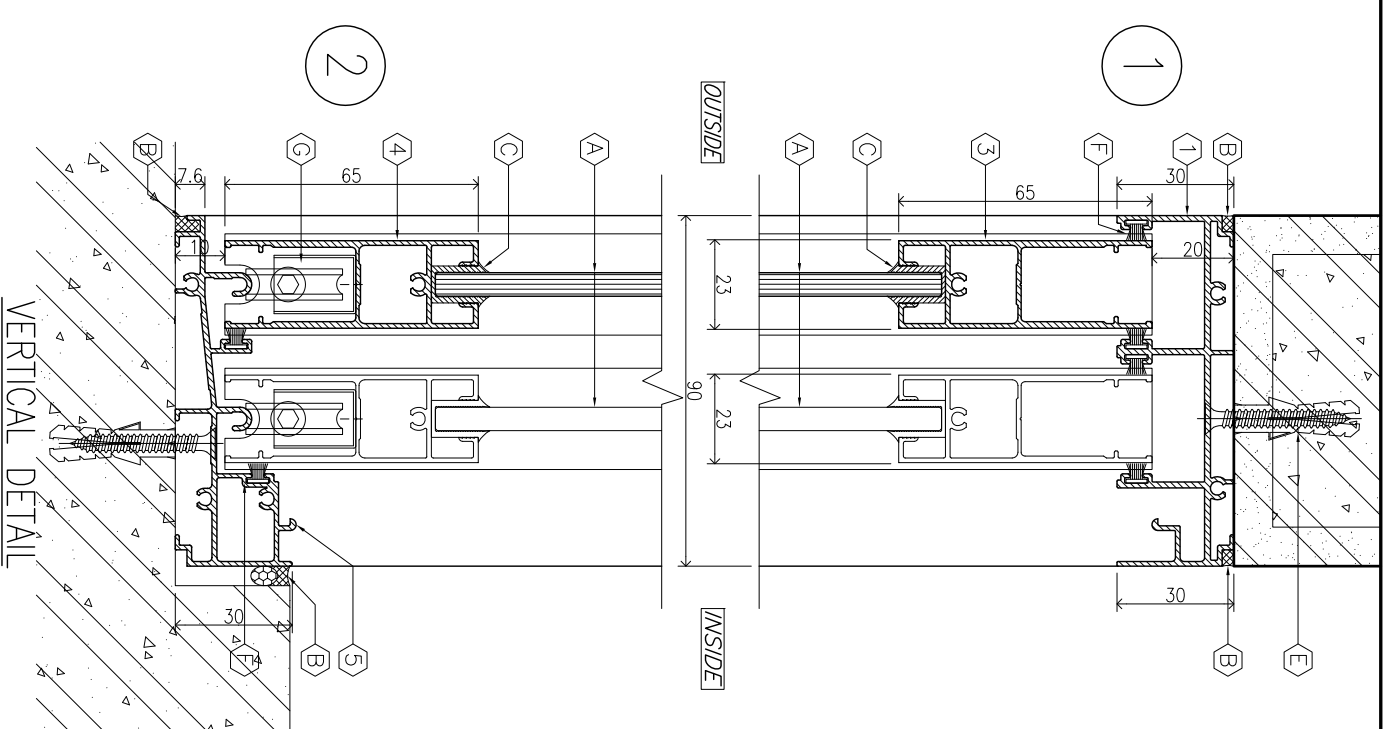
SYMBOL	ACCESSORIES DOOR & WINDOW
Ⓐ	GLASS PANELS
Ⓑ	SILICONE SEALANT
Ⓒ	GLAZING GASKET
Ⓓ	BUBBLE GASKET
Ⓔ	SCREW & NYLON PLUG
Ⓕ	WOOL PILE
Ⓖ	ROLLER SLIDING
Ⓗ	HANDLE LOCK
Ⓘ	CAM LOCK
⓫	SETTING BLOCK



TYPICAL SLIDING DOOR ELEVATION



HORIZONTAL DETAIL

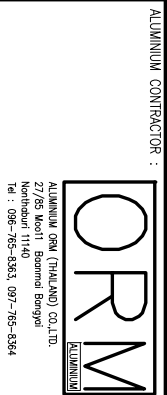


VERTICAL DETAIL

PROJECT :
STANDARD PROJECT

OWNER :

ALUMINIUM CONTRACTOR :



DRAWING TITLE
**DOOR & WINDOW
TYPICAL STANDARD DETAIL**

NO.	DATE	REVISION DESCRIPTION	APPROVED

DATE :
DESIGN & DWN : MANIT SRISANGSUNG
CHKD. BY :
SCALE : 1 : 2 (A3)

APPROVED BY
DRAWING NO.
SDF-01

