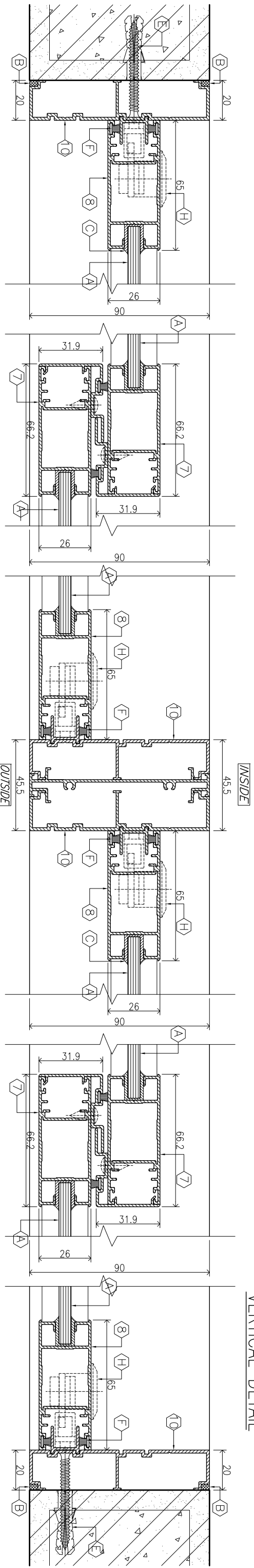
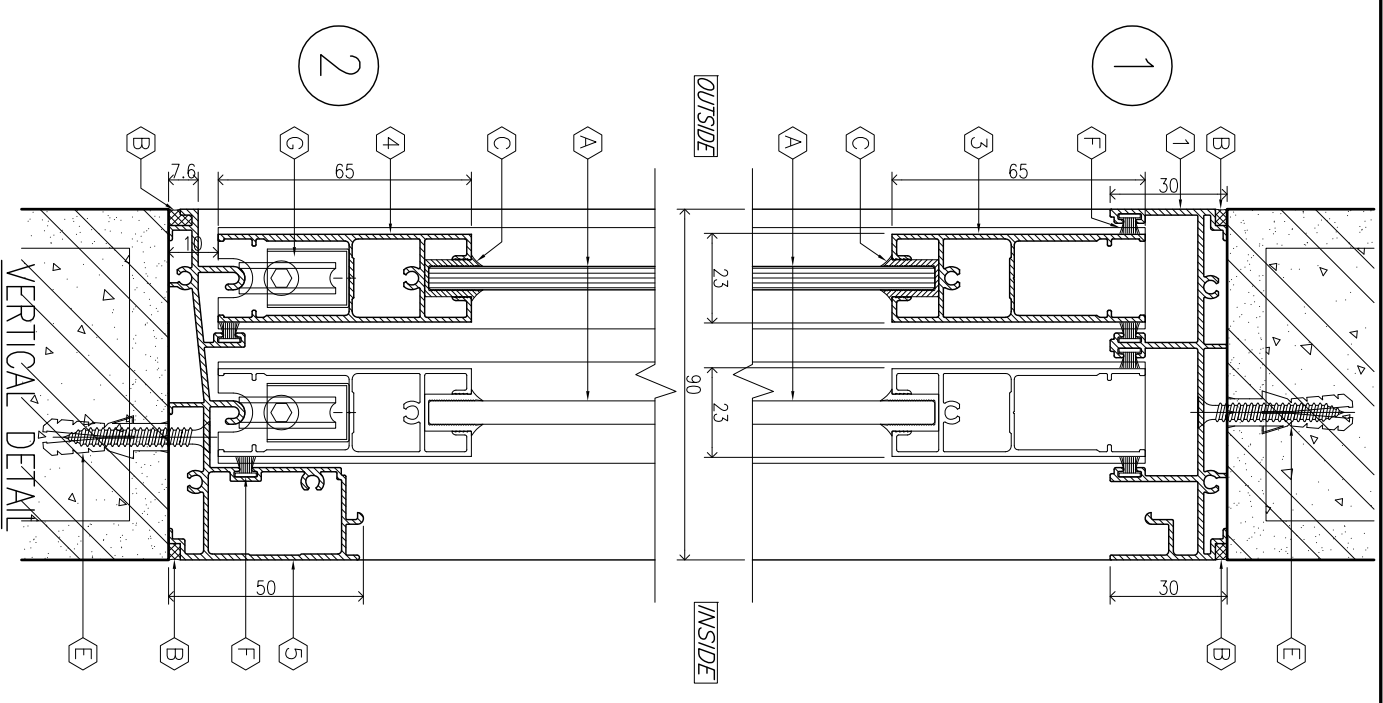
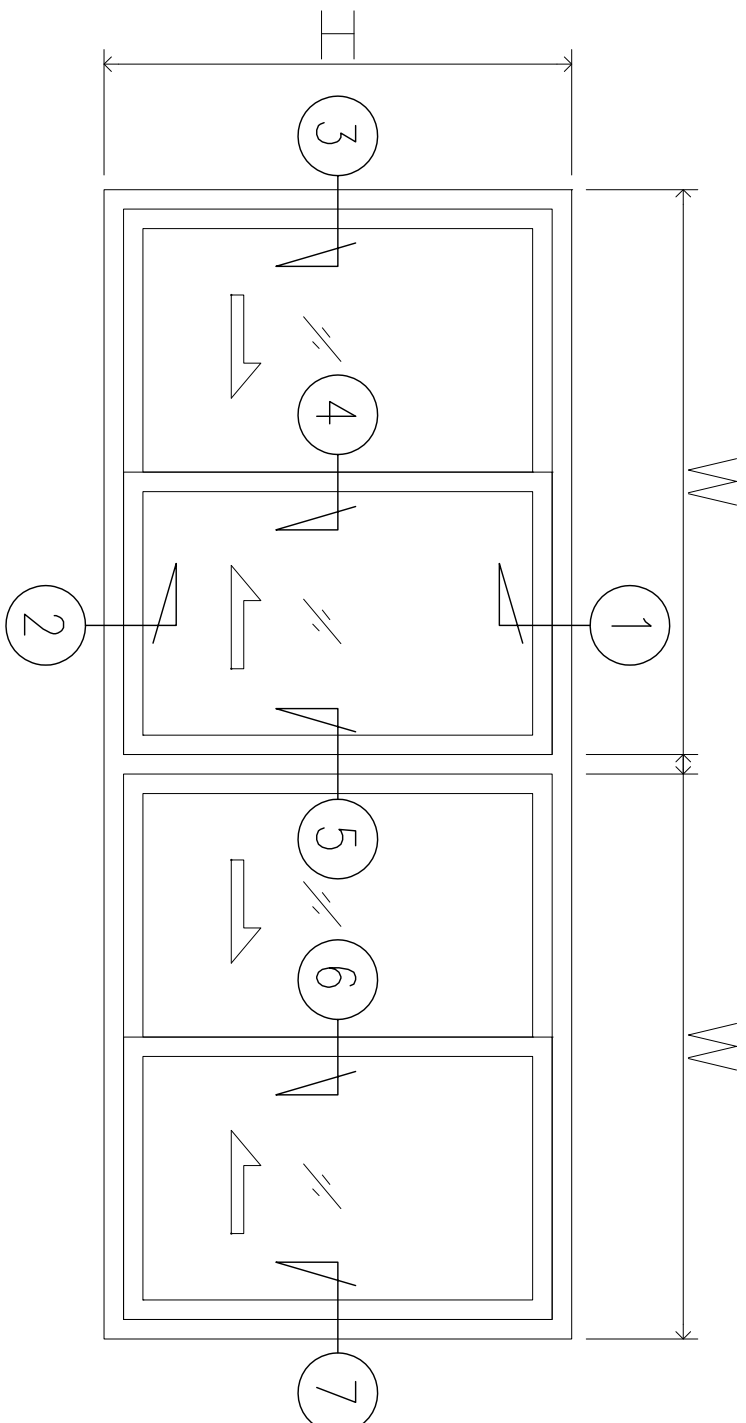


6-အိမ်ခြံမြေ ORM 90

SYMBOL	DESCRIPTION
1	ALUMINIUM EXTRUDED SECTION ALLOY 6063-T5
2	HEAD SECTION
3	TRANSOM SECTION
4	TOPRAIL SECTION
5	BOTTOMRAIL SECTION
6	SILL SECTION
7	LOCKER STILE SECTION
8	INNER LOCKER STILE SECTION
9	MULLION SECTION
10	JAMB SECTION
11	SASH SECTION
12	BEAD SECTION

SYMBOL	DESCRIPTION
A	ACCESSORIES DOOR & WINDOW
B	GLASS PANELS
C	SILICONE SEALANT
D	GLAZING GASKET
E	BUBBLE GASKET
F	SCREW & NYLON PLUG
G	WOOL PILE
H	ROLLER SLIDING
I	HANDLE LOCK
J	CAM LOCK
K	SETTING BLOCK



PROJECT : STANDARD PROJECT
 OWNER :
 LOCATION :
 ALUMINIUM CONTRACTOR :
ORM
 ALUMINIUM (THAILAND) CO., LTD.
 27/28 Moo 11, Bangna-Boonrat Road, Bangna District, Bangkok 10700, Thailand
 Tel. : 096-755-8863, 093-755-8864

DRAWING TITLE : DOOR & WINDOW TYPICAL STANDARD DETAIL

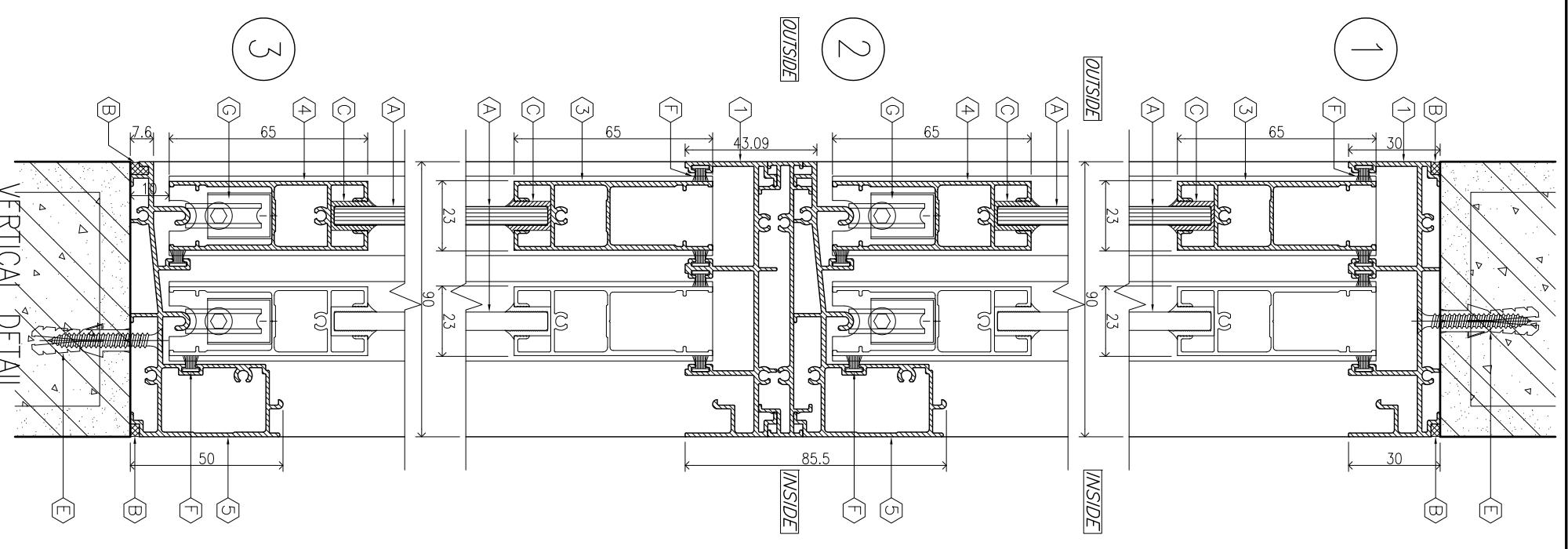
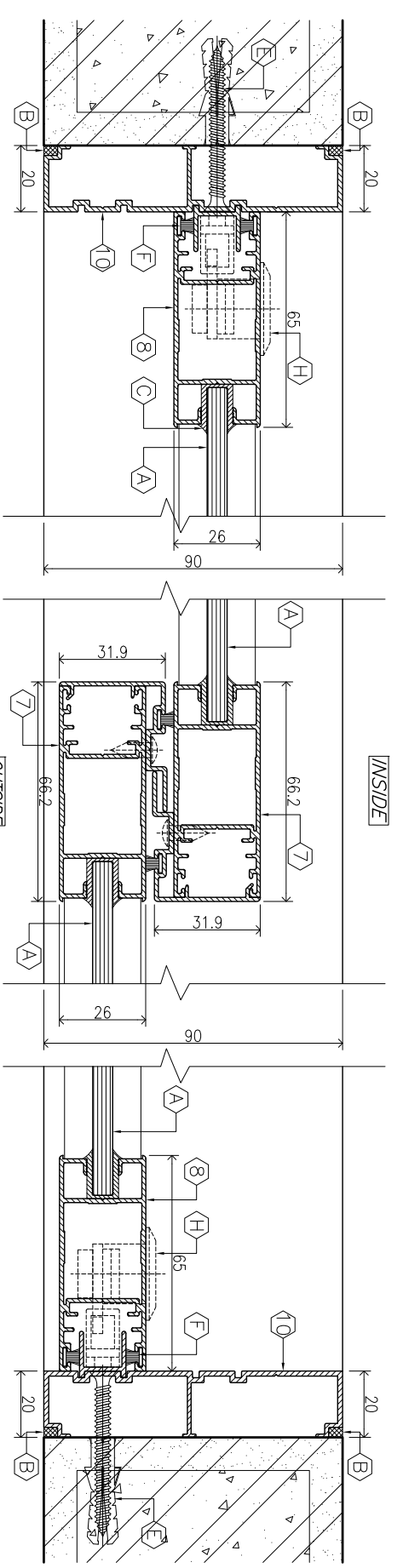
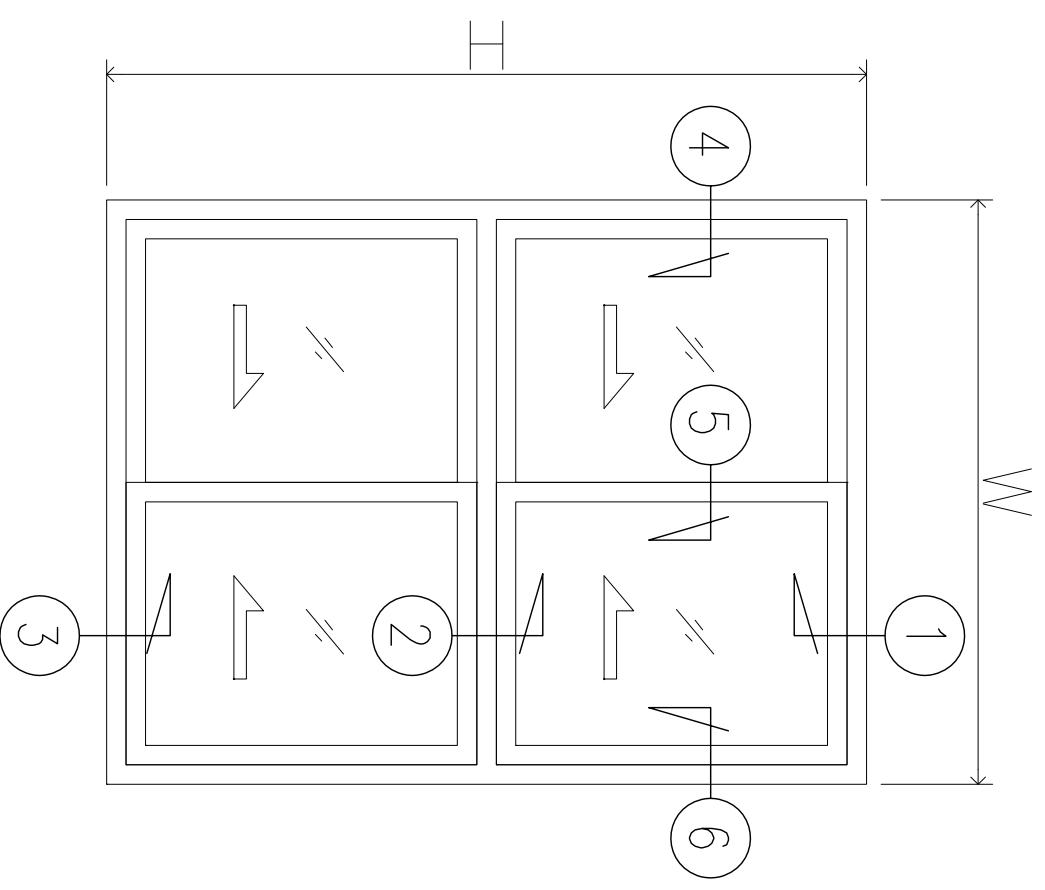
NO.	DATE	REVISION DESCRIPTION	APPROVED

DATE :
 DESIGN & DWN : MANIT SRISANGSUNG ML.4193
 CHKD. BY :
 SCALE : 1 : 2 (A3)

APPROVED BY :
 DRAWING NO. : SWA-01

SYMBOL	DESCRIPTION
①	ALUMINIUM EXTRUDED SECTION ALLOY 6063-T5
②	HEAD SECTION
③	TRANSOM SECTION
④	TOPRAIL SECTION
⑤	BOTTOMRAIL SECTION
⑥	SILL SECTION
⑦	LOCKER STILE SECTION
⑧	INNER LOCKER STILE SECTION
⑨	MULLION SECTION
⑩	JAMB SECTION
⑪	SASH SECTION
⑫	BEAD SECTION

SYMBOL	DESCRIPTION
A	ACCESSORIES DOOR & WINDOW
B	GLASS PANELS
C	SILICONE SEALANT
D	GLAZING GASKET
E	BUBBLE GASKET
F	SCREW & NYLON PLUG
G	WOOL PILE
H	ROLLER SLIDING
I	HANDLE LOCK
J	CAM LOCK
K	SETTING BLOCK



PROJECT : STANDARD PROJECT
 OWNER :
 LOCATION :
 ALUMINIUM CONTRACTOR :
ORM
 ALUMINIUM ORN (THAILAND) CO.,LTD.
 27/28 Moo 11, Rama 9th Rd,
 Bang Sue, Bangkok 10800,
 Thailand
 Tel. : 096-755-8363, 093-755-8364

DRAWING TITLE : DOOR & WINDOW TYPICAL STANDARD DETAIL

NO.	DATE	REVISION DESCRIPTION	APPROVED

DATE :
 DESIGN & DWN : MANIT SRISANGSUNG ML.4193
 CHKD. BY :
 SCALE : 1 : 2 (A3)

APPROVED BY :
 DRAWING NO. : SWA-02