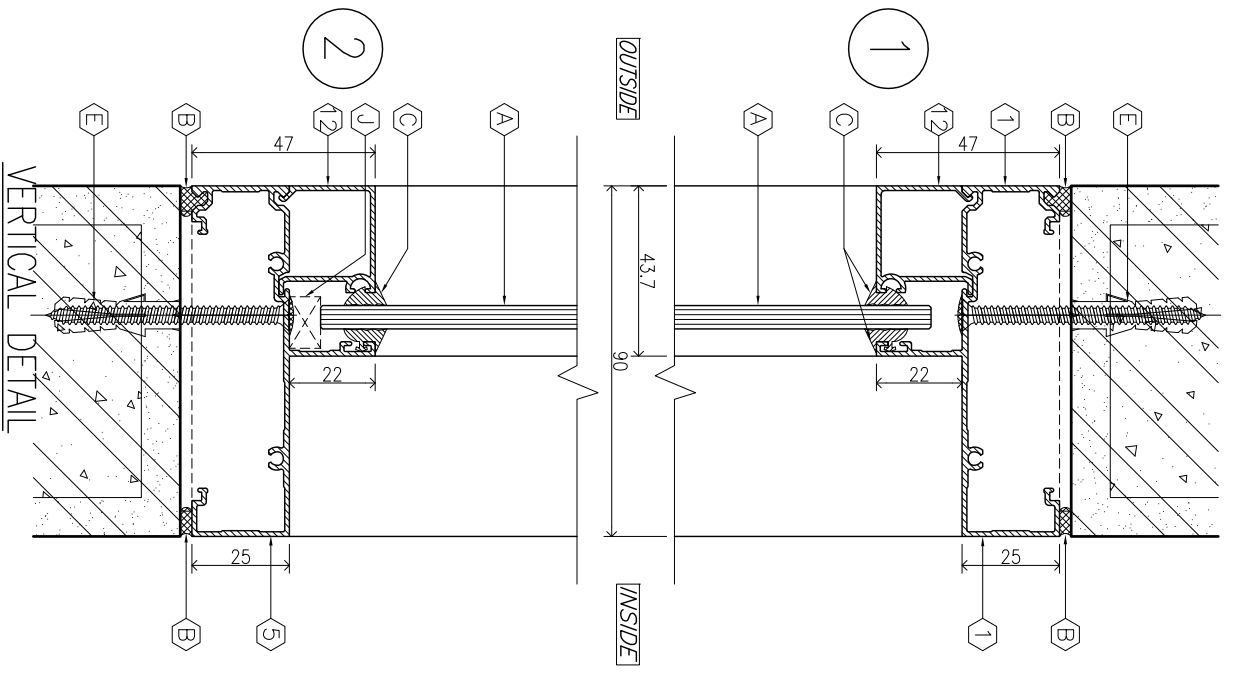
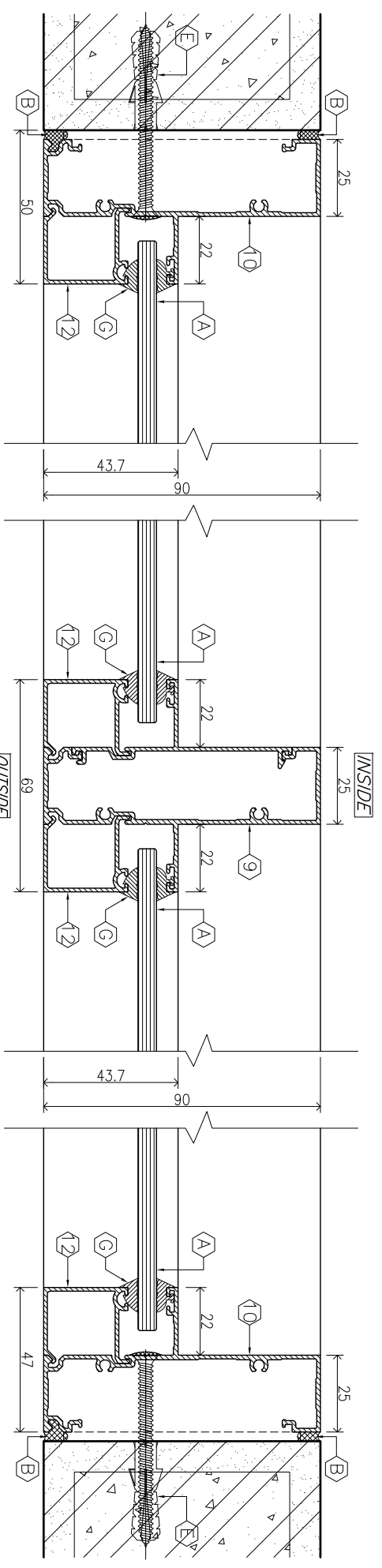
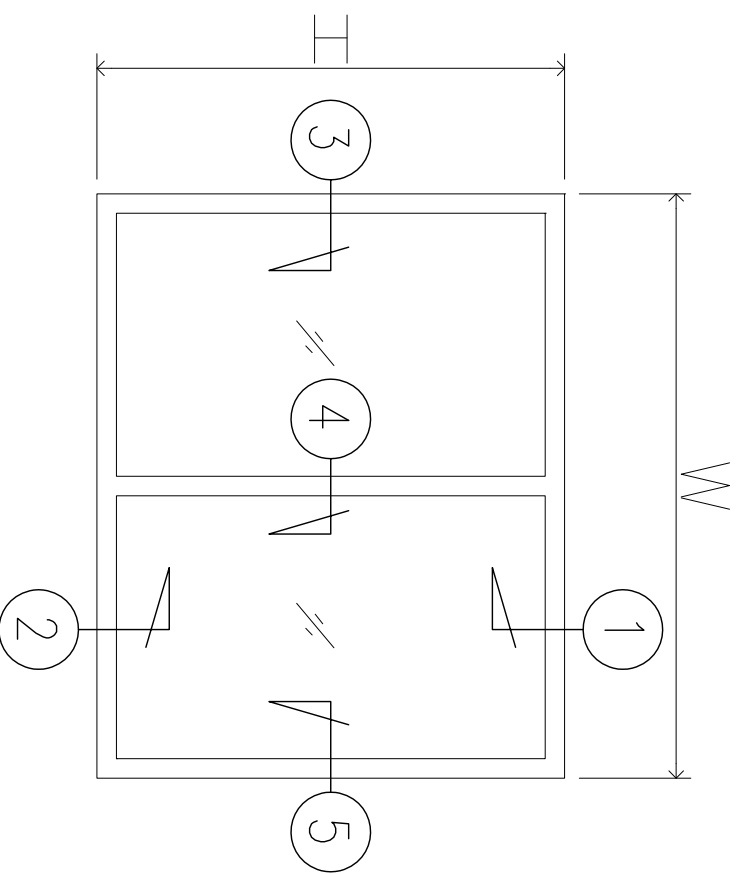
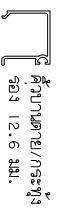
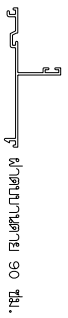
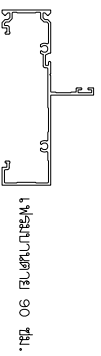


၆၆၆၆-၆၆၆၆-၆၆၆၆-၆၆၆၆-၆၆၆၆
၆၆

ALUMINIUM EXTRUDED SECTION
ALLOY 6063-T5

1	HEAD SECTION
2	TRANSOM SECTION
3	TOPRAIL SECTION
4	BOTTOMRAIL SECTION
5	SILL SECTION
6	LOCKER STILE SECTION
7	INNER LOCKER STILE SECTION
8	STILE SECTION
9	MULLION SECTION
10	JAMB SECTION
11	SASH SECTION
12	BEAD SECTION

ACCESSORIES DOOR & WINDOW	
A	GLASS PANELS
B	SILICONE SEALANT
C	GLAZING GASKET
D	BUBBLE GASKET
E	SCREW & NYLON PLUG
F	WOOL PILE
G	ROLLER SLIDING
H	HANDLE LOCK
I	CAM LOCK
J	SETTING BLOCK



PROJECT : **STANDARD PROJECT**
LOCATION :

OWNER :

ALUMINIUM CONTRACTOR :
ORM
ALUMINIUM CO. (THAILAND) CO., LTD.
27/28 Moo 11, Bangna-Boonrat Road,
Bang Na Suburb, Bangkok 10700, Thailand
Tel. : 096-765-8863, 097-765-8884

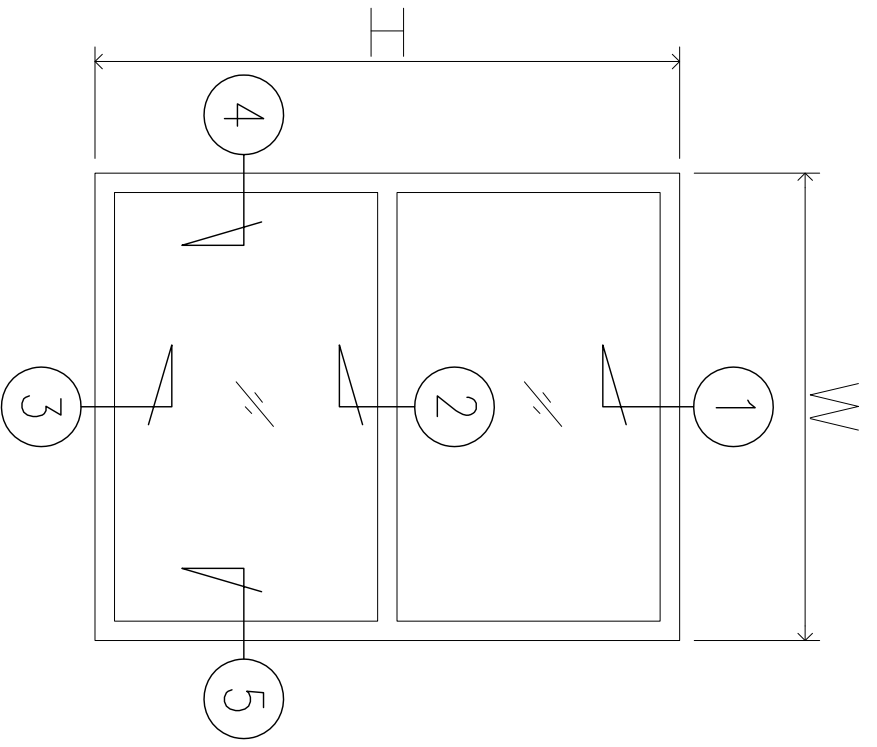
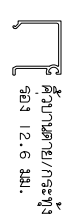
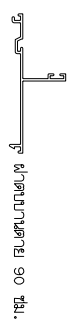
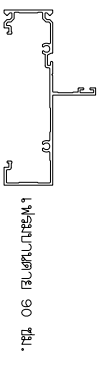
DRAWING TITLE
**DOOR & WINDOW
TYPICAL STANDARD DETAIL**

NO.	DATE	REVISION DESCRIPTION	APPROVED	DATE :
				DESIGN & DWN : MANIT SRISANGSUNG ML.4193

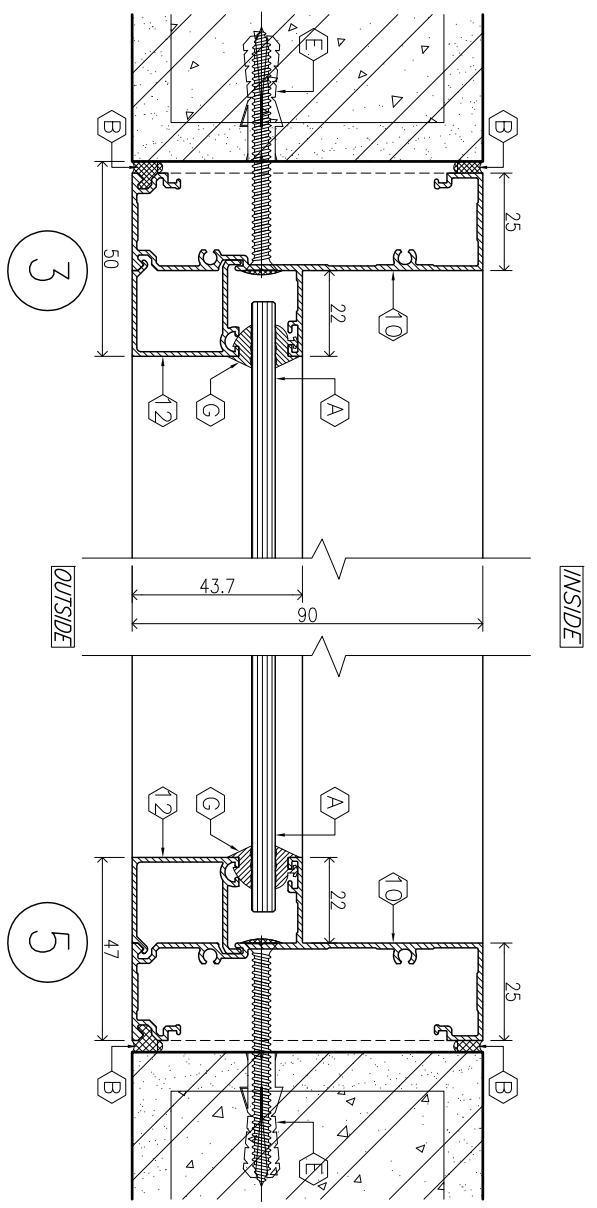
APPROVED BY
DRAWING NO. **FC-01**
SCALE : 1 : 2 (A3)

SYMBOL	ALUMINIUM EXTRUDED SECTION ALLOY 6063-T5
①	HEAD SECTION
②	TRANSOM SECTION
③	TOPRAIL SECTION
④	BOTTOMRAIL SECTION
⑤	SILL SECTION
⑥	LOCKER STILE SECTION
⑦	INNER LOCKER STILE SECTION
⑧	STILE SECTION
⑨	MULLION SECTION
⑩	JAMB SECTION
⑪	SASH SECTION
⑫	BEAD SECTION

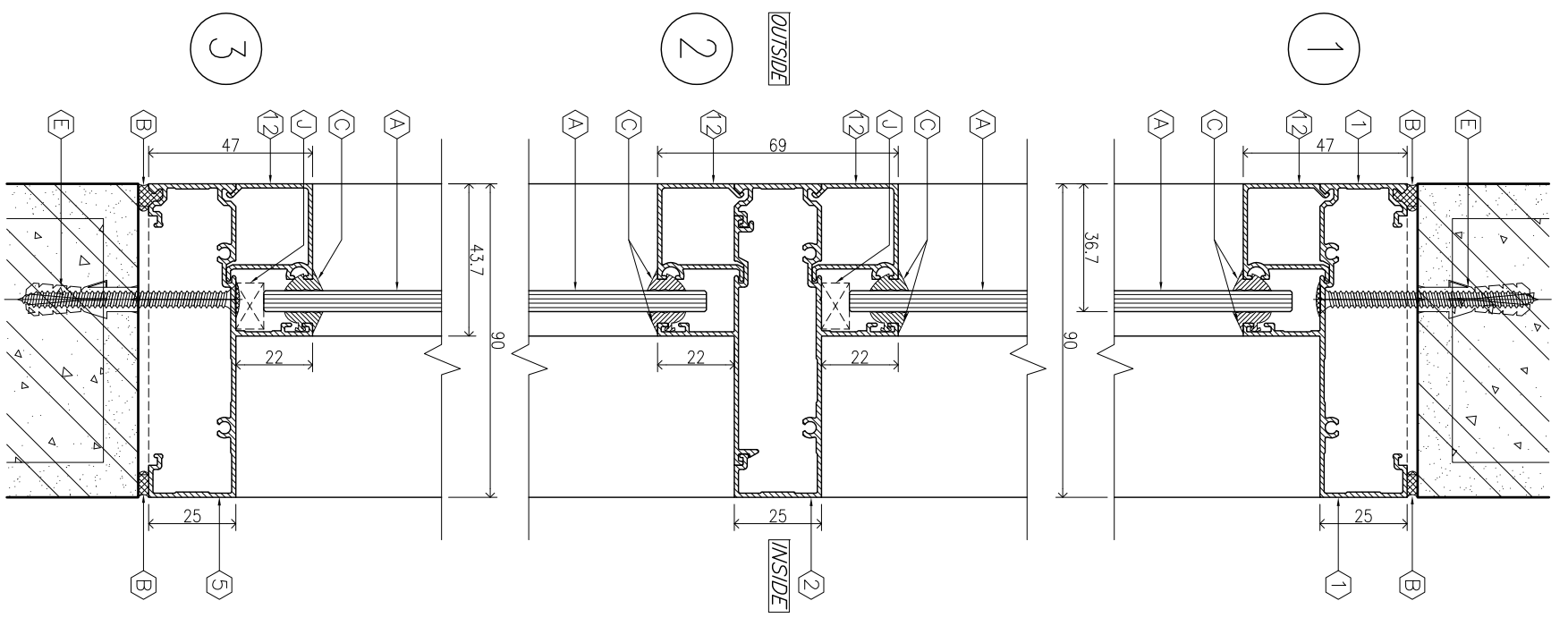
SYMBOL	ACCESSORIES DOOR & WINDOW
Ⓐ	GLASS PANELS
Ⓑ	SILICONE SEALANT
Ⓒ	GLAZING GASKET
Ⓓ	BUBBLE GASKET
Ⓔ	SCREW & NYLON PLUG
Ⓕ	WOOL PILE
Ⓖ	ROLLER SLIDING
Ⓗ	HANDLE LOCK
Ⓘ	CAM LOCK
Ⓝ	SETTING BLOCK



TYPICAL FIXED WINDOW ELEVATION



HORIZONTAL DETAIL



VERTICAL DETAIL

PROJECT :
STANDARD PROJECT
LOCATION :

OWNER :

ALUMINIUM CONTRACTOR :
ORM
ALUMINIUM ORN (THAILAND) CO.,LTD.
27/28 Moo 11, Rama 9 Road,
Bangkok 10310, Thailand
Tel. : 096-765-8363, 093-765-8364

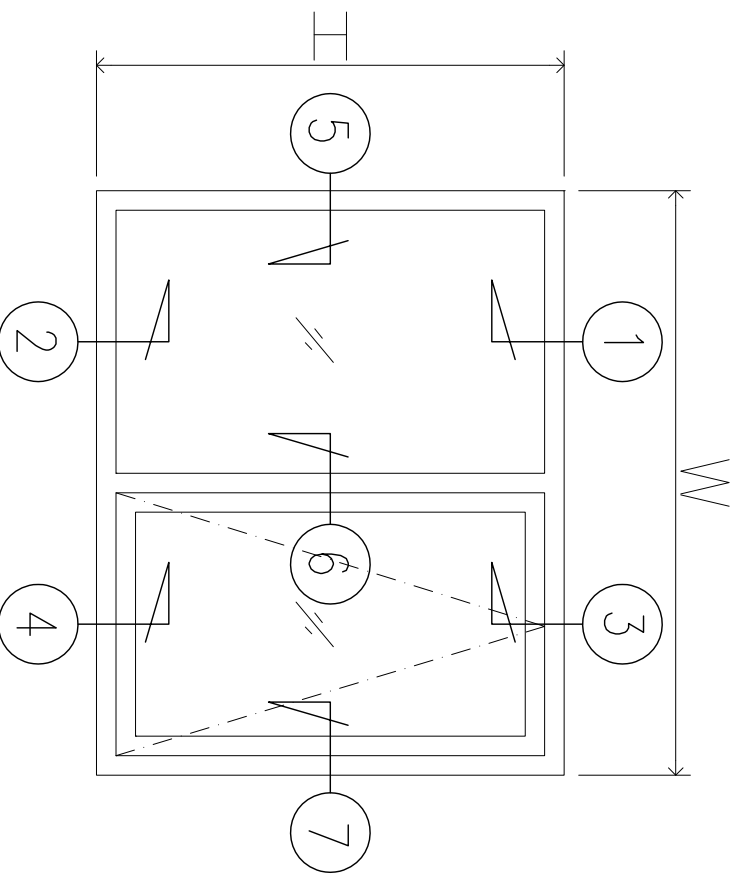
DRAWING TITLE
**DOOR & WINDOW
TYPICAL STANDARD DETAIL**

NO.	DATE	REVISION		APPROVED	DATE :
		DESCRIPTION	APPROVED		

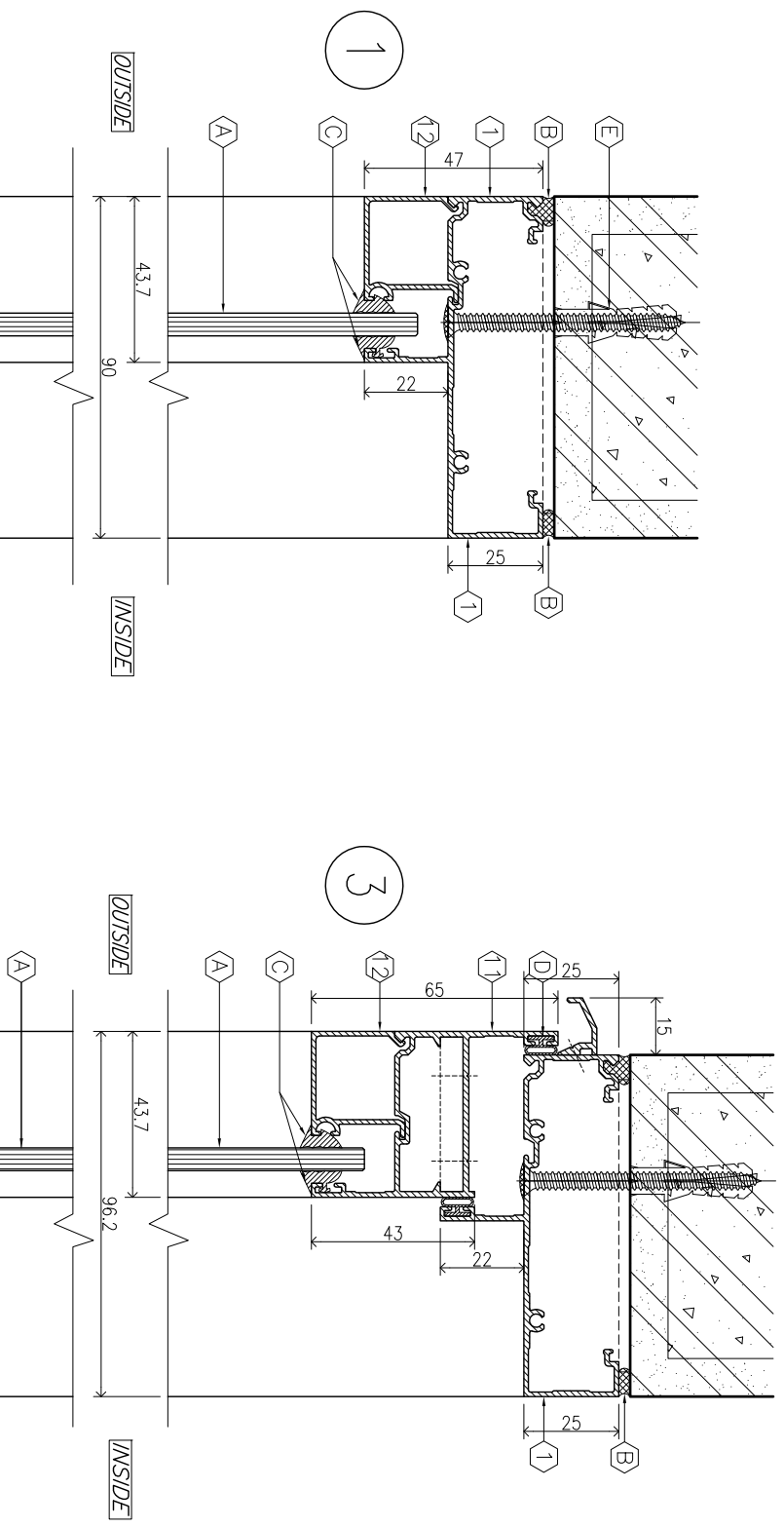
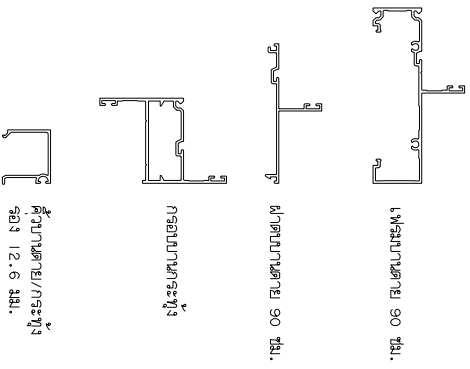
DESIGN & DWN : MANIT SRISANGSUNG ML.4193
CHKD. BY :
SCALE : 1 : 2 (A3)
APPROVED BY :
DRAWING NO. : **FC-02**

ALUMINIUM EXTRUDED SECTION ALLOY 6063-T5	
1	HEAD SECTION
2	TRANSOM SECTION
3	TOPRAIL SECTION
4	BOTTOMRAIL SECTION
5	SILL SECTION
6	LOCKER STILE SECTION
7	INNER LOCKER STILE SECTION
8	STILE SECTION
9	MULLION SECTION
10	JAMB SECTION
11	SASH SECTION
12	BEAD SECTION

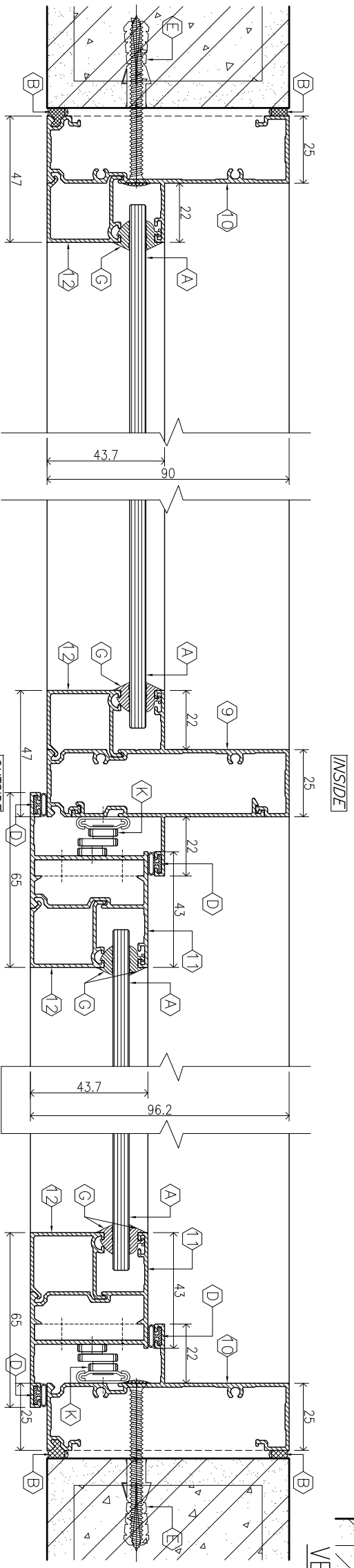
ACCESSORIES DOOR & WINDOW	
A	GLASS PANELS
B	SILICONE SEALANT
C	GLAZING GASKET
D	BUBBLE GASKET
E	SCREW & NYLON PLUG
F	WOOL PILE
G	ROLLER SLIDING
H	HANDLE LOCK
I	CAM LOCK
J	SETTING BLOCK



TYPICAL FIXED & CASEMENT WINDOW ELEVATION



VERTICAL DETAIL



HORIZONTAL DETAIL

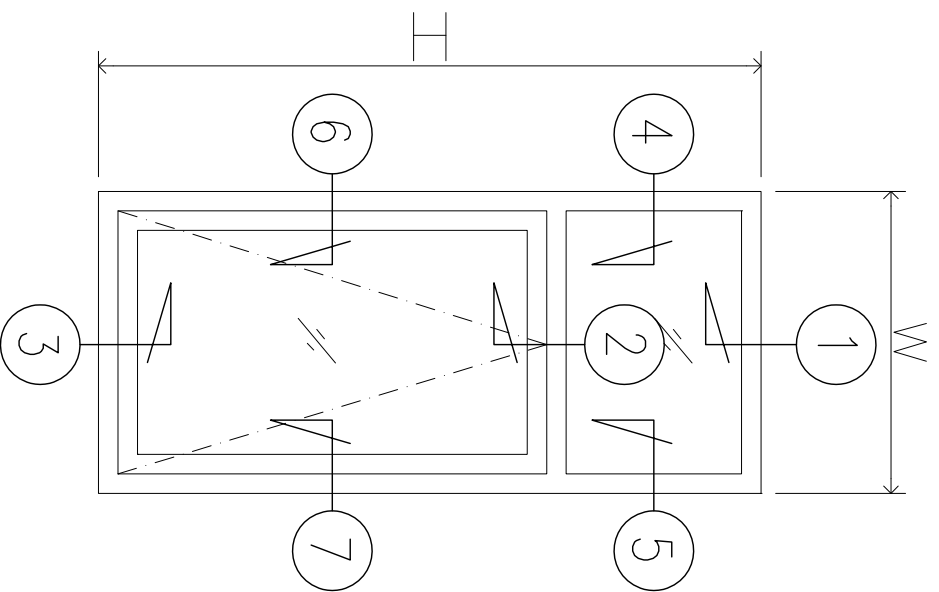
PROJECT : STANDARD PROJECT
 LOCATION :
 OWNER :
 ALUMINIUM CONTRACTOR :
ORM
 ALUMINIUM O&M (THAILAND) CO.,LTD.
 27/28 Moo 11, Rama 9 Road, Bang Sue, Bangkok 10800, Thailand
 Tel. : 09-765-8861, 097-765-8864

DRAWING TITLE : DOOR & WINDOW TYPICAL STANDARD DETAIL

NO.	DATE	REVISION DESCRIPTION	APPROVED

DATE :
 DESIGN & DIMN : MANIT SRISANGSUNG ML.4193
 CHKD. BY :
 SCALE : 1 : 2 (A3)

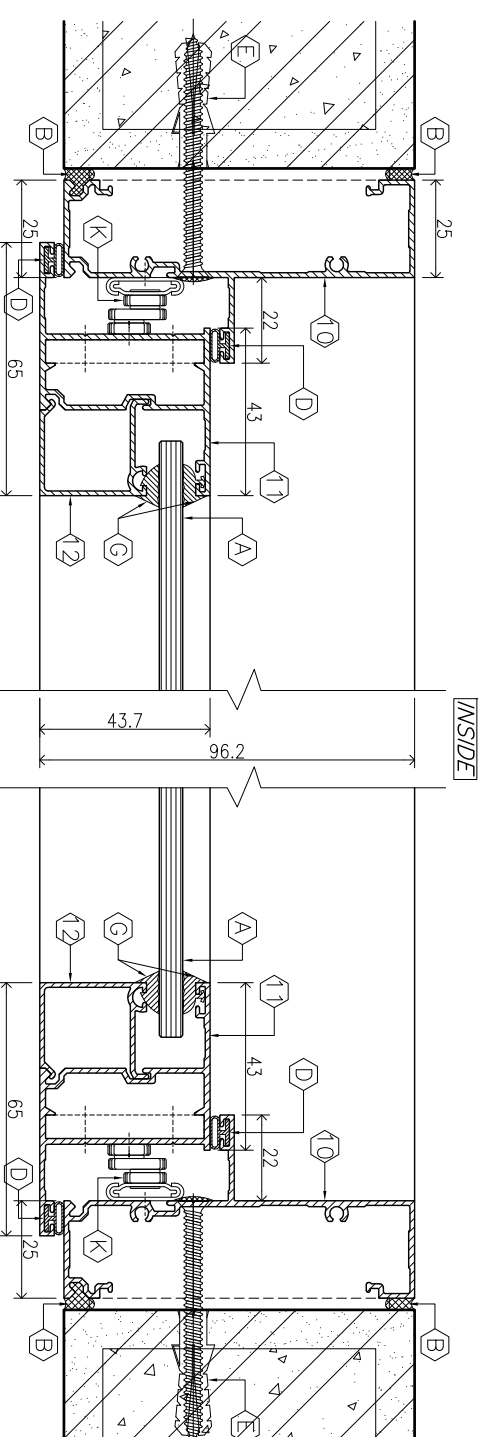
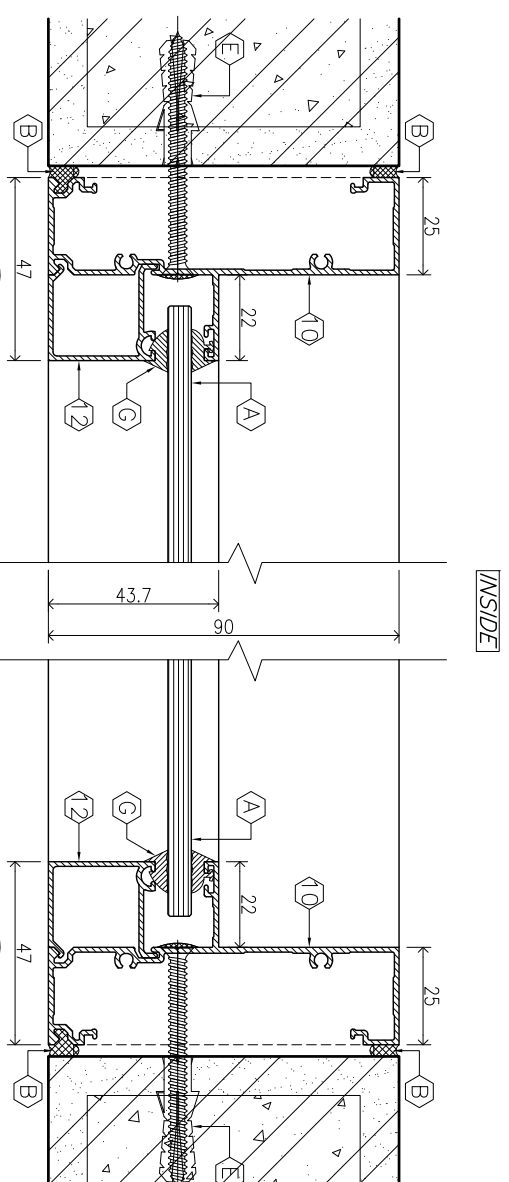
APPROVED BY :
FC-03
 DRAWING NO.



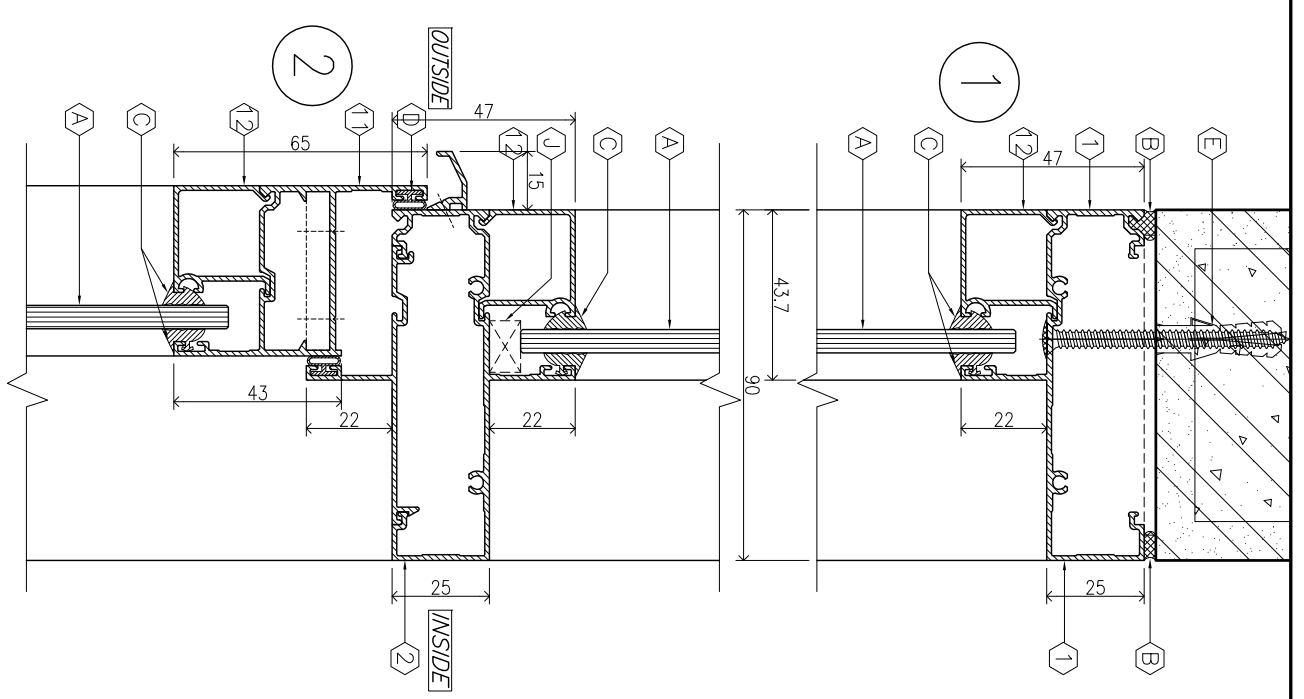
TYPICAL FIXED & CASEMENT WINDOW ELEVATION

SYMBOL	ALUMINIUM EXTRUDED SECTION ALLOY 6063-T5
①	HEAD SECTION
②	TRANSOM SECTION
③	TOPRAIL SECTION
④	BOTTOMRAIL SECTION
⑤	SILL SECTION
⑥	LOCKER STILE SECTION
⑦	INTER LOCKER STILE SECTION
⑧	STILE SECTION
⑨	MULLION SECTION
⑩	JAMB SECTION
⑪	SASH SECTION
⑫	BEAD SECTION

SYMBOL	ACCESSORIES DOOR & WINDOW
A	GLASS PANELS
B	SILICONE SEALANT
C	GLAZING GASKET
D	BUBBLE GASKET
E	SCREW & NYLON PLUG
F	WOOL PILE
G	ROLLER SLIDING
H	HANDLE LOCK
I	CAM LOCK
J	SETTING BLOCK

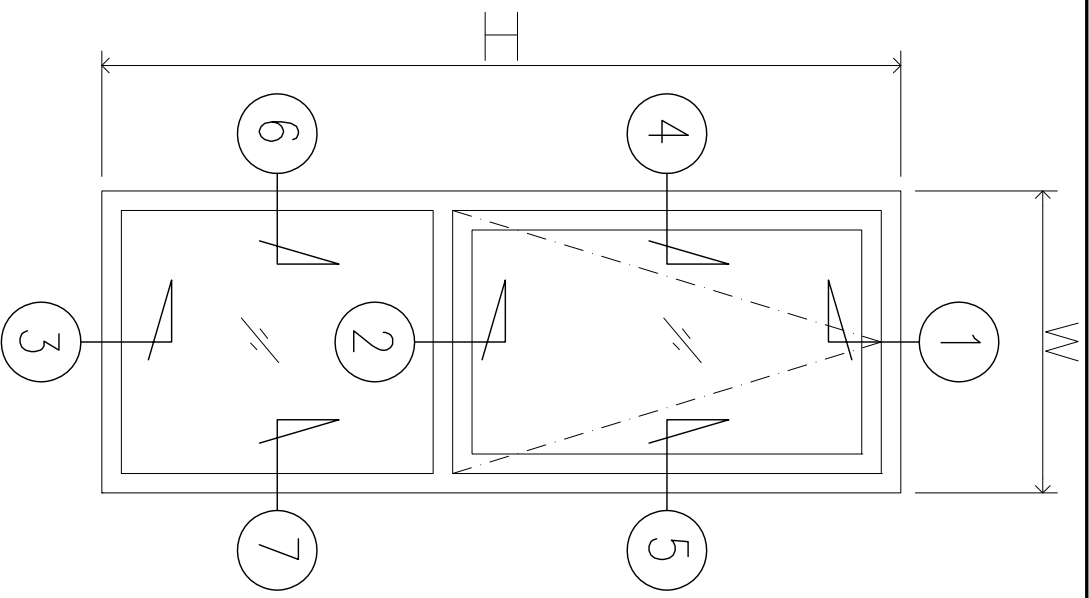


HORIZONTAL DETAIL



VERTICAL DETAIL

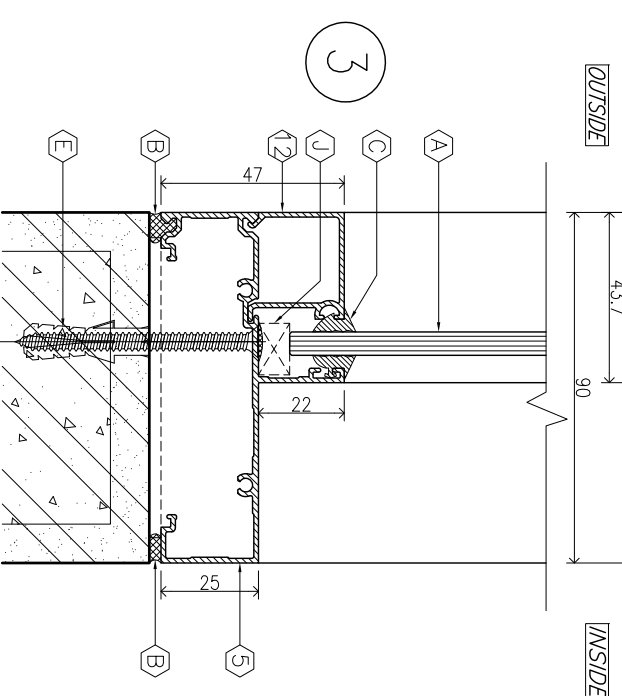
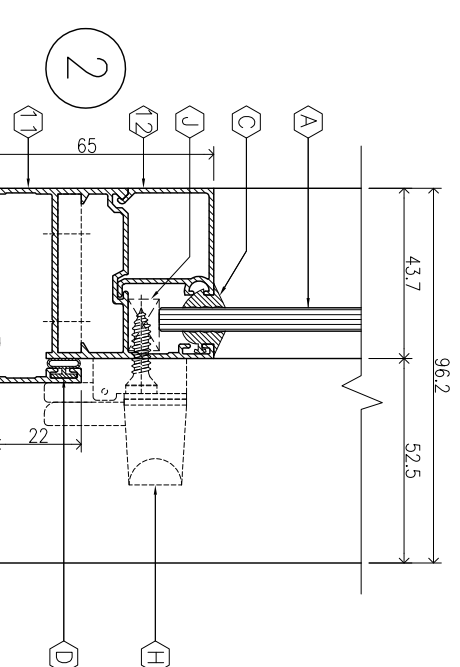
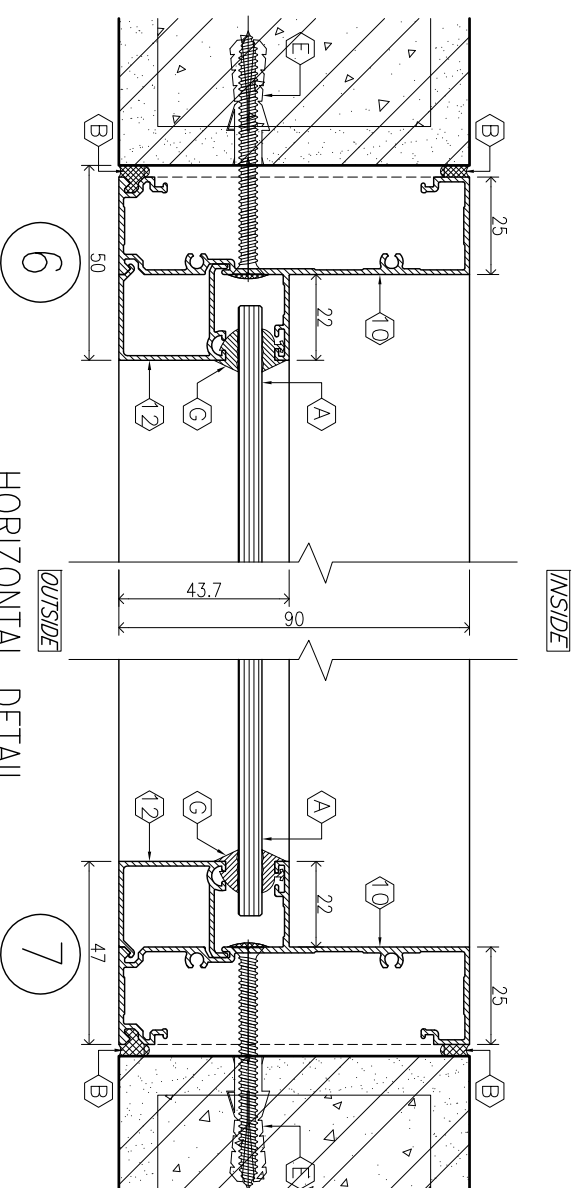
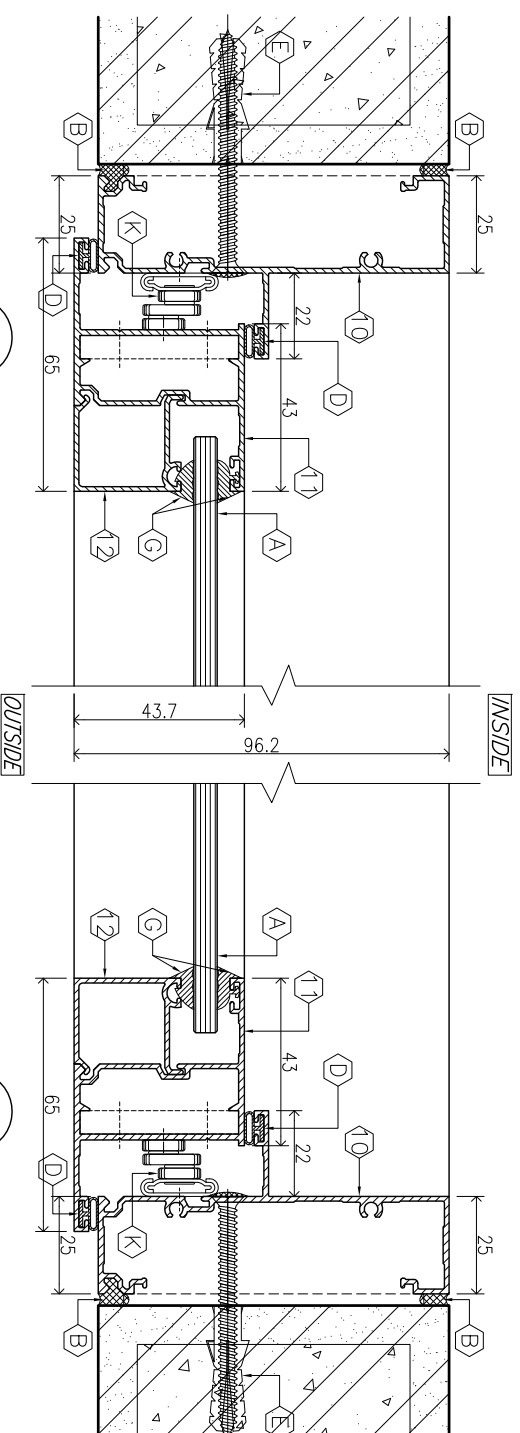
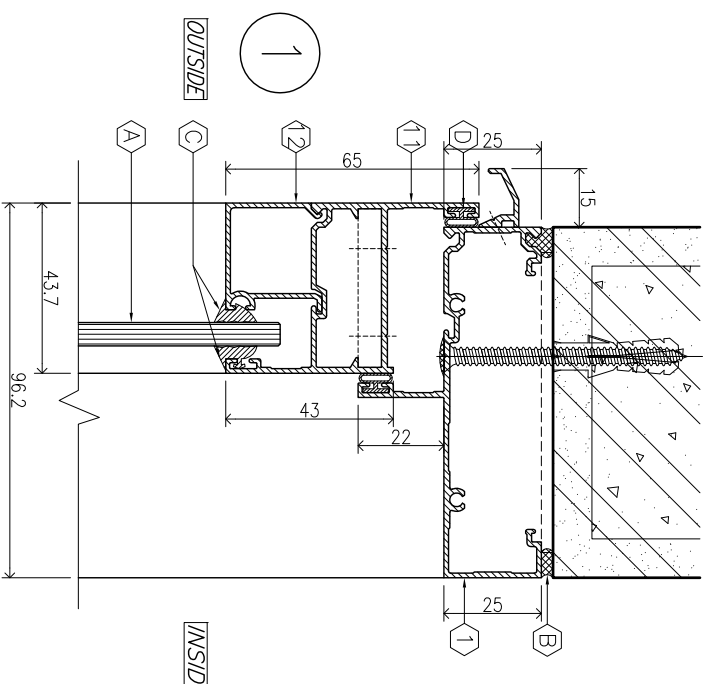
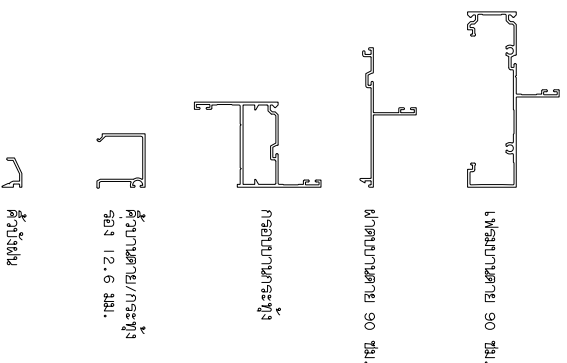
PROJECT : STANDARD PROJECT LOCATION :	OWNER : LOCATION :	ALUMINIUM CONTRACTOR : <div style="text-align: center;"> ORM <small>ALUMINIUM (THAILAND) CO., LTD.</small> <small>27/28 Moo 11, Bangna-Boonrat Road, Bangna District, Bangkok 10700, Thailand</small> <small>Tel. : 096-755-8863, 093-755-8864</small> </div>
DRAWING TITLE		
DOOR & WINDOW TYPICAL STANDARD DETAIL		
NO.	DATE	REVISION
		DESCRIPTION
		APPROVED
		DATE :
		DESIGN & DWN : MANIT SRSANGSUNG ML.4193
		CHKD. BY :
		SCALE : 1 : 2 (A3)
		APPROVED BY
		DRAWING NO. FC-04



TYPICAL FIXED & CASEMENT WINDOW ELEVATION

SYMBOL	ALUMINIUM EXTRUDED SECTION ALLOY 6063-T5
①	HEAD SECTION
②	TRANSOM SECTION
③	TOPRAIL SECTION
④	BOTTOMRAIL SECTION
⑤	SILL SECTION
⑥	LOCKER STILE SECTION
⑦	INNER LOCKER STILE SECTION
⑧	STILE SECTION
⑨	MULLION SECTION
⑩	JAMB SECTION
⑪	SASH SECTION
⑫	BEAD SECTION

SYMBOL	ACCESSORIES DOOR & WINDOW
Ⓐ	GLASS PANELS
Ⓑ	SILICONE SEALANT
Ⓒ	GLAZING GASKET
Ⓓ	BUBBLE GASKET
Ⓔ	SCREW & NYLON PLUG
Ⓕ	WOOL PILE
Ⓖ	ROLLER SLIDING
Ⓗ	HANDLE LOCK
Ⓘ	CAM LOCK
Ⓚ	SETTING BLOCK



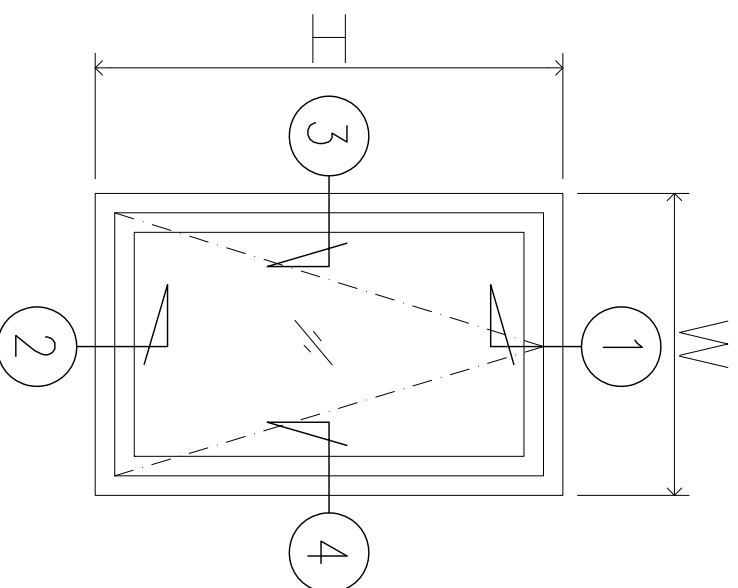
VERTICAL DETAIL

HORIZONTAL DETAIL

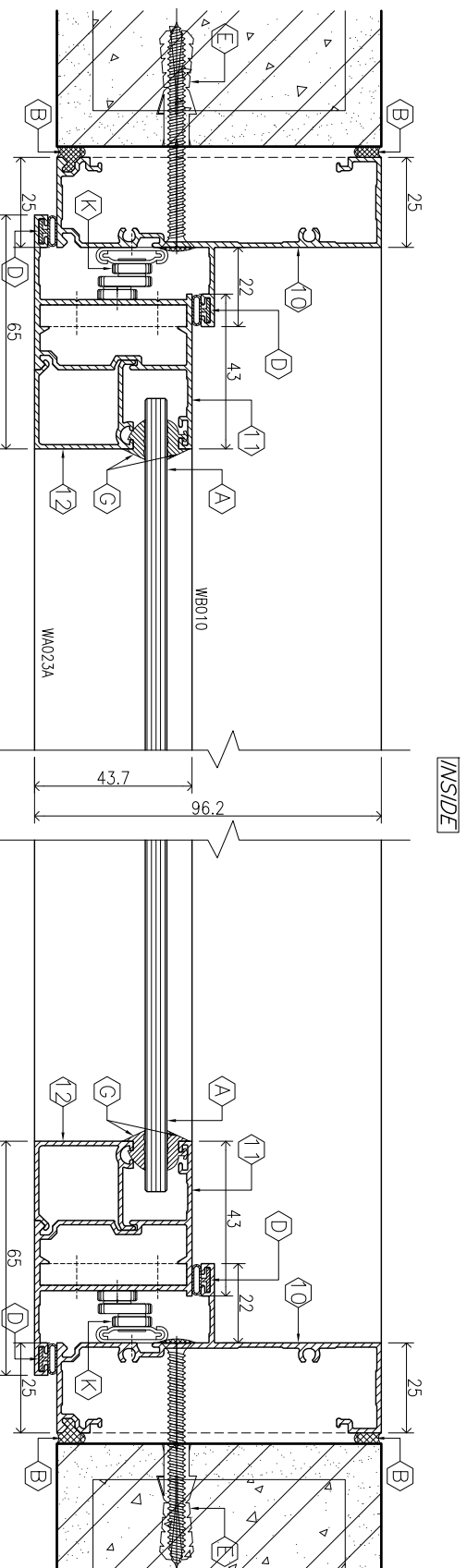
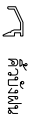
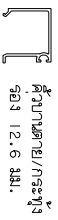
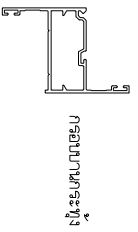
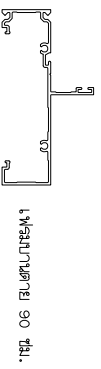
PROJECT : STANDARD PROJECT	OWNER :	ALUMINIUM CONTRACTOR :	DRAWING TITLE
LOCATION :	LOCATION :	ORM ALUMINIUM CO., LTD. 27/28 Moo 11, Rama 9 Rd. Bangkok 10310, Thailand Tel. : 09-755-883, 097-755-8884	DOOR & WINDOW TYPICAL STANDARD DETAIL
		REVISION	APPROVED BY
		NO.	DATE
		DESCRIPTION	APPROVED
		DATE :	DESIGN & DWN : MANIT SRISANGSUNG TEL. 4193
		CHKD. BY :	SCALE : 1 : 2 (A3)
			DRAWING NO. FC-05

SYMBOL	DESCRIPTION
①	ALUMINIUM EXTRUDED SECTION ALLOY 6063-T5
②	HEAD SECTION
③	TRANSOM SECTION
④	TOPRAIL SECTION
⑤	BOTTOMRAIL SECTION
⑥	SILL SECTION
⑦	LOCKER STILE SECTION
⑧	INNER LOCKER STILE SECTION
⑨	MULLION SECTION
⑩	JAMB SECTION
⑪	SASH SECTION
⑫	BEAD SECTION

SYMBOL	DESCRIPTION
A	ACCESSORIES DOOR & WINDOW
B	GLASS PANELS
C	SILICONE SEALANT
D	GLAZING GASKET
E	BUBBLE GASKET
F	SCREW & NYLON PLUG
G	WOOL PILE
H	ROLLER SLIDING
I	HANDLE LOCK
J	CAM LOCK
K	SETTING BLOCK



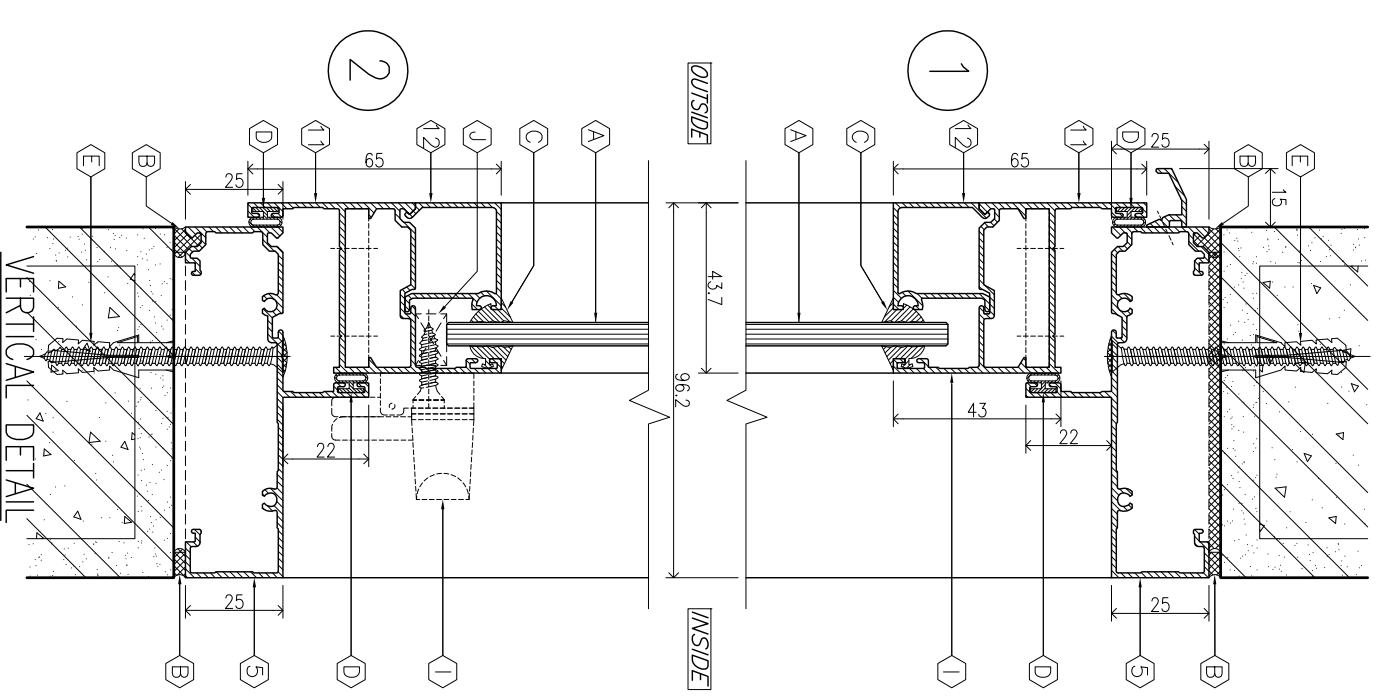
TYPICAL CASEMENT WINDOW ELEVATION



3

HORIZONTAL DETAIL

4



2

VERTICAL DETAIL

PROJECT :
STANDARD PROJECT
LOCATION :

OWNER :
LOCATION :

ALUMINIUM CONTRACTOR :
ORM
ALUMINIUM CO., LTD.
27/28 Moo 11, Bangna-Boonrat Road
Bangna Suburb, Bangkok 10700
Tel. : 096-765-8363, 097-765-8364

DRAWING TITLE
**DOOR & WINDOW
TYPICAL STANDARD DETAIL**

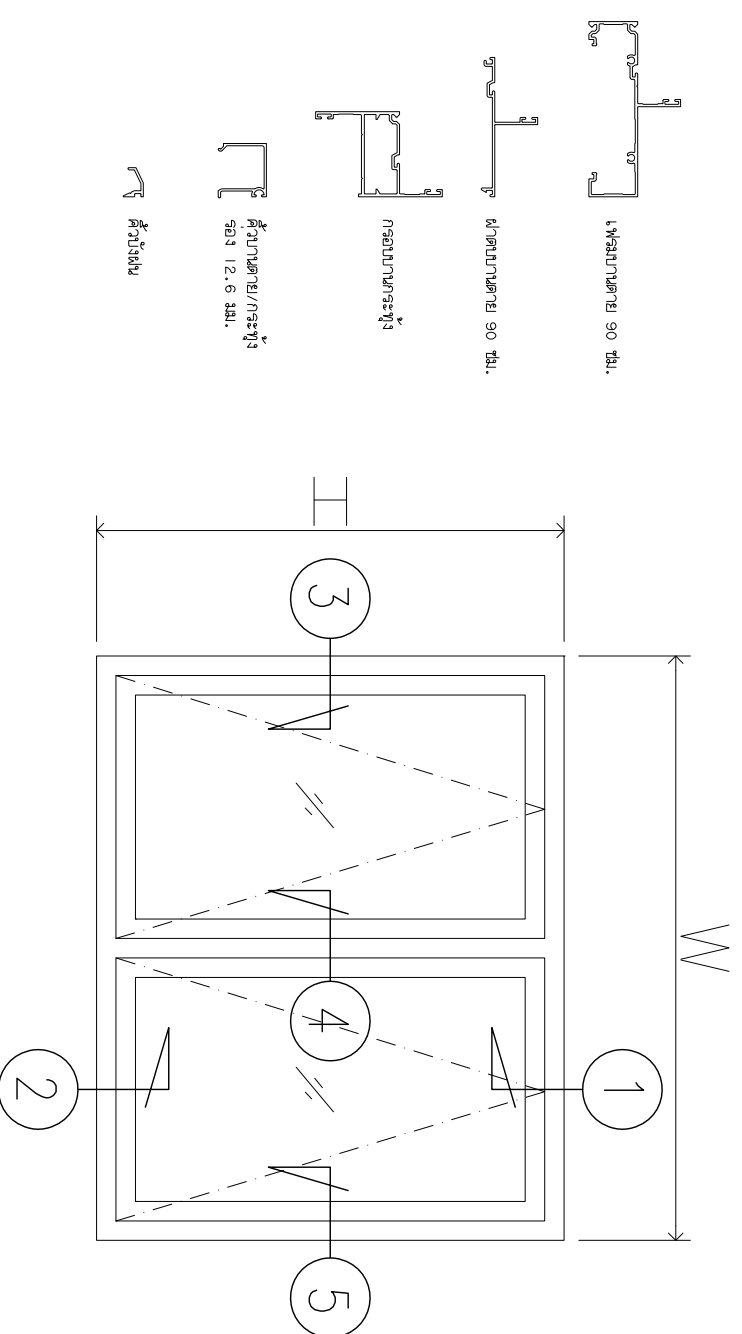
NO.	DATE	REVISION DESCRIPTION	APPROVED

DATE :
DESIGN & DWN : MANIT SRISANGSUNG
CHKD. BY :
SCALE : 1 : 2 (A3)
DRAWING NO. : **FC-06**

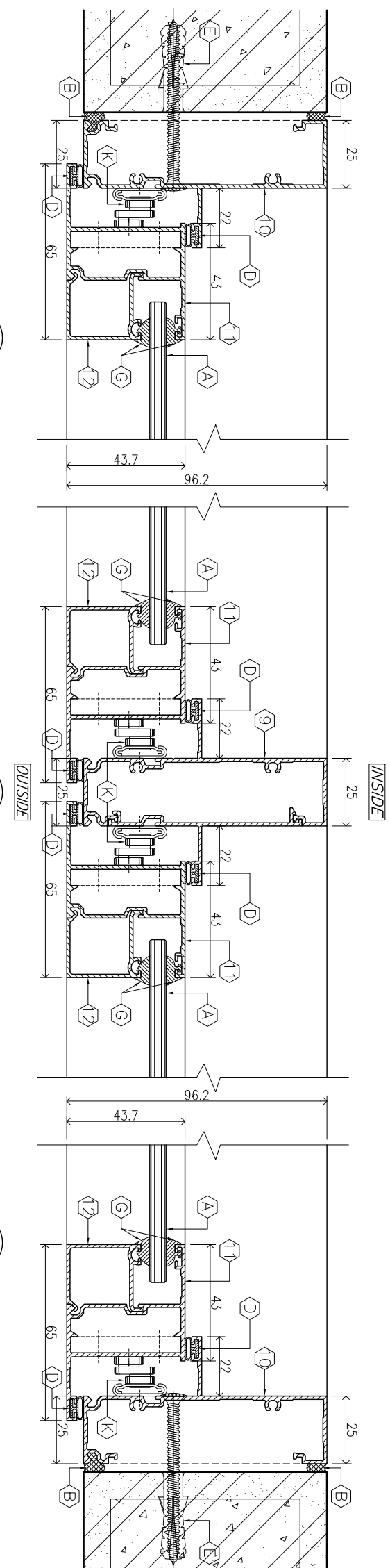
APPROVED BY

ALUMINIUM EXTRUDED SECTION ALLOY 6063-T5	
①	HEAD SECTION
②	TRANSOM SECTION
③	TOPRAIL SECTION
④	BOTTOMRAIL SECTION
⑤	SILL SECTION
⑥	LOCKER STILE SECTION
⑦	INNER LOCKER STILE SECTION
⑧	STILE SECTION
⑨	MULLION SECTION
⑩	JAMB SECTION
⑪	SASH SECTION
⑫	BEAD SECTION

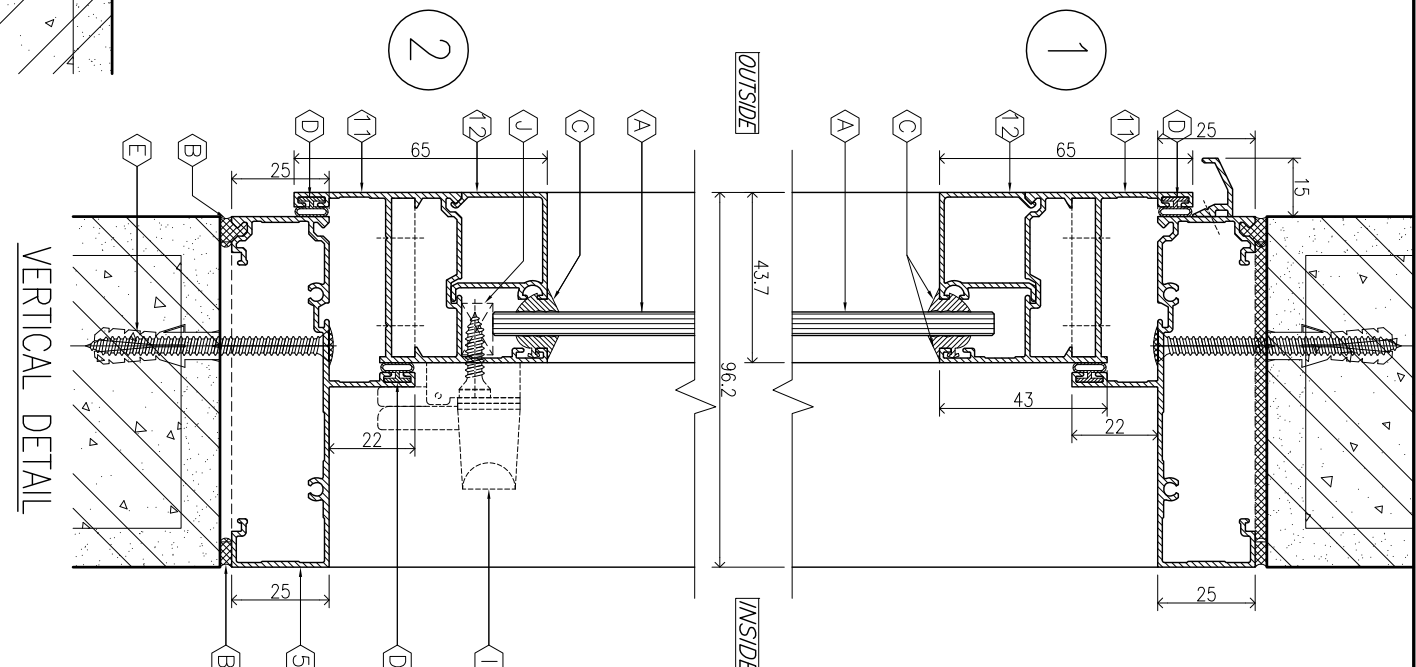
ACCESSORIES DOOR & WINDOW	
A	GLASS PANELS
B	SILICONE SEALANT
C	GLAZING GASKET
D	BUBBLE GASKET
E	SCREW & NYLON PLUG
F	WOOL PILE
G	ROLLER SLIDING
H	HANDLE LOCK
I	CAM LOCK
J	SETTING BLOCK



TYPICAL CASEMENT WINDOW ELEVATION



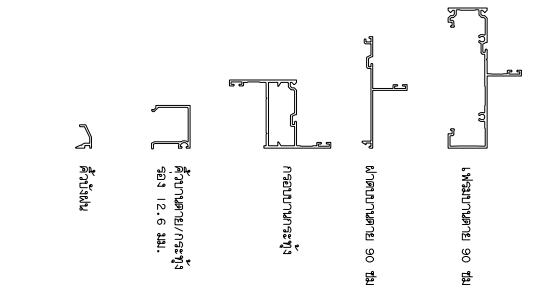
HORIZONTAL DETAIL



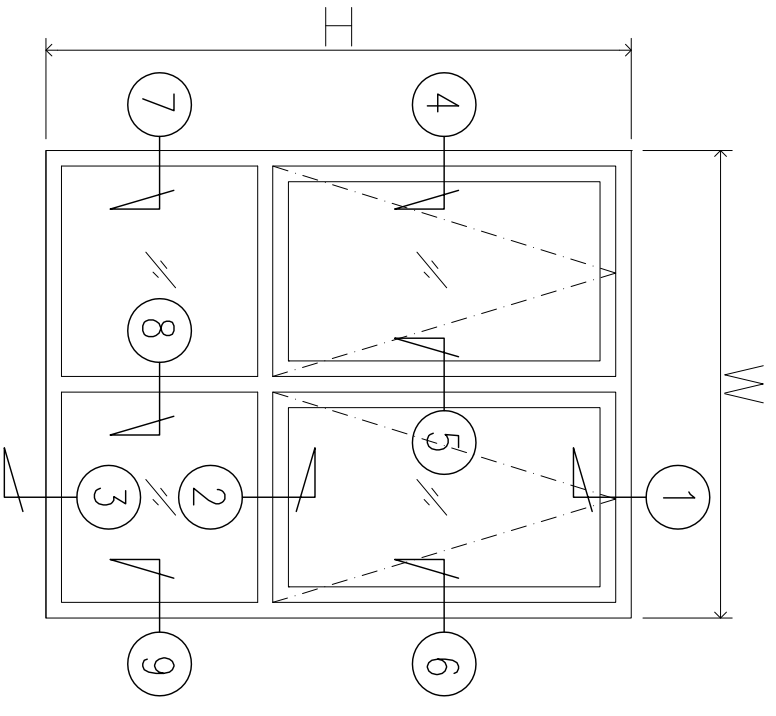
VERTICAL DETAIL

PROJECT : STANDARD PROJECT			OWNER :			ALUMINIUM CONTRACTOR :			DRAWING TITLE		
LOCATION :			LOCATION :						DOOR & WINDOW		
LOCATION :			LOCATION :						TYPICAL STANDARD DETAIL		
NO.				DATE				REVISION			
DATE :			DESIGN & DWN : MANIT SRISANGSUNG			APPROVED :			APPROVED BY :		
SCALE :			CHKD. BY :			DRAWING NO. : FC-07					
1 : 2 (A3)											

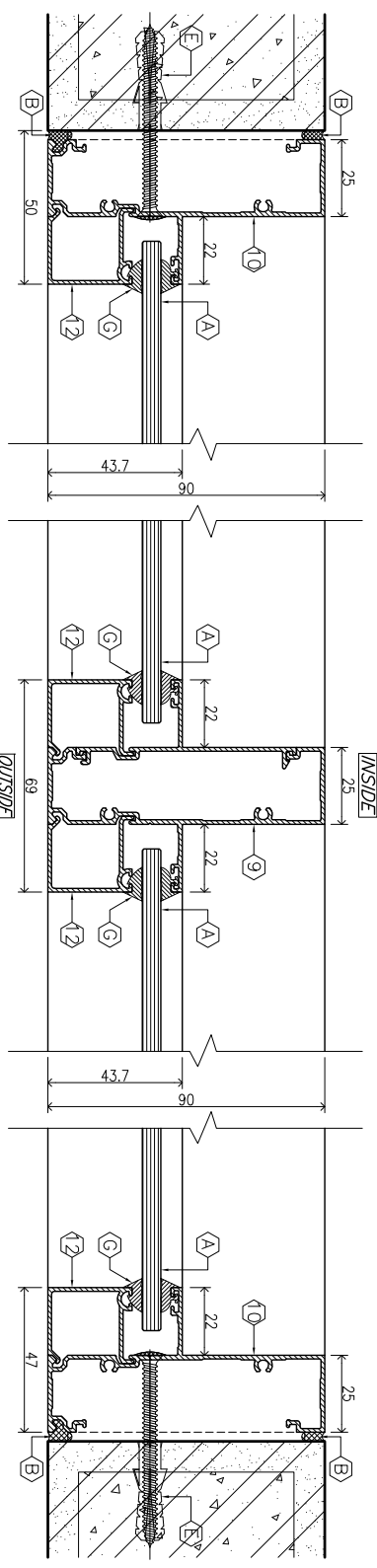
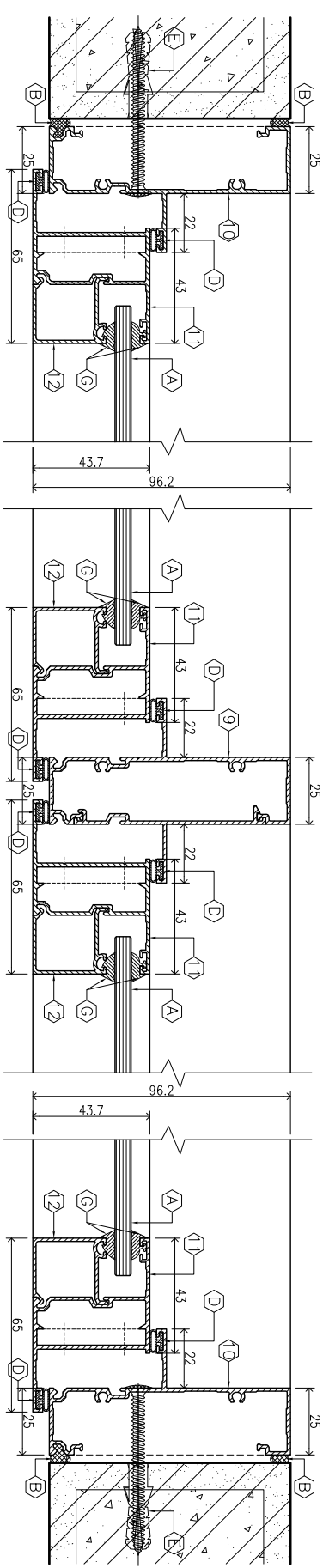
ALUMINIUM EXTRUDED SECTION
ALLOY 6063-T5
1 HEAD SECTION
2 TRANSOM SECTION
3 TOPRAIL SECTION
4 BOTTOMRAIL SECTION
5 SILL SECTION
6 LOCKER STILE SECTION
7 INTER LOCKER STILE SECTION
8 STILE SECTION
9 MULLION SECTION
10 JAMB SECTION
11 SASH SECTION
12 BEAD SECTION



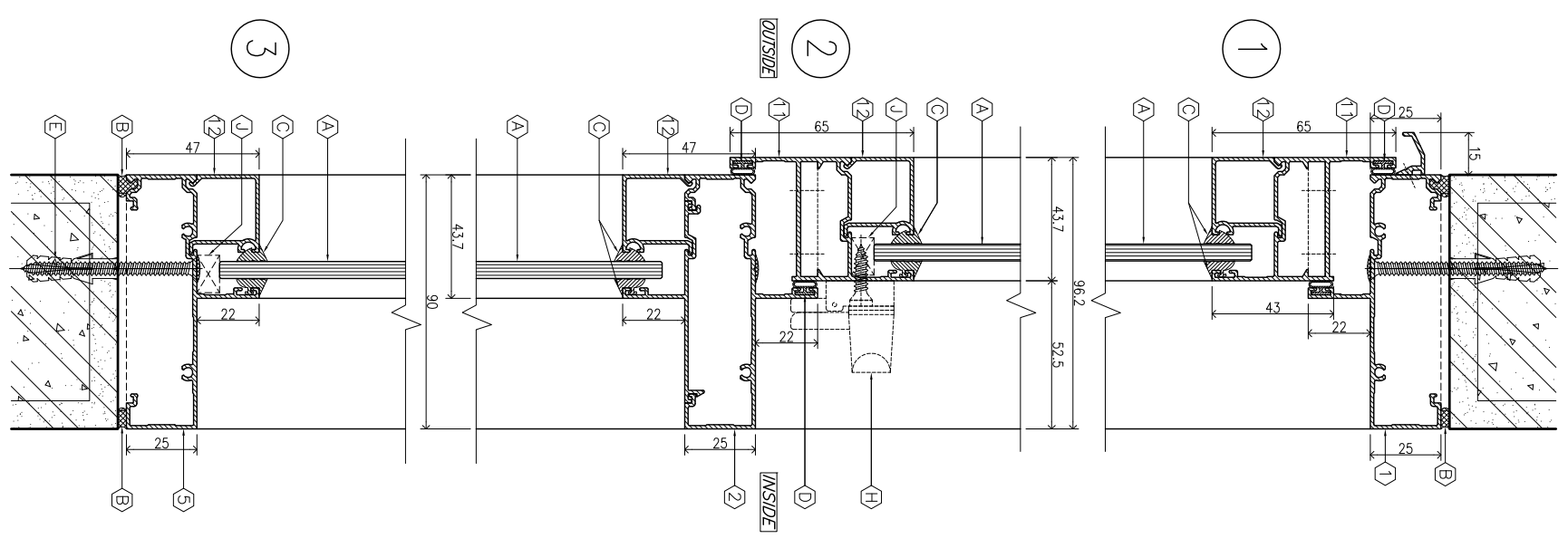
ACCESSORIES	
SYMBOL	DOOR & WINDOW
A	GLASS PANELS
B	SILICONE SEALANT
C	GLAZING GASKET
D	BUBBLE GASKET
E	SCREW & NYLON PLUG
F	WOOL PILE
G	ROLLER SLIDING
H	HANDLE LOCK
I	CAM LOCK
J	SETTING BLOCK



TYPICAL CASEMENT WINDOW ELEVATION



HORIZONTAL DETAIL



VERTICAL DETAIL

PROJECT : **STANDARD PROJECT**
 LOCATION :

OWNER :
 LOCATION :

ALUMINIUM CONTRACTOR :
ORM
 ALUMINIUM CO., (THAILAND) CO., LTD.
 27/28 Moo 11, Bangna-Boengye
 Bangna Suburb, Bangkok 10700
 Tel. : 096-765-8863, 097-765-8864

DRAWING TITLE
DOOR & WINDOW
TYPICAL STANDARD DETAIL

REVISION		
NO.	DATE	DESCRIPTION

DATE :
 DESIGN & DWN : **MANIT SRSANGSUNG**
 CHKD. BY :
 SCALE : **1 : 2 (A3)**
 APPROVED BY :
FC-08