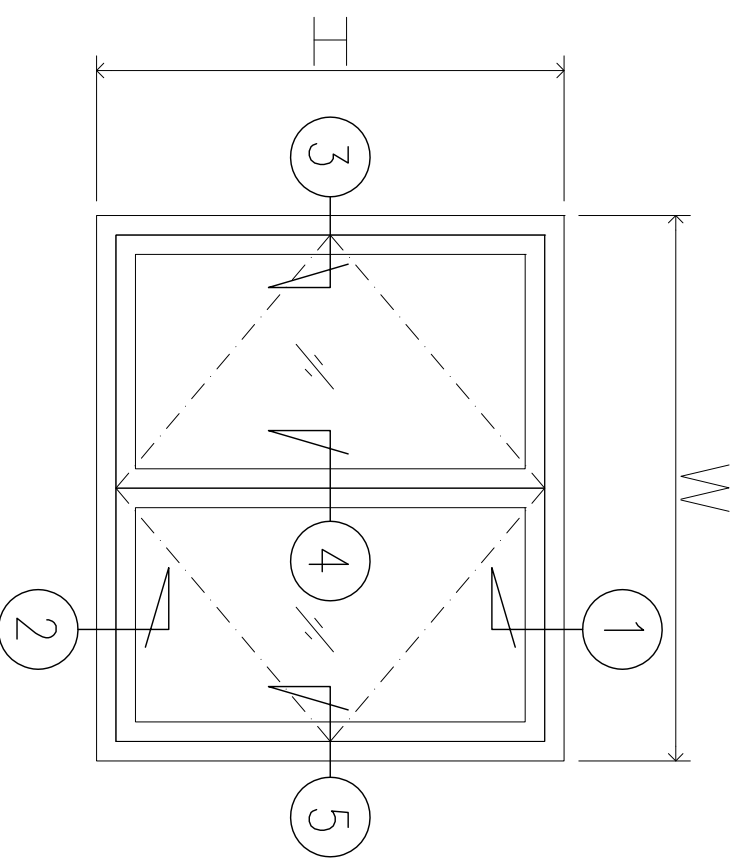
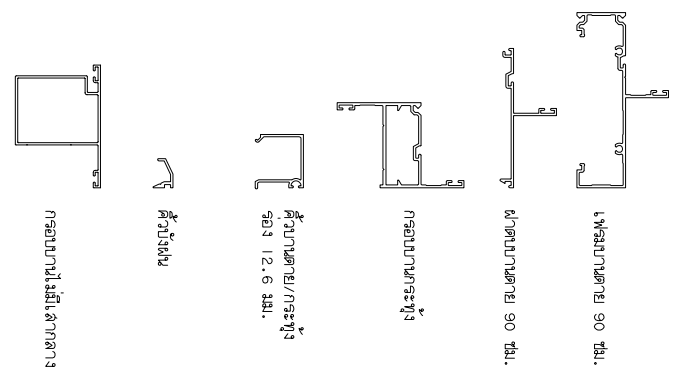
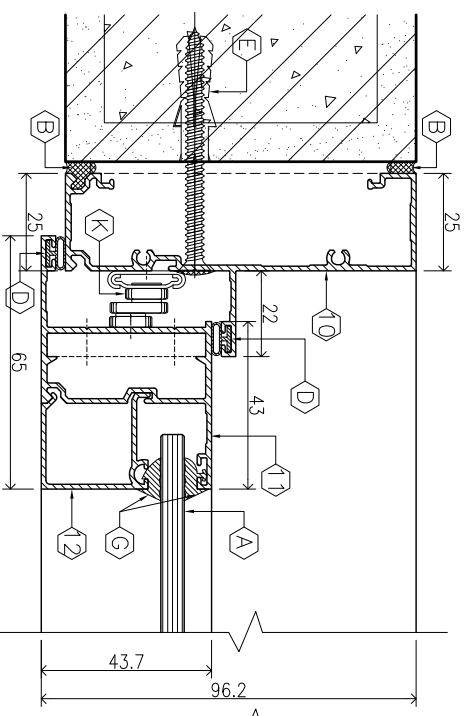


8-111. ปรากฏในคัมภีร์และศาสนา

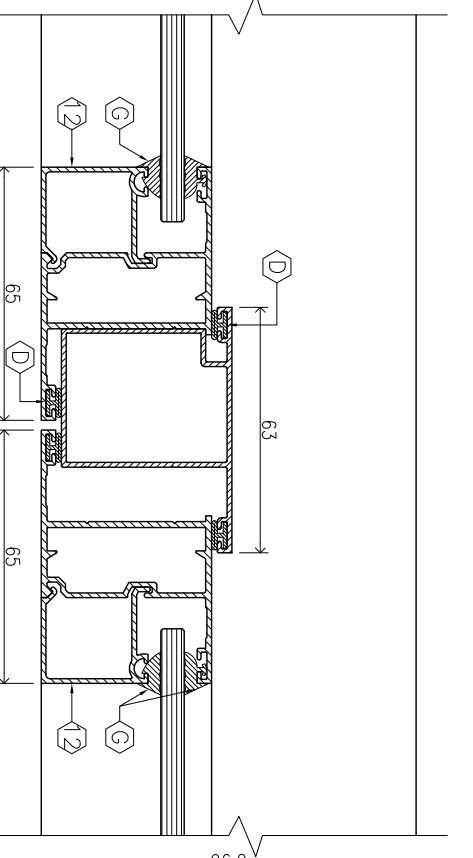
ALUMINIUM EXTRUDED SECTION ALLOY 6063-T5	
①	HEAD SECTION
②	TRANSOM SECTION
③	TOPRAIL SECTION
④	BOTTOMRAIL SECTION
⑤	SILL SECTION
⑥	LOCKER STILE SECTION
⑦	INNER LOCKER STILE SECTION
⑧	STILE SECTION
⑨	MULLION SECTION
⑩	JAMB SECTION
⑪	SASH SECTION
⑫	BEAD SECTION



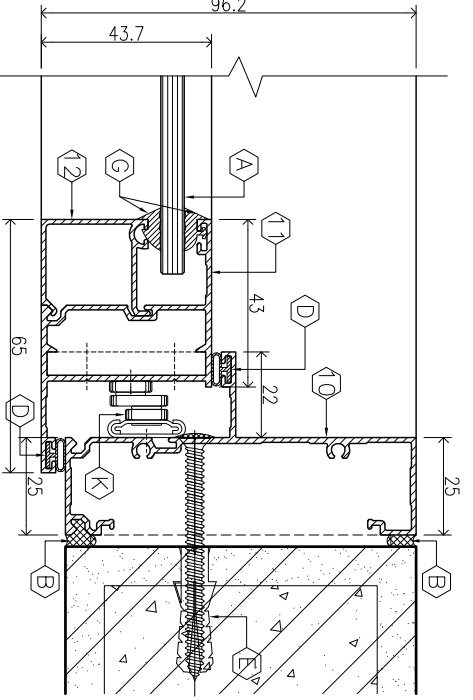
TYPICAL CASEMENT WINDOW ELEVATION



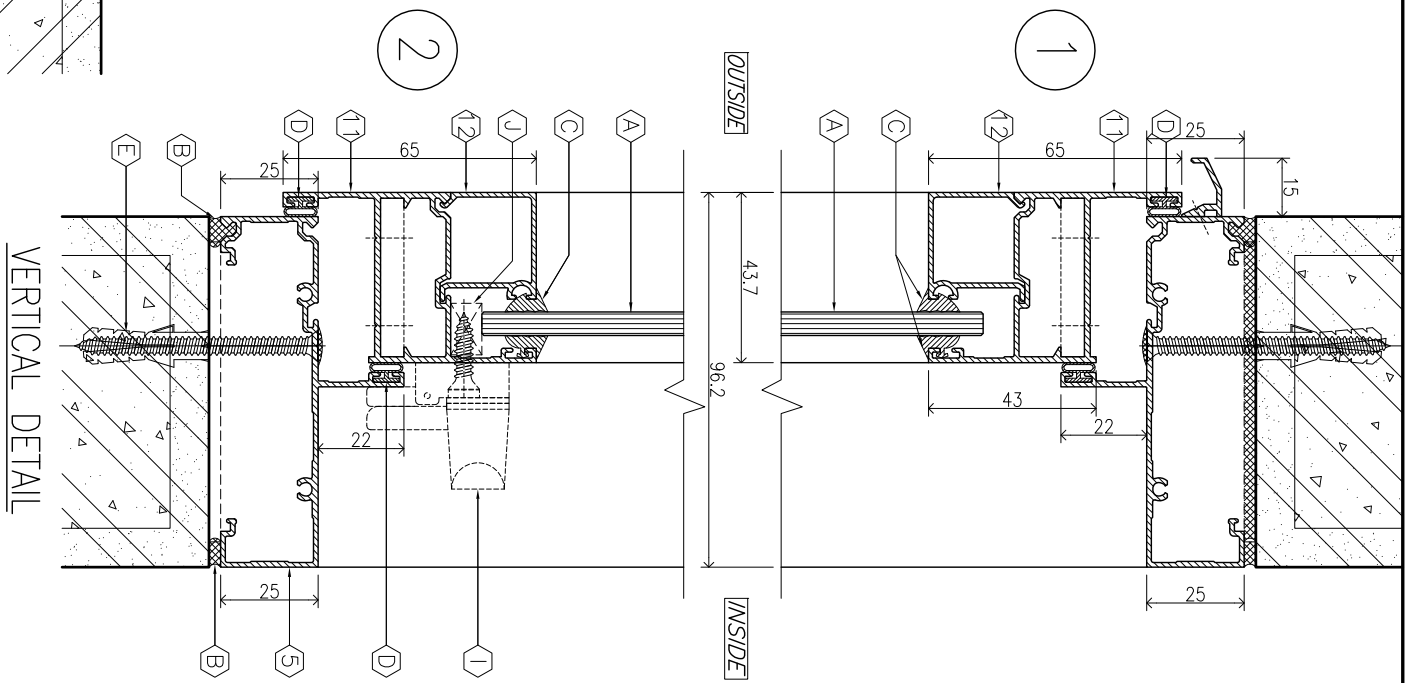
3



4



5



VERTICAL DETAIL

HORIZONTAL DETAIL

PROJECT : STANDARD PROJECT		OWNER :		ALUMINIUM CONTRACTOR :		DRAWING TITLE		REVISION		DATE :		APPROVED BY	
LOCATION :		LOCATION :		ALUMINIUM ORN (THAILAND) CO.,LTD. 27/28 Moo 11, Bangna-Boonrat Rd., Bangna District, Bangkok 10700, Thailand Tel. : 096-765-8863, 093-765-8864		DOOR & WINDOW TYPICAL STANDARD DETAIL		NO. DATE DESCRIPTION APPROVED		DESIGN & DWN : MANIT SRISANGSUNG CHKD. BY : SCALE : 1 : 2 (A3)		DRAWING NO. FC-01A	