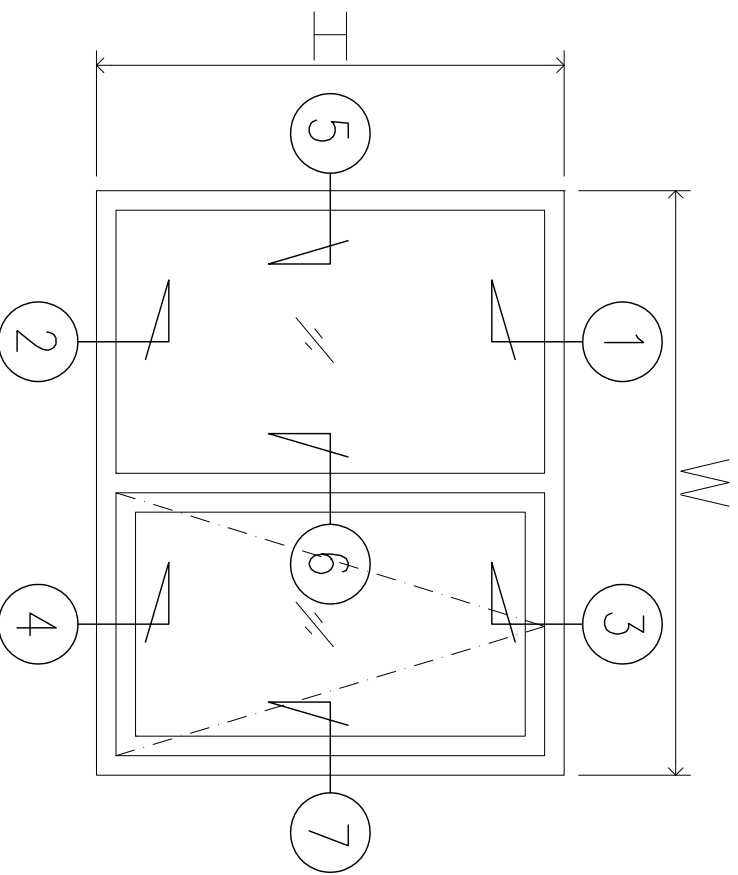
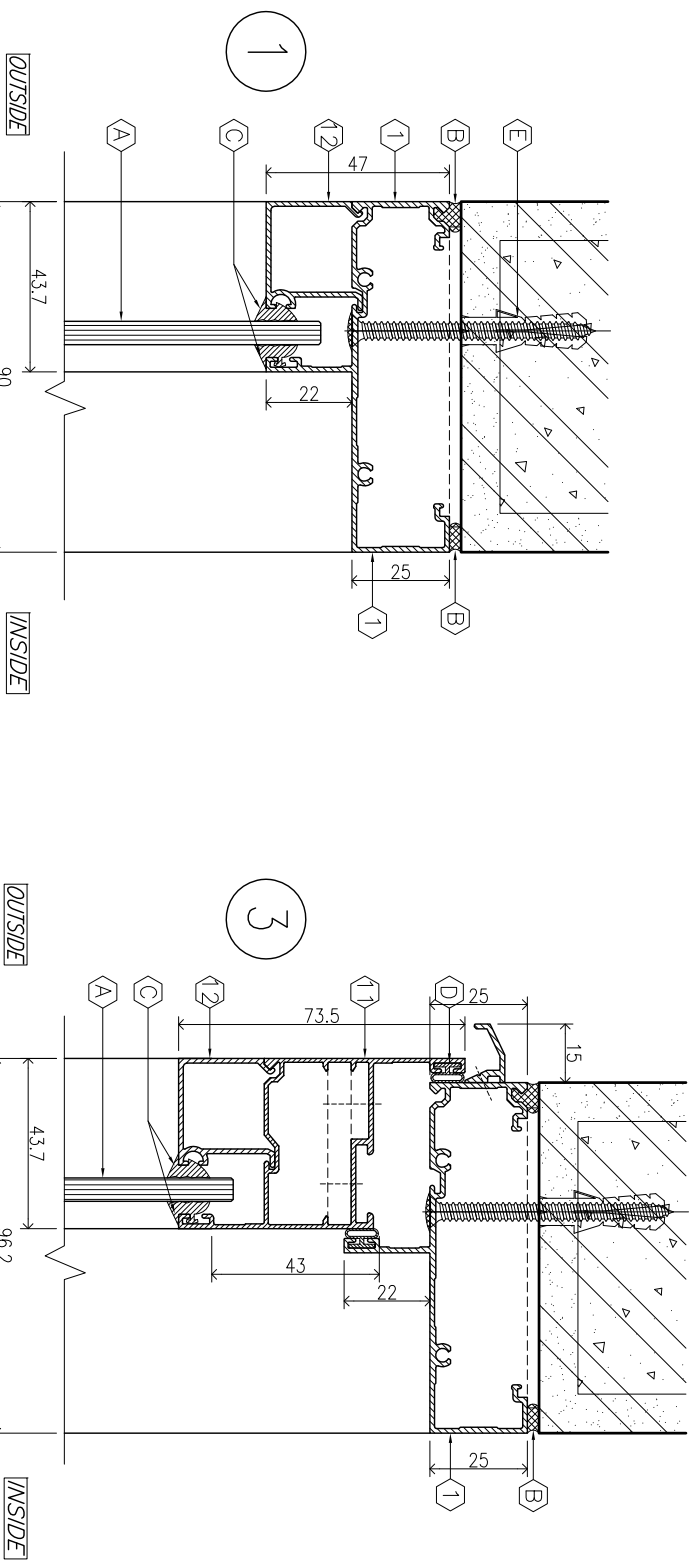


ALUMINIUM EXTRUDED SECTION ALLOY 6063-T5	
1	HEAD SECTION
2	TRANSOM SECTION
3	TOPRAIL SECTION
4	BOTTOMRAIL SECTION
5	SILL SECTION
6	LOCKER STILE SECTION
7	INNER LOCKER STILE SECTION
8	STILE SECTION
9	MULLION SECTION
10	JAMB SECTION
11	SASH SECTION
12	BEAD SECTION

ACCESSORIES DOOR & WINDOW	
A	GLASS PANELS
B	SILICONE SEALANT
C	GLAZING GASKET
D	BUBBLE GASKET
E	SCREW & NYLON PLUG
F	WOOL PILE
G	ROLLER SLIDING
H	HANDLE LOCK
I	CAM LOCK
J	SETTING BLOCK

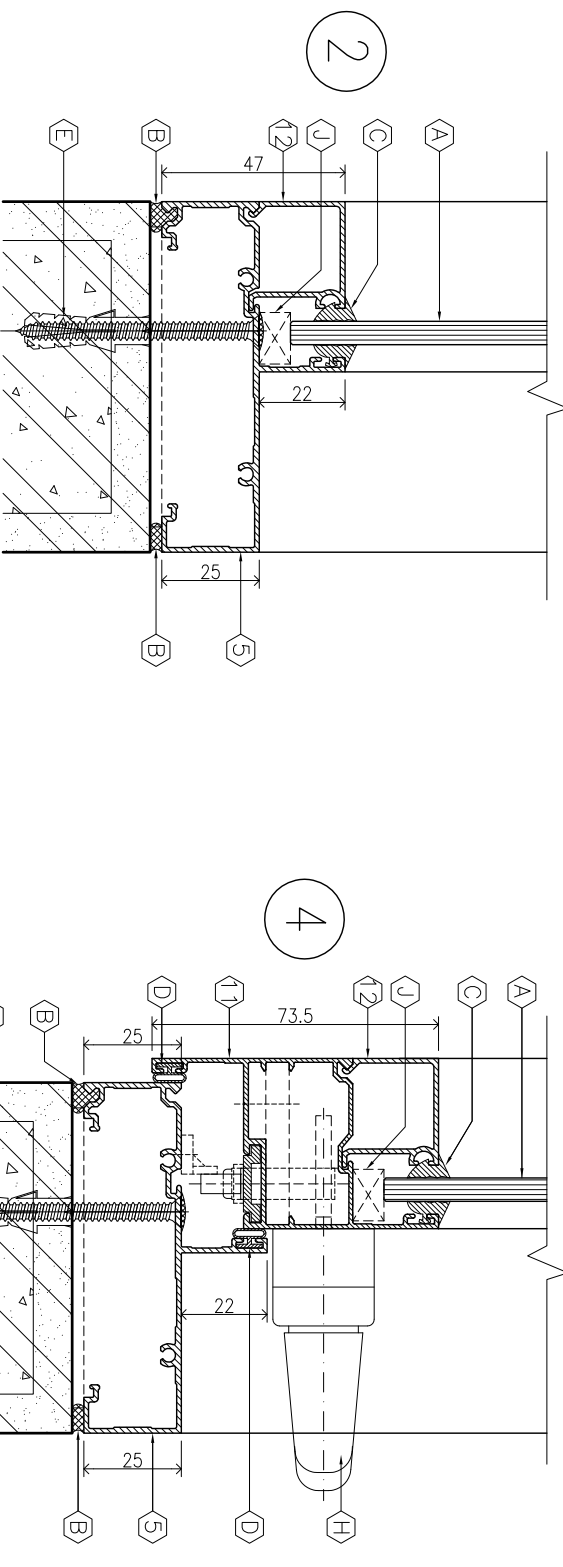


TYPICAL FIXED & CASEMENT WINDOW ELEVATION



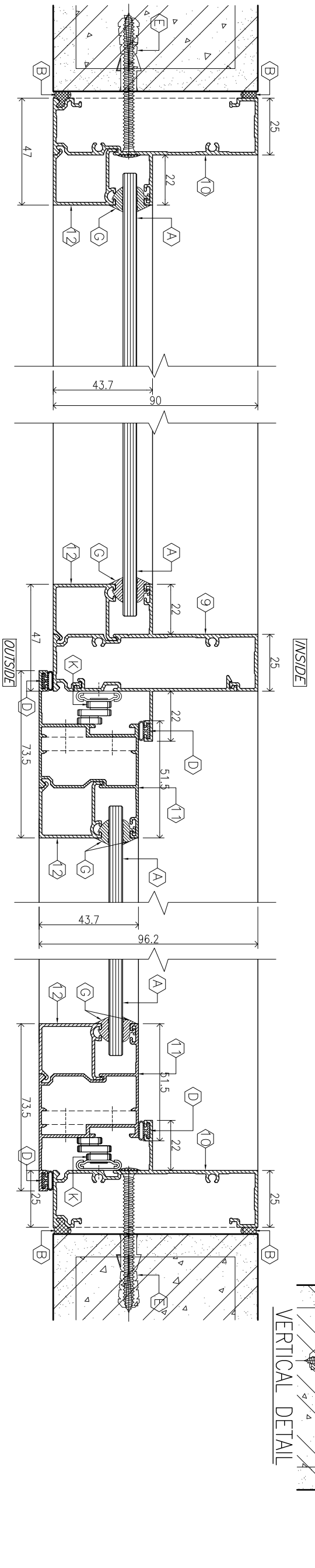
1

3



2

4




5

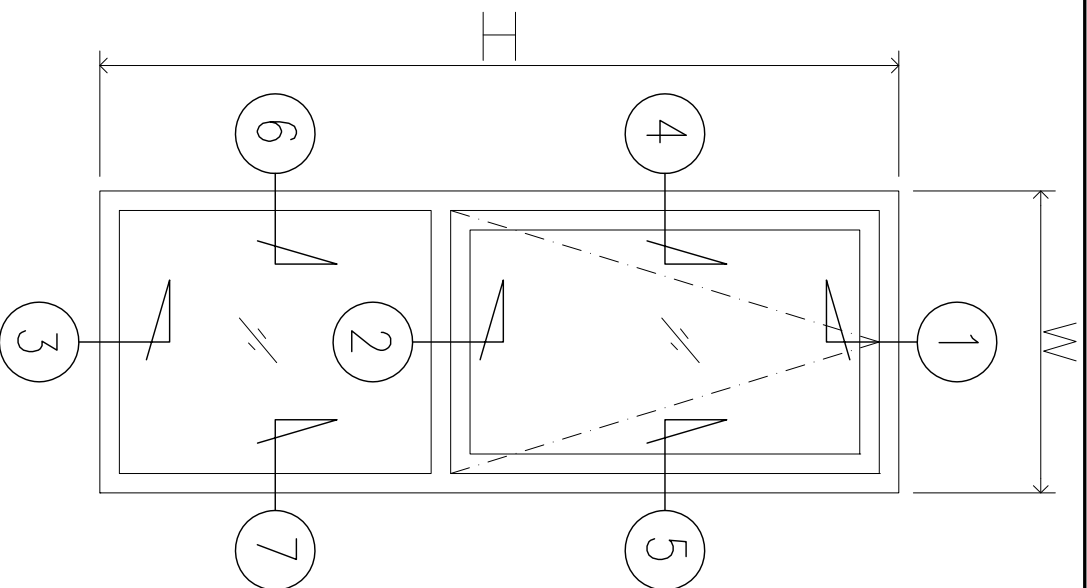
6

7

VERTICAL DETAIL

HORIZONTAL DETAIL

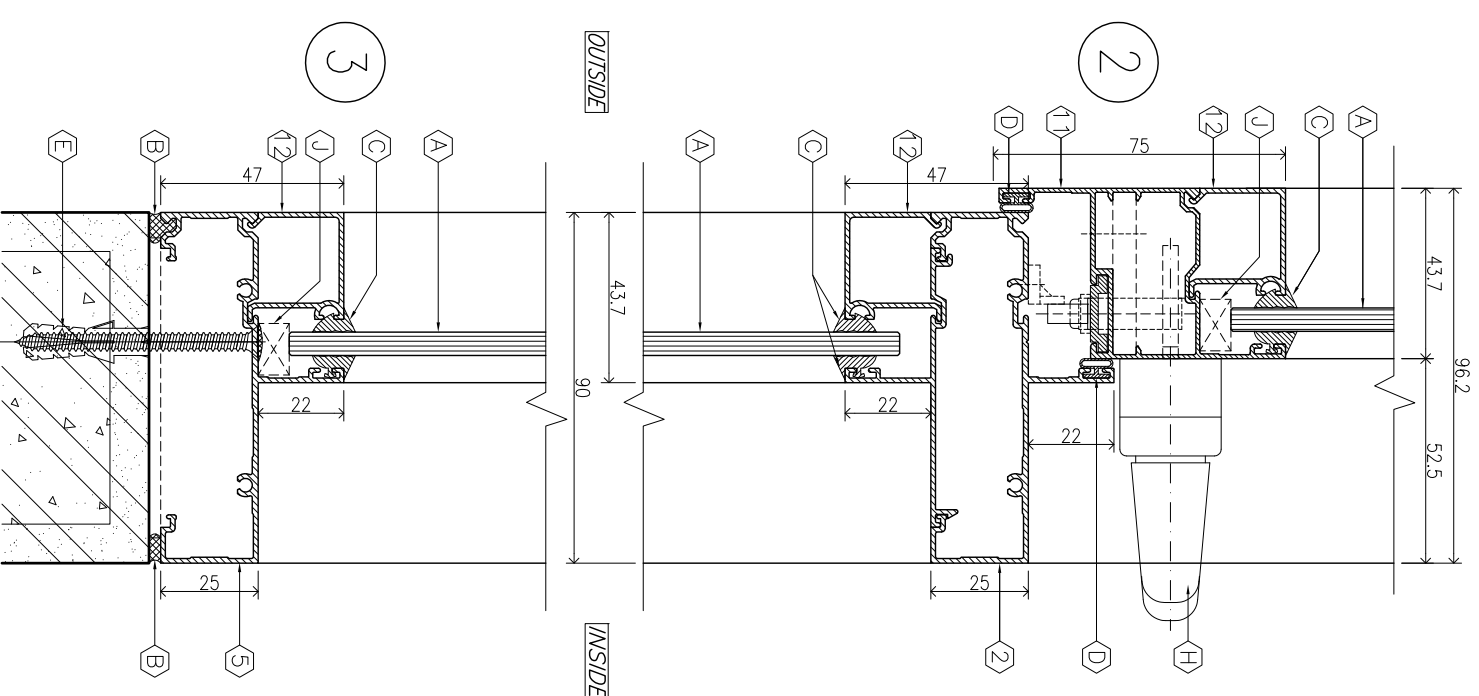
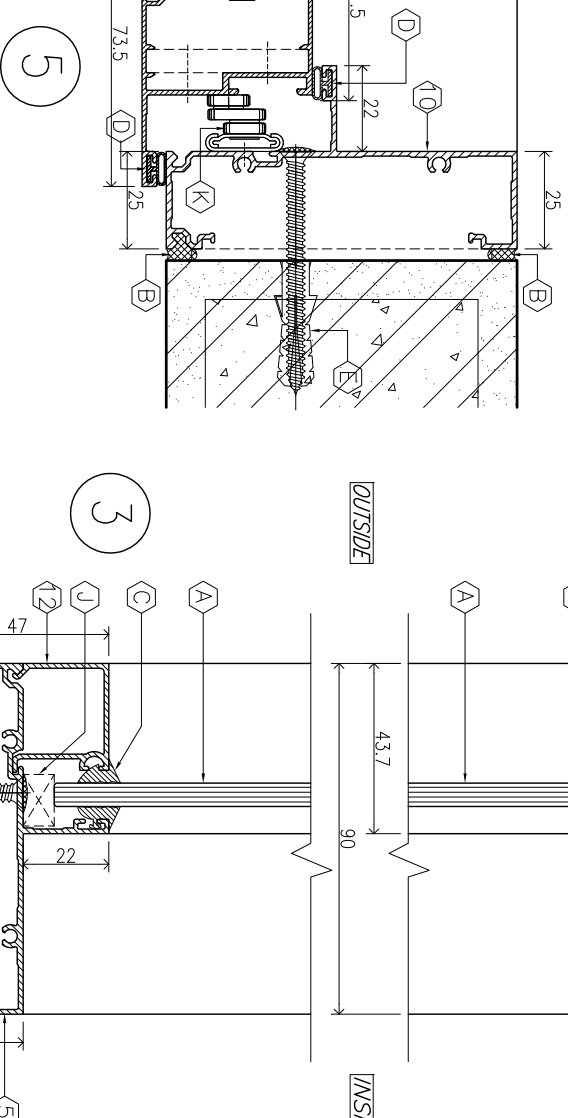
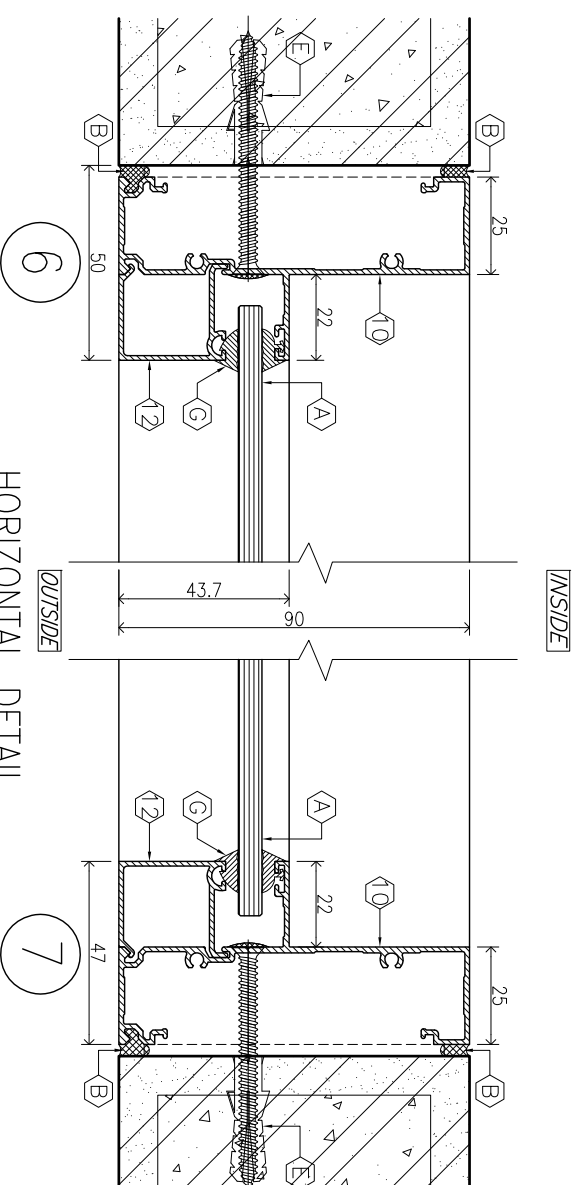
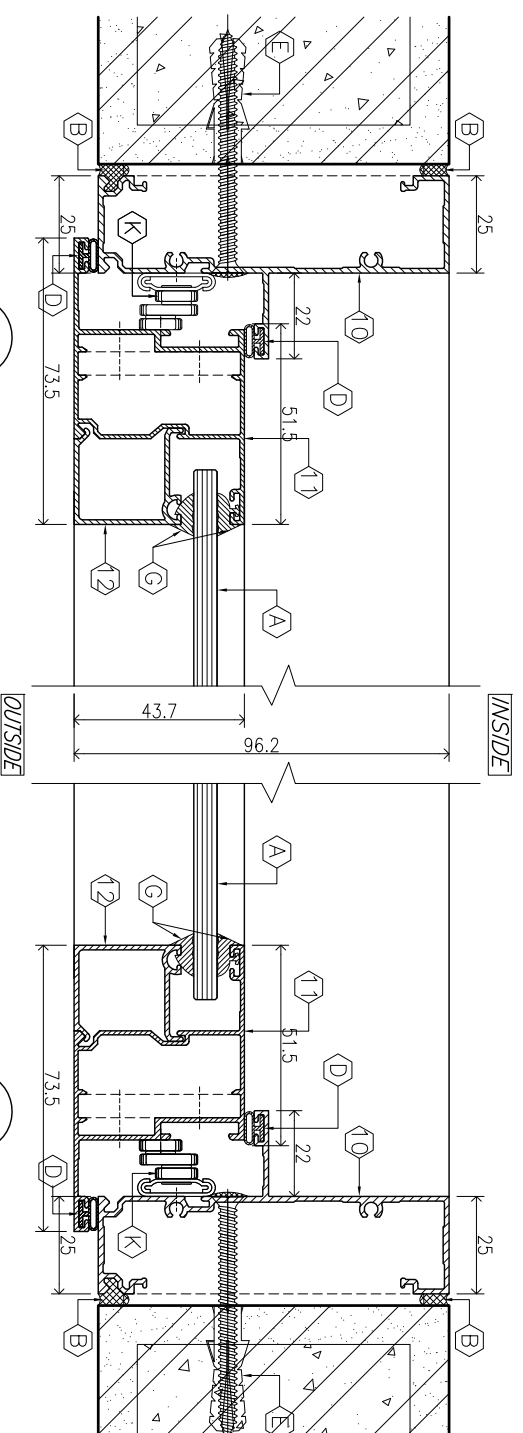
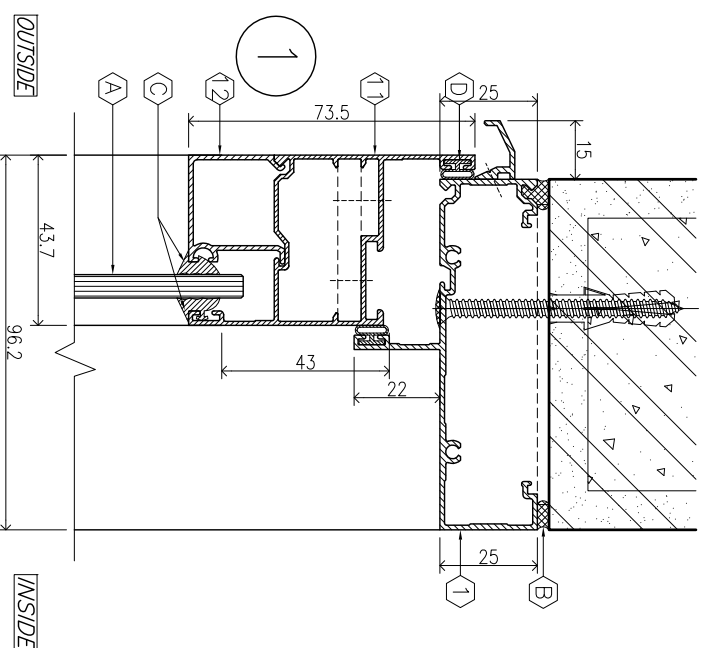
PROJECT : STANDARD PROJECT	OWNER :	ALUMINIUM CONTRACTOR :	 ALUMINIUM ORN (THAILAND) CO.,LTD. 27/28 Moo 11, Bangna-Boonrat Road Bangna Suburb, Bangkok 10700 Tel. : 096-765-8863, 097-765-8864	DRAWING TITLE DOOR & WINDOW TYPICAL STANDARD DETAIL	<table border="1"> <thead> <tr> <th>NO.</th> <th>DATE</th> <th>REVISION DESCRIPTION</th> <th>APPROVED</th> </tr> </thead> <tbody> <tr><td> </td><td> </td><td> </td><td> </td></tr> <tr><td> </td><td> </td><td> </td><td> </td></tr> <tr><td> </td><td> </td><td> </td><td> </td></tr> </tbody> </table>	NO.	DATE	REVISION DESCRIPTION	APPROVED												
NO.	DATE	REVISION DESCRIPTION	APPROVED																		
LOCATION :	LOCATION :	DATE :	DESIGN & DWG : MANIT SRISANGSUNG ML.4193	APPROVED BY	<table border="1"> <thead> <tr> <th>NO.</th> <th>DATE</th> <th>REVISION DESCRIPTION</th> <th>APPROVED</th> </tr> </thead> <tbody> <tr><td> </td><td> </td><td> </td><td> </td></tr> <tr><td> </td><td> </td><td> </td><td> </td></tr> <tr><td> </td><td> </td><td> </td><td> </td></tr> </tbody> </table>	NO.	DATE	REVISION DESCRIPTION	APPROVED												
NO.	DATE	REVISION DESCRIPTION	APPROVED																		
		SCALE : 1 : 2 (A3)	DRAWING NO. FC-01A																		



TYPICAL FIXED & CASEMENT WINDOW ELEVATION

SYMBOL	DESCRIPTION
①	ALUMINIUM EXTRUDED SECTION ALLOY 6063-T5
②	HEAD SECTION
③	TRANSOM SECTION
④	TOPRAIL SECTION
⑤	BOTTOMRAIL SECTION
⑥	SILL SECTION
⑦	LOCKER STILE SECTION
⑧	INNER LOCKER STILE SECTION
⑨	STILE SECTION
⑩	MULLION SECTION
⑪	JAMB SECTION
⑫	SASH SECTION
⑬	BEAD SECTION

SYMBOL	DESCRIPTION
A	ACCESSORIES DOOR & WINDOW
B	GLASS PANELS
C	SILICONE SEALANT
D	GLAZING GASKET
E	BUBBLE GASKET
F	SCREW & NYLON PLUG
G	Wool Pile
H	ROLLER SLIDING
I	HANDLE LOCK
J	CAM LOCK
K	SETTING BLOCK



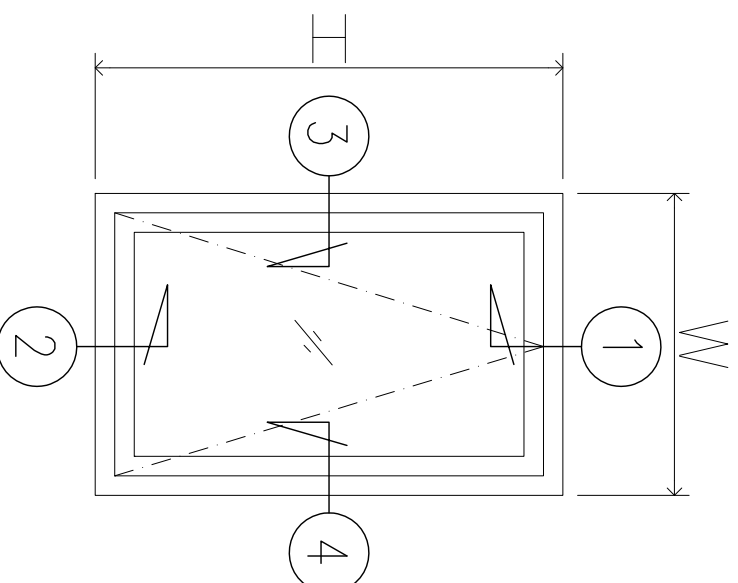
HORIZONTAL DETAIL

VERTICAL DETAIL

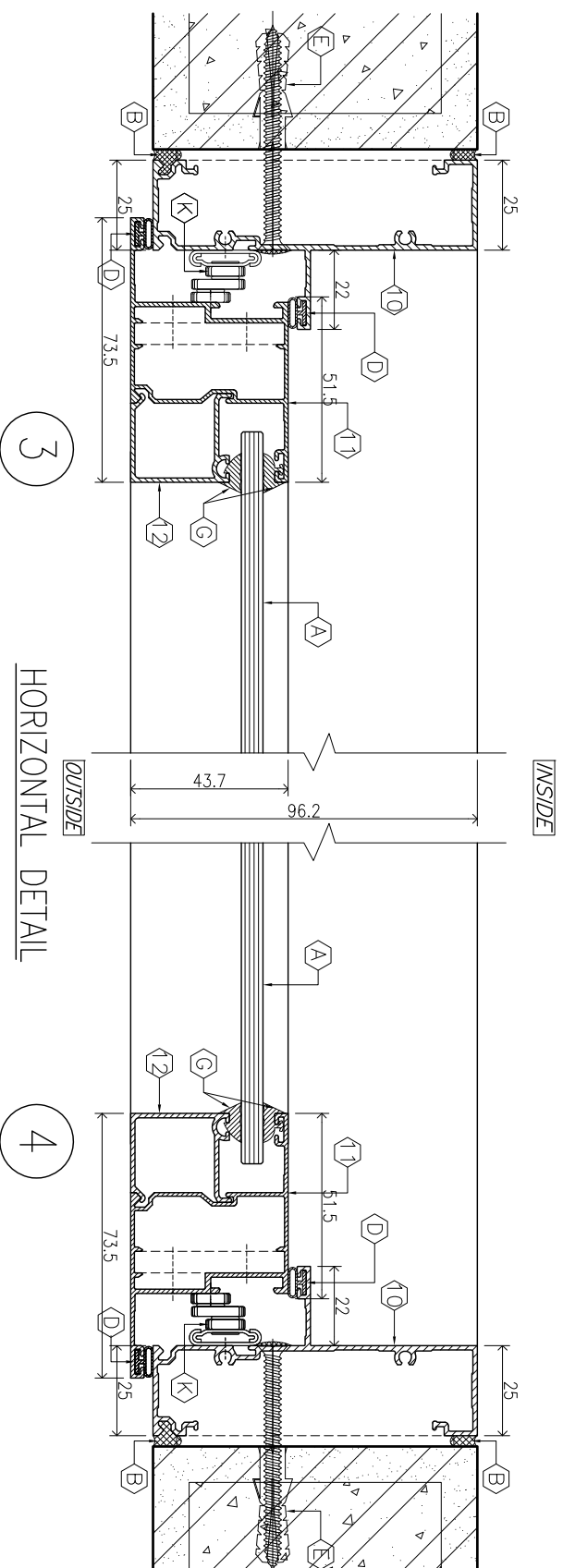
PROJECT : STANDARD PROJECT	OWNER :	ALUMINIUM CONTRACTOR : ORM ALUMINIUM ORN (THAILAND) CO.,LTD. 27/28 Moo 11, Rama 9 Road, Bangkok 10310, Thailand Tel. : 06-755-8861, 097-755-8864	DRAWING TITLE DOOR & WINDOW TYPICAL STANDARD DETAIL	NO.	DATE	REVISION DESCRIPTION	APPROVED	DATE :	DESIGN & DWN : MANIT SRISANGSUNG ML.4193	APPROVED BY
LOCATION :	LOCATION :								CHKD. BY :	
									SCALE : 1 : 2 (A3)	DRAWING NO. FC-03A

SYMBOL	ALUMINIUM EXTRUDED SECTION ALLOY 6063-T5
①	HEAD SECTION
②	TRANSOM SECTION
③	TOPRAIL SECTION
④	BOTTOMRAIL SECTION
⑤	SILL SECTION
⑥	LOCKER STILE SECTION
⑦	INNER LOCKER STILE SECTION
⑧	STILE SECTION
⑨	MULLION SECTION
⑩	JAMB SECTION
⑪	SASH SECTION
⑫	BEAD SECTION

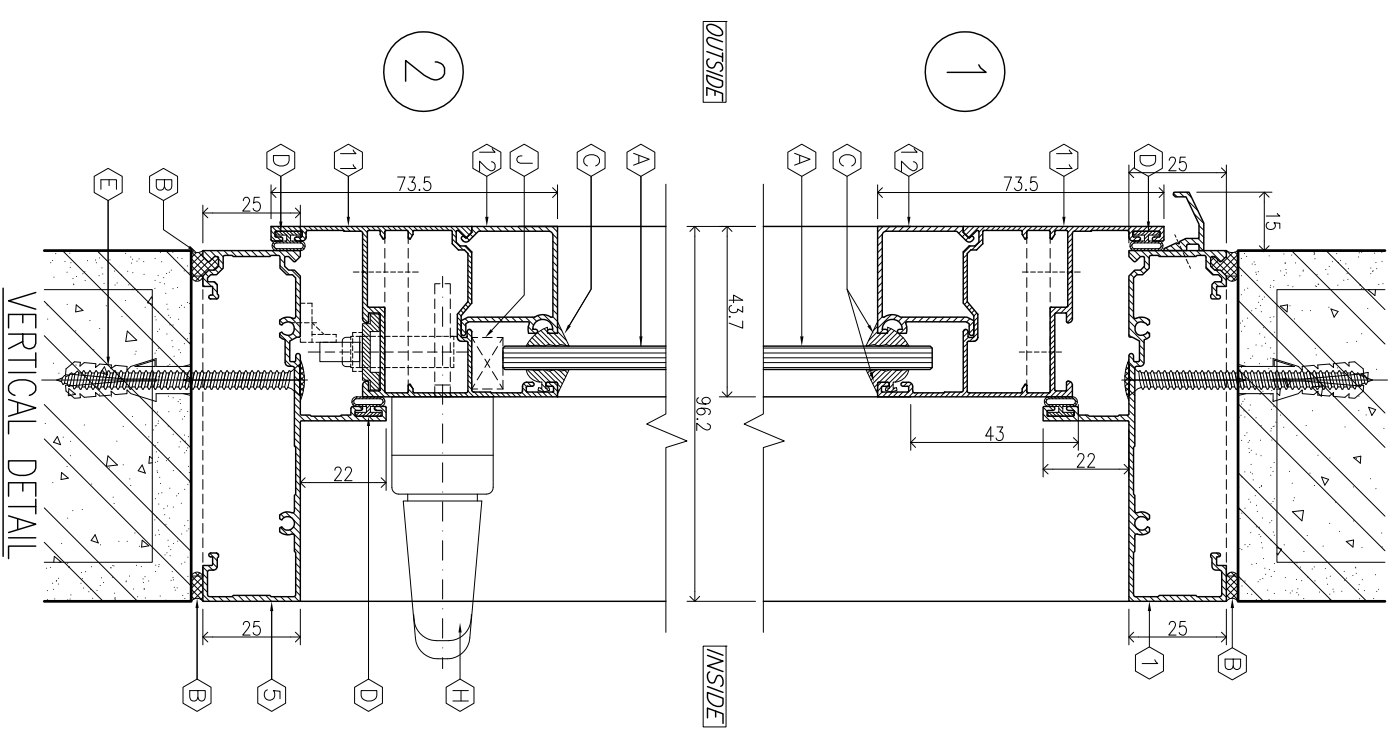
SYMBOL	ACCESSORIES DOOR & WINDOW
Ⓐ	GLASS PANELS
Ⓑ	SILICONE SEALANT
Ⓒ	GLAZING GASKET
Ⓓ	BUBBLE GASKET
Ⓔ	SCREW & NYLON PLUG
Ⓕ	WOOL PILE
Ⓖ	ROLLER SLIDING
Ⓗ	HANDLE LOCK
Ⓘ	CAM LOCK
Ⓚ	SETTING BLOCK



TYPICAL CASEMENT WINDOW ELEVATION



HORIZONTAL DETAIL



VERTICAL DETAIL

PROJECT :
STANDARD PROJECT
LOCATION :

OWNER :
LOCATION :

ALUMINIUM CONTRACTOR :
ORM
ALUMINIUM ORN (THAILAND) CO.,LTD.
27/28 Moo 11, Bangma Roadtype
Bangma Sub-township, Bangma District,
Bangkok 10140, Thailand
Tel. : 096-765-8863, 097-765-8864

DRAWING TITLE
**DOOR & WINDOW
TYPICAL STANDARD DETAIL**

NO.	DATE	REVISION DESCRIPTION	APPROVED

DATE :
DESIGN & DWN : MANIT SRISANGSUNG
ML.4193
CHKD. BY :
SCALE : 1 : 2 (A3)
APPROVED BY
DRAWING NO.
FC-04A

